

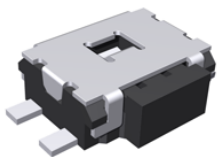
TACT SWITCH

Operation: SMT/贴片卧式 小型 轻触开关 [操作力可定制]



LTEM NO.: TS-1114S-** (Series)

(L3.50mm × W4.70mm × H1.65mm TACT-SWITCH)



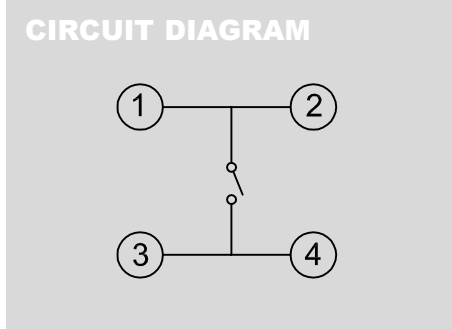
Technical parameter

LEVEL		A[better product]	B[average product]
PROJECT	Contact Rating		25mA, 24V DC
Electrical	Initial Contact Resistance		50mΩ max.
	Insulation Resistance	100MΩ min. 500V DC	Skey/PD: 100MΩ min. 300V DC
Properties	Withstand Voltage	300V AC for 1 minute	250 V AC for 1 minut
	There No Load	100,000 Cycles	65,000 Cycles
Durable Performance	Rated Load	85,000 Cycles	50,000 Cycles
	Storage temp.	-40°C~+85°C(Operating Temp:)	
Operating Force		1.6 / 2.6N. (1N.=100gram-force)	
Heat Rrsistance		IR Reflow: 255°C, 5sec. Manual: 350°C, 3sec.	

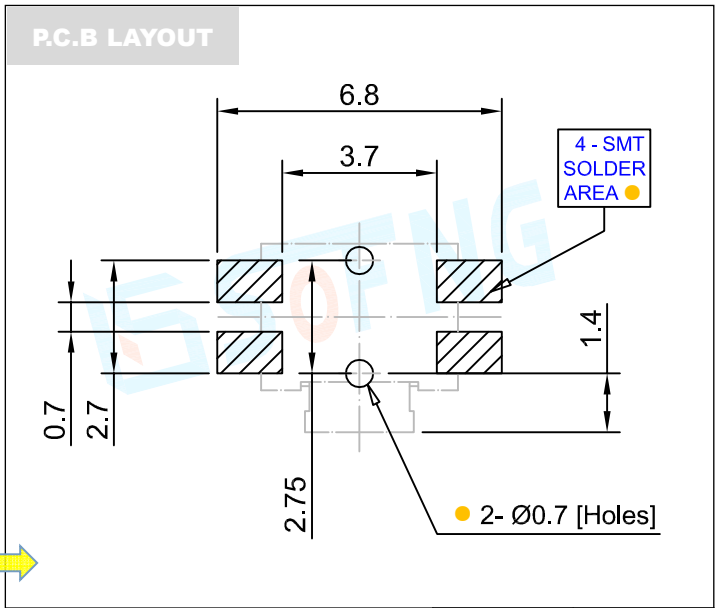
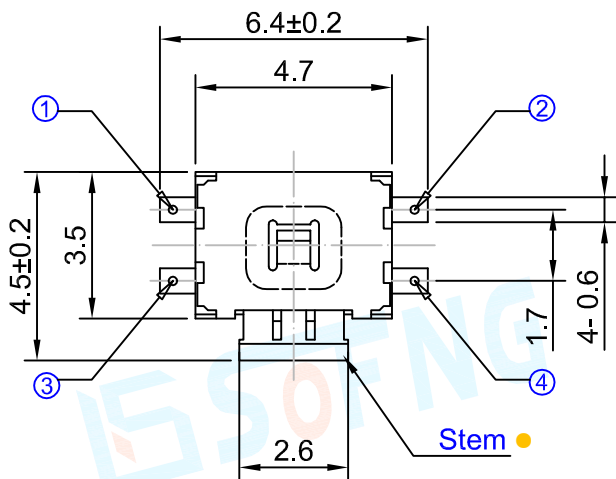
Material declaration

No.	NAME	Description
① A	拨柄	PA6T 耐高温尼龙
② B	基座	LCP 30%(Gray)耐高温塑胶 UL94V-0
③ C	盖板	不锈钢 Q235-A t=0.20mm
④ D	簧片	单面覆银&/不锈钢 SUS304
⑤ E	嵌件	覆银&C5191R-H 磷铜 t=0.20mm
⑥ F	覆膜	KTC 聚酰亚胺 Polyimide

- 表面贴装 SMT
- 側向操作 LATERAL
- 精密部品 NICETY
- 可靠 STABILIZE
- 適合環保 RoHS



Unit:mm



DECIMALS	ANGLES
X : ±0.20	X.° : ±1.5°
.XX : ±0.10	XX.° : ±1.0°
.XXX : ±0.05	.XXX.° : ±0.5°

