

Operation: DIP/直立插件式 中小型 轻触开关 [高度/力度可定制]



LTEM NO.: TS-1109-*** (Series)

(L4.5mm × W4.5mm × H 2.9mm TACT-SWITCH)



Technical parameter

PROJECT	LEVEL	A[better product]	B[average product]
Electrical	Contact Rating	25mA, 24V DC	
Properties	Initial Contact Resistance	50mΩ max.	
Durable Performance	Insulation Resistance	100MΩ min.500V DC	Skey/PD: 100MΩ min.300V DC
	Withstand Voltage	500V AC for 1 minute	350 V AC for 1 minut
Durable Performance	There No Load	100,000 Cycles	65,000 Cycles
	Rated Load	85,000 Cycles	50,000 Cycles
	Storage temp.	-35℃~+75℃(Operating Temp:)	
	Operating Force	1.6 / 2.6N. (1N.=100gram-force)	
	Heat Rrsistance	IR Reflow:245℃, 5sec. Manual:350℃, 3sec.	

Material declaration

No.	NAME	Description
① A	拨柄	PA6T (Black)热塑性
② B	基座	PA6T (Black)热塑性
③ C	盖板	不锈钢 Q235-A
④ D	簧片	镀银&磷青铜 C5191/不锈钢 SUS304
⑤ E	嵌件	镀银&黄铜 H59

表面插装 DIP

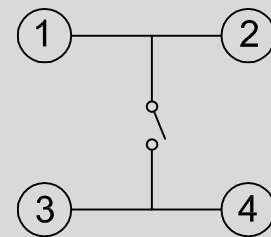
正向操作 DOWN

精密部品 NICETY

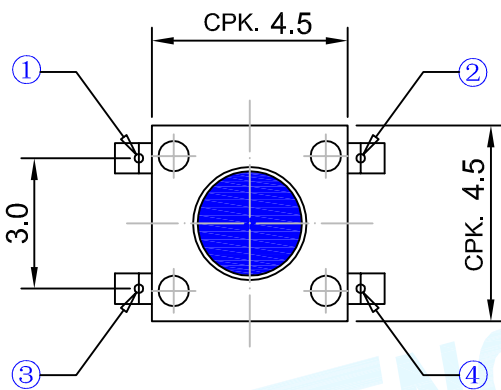
可靠 STABILIZE

適合環保 RoHS

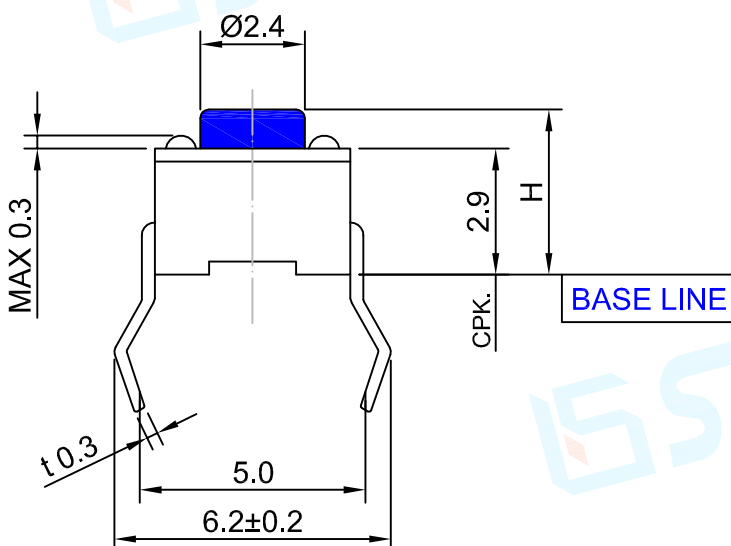
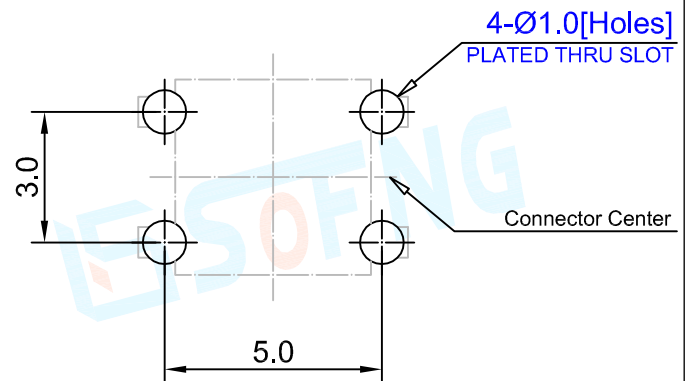
CIRCUIT DIAGRAM



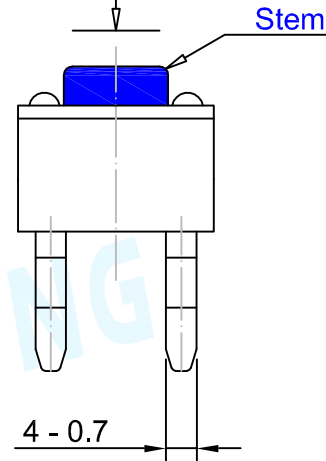
Unit:mm



P.C.B LAYOUT



TRAVEL:0.25
DOWN



H
3.8
4.0
4.3
4.5
5.0
5.5
6.0
6.5
7.0
7.5
8.0