

Housing Material: LCP UL94V-0, black
 Contact Terminal: PHOSPHOR BRONZE
 Metallic Shell: SUS

U255-05XN-4BH73-XS

S:SUS
 S:Scrolls F:Flat

1:AU 1U"
 5:AU 15U"
 6:AU 30U"

广东星坤科技股份有限公司

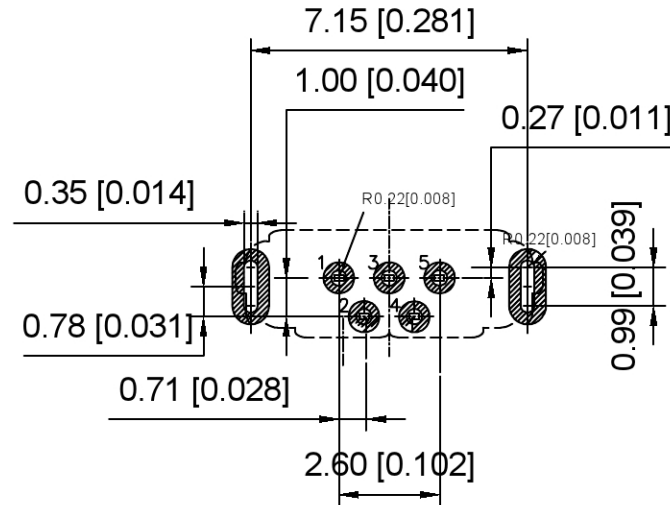
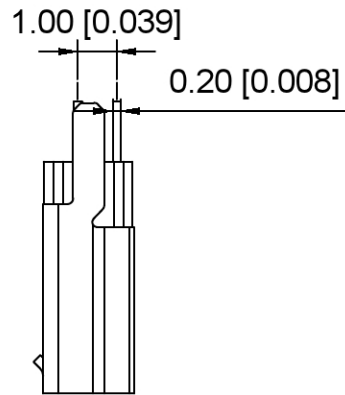
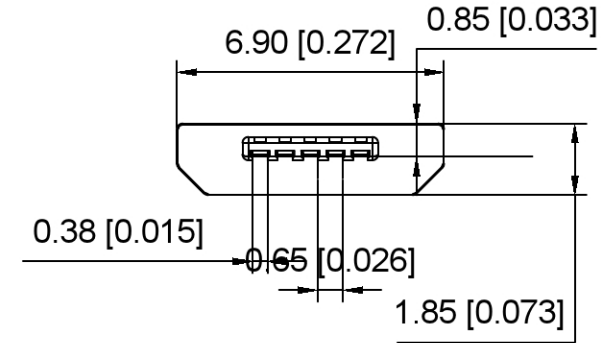
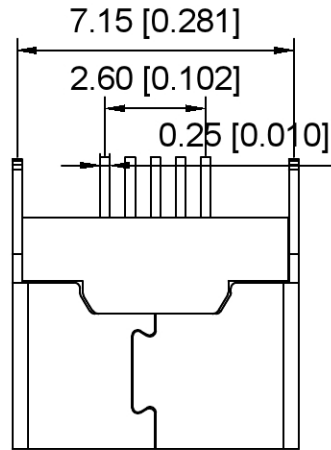
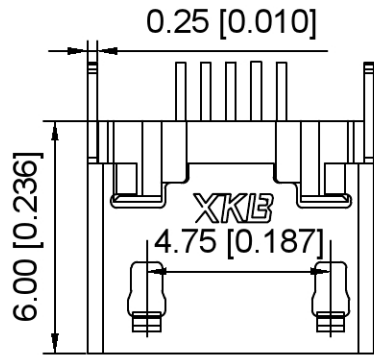
生	日期
发	日期
文件	工程章

REVISIONS	DATE	REVISED	APPROVED	UNSPECIFIED TOLERANCES
ANGLAR				±5°
L ≤ 4				±0.2
4 < L ≤ 16				±0.3
16 < L ≤ 63				±0.4
L > 63				±0.5

DSND	DATE	SCALE: N/A
DWN	DATE	VIEW:
CHKD	DATE	UNIT: mm/in
APPD	DATE	SIZE: A4

MODEL TYPE:	MICRO USB
PART NO.:	
DWG NO.:	U254-05XN-4BH73-SS
WEIGHT	1.0g
SHEET	1/1
REVISION	A0

XKB INDUSTRIAL PRECISION CO., LIMITED



Housing Material: LCP UL94V-0, black
 Contact Terminal: PHOSPHOR BRONZE
 Metallic Shell: SUS

U255-05XN-4BH73-XS

S:SUS
 S:Scrolls F:Flat

1:AU 1U"
 5:AU 15U"
 6:AU 30U"

广东星坤科技股份有限公司

生	日期
發	日期
ΔX	
MARK	
文件	工程章

REVISIONS	DATE	REVISED	APPROVED	UNSPECIFIED TOLERANCES
				ANGULAR ±5°
				L ≤ 4 ±0.2
				4 < L ≤ 16 ±0.3
				16 < L ≤ 63 ±0.4
				L > 63 ±0.5

DSND	DATE	SCALE: N/A	MODEL TYPE:
DWN	DATE	VIEW:	MICRO USB
CHKD	DATE	UNIT: mm/in	PART NO.:
APPD	DATE	SIZE: A4	DWG NO.:
			U254-05XN-4BH73-FS
			WEIGHT SHEET REVISION
XKB INDUSTRIAL PRECISION CO., LIMITED			1.0g 1/1 A0