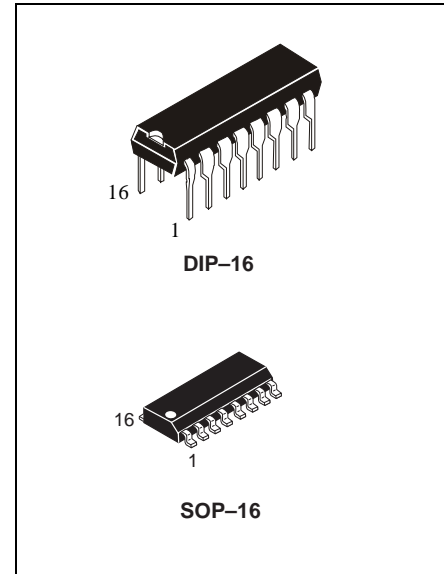


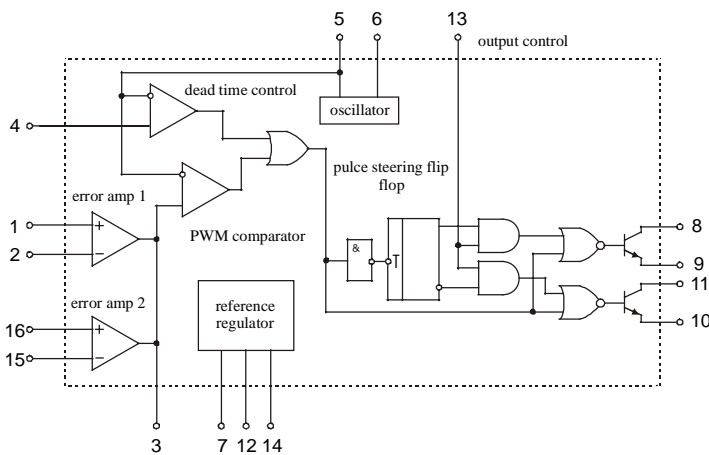
SWITCHMODE Pulse Width Modulation Control Circuit

The TL494 is a fixed frequency, pulse width modulation control circuit designed primarily for SWITCHMODE power supply control.

- Complete Pulse Width Modulation Control Circuitry
- On-Chip Oscillator with Master or Slave Operation
- On-Chip Error Amplifiers
- On-Chip 5.0 V Reference
- Adjustable Deadtime Control
- Uncommitted Output Transistors Rated to 500 mA Source or Sink
- Output Control for Push-Pull or Single-Ended Operation
- Undervoltage Lockout

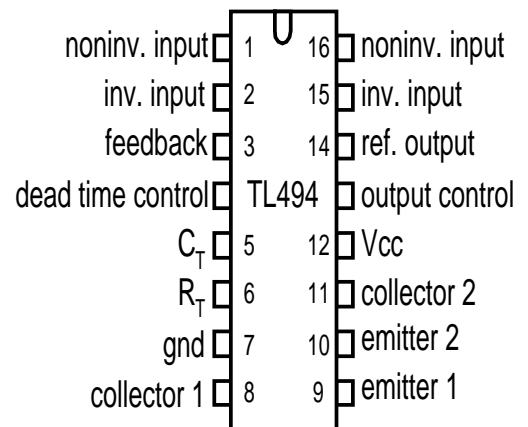


LOGIC DIAGRAM



Pin 7 = GND
Pin 12 = V_{CC}

PIN ASSIGNMENT



MAXIMUM AND RECOMMENDED OPERATING CONDITIONS

Symbol	Parameter	Recommended operating conditions		Maximum ratings		Unit
		Min	Max	Min	Max	
V _{CC}	Supply Voltage	7	40		41	V
V _I	Amplifier Input Voltage	-0.3	V _{CC} -2		V _{CC} +0.3	V
V _O	Collector Output Voltage		40		41	V
I _{OC}	Collector Output Current (Each Transistor)		200		250	mA
T	Storage Temperature Range			-65	150	°C
T	Operating Free-Air Temperature Range	-20	85			°C

ELECTRICAL CHARACTERISTICS (T_A= -20 ...+85°C, f =10kHz)

Symbol	Parameter	Test Conditions	Value		Temperature, °C	Unit
			Min	Max		
V _{ref}	Output voltage	I ₀ =1.0mA V _{CC} =15V	4.75	5.25	-20...+85	V
U _{regin}	Input regulation	V _{CC} =7... 40V I ₀ =1.0mA	-	25	25	mV
U _{regout}	Output regulation	I ₀ =1... 10 mA V _{CC} =15V	-	15	25	mV
ΔV _{ref}	Output voltage change with temperature	I ₀ =1mA V _{CC} =15V	-	1.0	-20...+85	%
I _{SC}	Short circuit output current	V _{ref} =0 t _{sc} < 1s V _{CC} =15 V	-	50		mA
f _{osc}	Frequency	C=0.01μF, R=12kΩ V _{CC} =15V V ₍₀₃₎ =0.7V	6.0	14		kHz
σ _{fosc}	Standard Deviation of Frequency *	V _{CC} =15V V ₍₀₃₎ =0.7V	-	15		%
σ _{fosc(ΔV)}	Frequency Change with Voltage	V _{CC} =7...40 V V ₍₀₃₎ =0.7V	-	10	25	%
σ _{fosc(ΔT)}	Frequency Change with Temperature	C=0.01μF, R _T =12kΩ V _{CC} =15V V ₍₀₃₎ =0.7V	-	2.0	-20...+85	%
I _{IB(2T)}	Input bias current (pin 4)	V _I =0...5.25V V _{CC} =15V V ₍₀₃₎ =0.7V	-	-10		μA
DCmax	Maximum duty cycle (each output)	V _{I(04)} =0V V _{CC} =15V V ₍₀₃₎ =0.7V	45	-		%
V _{THD1}	Input threshold voltage (pin 4) (Zero Duty Cycle)	DCmax=0 V _{CC} =15V V ₍₀₃₎ =0.7V	-	3,3		V

V_{THD2}	Input threshold voltage (pin 4) (Maximum Duty Cycle)	Dcmax $V_{CC}=15V$ $V_{(03)}=0.7V$	0	-		V
------------	---	--	---	---	--	---

Symbol	Parameter	Test Conditions	Value		Temperature, °C	Unit
			Min	Max		
t_{rc}	Output voltage rise time (Common-Emitter)	$V_{CC}=15V$ $V_{(03)}=2.0V$	-	200	-20...+85	ns
t_{fc}	Output voltage fall time (Common-Emitter)	$V_{CC}=15V$ $V_{(03)}=2.0V$	-	100		ns
t_{rf}	Output voltage rise time (Emitter-Follower)	$V_{CC}=V_C=15V$ $V_{(03)}=2.0V$	-	200		ns
t_{ff}	Output voltage fall time (Emitter-Follower)	$V_{CC}=V_C=15V$ $V_{(03)}=2.0V$	-	100	-20...+85	ns
V_{THP}	Input threshold voltage (pin 3)	DCmax=0 $V_{CC}=15V$	-	4.5		V
I_I	Input sink current (pin 3)	$V_{CC}=15V$ $V_{(03)}=0.7V$	0.3	-		mA
V_{IO}	Input offset voltage	$V_{CC}=15V$ $V_{O(03)}=2.5V$	-	10		mV
I_{IO}	Input offset current	$V_{CC}=15V$ $V_{O(03)}=2.5V$	-	250		nA
I_{IB}	Input bias current	$V_{CC}=15V$ $V_{O(03)}=2.5V$	-	1		μA
V_{ICRL}	Low Input common mode voltage range	$V_{CC}=7...40V$	-0.3	-		V
V_{ICRH}	High Input common mode voltage range	$V_{CC}=7...40V$	$V_{CC} - 2$	-		V
A_{VOL}	Open loop voltage amplification	$\Delta V_0=3V$ $V_{CC}=15V$ $V_0=0.5...3.5V$	70	-		dB
f_b	Unity-gain bandwidth	$V_{CC}=15V$	100	-		kHz
CMRR	Common mode rejection ratio	$V_{CC}=40V$	65	-	25	dB
I_{OL}	Output sink current (pin 3)	$V_{CC}=15V$ $V_{O(03)}=0.7V$	0.3	-	-20...+85	mA
I_{OH}	Output source current (pin 3)	$V_{CC}=15V$ $V_{O(03)}=3.5V$	-2.0			mA
$I_{C(off)}$	Collector off-state current	$V_{CE}=V_{CC}=40V$	-	100		μA

$I_{E(off)}$	Emitter off-state current	$V_{CC}=V_C=40V$ $V_E=0V$	-	-100		μA
$V_{SAT(C)}$	Collector - Emitter saturation voltage (Common-Emitter)	$V_{CC}=15V$ $V_E=0V$ $V_{0(03)}=3.0V$ $I_C=200mA$	-	1.3		V
$V_{SAT(E)}$	Collector - Emitter saturation voltage (Emitter-follower)	$V_{CC}=V_C=15V$ $I_E=-200mA$ $V_{0(03)}=3.0V$	-	2.5	25	V
				2.9	-20...+85	
I_{OCH}	Output control input current	$V_{CC}=15V$ $V_{0(03)}=0.7V$	-	3.5	25	mA
I_{CC15}	Standby Supply Current at V_{CC} 15V	$V_{CC}=15V$	-	10		mA

Symbol	Parameter	Test Conditions	Value		Temperature, °C	Unit
			Min	Max		
I_{CC40}	Standby Supply Current at V_{CC} 40V	$V_{CC}=40V$	-	15	25	mA
I_{CCA}	Average Supply Current	$V_{CC}=15V$ $V_{0(03)}=0.7V$ $V_{0(04)}=2.0V$	-	17	-20...+85	mA

Standard deviation is a measure of the statistical distribution about the mean as derived from the formula

$$\sigma = \sqrt{\frac{\sum_{n=1}^N (X_n - \bar{X})^2}{N - 1}}$$

Important statement:

Huaguan Semiconductor Co,Ltd. reserves the right to change the products and services provided without notice. Customers should obtain the latest relevant information before ordering, and verify the timeliness and accuracy of this information.

Customers are responsible for complying with safety standards and taking safety measures when using our products for system design and machine manufacturing to avoid potential risks that may result in personal injury or property damage.

Our products are not licensed for applications in life support, military, aerospace, etc., so we do not bear the consequences of the application of these products in these fields.

Our documentation is only permitted to be copied without any tampering with the content, so we do not accept any responsibility or liability for the altered documents.