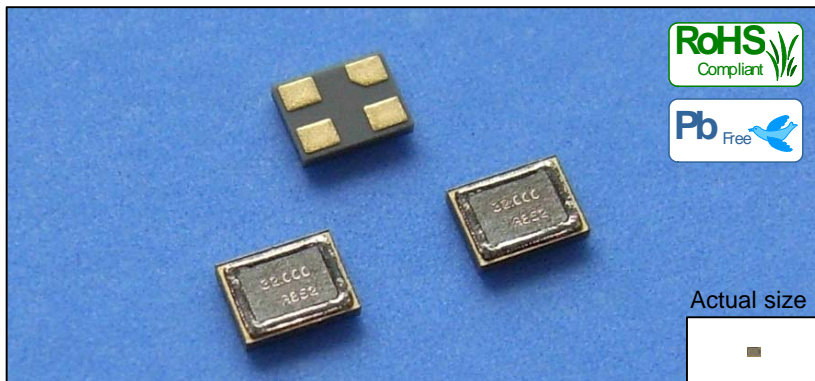


# SURFACE MOUNT CRYSTAL FCX-07L

**NEW PRODUCTS!**



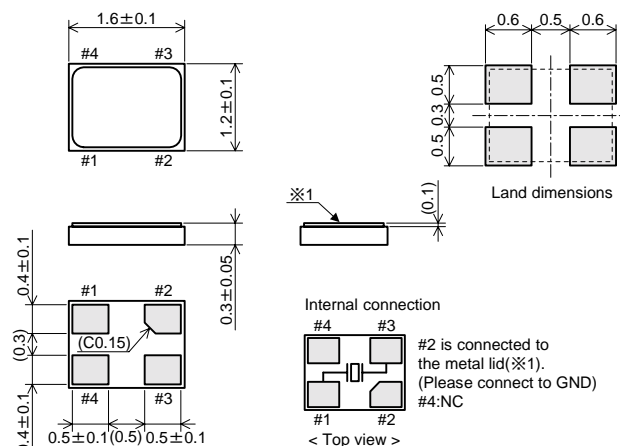
Actual size

## Features

- Compact design (1.6mm×1.2mm×0.35mm Max., Weight : 2.5mg).
- Ceramic package and metal lid assures extreme accuracy and high reliability by electron beam sealing.
- Accommodating high precision frequency and temperature characteristics.
- Lead-free soldering is available.
- Applications : Mobile phone, W-LAN, Bluetooth, Tuner module

## Dimensions

Unit: mm



## Specifications

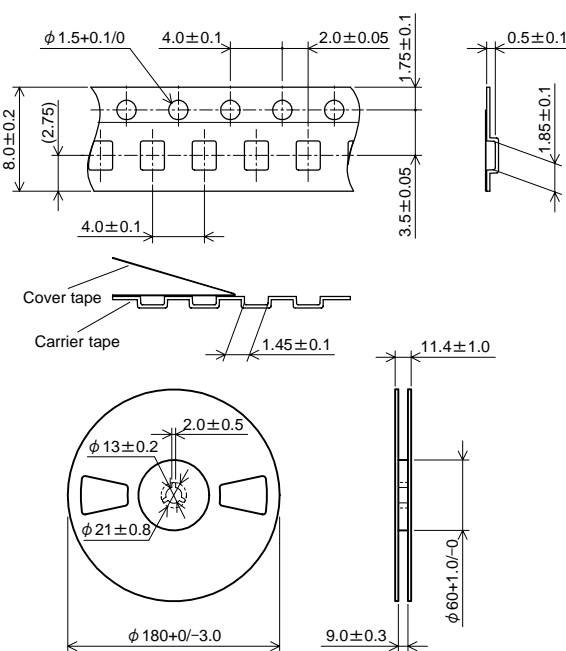
| Item  | Standard specifications   |                           |                           |                    |
|---|---------------------------|---------------------------|---------------------------|--------------------|
| Frequency range(MHz)  | 26.0 to 80.0              |                           |                           |                    |
| Overtone order  | Fundamental               |                           |                           |                    |
| Frequency tolerance (ppm)(at 25°C)                                | ±10, ±20, ±30, ±50, ±100  |                           |                           |                    |
| Storage temperature range(°C)                                     | -40 to +85                |                           |                           |                    |
| Operating temperature range(°C)                                   | 0 to +50                  | -10 to +60                | -20 to +70                | -40 to +85         |
| Frequency versus temperature characteristics(ppm) (Refer to 25°C) | ±10<br>±30<br>±50<br>±100 | ±15<br>±30<br>±50<br>±100 | ±20<br>±30<br>±50<br>±100 | ±30<br>±50<br>±100 |
| Motional resistance (ESR)   | As per below table        |                           |                           |                    |
| Level of drive(μW)  | 100 Max.                  |                           |                           |                    |
| Load capacitance(pF)  | 5.0, 6.0, 7.0             |                           |                           |                    |

| Frequency(MHz) | Motional resistance(ESR)(Ω) |
|----------------|-----------------------------|
| 26.0 to 30.0   | 150 Max.                    |
| 30.0 to 80.0   | 100 Max.                    |

- Please consult us for customized specifications.
- All specifications and markings subjected to change without notice.

## Taping

Unit: mm



Quantity: 3000 pieces Max./Reel

**RIVER** RIVER ELETec CORPORATION  
URL <http://www.river-ele.co.jp>

Head Office : 2-1-1 Fujimigaoka Nirasaki Yamanashi Japan  
Tokyo Office : 4-40-14 Nishishinjuku Shinjuku-ku Tokyo Japan  
Utsunomiya Office : Phone 81-28-625-7181 Fax 81-28-625-7159  
Osaka Office : Phone 81-6-6998-4888 Fax 81-6-6998-4899  
Nagoya Office : Phone 81-52-776-9531 Fax 81-52-776-9532

Phone 81-551-22-1211 Fax 81-551-22-6645  
Phone 81-3-3377-5444 Fax 81-3-3374-2865  
River Electronics(Singapore)Pte.Ltd : Phone 65-6258-7874  
(Shanghai Liaison Office) : Phone 86-21-64032210  
Taiwan River Co.,Ltd. : Phone 886-2-8988-2811  
Xi'an River Electronics Corporation : Phone 86-29-88697274

Fax 65-6258-7366  
Fax 86-21-64037412  
Fax 886-2-2983-4785  
Fax 86-29-88635134