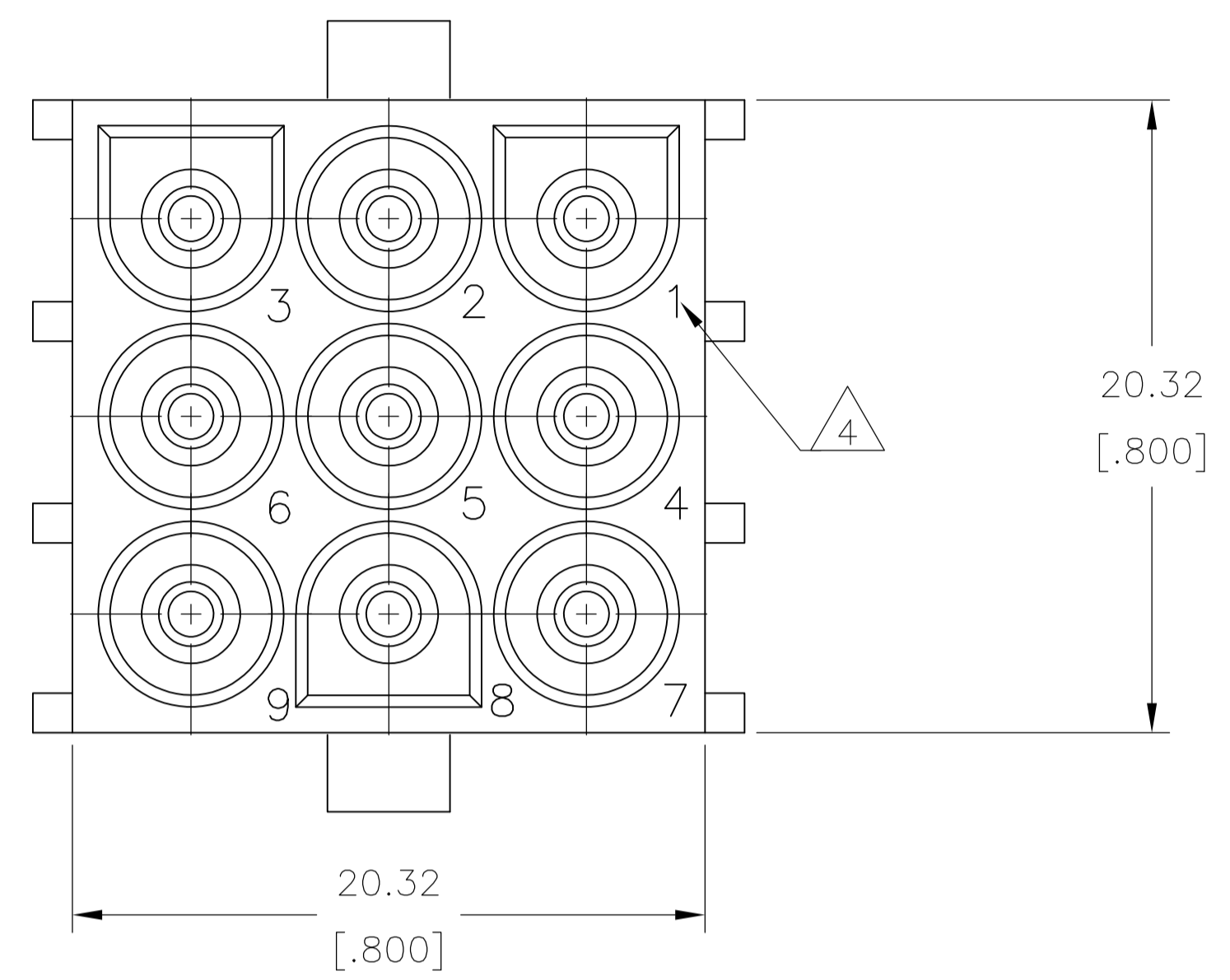
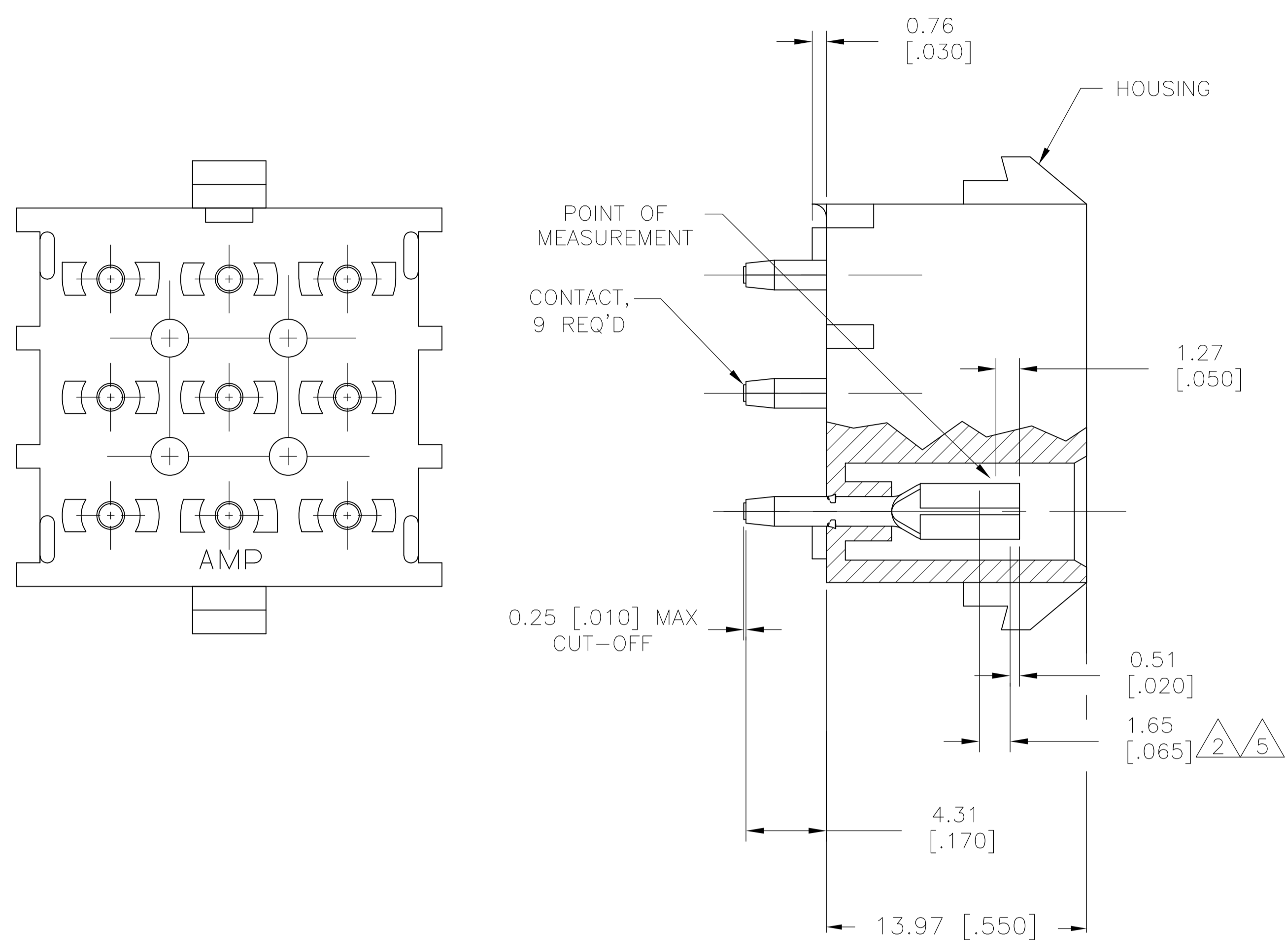
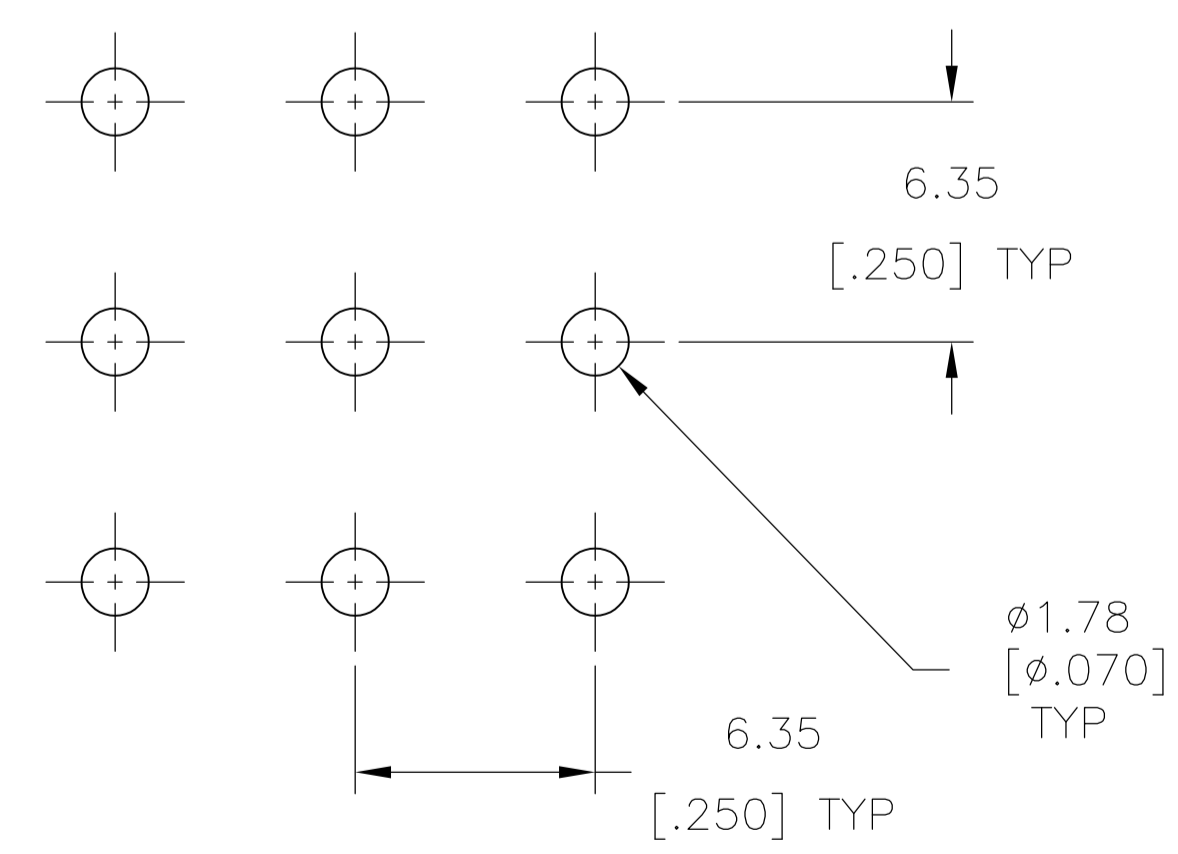


LOC	DIST	REVISIONS				
CM	00	REV	DESCRIPTION	DATE	BY	APPV
		R2	REVISED PER ECR-12-011660	28JAN13	KH	TM
		R3	REVISED PER ECR-14-011998	20AUG14	AV	KD



- 1 PARTS MUST COMPLY WITH TE SOLDERABILITY SPEC 109-11-3.
- 2 CONTACT IS STAMPED FROM PRE-PLATED STOCK WHICH IS PLATED OVERALL WITH 0.00127 [.000050] NICKEL, THEN STRIPED WITH 0.00076 [.000030] GOLD IN CONTACT AREA INDICATED AND TIN-LEAD ON SOLDER TAIL END.
- 4 CIRCUIT IDENTIFICATION CHARACTERS ARE ADJACENT TO THE INDICATED CAVITIES, BUT LOCATION AND ORIENTATION MAY DIFFER FROM PRINT.
- 5 CONTACT IS PLATED OVERALL WITH 0.00127 [.000050] NICKEL, THEN 0.00076 [.000030] GOLD OVER CONTACT. LENGTH INDICATED AND MATTE TIN ON SOLDER TAIL END.
- 6 WILL ACCEPT 1.98 [.078] DIA PIN
- 7 SUPERSEDED BY 350828-4



RECOMMENDED LAYOUT FOR 1.58 [.062] THICK PC BOARD

CONTACT	HOUSING	PART NO
PH BRZ TIN $\triangle 6$	NYLON,UL 94V-0	350828-5
PH BRZ GOLD $\triangle 5$	NYLON,UL 94V-0	350828-4
PH BRZ GOLD $\triangle 2$	NYLON,UL 94V-0	350828-2
PH BRZ TIN	NYLON,UL 94V-0	350828-1

THIS DRAWING IS A CONTROLLED DOCUMENT.

DIMENSIONS: mm [INCHES]	TOLERANCES UNLESS OTHERWISE SPECIFIED:	DIN K. WHITAKER 11OCT2005	CHK S. RIDGILL 11OCT2005	APPROV S. RIDGILL 11OCT2005	NAME S. RIDGILL
0 PLC ±	1 PLC ±	2 PLC ±	3 PLC ± 0.13 [.005]	4 PLC ±	ANGLES ±
MATERIAL SEE TABLE	FINISH SEE TABLE	WEIGHT	SIZE A1	CAGE CODE 00779	DRAWING NO 350828
CUSTOMER DRAWING			SCALE 5:1	SHEET 1 of 1	REV R3

STE TE Connectivity

9 CIRCUIT UNIVERSAL MATE-N-LOK (TM)  
P.C. BOARD SOCKET HEADER ASSEMBLY