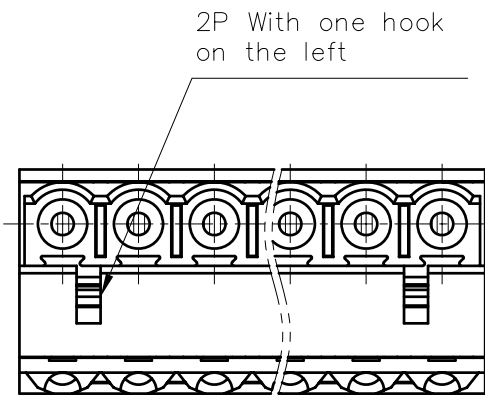
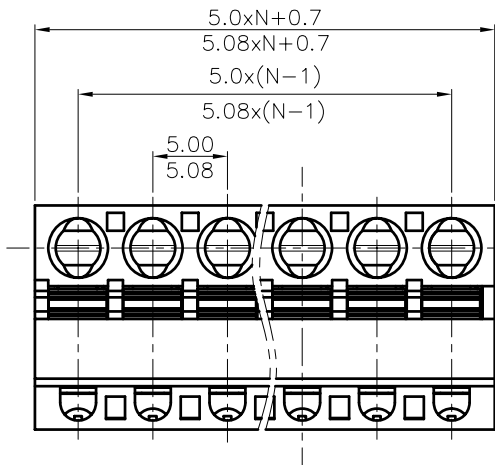


REVISION RECORD				
REV	ECN	DESCRIPTION	DRFT	DATE



NOTES1:

- UL Standard
- 1.Rated Voltage/Current : 300V / 10A
- 2.Withstanding Voltage : AC1600V/1Min.
- 3.Wire Range : 26~12AWG

IEC Standard

1. Pollution Degree	2
Overvoltage Category	III
Rate Impulse Voltage(KV)	4KV
Rate Voltage(V)	320V
Rate Current(A)	20A

- 2.Wire Range : 0.2~2.5mm²

NOTES2:

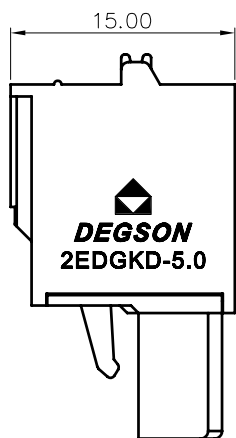
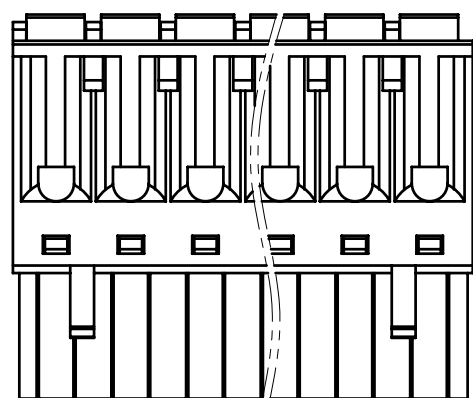
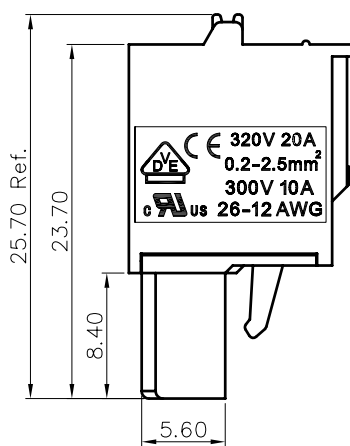
- 1.Dimension shall be interpreted per ASME Y14.5-2009
- 2.Pitch : 5.00/5.08mm, Poles : N=02-24P
- 3.Stripping length : 9~10mm
- 4.Operating temperature: -40°C~+105°C
- 5.Undimensioned Tolerances:

Pitch range in mm		Nominal dimension range in mm			Tolerance	
TO	6 TO 10	Over 10 TO 24	Over 24 TO 30	Over 30 TO 60	Over 60 TO 100	Over 100 TO 150
±0.15	±0.20	±0.30	±0.30	±0.50	±0.70	±1.00
						0.1/10
						<
						±2'

6.RoHS Compliance

2EDGKD - 5.0/5.08 - XXP - 1Y - 00A (H)

(Series No.) (Pitch) (Poles) (Single Pitch) (Color): 1.(Grey)
 2.(Blue)
 3.(Black)
 4.(Green)
 5.(Orange)
 6.(Red)
 7.(Transparent)
 8.(Yellow)
 9.(White)



DETACHED LISTS	PART NO.:	/		
	APPD:	/		
	CHKD:	/		
	DRFT:	/		
		DO NOT SCALE DRAWING		
		SCALE 1:1		

NINGBO DEGSON ELECTRICAL CO., LTD

2EDGKD-5.0/5.08-XXP-1Y-00A(H)

CUSTOMER DRAWING

DRAWING NO.: / SHEET 1/1