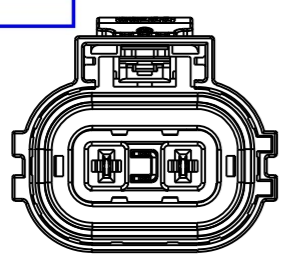


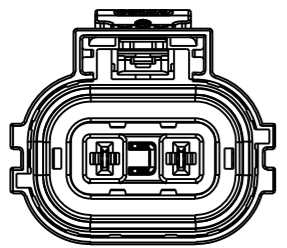
REV	ECN	DESCRIPTION	DATE	MODIFIED
E		UPDATE CONTACT P/N	2018.06.13	ROY.QU
F	R0380N	ADJUST RATING VOLTAGE	2019.3.22	ROY.QU
G	C3275-N	Correction of drawing errors	2019.4.24	DICK.RAO
H	R3571N	ADD SIGNAL CABLE OD/CHANGE TERMINAL PN	2019.7.30	Celine.xie

Amphenol PCDSZ
ORIGINAL
PDF Format
R&D



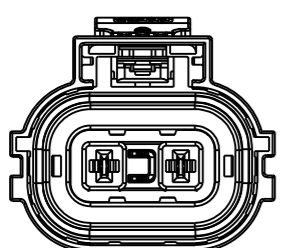
HVSL282062AYXXI

KEY B



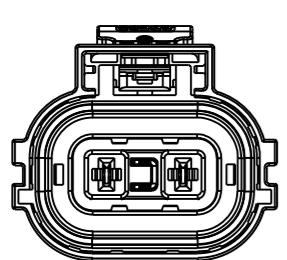
HVSL282062BYXXI

KEY C



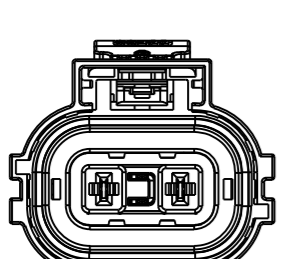
HVSL282062CYXXI

KEY D



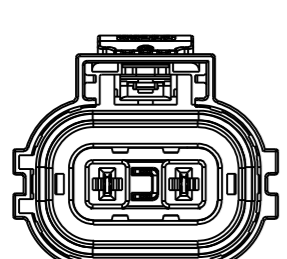
HVSL282062DYXXI

KEY E

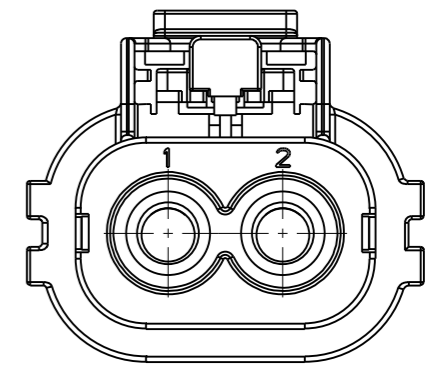
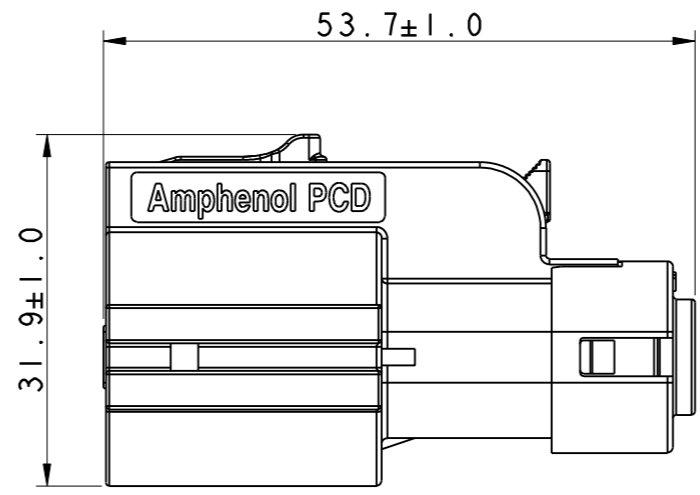
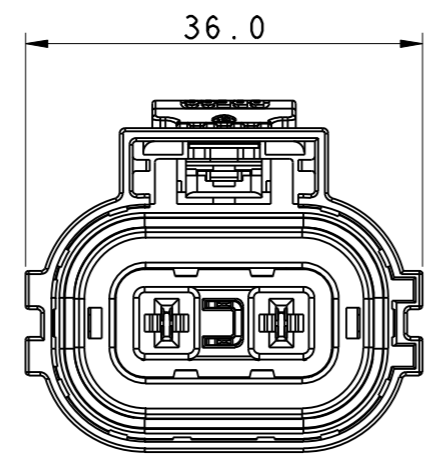


HVSL282062EYXXI

KEY F



HVSL282062FYXXI



SCOPE OF CABLE OUTSIDE DIAMETER	
SIZE	OUTSIDE DIAMETER
0.5MM ²	∅ 1.50~∅ 2.75 MM
2.5~3 MM ²	∅ 4.7~∅ 5.3 MM
4 MM ²	∅ 5.1~∅ 5.7 MM

HOW TO ORDER:
PLUG DON'T INCLUDE CONTACT PIN,NEED TO BUY SEPARATE:
THE MAIN CONTACT:C310003612S,USE LEVEL: 2PCS

HVSL 282 06 2X X XX X

- A: KEY A
- B: KEY B
- C: KEY C
- D: KEY D
- E: KEY E
- F: KEY F
- 0: WITHOUT HVIL
- 1: WITH HVIL
- 03: 2.5~3mm² SHIELDED CABLE
- 04: 4.0mm² SHIELDED CABLE
- I: SINGLE CORE SHIELDED CABLE

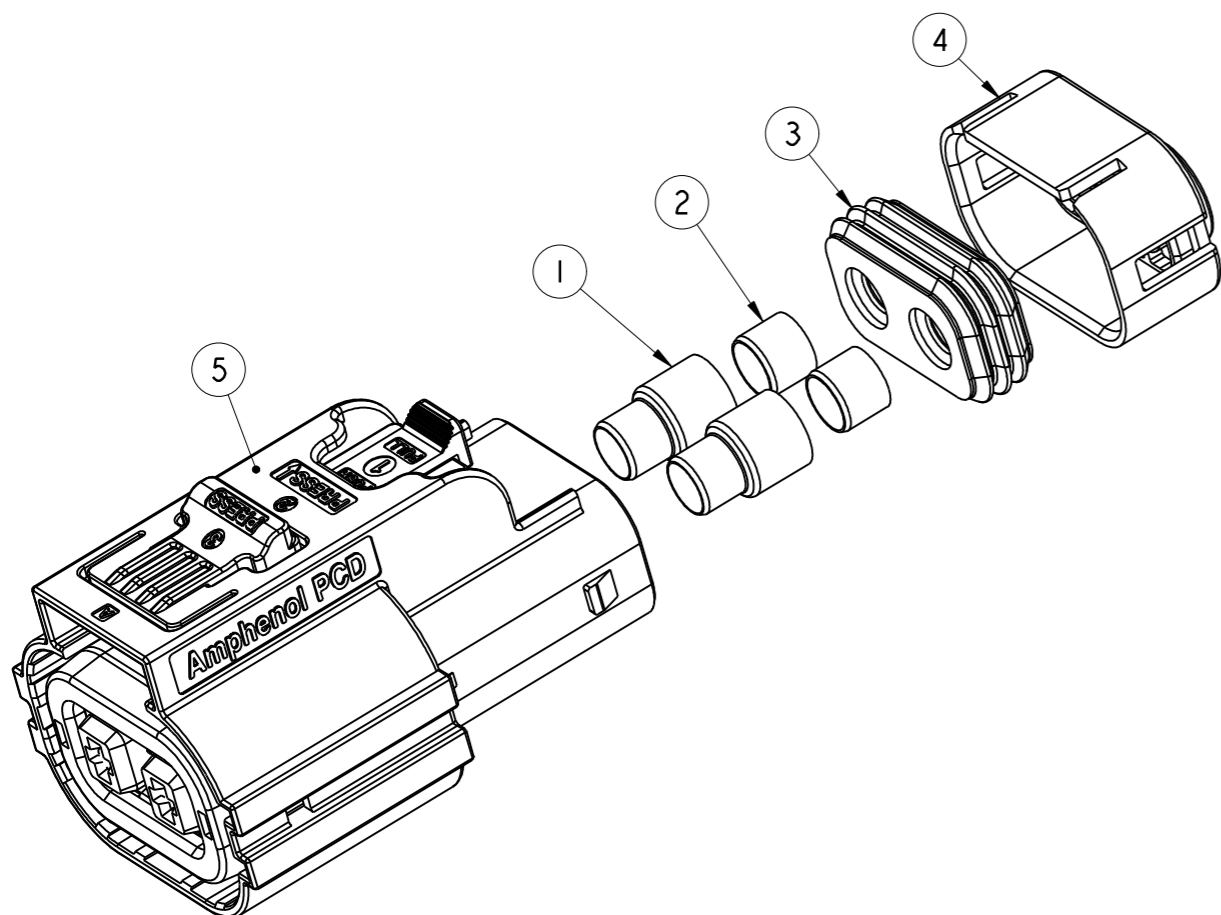
✦ :CRITICAL CHARACTERISTICS 关键特性
◎ :IMPORTANT CHARACTERISTICS 重要特性

TECHNICAL DATA		
CURRENT RATE (4MM ² SHIELD CABLE)	32A @ AMBIENT 70° C	✦
CURRENT RATE (2.5~3MM ² SHIELD CABLE)	23A @ AMBIENT 70° C	✦
RATING VOLTAGE (OVERVOLTAGE CATEGORY II POLLUTION DEGREE 2)	1000V DC	✦
OPERATING TEMPERATURE	-40~125° C	
DIELECTRIC WITHSTAND VOLTAGE	3000V AC	✦
INSULATION RESISTANCE	100MΩ MIN.	✦
DURABILITY	50 CYCLES	◎
SHIELDING	YES	
WATERPROOF(MATED CONDITION)	IP 67, IP6K9K	✦
PROTECTION LEVEL	IP2XB	✦
AMBIENT TEMPERATURE	-40~70° C	
RoHS	YES	✦

DIMENSIONS ANSI Y14.5M UNITS: MM Pro/E FILE	TOLERANCES .X ±0.3 .XX ±0.20 ANGLES ±0.5°	PROJECTION 	TITLE Amphenol Pcd Shenzhen	
ORIGINAL	THIS DOCUMENT CONTAINS PROPRIETARY INFORMATION WHICH IS THE CONFIDENTIAL PROPERTY OF AMPHENOL PCD SHENZHEN		ENGR Celine 2019.3.21	HVSL282 PLUG
			CHKD <i>Jouk</i> APPD <i>Sebas</i>	
		SIZE A3	DWG NO. C-HVSL282062XXXXX	REV H
		CODE: 58982	SCALE: 1:1	SHEET 1 OF 2

C-HVSL282062XXXXX

C-HVSL282062XXXXX



HVSL282062XX SELECTION:

HVSL282062A1	KEY A, WITH HVIL PIN	HVSL282062A0	KEY A, WITHOUT HVIL PIN
HVSL282062B1	KEY B, WITH HVIL PIN	HVSL282062B0	KEY B, WITHOUT HVIL PIN
HVSL282062C1	KEY C, WITH HVIL PIN	HVSL282062C0	KEY C, WITHOUT HVIL PIN
HVSL282062D1	KEY D, WITH HVIL PIN	HVSL282062D0	KEY D, WITHOUT HVIL PIN
HVSL282062E1	KEY E, WITH HVIL PIN	HVSL282062E0	KEY E, WITHOUT HVIL PIN
HVSL282062F1	KEY F, WITH HVIL PIN	HVSL282062F0	KEY F, WITHOUT HVIL PIN

C-HVSL282062XXXXX

C-HVSL282062XXXXX

HVSL282062XX04I	5	HVSL282062XX	1	MAIN BODY	4MM ² SHIELD CABLE OD=Ø 5.1~Ø 5.7MM
	4	C2200039092	1	BACK CAP	
	3	C2700036551	1	SEAL	
	2	C2000036652	2	INSIDE SHIELDING RING	
	1	C3100036502	2	OUTSIDE SHIELDING RING	
HVSL282062XX03I	5	HVSL282062XX	1	MAIN BODY	2.5~3.0MM ² SHIELD CABLE OD=Ø 4.7~Ø 5.3MM
	4	C2200039091	1	BACK CAP	
	3	C2700036552	1	SEAL	
	2	C2000036651	2	INSIDE SHIELDING RING	
	1	C3100036501	2	OUTSIDE SHIELDING RING	
P/N	ITEM	COMPONENT P/N	Q'T	DESCRIPTION	REMARK

SIZE A3	DWG NO. C-HVSL282062XXXXX	REV H
CODE: 58982	SCALE: 1:1	SHEET 2 OF 2