

Excel|Mate Eco (HVSL282)



HVSL282

HVSL282 is a 2 position connector with plastic housing, high voltage, integrated HVIL. It provides a current carrying capacity from 16 to 32A and 2.5 to 4mm² crimping cable.

Specially designed for DC-DC, air-conditioner, and other equipment in HEV device applications.

KEY FEATURES

Integrated internal HVIL

Current rating up to 32A@ ambient temperature 70°C

Two-stage, tool or thumb activated latching

No tool required to unmate

Sealing, IP68 (mated), IP6K9K

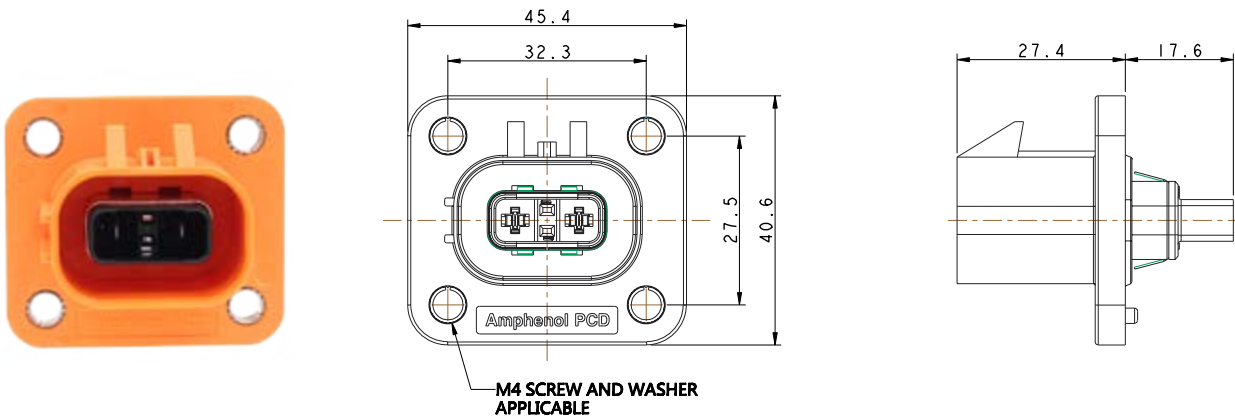
Touch-proof, IP2XB

Multiple coding positions

CPA available

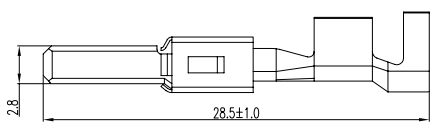
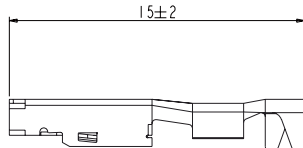
MECHANICAL	
Durability	≥ 50 mating cycles
Wire range	2.5 to 4 mm ² shielded wire
Insertion and extraction force	< 100N
Connection type	Crimping
Latching style	Two stage, finger actuated
HVIL	Integrated
CPA	Available
ELECTRICAL	
Rated voltage	1000V DC
Rated current	32A Max @ ambient temperature 70°C
Insulator resistance	> 100MΩ
Dielectric withstand voltage	3000V AC
Shielding	360° from wire to device
ENVIRONMENTAL	
Sealing	IP68, IP6K9K (mated)
Touch-proof	IP2XB
Temperature range	-40°C to 125°C
STANDARDS	
USCAR-2	
USCAR-37	
LV-215	
RoHS	
MATERIAL	
Terminals	Copper/copper alloy
Housing	PA66 + GF

RECEPTACLE

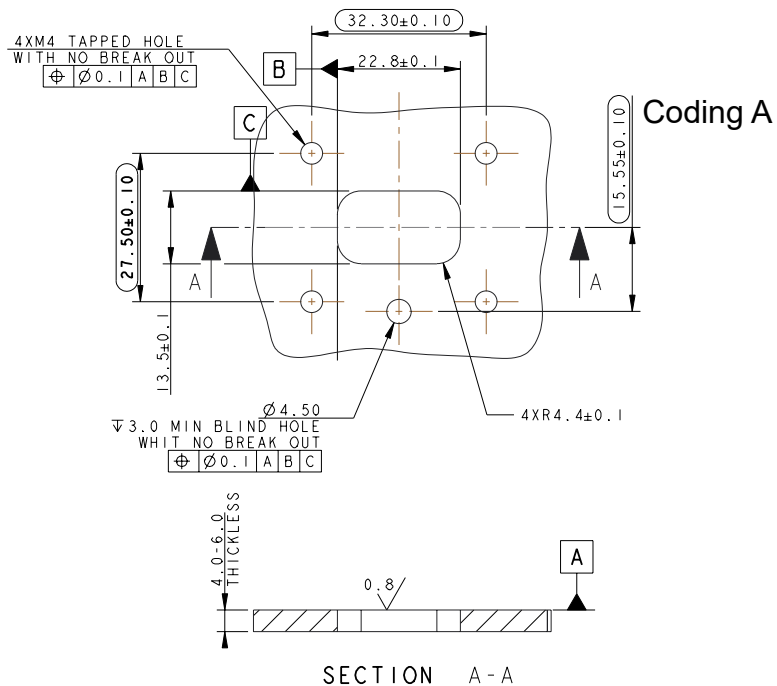


CONTACTS

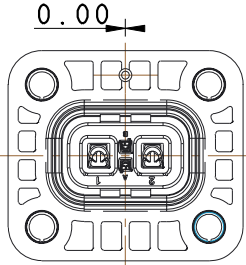
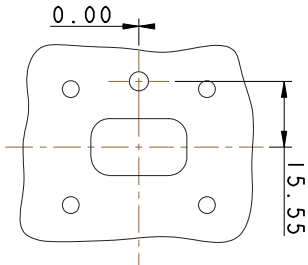
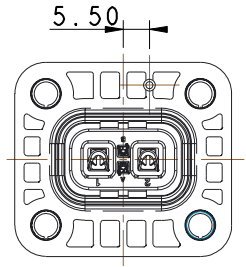
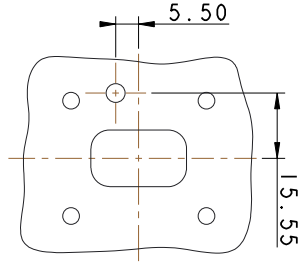
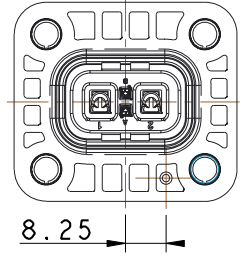
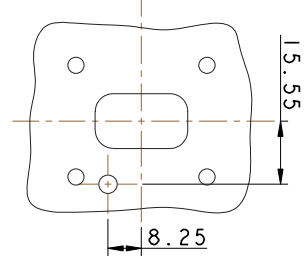
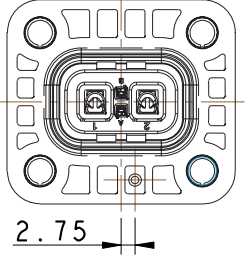
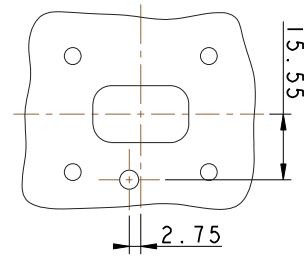
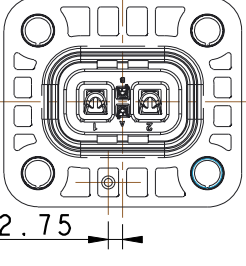
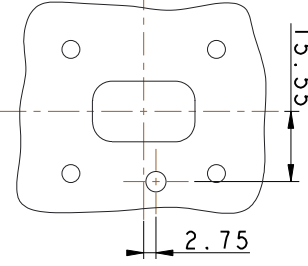
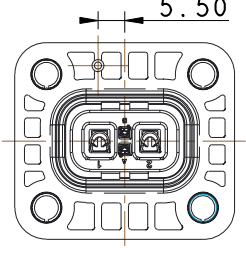
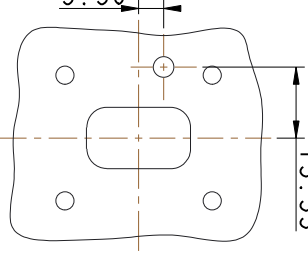
All connectors do not include contacts. Please order them separately (ref: P/N below)

Pin contact: crimping	Socket signal contact (HVIL)
P/N: C310003611S	P/N: C310003614S
	
2.5 to 4mm ² unshielded wire	0.5mm ² unshielded wire

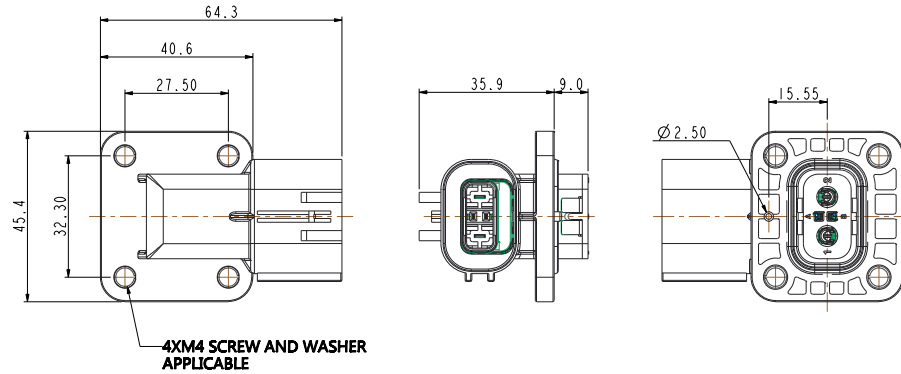
PANEL MOUNTING DIMENSION



PANEL MOUNTING DIMENSION

Part number	INSERT ORIENTATIONS	PANEL MOUNTING DIMENSION
HVSL282 02 2 A	 <p>0.00</p>	 <p>0.00</p> <p>15.55</p>
HVSL282 02 2 B	 <p>5.50</p>	 <p>5.50</p> <p>15.55</p>
HVSL282 02 2 C	 <p>8.25</p>	 <p>15.55</p> <p>8.25</p>
HVSL282 02 2 D	 <p>2.75</p>	 <p>15.55</p> <p>2.75</p>
HVSL282 02 2 E	 <p>2.75</p>	 <p>15.55</p> <p>2.75</p>
HVSL282 02 2 F	 <p>5.50</p>	 <p>5.50</p> <p>15.55</p>

RIGHT-ANGLE RECEPTACLE

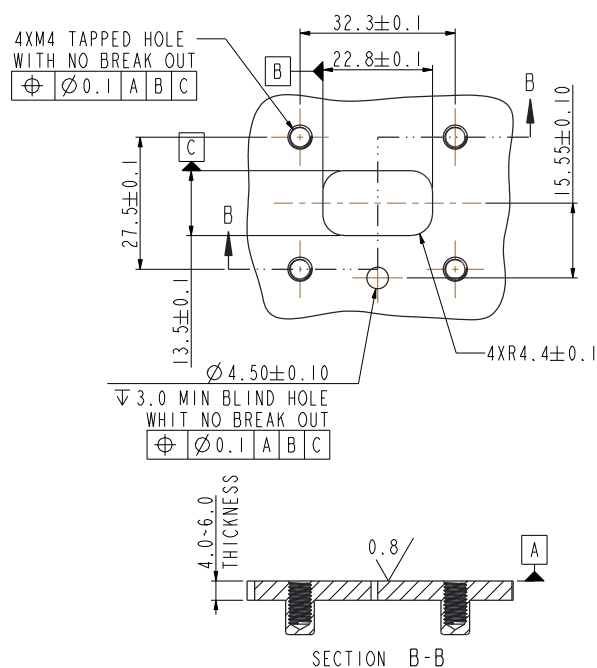


CONTACTS

All connectors do not include contacts. Please order them separately (ref: P/N below)

Socket contact: crimping	Socket signal contact (HVIL)
P/N: C310003612S	P/N: C310003614S
2.5 to 4mm ² unshielded wire	0.5mm ² unshielded wire

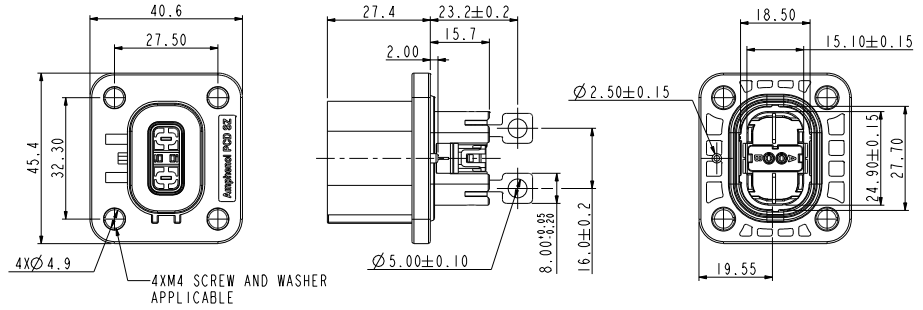
PANEL MOUNTING DIMENSION



PANEL MOUNTING DIMENSION

Part number	INSERT ORIENTATIONS	PANEL MOUNTING DIMENSION
HVSL282 04 2 AX		
HVSL282 04 2 BX		
HVSL282 04 2 CX		
HVSL282 04 2 DX		
HVSL282 04 2 EX		
HVSL282 04 2 FX		

RECEPTACLE WITH SOLDERED PIN FOR PCB BOARD

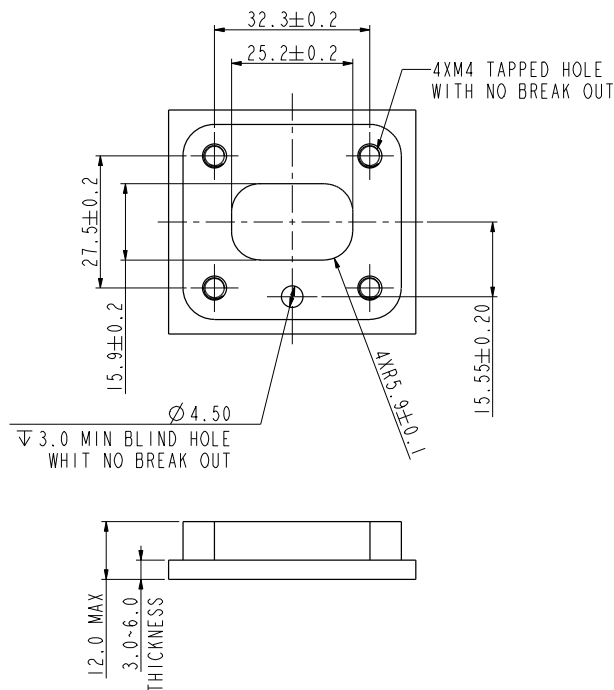


CONTACTS

All connectors do not include contacts. Please order them separately (ref: P/N below)

Socket contact: crimping	Socket signal contact (HVIL)
P/N: C310003612S	P/N: C310003614S
2.5 to 4mm ² unshielded wire	0.5mm ² unshielded wire

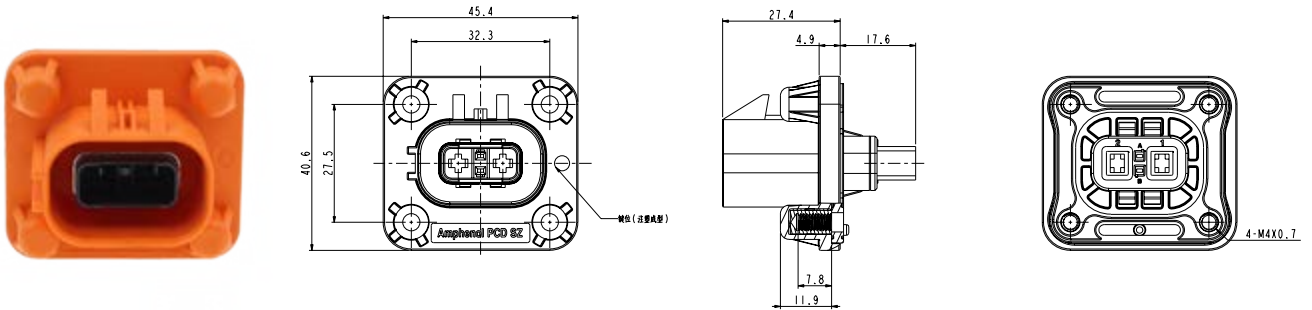
PANEL MOUNTING DIMENSION



PANEL MOUNTING DIMENSION

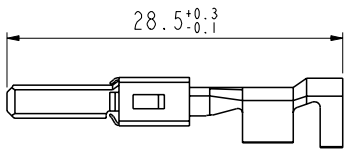
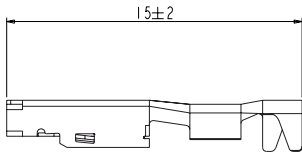
Part number	INSERT ORIENTATIONS	PANEL MOUNTING DIMENSION
HVSLW282 02 2 AX		
HVSLW282 02 2 BX		
HVSLW282 02 2 DX		

BLIND HOLE MOUNTED RECEPTACLE

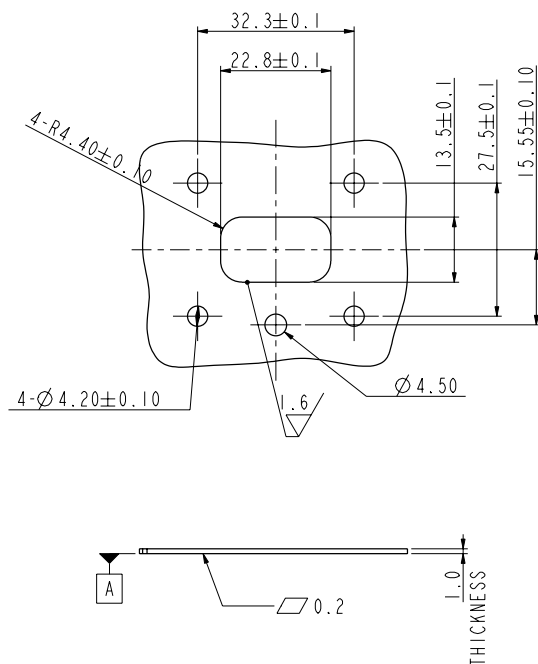


CONTACTS

All connectors do not include contacts. Please order them separately (ref: P/N below)

Pin contact: crimping	Socket signal contact (HVIL)
P/N: C310003611S	P/N: C310003614S
	
2.5 to 4mm ² unshielded wire	0.5mm ² unshielded wire

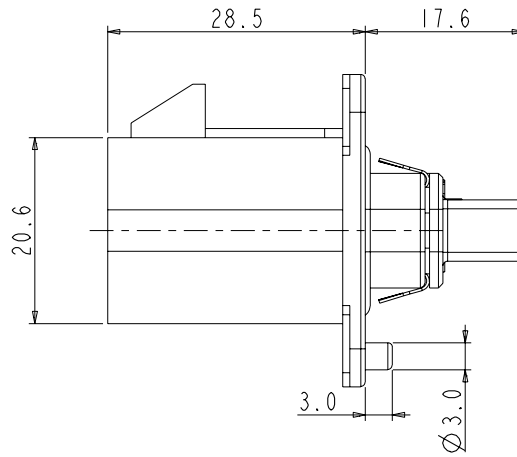
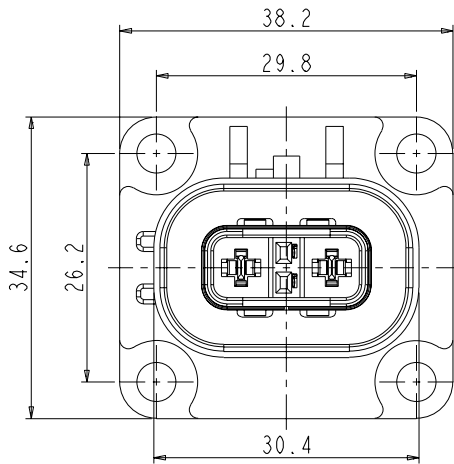
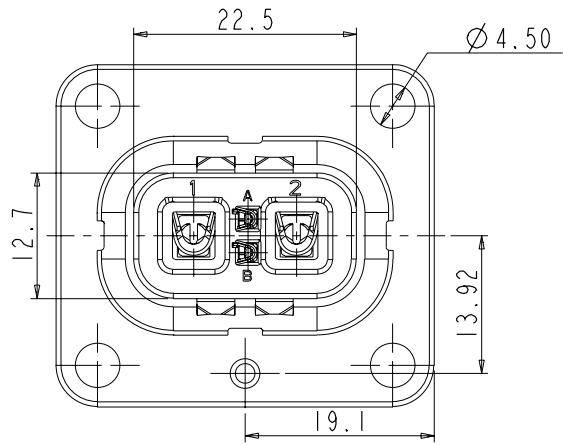
PANEL MOUNTING DIMENSION



PANEL MOUNTING DIMENSION

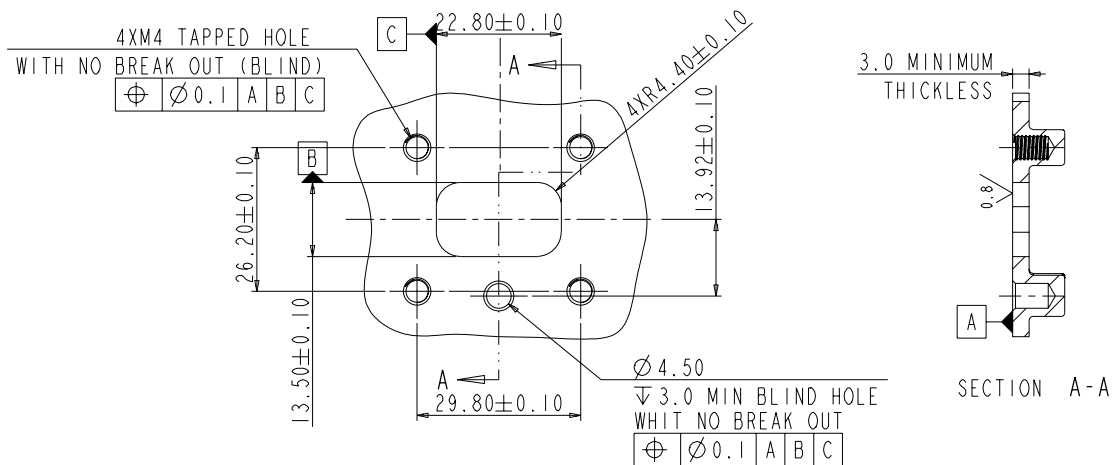
Part number	INSERT ORIENTATIONS			PANEL MOUNTING DIMENSION
HVSL282 032 A				
HVSL282 032 B				
HVSL282 032 C				
HVSL282 032 D				
HVSL282 032 E				
HVSL282 032 F				

RECEPTACLE: METAL SHELL

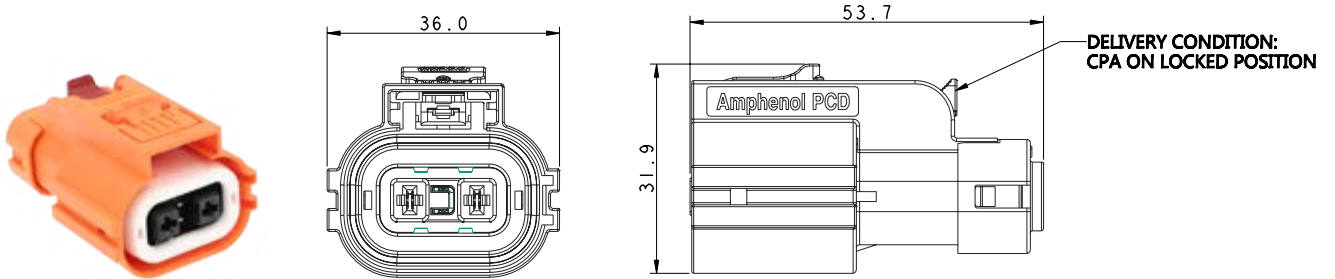


PANEL MOUNTING DIMENSION

PANEL CUT-OUT REFERENCE



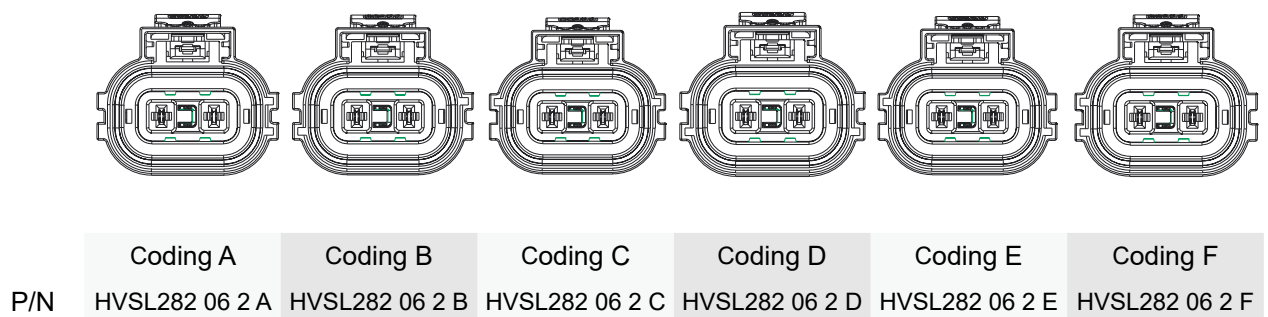
PLUG



CONTACTS

All connectors do not include contacts. Please order them separately (ref: P/N below)	
Socket contact: crimping	HVIL contacts
P/N: C310003612S	Integrated, no need to buy.
2.5 to 4mm ² shielded wire	

INSERT ORIENTATIONS



HOW TO ORDER (HVSL 282)

HOW TO ORDER: PLUG

	HVSL282	06	2	A	0	03	I
Product type:	06: Straight plug						
Position:	2: 2 positions						
Coding / Alternate position:	A: Coding A		D: Coding D				
	B: Coding B		E: Coding E				
	C: Coding C		F: Coding F				
HVIL:	0: Without HVIL						
	1: With HVIL						
Cable size:	03: 2.5mm ²						
	04: 4mm ²						
Wire type:	I: Individually shielded wire						

HOW TO ORDER: RECEPTACLES

	HVSL282	02	2	A
Product type:	02: Box mounted receptacle			
Position:	2: 2 positions			
Coding / Alternate position:	A: Coding A B: Coding B C: Coding C	D: Coding D E: Coding E F: Coding F		

	HVSL282	04	2	A	X
Product type:	04: Right-angle receptacle				
Position:	2: 2 positions				
Coding / Alternate position:	A: Coding A B: Coding B C: Coding C	D: Coding D E: Coding E F: Coding F			
HVIL	0: without HVIL 1: with HVIL				

	HVSLW282	02	2	A	X
Product type:	02: With soldered pin for PCB board 03: Blind hole mounted receptacle				
Position:	2: 2 positions				
Coding / Alternate position:	A: Coding A B: Coding B D: Coding D				
HVIL	0: without HVIL 1: with HVIL				

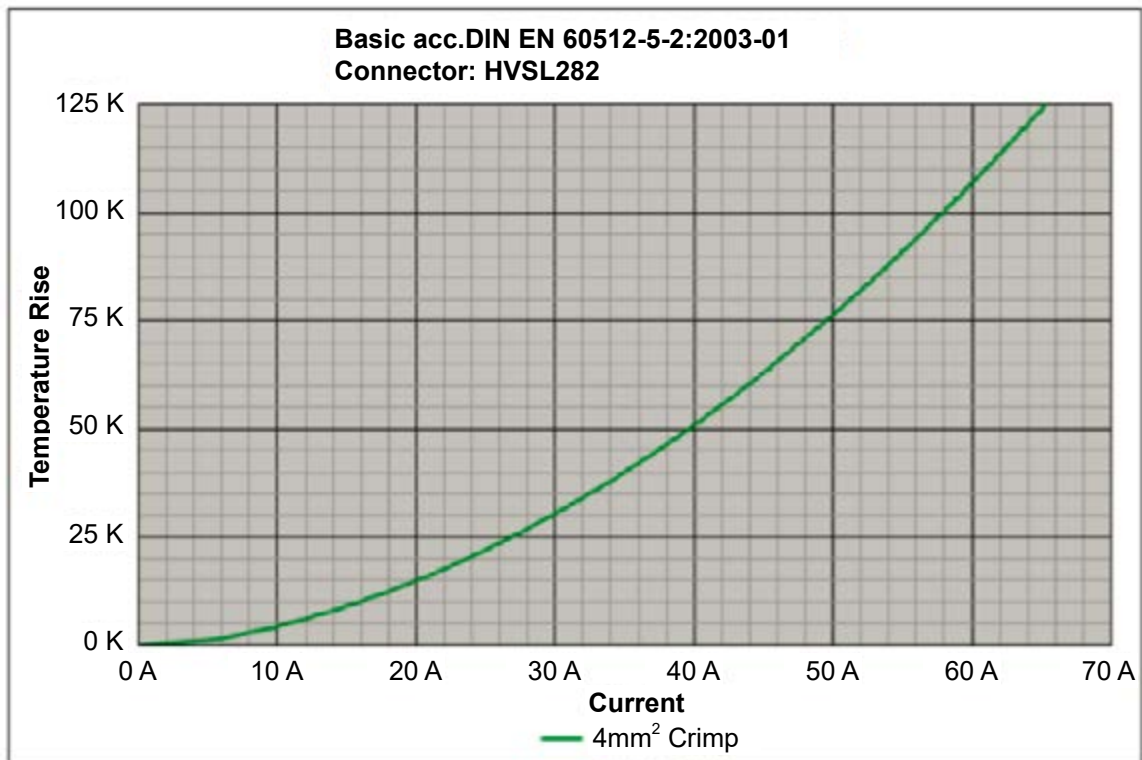
Remark: W stands for Waterproof.

RECEPTACLE: METAL SHELL

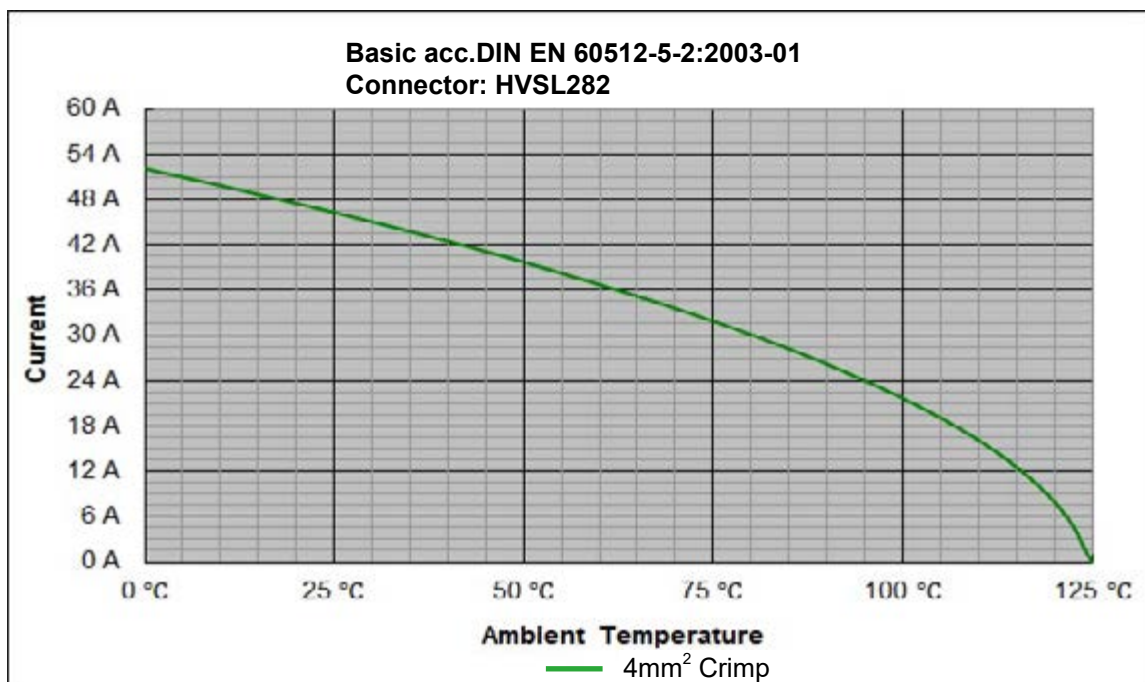
	HVSLM282	02	2	A
Product type:	02: Box mounted receptacle			
Position:	2: 2 positions			
Coding / Alternate position:	A: Coding A			

Remark: M stands for Metal.

HVSL 282 | Temperature Rise



HVSL 282 | Derating Curve



Remark: tests carried out on the complete connector.