

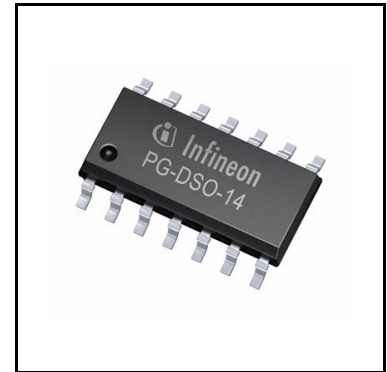
OPTIREG™ Linear TLE4278G

5 V low drop fixed voltage regulator



Features

- Output voltage tolerance $\leq \pm 2\%$
- Very low current consumption
- Separated reset and watchdog output
- Low-drop voltage
- Watchdog
- Adjustable watchdog activating threshold
- Adjustable reset threshold
- Overtemperature protection
- Reverse polarity protection
- Short-circuit proof
- Suitable for use in automotive electronics
- Wide temperature range
- Green Product (RoHS compliant)



Potential applications

General automotive applications.

Product validation

Qualified for automotive applications. Product validation according to AEC-Q100/101.

Description

The OPTIREG™ Linear TLE4278G is a monolithic integrated low-drop fixed output voltage regulator supplying loads up to 200 mA. The IC is available in a PG-DSO-14 package. It is designed to supply microprocessor systems under the severe conditions of automotive applications and therefore equipped with additional protection functions against over- load, short circuit and overtemperature. The TLE4278 can also be used in other applications where a stabilized voltage is required.

Type	Package	Marking
TLE4278G	PG-DSO-14	TLE4278G

Table of contents

	Features	1
	Potential applications	1
	Product validation	1
	Description	1
	Table of contents	2
1	Block diagram	3
2	Pin configuration	4
3	General product characteristics	5
3.1	Absolute maximum ratings	5
3.2	Functional range	6
3.3	Thermal resistance	6
4	Functional description	7
4.1	Electrical characteristics	8
4.2	Test circuit	10
4.3	Typical performance characteristics	11
5	Application information	13
5.1	Input, output	13
5.2	Reset timing	14
5.3	Reset switching threshold	15
5.4	Watchdog activating	16
5.5	Watchdog timing	17
5.6	Hints for unused pins	18
6	Package information	19
7	Revision history	20

Block diagram

1 Block diagram

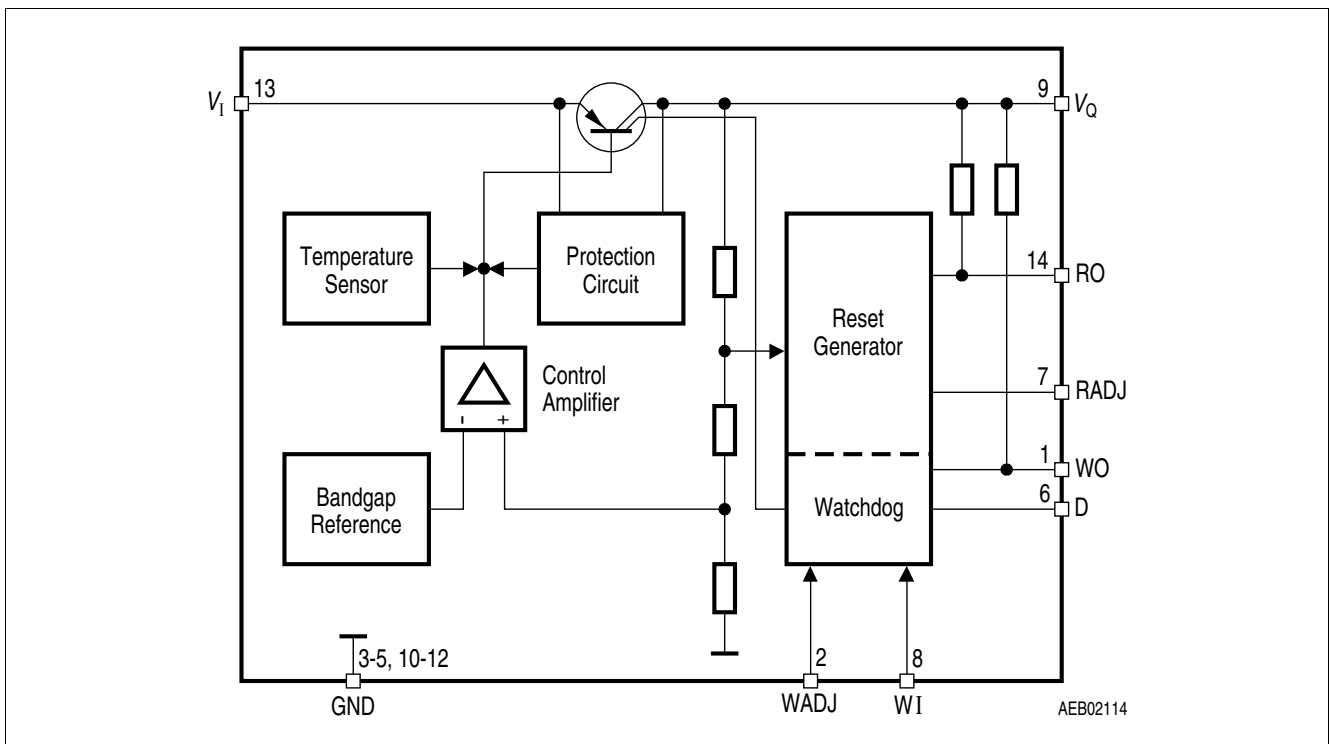


Figure 1 Block diagram

Pin configuration

2 Pin configuration

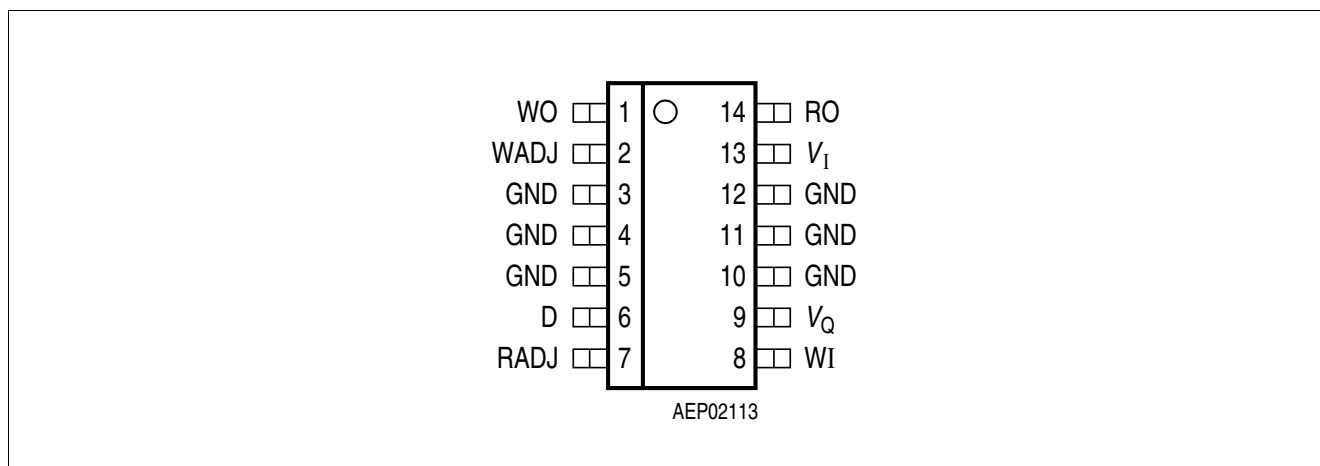


Figure 2 Pin configuration PG-DSO-14 (top view)

Table 1 Pin definitions and functions

Pin	Symbol	Function
1	WO	Watchdog output; the open collector output is connected to the 5 V output via an integrated resistor of 30 kΩ.
2	WADJ	Watchdog adjust; an external resistor to GND determines the watchdog activating threshold.
3, 4, 5, 10, 11, 12	GND	Ground
6	D	Reset delay; connect a capacitor to ground for delay time adjustment.
7	RADJ	Reset switching threshold adjust; for setting the switching threshold, connect a voltage divider from output to ground. If this input is connected to ground, the reset is triggered at the internal threshold.
8	WI	Watchdog input; rising edge-triggered input for monitoring a microcontroller.
9	Q	5 V output voltage; block to ground with min. 10 μF capacitor, ESR ≤ 5 Ω.
13	I	Input voltage; block to ground directly on the IC with ceramic capacitor.
14	RO	Reset output; the open collector output is connected to the 5 V output via an integrated resistor of 30 kΩ.

General product characteristics

3 General product characteristics

3.1 Absolute maximum ratings

Table 2 Absolute maximum ratings

$T_j = -40^\circ\text{C}$ to 150°C

Parameter	Symbol	Values			Unit	Note or Test Condition
		Min.	Typ.	Max.		
Input voltage I						
Voltage	V_I	-42	-	45	V	-
Current	I_I	-	-	-	mA	Internally limited
Output voltage Q						
Voltage	V_Q	-1	-	25	V	-
Current	I_Q	-	-	-	mA	Internally limited
Reset output RO						
Voltage	V_{RO}	-0.3	-	25	V	-
Current	I_{RO}	-5	-	5	mA	-
Reset delay D						
Voltage	V_D	-0.3	-	7	V	-
Current	I_D	-2	-	2	mA	-
Reset switching threshold adjust RADJ						
Voltage	V_{RADJ}	-0.3	-	7	V	-
Current	I_{RADJ}	-	-	-	mA	Internally limited
Watchdog input WI						
Voltage	V_{WI}	-0.3	-	7	V	-
Current	I_{WI}	-	-	-	mA	Internally limited
Watchdog output WO						
Voltage	V_{WO}	-0.3	-	25	V	-
Current	I_{WO}	-5	-	5	mA	-
Watchdog adjust WADJ						
Voltage	V_{WADJ}	-0.3	-	7	V	-
Current	I_{WADJ}	-	-	-	mA	Internally limited
Ground GND						
Current	I_{GND}	-100	-	50	mA	-
Temperatures						
Junction temperature	T_j	-50	-	150	$^\circ\text{C}$	-
Storage temperature	T_{stg}	-50	-	150	$^\circ\text{C}$	-

General product characteristics

*Note: ESD protection according to MIL Std. 883: ±2 kV.
 Maximum ratings are absolute ratings; exceeding any one of these values may cause irreversible damage to the integrated circuit.*

3.2 Functional range

Table 3 Functional range

Parameter	Symbol	Values			Unit	Note or Test Condition
		Min.	Typ.	Max.		
Input voltage	V_I	5.5	–	45	V	–
Junction temperature	T_j	-40	–	150	°C	–

Note: In the functional range the functions given in the circuit description are fulfilled.

3.3 Thermal resistance

Table 4 Thermal resistance

Parameter	Symbol	Values			Unit	Note or Test Condition
		Min.	Typ.	Max.		
Junction ambient	R_{thj-a}	–	–	80	K/W	¹⁾
Junction pin	$R_{thj-pin}$	–	–	30	K/W	Measured to pin 4

1) Package mounted on PCB 80 × 80 × 1.5 mm³; 35 μm Cu; 5 μm Sn; Heat Sink Area 6 cm²; zero airflow.

Functional description

4 Functional description

The TLE4278 is a monolithic integrated low-drop fixed output voltage regulator supplying loads up to 200 mA. An input voltage V_I in the range of $5.5\text{ V} \leq V_I \leq 45\text{ V}$ is regulated to $V_{Q,\text{nom}} = 5\text{ V}$ with an accuracy of $\pm 2\%$.

The device operates in the wide temperature range of $T_j = -40^\circ\text{C}$ to 150°C .

Two additional features are implemented in the TLE4278 a load dependent watchdog function as well as a sophisticated reset function including power on reset, under voltage reset, adjustable reset delay time and adjustable reset switching threshold.

The watchdog function monitors the microcontroller, including time base failures. In case of a missing rising edge within a certain pulse repetition time the watchdog output is set to “low”. Programming of the max. repetition time can be done easily by an external reset delay capacitor. To prevent a reset in case of missing pulses, the watchdog output WO is separate from the reset output RO for the TLE4278. The watchdog output can be used as an interrupt signal for the microcontroller. In any case it is possible to connect pin WO and pin RO externally.

When the controller is set to sleep mode or low power mode its current consumption drops and no watchdog pulses are created. In order to avoid unnecessary wake-up signals due to missing pulses at pin WI the watchdog feature can be disabled as a function of the load current. The switch off threshold is set by an external resistor to pin WADJ. The watchdog function can also be used as a timer, which periodically wakes up the controller. Therefore the pin WADJ must be connected to the output Q.

The power on reset feature is necessary for a defined start of the microprocessor when switching on the application. The reset signal at pin RO goes “high” after a certain delay timed t_{rd} when the output voltage of the regulator has surpassed the reset threshold. The delay time is set by the external delay capacitor. An under voltage reset circuit supervises the output voltage. In case V_Q falls below the reset threshold the reset output is set to “low” after a short reset reaction time t_{rr} . The reset “low” signal is generated down to an output voltage V_Q of 1 V. In addition the reset switching threshold can be adjusted by an external voltage divider. This feature is useful with microprocessors which ensure a safe operation down to voltages below the internally set reset threshold of 4.65 V typical.

Functional description

4.1 Electrical characteristics

Table 5 Electrical characteristics

$V_I = 13.5\text{ V}$; $-40^\circ\text{C} \leq T_j \leq 125^\circ\text{C}$ (unless otherwise specified)

Parameter	Symbol	Values			Unit	Note or Test Condition
		Min.	Typ.	Max.		
Output voltage	V_Q	4.90	5.00	5.10	V	$0\text{ mA} \leq I_Q \leq 150\text{ mA}$; $6\text{ V} \leq V_I \leq 28\text{ V}$
Output voltage	V_Q	4.8	5.0	5.2	V	$1\text{ mA} \leq I_Q \leq 50\text{ mA}$; $28\text{ V} \leq V_I \leq 45\text{ V}$
Output current limiting	I_Q	200	400	–	mA	$V_Q = 4.8\text{ V}$
Current consumption $I_q = I_1 - I_Q$	$I_{q,o}$	–	180	200	μA	$T_j = 25^\circ\text{C}$; $I_Q = 0\text{ mA}$
Current consumption $I_q = I_1 - I_Q$	$I_{q,o}$	–	210	230	μA	$I_Q = 0\text{ mA}$; $T_j = 85^\circ\text{C}$
Current consumption $I_q = I_1 - I_Q$	$I_{q,150}$	–	5	12	mA	$I_Q = 150\text{ mA}$
Drop voltage $V_{DR} = V_I - V_Q$	V_{dr}	–	0.25	0.5	V	$I_Q = 150\text{ mA}^{1)}$
Load regulation	$\Delta V_{Q,lo}$	-30	-5	–	mV	$I_Q = 5\text{ to }150\text{ mA}$; $V_I = 6\text{ V}$
Line regulation	$\Delta V_{Q,li}$	–	5	20	mV	$V_I = 6\text{ to }28\text{ V}$; $I_Q = 5\text{ mA}$

Reset generator

Reset threshold	$V_{Q,rt}$	4.5	4.65	4.8	V	RADJ connected to GND
Reset headroom	$\Delta V_{Q,rt} = (V_{Q,nom} - V_{Q,rt})$	180	350	–	mV	$I_Q = 10\text{ mA}$
Reset adjust threshold	$V_{RADJ,th}$	1.28	1.35	1.45	V	$V_Q \geq 3.5\text{ V}$
Reset low voltage	$V_{RO,l}$	–	0.20	0.40	V	$R_{ext} = 10\text{ k}\Omega$ to V_Q ; $V_Q \geq 1\text{ V}$
Reset high voltage	$V_{RO,h}$	4.5	–	–	V	–
Reset pull-up	R_{RO}	20	30	45	k Ω	Internal connected to V_Q
Charging current	$I_{D,c}$	2	5	8	μA	$V_D = 1.0\text{ V}$
Upper timing threshold	V_{DU}	1.5	1.9	2.3	V	–
Lower reset timing threshold	V_{DRL}	0.2	0.3	0.4	V	–
Delay time	t_{rd}	12	20	28	ms	$C_D = 47\text{ nF}$
Reset reaction time	t_{rr}	0.4	1.0	2.0	μs	$C_D = 47\text{ nF}$

Functional description

Table 5 Electrical characteristics (cont'd)

$V_I = 13.5\text{ V}$; $-40^\circ\text{C} \leq T_j \leq 125^\circ\text{C}$ (unless otherwise specified)

Parameter	Symbol	Values			Unit	Note or Test Condition
		Min.	Typ.	Max.		
Watchdog						
Activating threshold	$V_{WADJ,th}$	1.28	1.35	1.45	V	Voltage at WADJ
Current ratio	I_Q/I_{WADJ}	650	720	800	–	$I_Q \leq 10\text{ mA}$
Slew rate	dV_{WI}/dt	5	–	–	V/ μs	From 20% up to 80% V_Q
Watchdog low voltage	V_{WOL}	–	0.2	0.4	V	$R_{ext} > 10\text{ k}\Omega$ to V_Q
Watchdog high voltage	V_{WOH}	4.5	–	–	V	–
Watchdog pull-up	R_{WO}	20	30	45	k Ω	Internal connected to V_Q
Charge current	$I_{D,wc}$	2	5	8	μA	$V_D = 1.0\text{ V}$
Discharge current	$I_{D,wd}$	0.6	1.3	2.0	μA	$V_D = 1.0\text{ V}$
Upper timing threshold	V_{DU}	1.5	1.9	2.3	V	–
Lower watchdog timing threshold	V_{DWL}	0.5	0.7	0.9	V	–
Watchdog output pulse period	$T_{WD,p}$	42	60	80	ms	$C_d = 47\text{ nF}$
Watchdog output low time	$t_{WD,l}$	7	13	19	ms	$V_Q > V_{RT}$
Watchdog trigger time	$T_{WI,tr}$	35	47	61	ms	$C_d = 47\text{ nF}$

1) Measured when the output voltage V_Q has dropped 100 mV from the nominal value.

Functional description

4.2 Test circuit

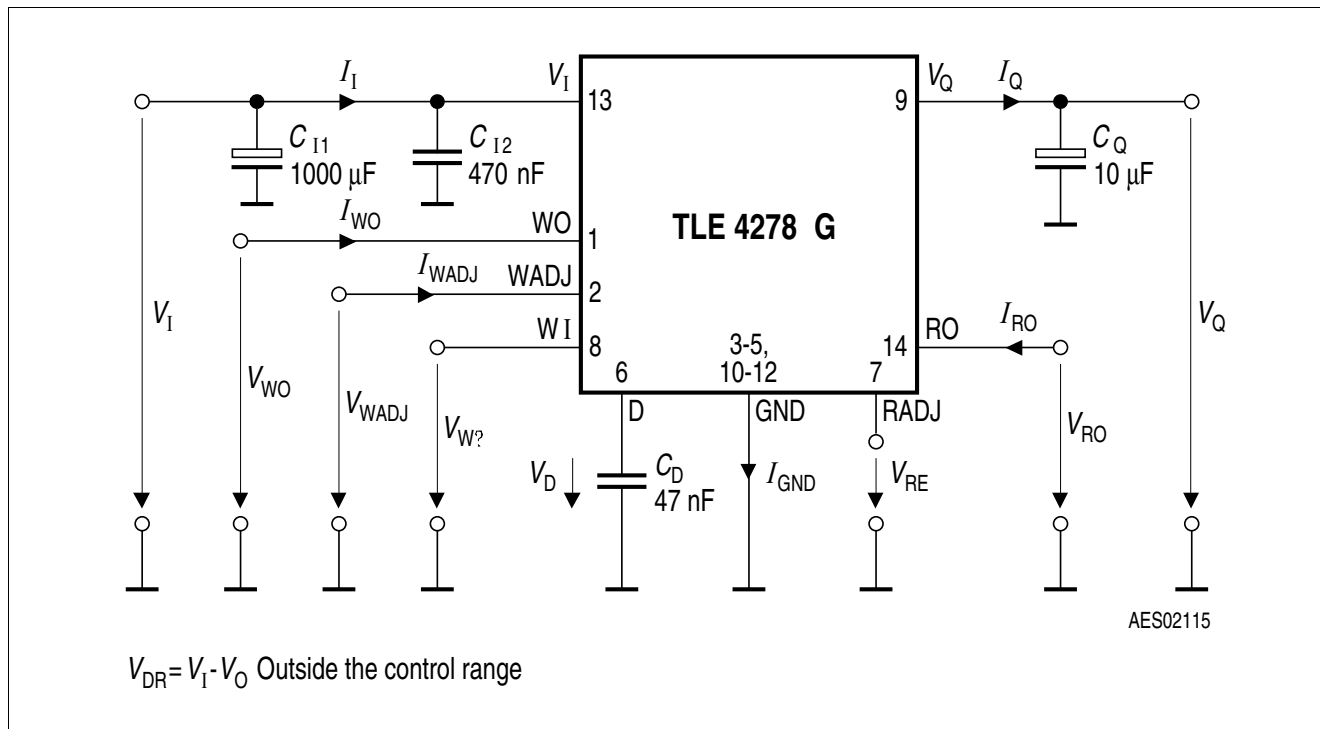
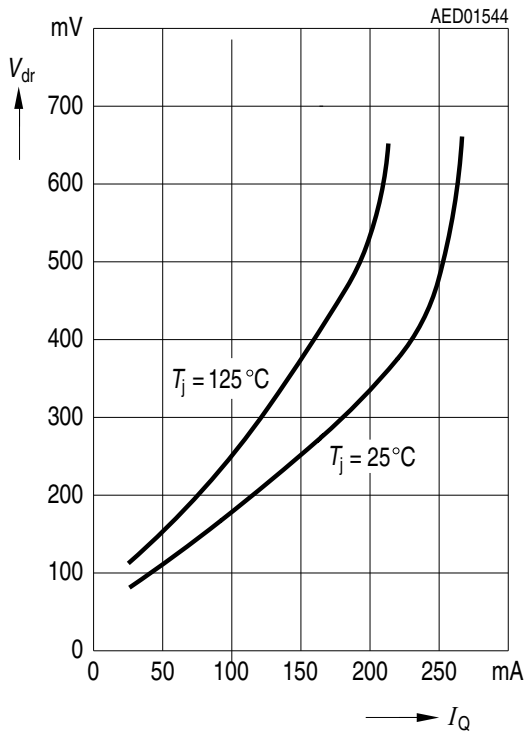


Figure 3 Test circuit

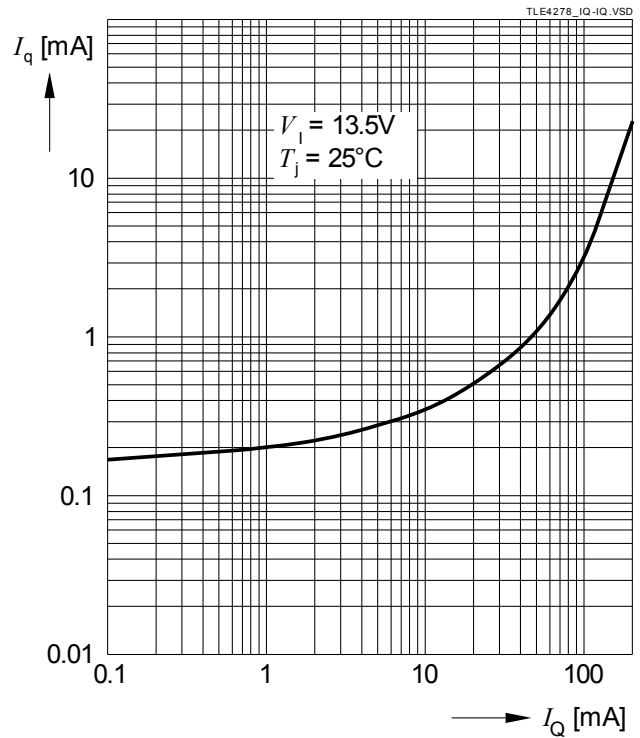
Functional description

4.3 Typical performance characteristics

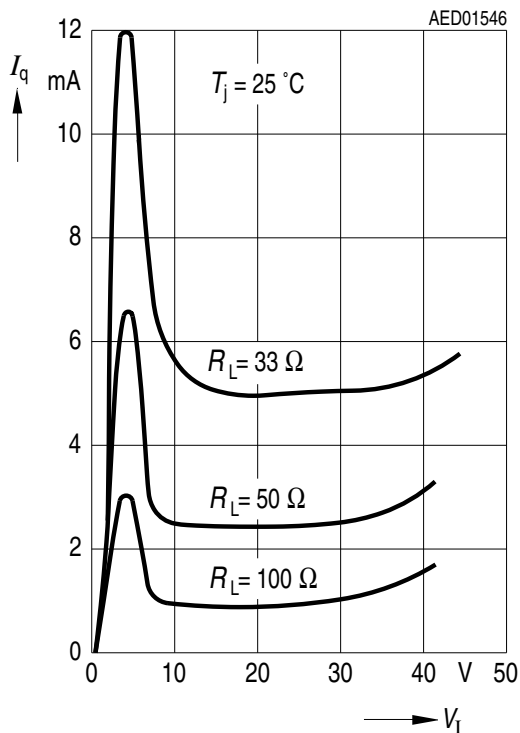
Drop voltage V_{dr} versus output current I_Q



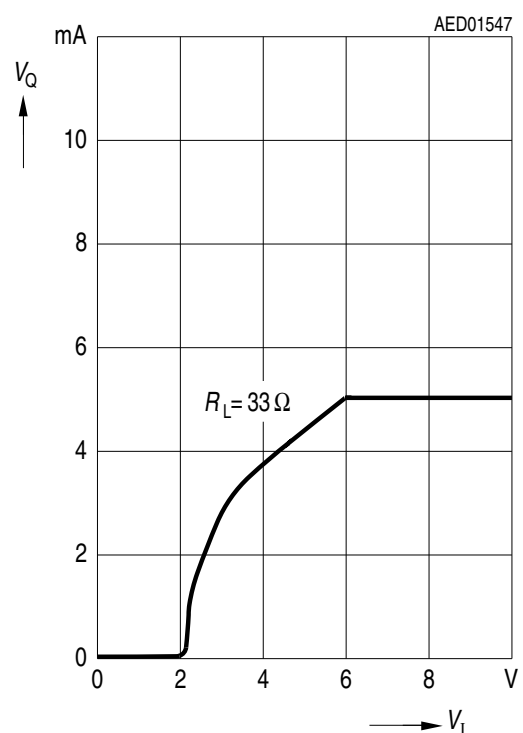
Current consumption I_q versus output current I_Q



Current consumption I_q versus input voltage V_i

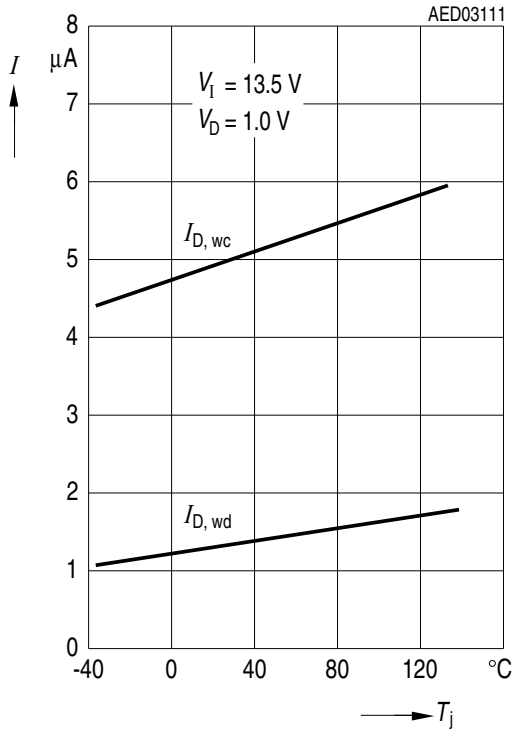


Output voltage V_Q versus input voltage V_i

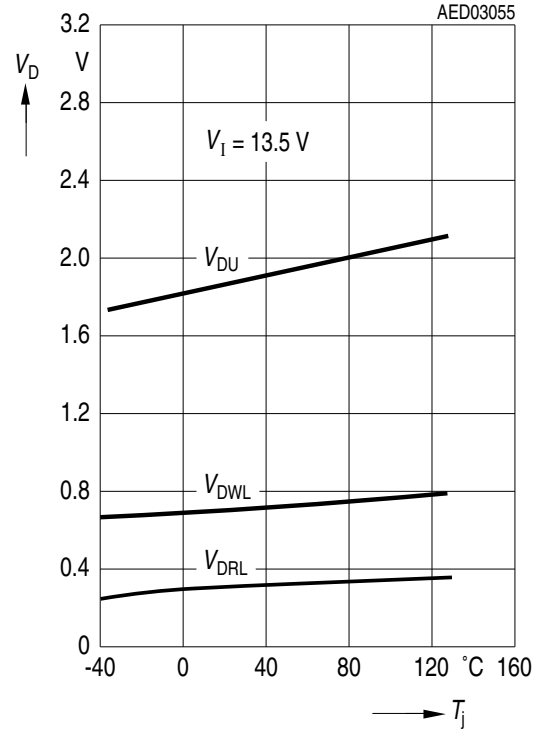


Functional description

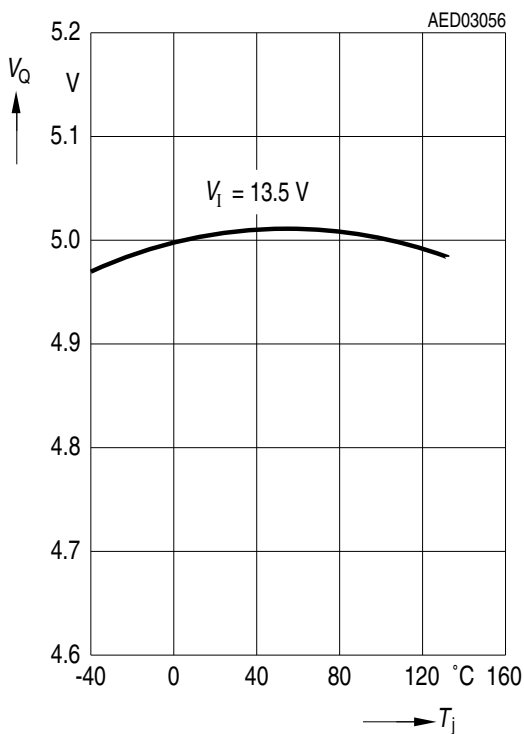
Charge current $I_{D,wc}$ and discharge current $I_{D,wd}$ versus temperature T_j



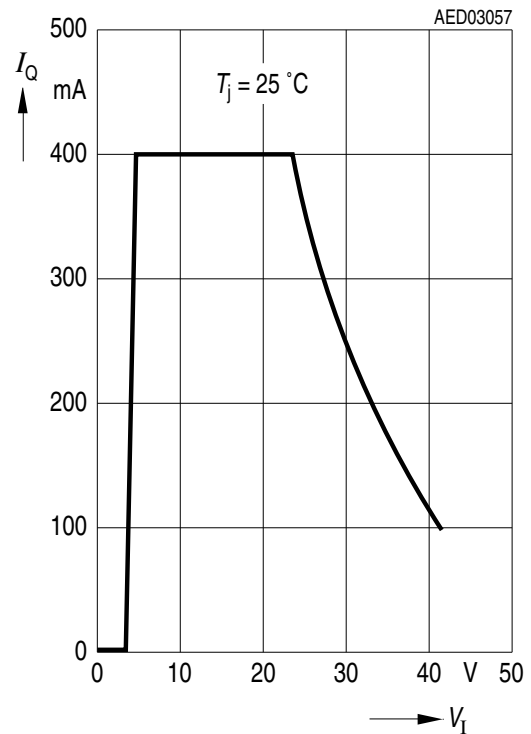
Switching voltage V_{DU} , V_{DWL} and V_{DRL} versus temperature T_j



Output voltage V_Q versus temperature T_j



Output current limit I_Q versus input voltage V_I



Application information

5 Application information

5.1 Input, output

The input capacitors C_{I1} and C_{I2} are necessary for compensating line influences. Using a resistor of approx. $1\ \Omega$ in series with C_{I1} , the LC circuit of input inductance and input capacitance can be damped. To stabilize the regulation circuit the output capacitor C_Q is necessary. Stability is ensured at values $C_Q \geq 10\ \mu\text{F}$ with an $\text{ESR} \leq 5\ \Omega$ within the operating temperature range.

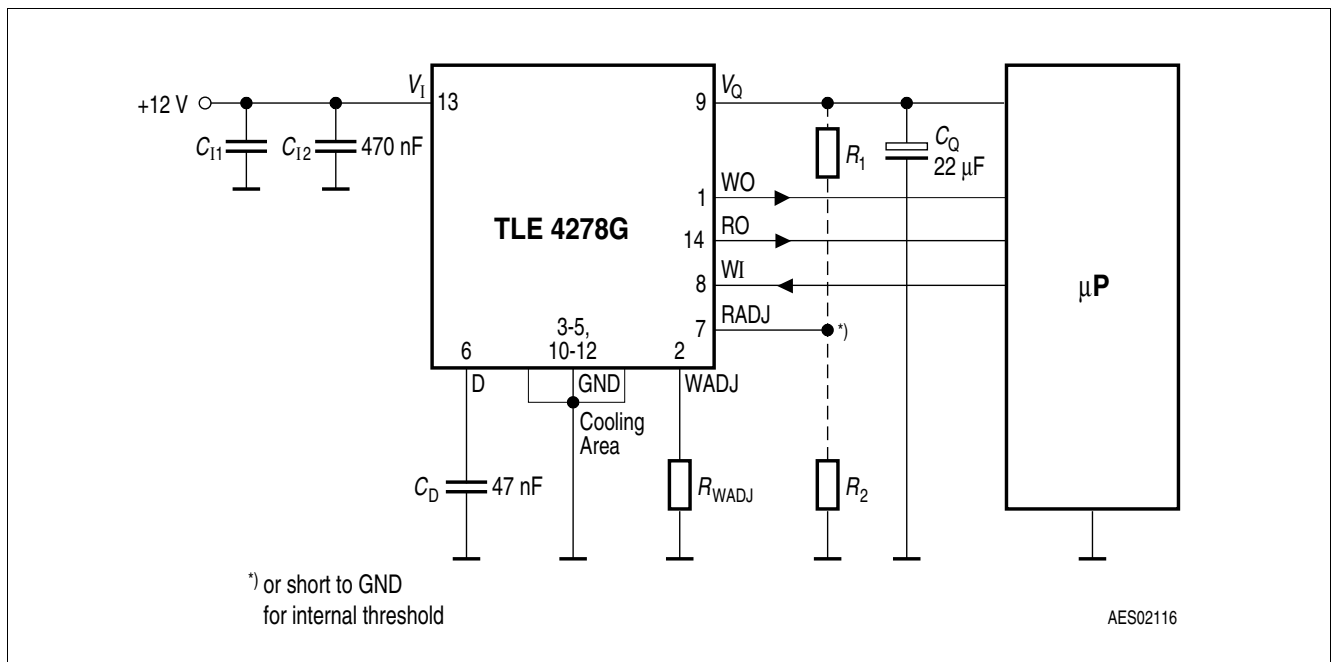


Figure 4 Application circuit

Application information

5.2 Reset timing

The power-on reset delay time is defined by the charging time of an external capacitor C_D which can be calculated as follows:

$$C_D = (\Delta t_{rd} \times I_{D,c}) / \Delta V \tag{5.1}$$

Definitions:

- C_D = delay capacitor
- Δt_{rd} = delay time
- $I_{D,c}$ = charge current, typical 5 μ A
- $\Delta V = V_{DU}$, typical 1.9 V
- V_{DU} = upper delay switching threshold at C_D for reset delay time

The reset reaction time t_{rr} is the time it takes the voltage regulator to set the reset out “low” after the output voltage has dropped below the reset threshold. It is typically 1 μ s for delay capacitor of 47 nF. For other values for C_D the reaction time can be estimated using **Equation (5.2)**:

$$t_{rr} \approx 20 \text{ s/F} \times C_D \tag{5.2}$$

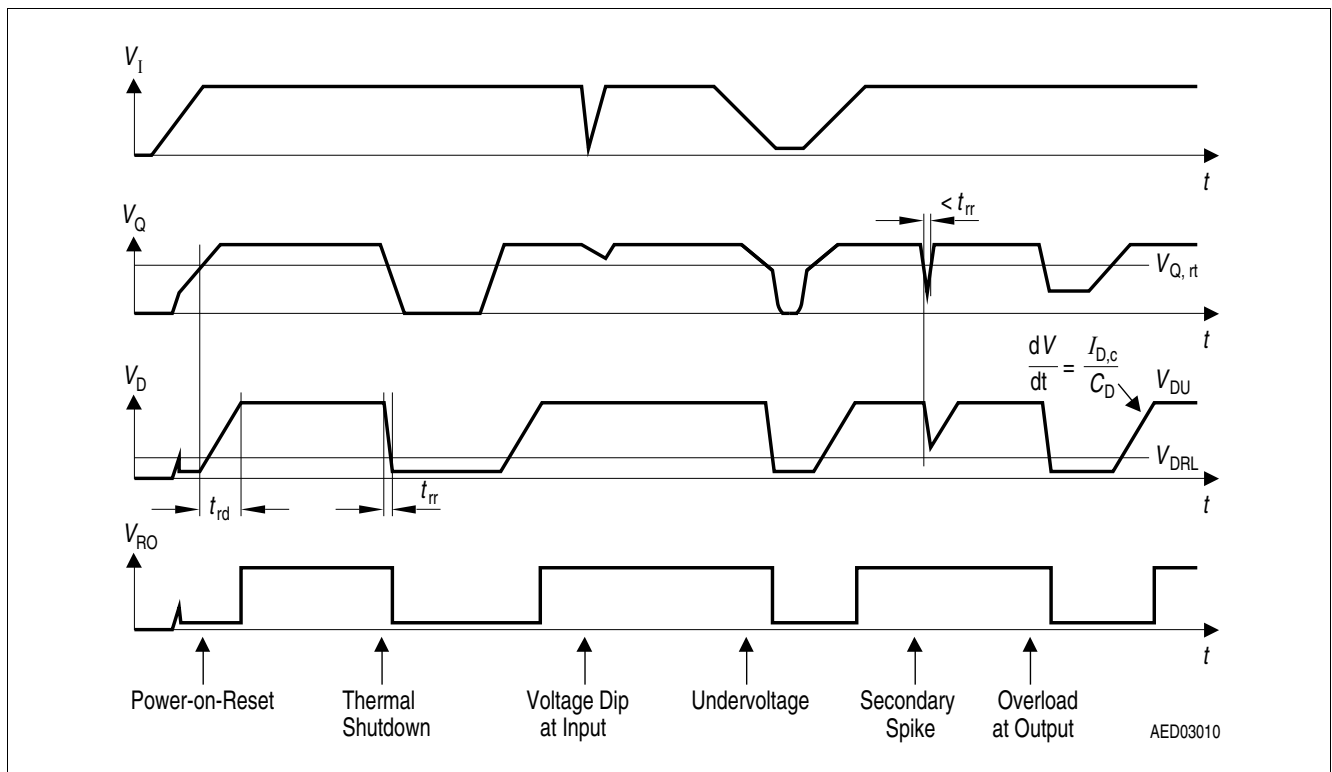


Figure 5 Reset timing (watchdog disabled)

Application information

5.3 Reset switching threshold

The present default value is 4.65 V. When using the TLE4278 the reset threshold can be set to $3.5\text{ V} < V_{Q,rt} < 4.6\text{ V}$ by connecting an external voltage divider to pin RADJ. The calculation can be easily done since the reset adjust input current can be neglected. If this feature is not needed, the pin must be connected to GND.

$$V_{Q,rt} = V_{ref} \times (1 + R_1/R_2) \tag{5.3}$$

Definitions:

- $V_{Q,rt}$ = Reset threshold
- V_{ref} = comparator reference voltage, typical 1.35 V
 (Reset adjust input current $\approx 50\text{ nA}$)

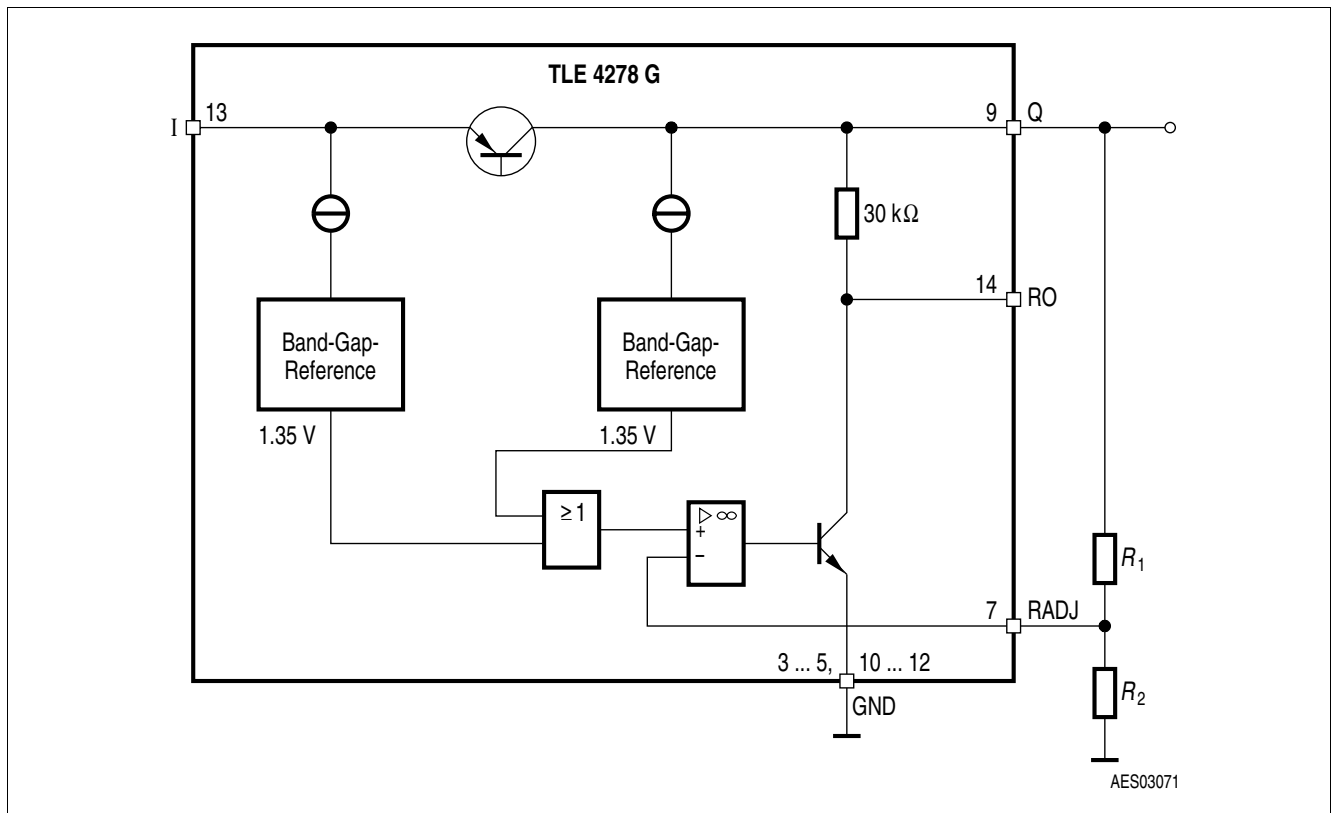


Figure 6 Reset switching threshold

The reset output pin is internally connected to the 5 V output Q via a 30 kΩ pull-up resistor. Down to an output voltage V_Q of typical 1 V the reset “low” signal at pin RO is generated.

For the timing of the reset feature please refer to [Figure 5](#).

Application information

5.4 Watchdog activating

The calculation of the external resistor which adjusts the watchdog switch off threshold can be done by **Equation (5.4)**:

$$R_{WADJ} = V_{WADJ,th} \times (I_Q/I_{WADJ})/I_{Q,act} \tag{5.4}$$

Definitions:

- $V_{WADJ,th}$ = switch off threshold, typical 1.35 V
- I_Q/I_{WADJ} = current ratio, typical 720
- $I_{Q,act}$ = switch off load current

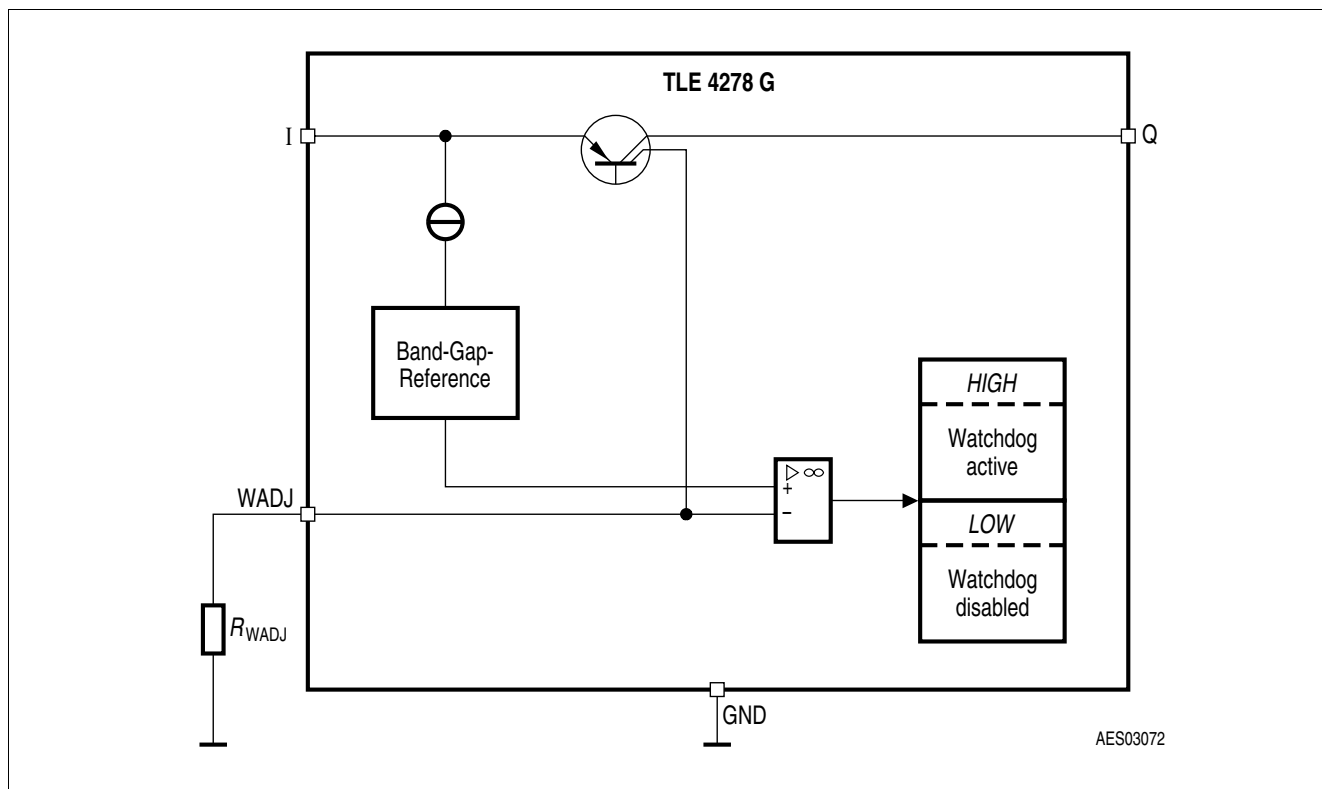


Figure 7 Watchdog activating

Application information

5.5 Watchdog timing

The frequency of the watchdog pulses must be higher than the minimum pulse sequence which is set by the external reset delay capacitor C_D . Calculation can be done according to the formulas given in **Figure 8**.

The watchdog output is internally connected to the output Q via a 30 kΩ pull-up resistor. To generate a watchdog created reset signal for the microcontroller the pin WO can be connected to the reset input of the microcontroller. It is also allowed to parallel the watchdog out to the reset out.

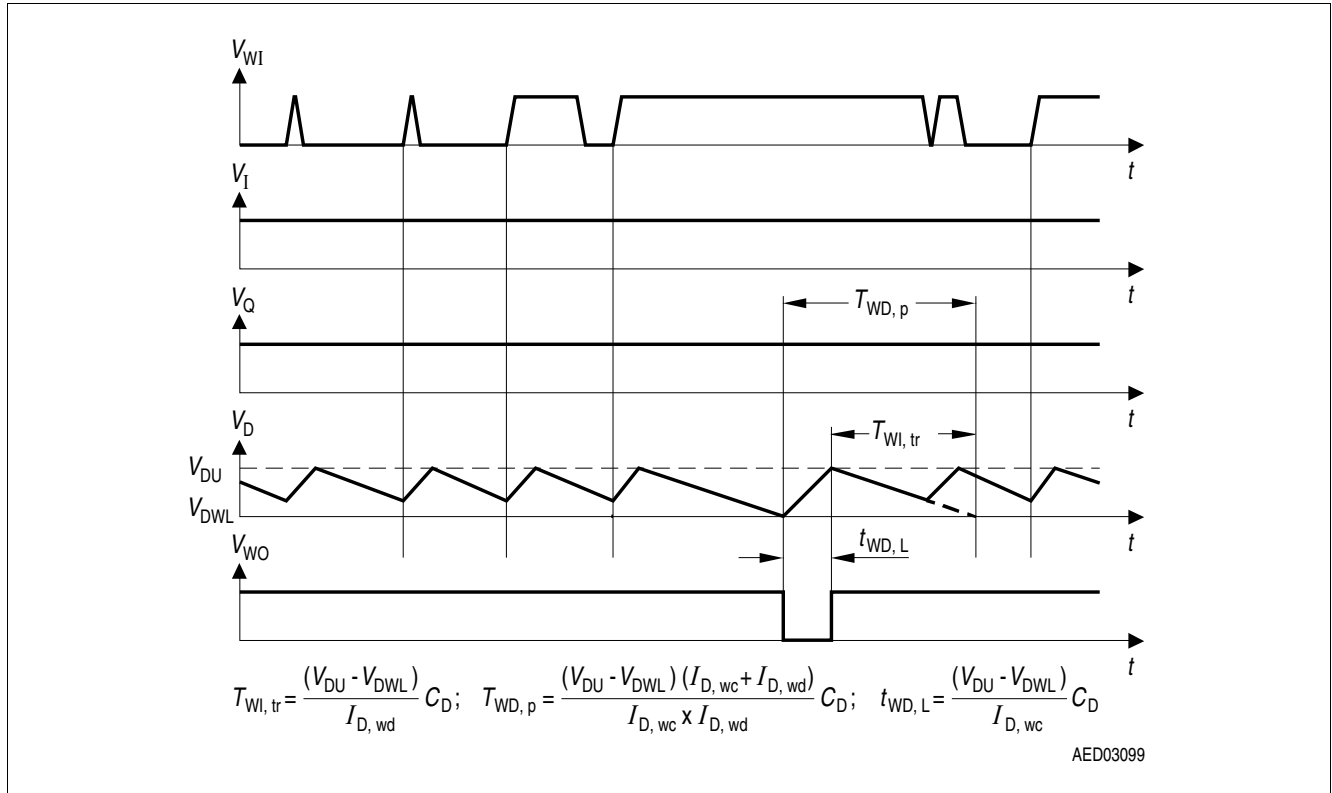


Figure 8 Timing of the watchdog function

Application information

5.6 Hints for unused pins

Table 6 Hints for unused pins

Symbol	Function	Connect to
RO	Reset output	Open
D	Reset delay	Open or to output Q
RADJ	Reset switching threshold adjust	GND
WI	Watchdog input	GND
WO	Watchdog output	Open
WADJ	Watchdog adjust	¹⁾ To output Q via a 270 kΩ resistor: Watchdog always active ²⁾ To GND: Watchdog disabled

6 Package information

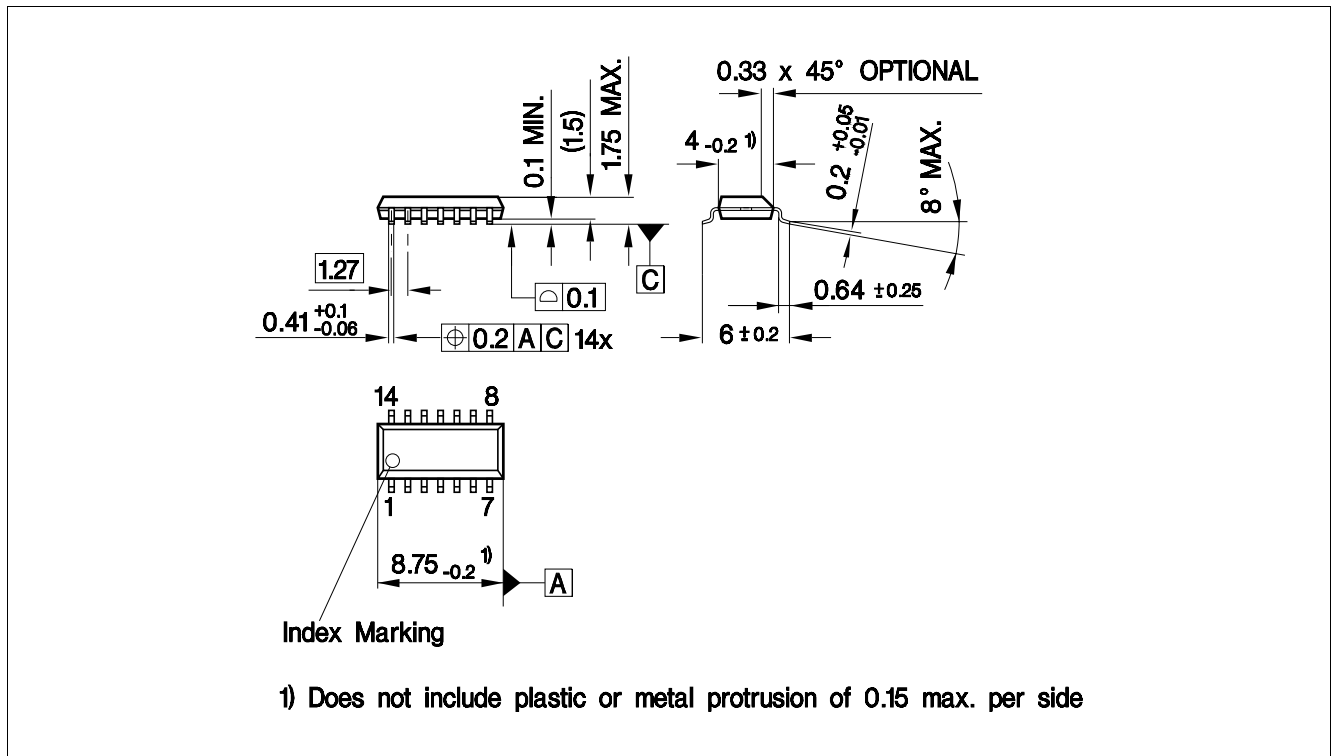


Figure 9 PG-DSO-14 (Plastic Dual Small Outline) ¹⁾

Green Product (RoHS compliant)

To meet the world-wide customer requirements for environmentally friendly products and to be compliant with government regulations the device is available as a green product. Green products are RoHS-Compliant (i.e Pb-free finish on leads and suitable for Pb-free soldering according to IPC/JEDEC J-STD-020).

Further information on packages

<https://www.infineon.com/packages>

1) Dimension in mm

Revision history

7 Revision history

Revision	Date	Changes
1.5	2018-09-10	Updated layout and structure Updated packaged drawing “PG-DSO-14” Editorial changes

Trademarks

All referenced product or service names and trademarks are the property of their respective owners.

Edition 2018-09-10

Published by

Infineon Technologies AG

81726 Munich, Germany

© 2018 Infineon Technologies AG.

All Rights Reserved.

Do you have a question about any aspect of this document?

Email: erratum@infineon.com

Document reference

Z8F55294583

IMPORTANT NOTICE

The information given in this document shall in no event be regarded as a guarantee of conditions or characteristics ("Beschaffheitsgarantie").

With respect to any examples, hints or any typical values stated herein and/or any information regarding the application of the product, Infineon Technologies hereby disclaims any and all warranties and liabilities of any kind, including without limitation warranties of non-infringement of intellectual property rights of any third party.

In addition, any information given in this document is subject to customer's compliance with its obligations stated in this document and any applicable legal requirements, norms and standards concerning customer's products and any use of the product of Infineon Technologies in customer's applications.

The data contained in this document is exclusively intended for technically trained staff. It is the responsibility of customer's technical departments to evaluate the suitability of the product for the intended application and the completeness of the product information given in this document with respect to such application.

For further information on technology, delivery terms and conditions and prices, please contact the nearest Infineon Technologies Office (www.infineon.com).

WARNINGS

Due to technical requirements products may contain dangerous substances. For information on the types in question please contact your nearest Infineon Technologies office.

Except as otherwise explicitly approved by Infineon Technologies in a written document signed by authorized representatives of Infineon Technologies, Infineon Technologies' products may not be used in any applications where a failure of the product or any consequences of the use thereof can reasonably be expected to result in personal injury.