

# TLI4970-D050T5

## Coreless magnetic current sensor for AC and DC measurements

TLI4970-D050T5

### About this document

#### Scope and purpose

This datasheet gives an overview of the features, functionalities, specification and interfaces of the Infineon TLI4970-D050T5 current sensor, a miniature coreless magnetic current sensor for AC and DC measurements with digital interface and fast overcurrent detection, as well as information about available package size and ordering.

#### Intended audience

This datasheet is primarily intended for Current Sensor Module Developers who wish to gain information about the characteristics of the Infineon TLI4970-D050T5 current sensor.

**Table of contents**

**Table of contents**

	<b>About this document</b> .....	1
	<b>Table of contents</b> .....	2
	<b>List of tables</b> .....	4
	<b>List of figures</b> .....	5
<b>1</b>	<b>Product Description</b> .....	6
1.1	Overview .....	6
1.2	Features .....	6
1.3	General Information .....	7
1.4	Target Applications .....	7
<b>2</b>	<b>Functional Description</b> .....	8
2.1	Pin Configuration .....	8
2.2	Block Diagram .....	9
2.3	Functional Description .....	9
2.4	Transfer Function .....	10
2.5	Filter Settings .....	11
2.6	Increased Temperature Range .....	13
<b>3</b>	<b>Specification</b> .....	14
3.1	Absolute Maximum Ratings .....	14
3.2	Operating Conditions .....	14
3.3	Fast Over Current Output .....	17
3.4	Application Circuit .....	18
3.5	Isolation Characteristics .....	19
3.6	CSA Component Acceptance .....	20
3.6.1	Board Description for CSA Component Acceptance Test Conditions .....	20
<b>4</b>	<b>Interfaces</b> .....	22
4.1	SPI Interface Definition .....	22
4.1.1	Logical Interface .....	22
4.1.1.1	Protocol Description .....	22
4.1.1.2	Description of the SPI Data Frames .....	22
4.1.1.2.1	General structure of the 16-bit SPI data frame .....	22
4.1.1.3	Sensor Current Message .....	23
4.1.1.3.1	Structure of the Sensor Value Message .....	23
4.1.1.4	Sensor Status Message .....	23
4.1.1.4.1	Structure of the Sensor Status Message .....	23
4.1.2	Physical SPI Interface .....	24
4.2	Serial Inspection and Configuration Interface (SICI) .....	26
<b>5</b>	<b>Package</b> .....	27

---

**Table of contents**

5.1	PG-TISON-8-1 Package Outline .....	27
5.2	Packing .....	28
5.3	Footprint Recommendation .....	29
5.4	PCB Layout Recommendation .....	29
5.5	Laser Marking .....	30
<b>6</b>	<b>Revision History</b> .....	<b>31</b>
	<b>Disclaimer</b> .....	<b>32</b>

---

**List of tables**

**List of tables**

Table 1	Order Information .....	6
Table 2	Pin Definition and Function .....	8
Table 3	Overview about bandwidth and response time .....	11
Table 4	Absolute Maximum Ratings .....	14
Table 5	Electrical Operating Parameters .....	14
Table 6	Accuracy Parameters .....	15
Table 7	OCD Output Parameter .....	17
Table 8	Typical Application Values .....	18
Table 9	Isolation Parameters according to IEC 60747-5-2 .....	19
Table 10	Isolation Parameters according to UL 1577 .....	19
Table 11	Absolute maximum ratings according to CSA component acceptance .....	20
Table 12	Test board parameters .....	20
Table 13	Heat sink parameters .....	21
Table 14	Interface Timing Parameters (5 MHz SPI clock speed) .....	25
Table 15	Interface Electrical Characteristics (5 MHz SPI clock speed) .....	25

---

**List of figures**

**List of figures**

Figure 1	TLI4970-D050T5 device in PG-TISON-8-1 package	6
Figure 2	Pin configuration PG-TISON-8-1	8
Figure 3	Functional block diagram of the TLI4970-D050T5	9
Figure 4	Transfer function	10
Figure 5	Bode plots for different filter settings	12
Figure 6	Distribution of the maximum total error	16
Figure 7	Application circuit for readout of multiple sensors in parallel bus mode	18
Figure 8	Test board setting	20
Figure 9	Dimension and layout of test board	21
Figure 10	Heat sink dimension (in mm)	21
Figure 11	SPI interface timing: Readout of sensor data	25
Figure 12	PG-TISON-8-1 package dimensions	27
Figure 13	Carrier tape of the PG-TISON-8-1 package	28
Figure 14	Footprint recommendation for reflow soldering	29
Figure 15	PCB layout recommendation	29
Figure 16	Laser marking on the top side	30

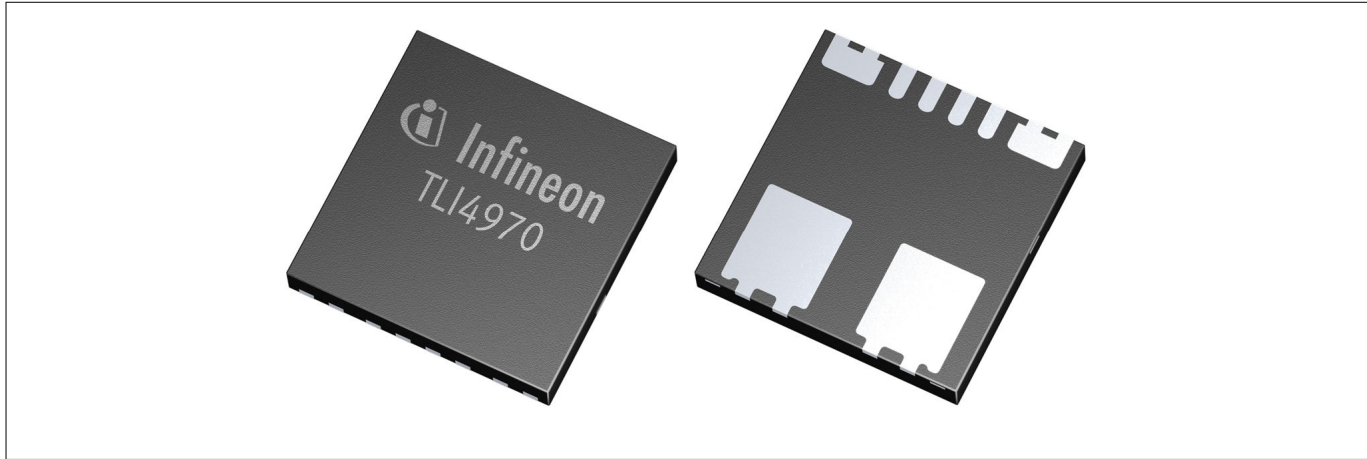
**1 Product Description**

**1 Product Description**



**1.1 Overview**

The TLI4970-D050T5 is an accurate coreless magnetic current sensor. Thus, the output signal is highly linear and without hysteresis. However, a differential measurement principle allows effective stray field suppression. Due to the integrated primary conductor (current rail), there is no need for external calibration. Additionally, a separate interface pin (OCD) provides a fast output signal in case a current exceeds a pre-set threshold. A small leadless package (QFN-like) allows for standard SMD assembly.



**Figure 1** TLI4970-D050T5 device in PG-TISON-8-1 package

**1.2 Features**

- AC & DC measurement range up to  $\pm 25$  A
- Accurate over temperature range and lifetime  
max. 2.9% (0 h), max. 3.5% (over lifetime) of indicated value
- Low offset error (max. 25 mA at room temperature)
- High magnetic stray field suppression
- Fast over current detection with configurable threshold
- Galvanic isolation up to 2.5 kV max. rated isolation voltage (according to UL 1577)
- 16 bit digital SPI output (13 bit current value)
- Small 7 mm x 7 mm SMD package

**Table 1** Order Information

Product Name	Product Type	Package	Ordering Number
TLI4970-D050T5	Qualified according to industrial standards: For use in industrial / consumer applications	PG-TISON-8-1	SP001323146

---

## 1 Product Description

### 1.3 General Information

The TLI4970-D050T5 is an accurate digital current sensor. The full scale measurement range is  $\pm 50$  A. The sensor is based on Infineon's well-established and robust Hall technology.

The measurement principle allows galvanic isolation (functional isolation) between the primary conductor and the secondary interface side.

The coreless concept without a flux concentrator allows significant miniaturization. It shows no hysteresis effects and has enhanced linearity and over current capability compared to existing solutions. The differential measurement principle achieves best-in-class suppression of magnetic stray fields. The sensor is fully calibrated; no need for any additional calibration after PCB assembly is necessary. Thus, the overall implementation effort and costs are significantly reduced. It is a plug-and-play solution, easy to use in industrial and consumer applications.

The accuracy of the TLI4970-D050T5 is comparable to closed-loop current measurement systems and even better than open-loop systems with magnetic core. But in comparison to the open- and closed-loop system the TLI4970-D050T5 enables a significantly smaller footprint and less power consumption.

Infineon's patented stress compensation circuit provides outstanding long-term stability of the output signal. Proprietary dynamic offset cancellation techniques guarantee particularly low zero point error. Hereby, the TLI4970-D050T5 offers superior performance.

The TLI4970-D050T5 is based on a digital concept. Thus, signal processing, compensation and calibration is already integrated. No further external measurements for compensation are needed.

The sensor is provided in a small 7 mm x 7 mm SMD package.

### 1.4 Target Applications

The TLI4970-D050T5 is suitable for AC as well as DC current measurement applications:

- Current monitoring
- Chargers
- Photovoltaic & general purpose inverters
- Power supplies (SMPS)
- Electrical drive
- etc.

With its implemented magnetic interference suppression, it is extremely robust when exposed to external magnetic fields. It is also suitable for fast over current detection with a configurable threshold level. This allows the control unit to switch off and protect the affected system from damage, independently of the main measurement path.

2 Functional Description

2 Functional Description

2.1 Pin Configuration

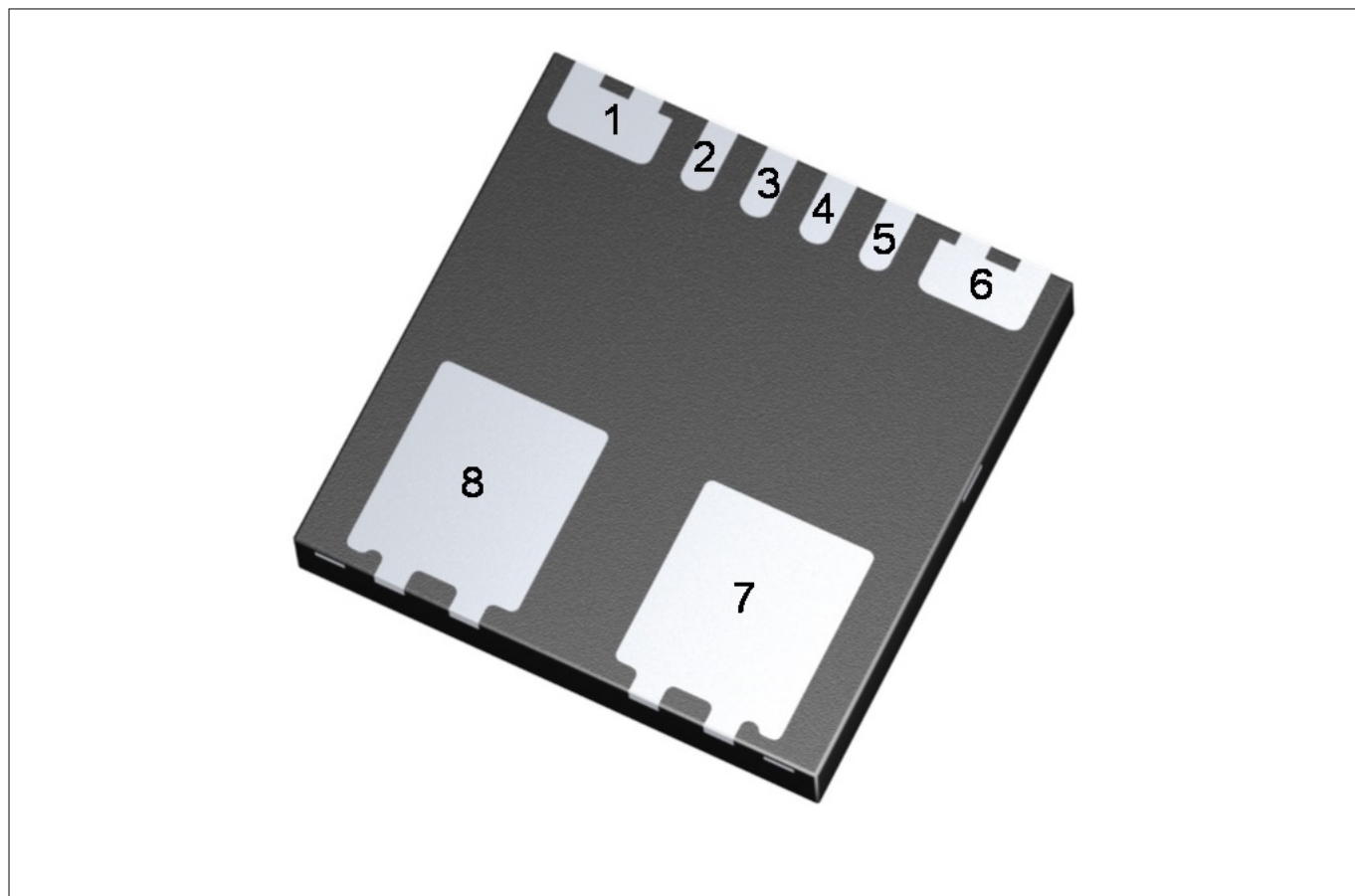


Figure 2 Pin configuration PG-TISON-8-1

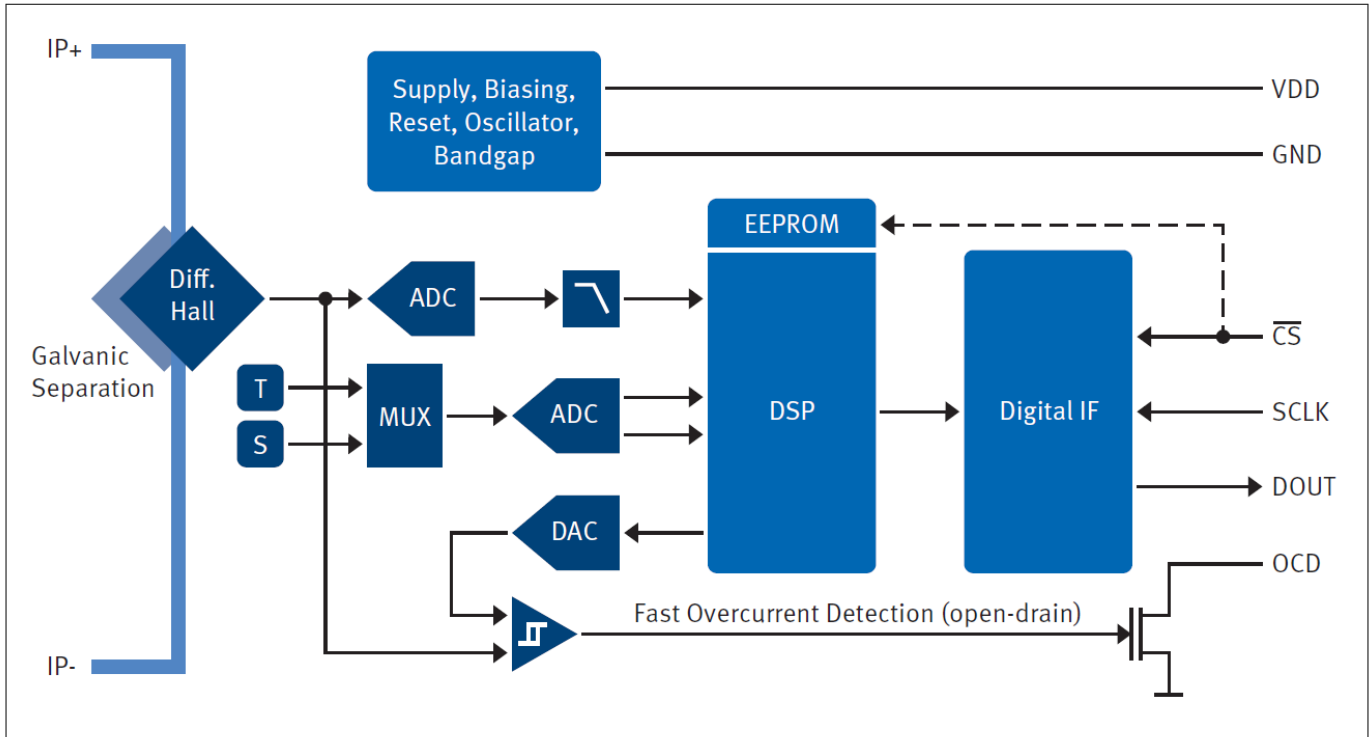
Table 2 Pin Definition and Function

Pin No.	Symbol	Function
1	GND	Ground
2	VDD	Supply voltage
3	DOUT	SPI data out
4	SCLK	Serial clock input
5	$\overline{CS}$	Chip select input (low-active)
6	OCD	Over current detection output (open drain output)
7	IP+	Positive current terminal pin (current-in)
8	IP-	Negative current terminal pin (current-out)



**2 Functional Description**

**2.2 Block Diagram**



**Figure 3 Functional block diagram of the TLI4970-D050T5**

**2.3 Functional Description**

The current, flowing through the current rail on the primary side, induces a magnetic field. This is measured by two differential Hall probes. The signal from the two Hall probes is directly digitalized by a Sigma-Delta-A/D converter (ADC). After the programmable digital low-pass filter, the raw current signal is fed into the DSP. The differential measurement principle of the magnetic field provides a very good suppression of any ambient magnetic stray fields.

The temperature (T) and the mechanical stress (S) of the chip are measured and converted independently of the primary current by a second ADC. The Digital Signal Processing Unit (DSP) uses both temperature and stress information to compensate the raw current signal according to internally stored calibration tables. The interface unit (IF) transmits the fully compensated value via the SPI interface.

Furthermore several parameters like low pass filter settings or over current detection (OCD) levels can be programmed via a Serial Inspection and Configuration Interface (SICI) which are described in the TLI4970 programming guide.

For fast over current detection, the raw analog signal from the Hall probes is fed into a programmable comparator. This comparator has a programmable glitch filter to suppress fast switching transients in the signal and to avoid false triggers. The open-drain output of the OCD-Pin allows readout of over current signals for several TLI4970-D050T5 sensors by only one microcontroller input pin.

**2 Functional Description**

**2.4 Transfer Function**

The transfer function is given by the formula shown in *Equation 1*.

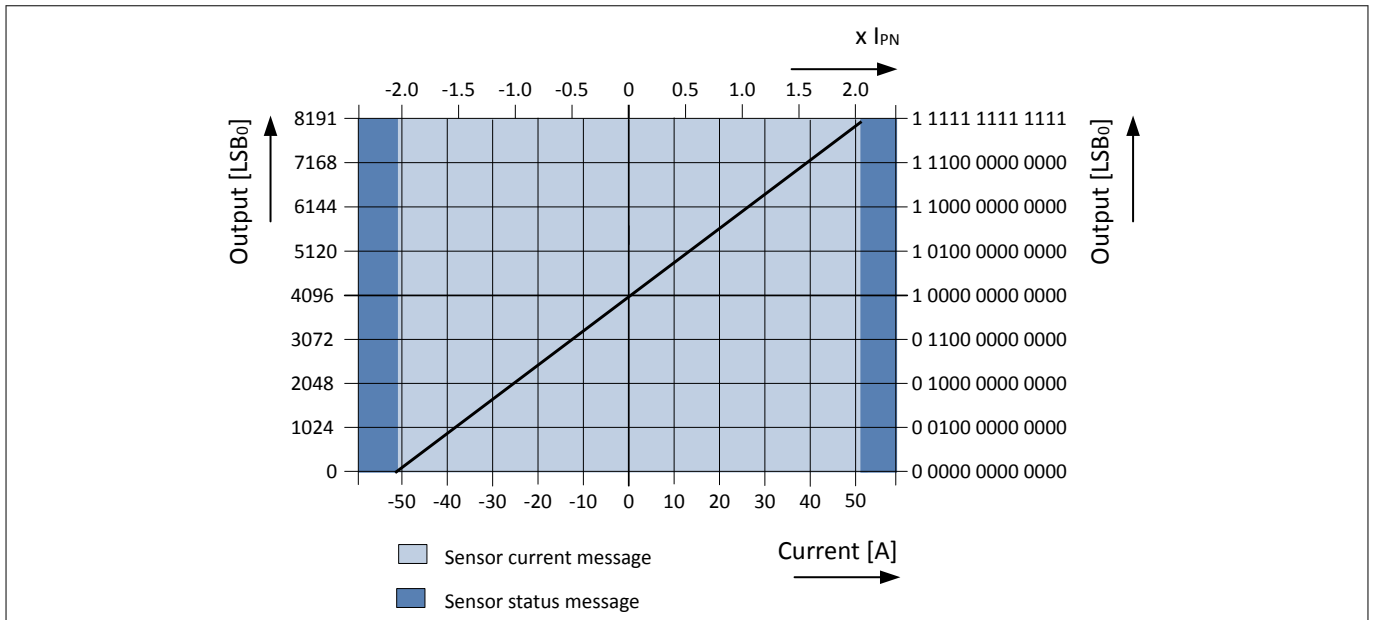
$$I_{out}[A] = \frac{out[LSB_D] - 4096[LSB_D]}{80 \left[ \frac{LSB_D}{A} \right]}$$

$$out[LSB_D] = I[A] \cdot 80 \left[ \frac{LSB_D}{A} \right] + 4096[LSB_D]$$

**Equation 1**

**Transfer function formula**

The basic points are defined by the value  $0_D$  (-51.200A) and  $8191_D$  (51.1875A) Outside this current range, the sensor status message will be sent instead of the sensor current message (see *Figure 4*).



**Figure 4 Transfer function**

## 2 Functional Description

### 2.5 Filter Settings

The transfer function of the TLI4970-D050T5 can be influenced by different filter settings. Finally the combination of a high-pass filter, a prediction filter and a low-pass filter determines the overall transfer function. **Figure 5** shows the Bode plots for different filter settings. The filter settings can be changed by EEPROM programming. The manual for EEPROM programming can be found in the TLI4970 programming guide (application note).

**Table 3** gives an overview about the different filter settings.

**Table 3** Overview about bandwidth and response time

High-pass filter	Prediction filter	Low-pass filter	Bandwidth	Response time <sup>1)</sup>
1	1	7	70 Hz	6.2 ms
1	1	6	130 Hz	3.1 ms
1	1	5	260 Hz	1.6 ms
1	1	4	530 Hz	781 $\mu$ s
1	1	3	1.1 kHz	394 $\mu$ s
1	1	2	2.4 kHz	201 $\mu$ s
1	1	1	5.2 kHz	109 $\mu$ s
1	1	0	6.9 kHz	92 $\mu$ s
0	0	0	10 kHz	70 $\mu$ s
0	1	0	18 kHz	57 $\mu$ s

Note: TLI4970-D050T5 default factory setting is 18 kHz.

<sup>1</sup> 90% of final value based on 50 A step function

2 Functional Description

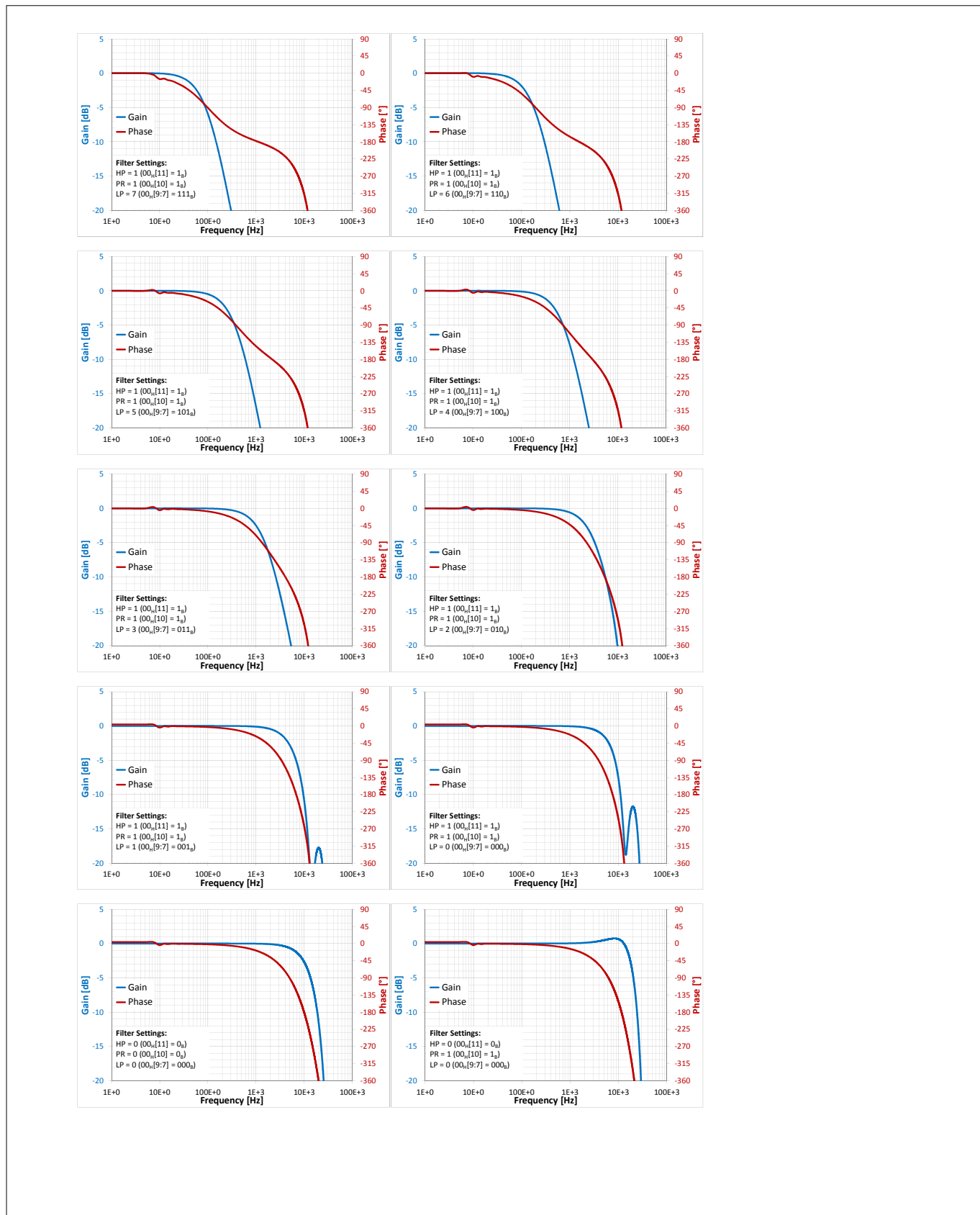


Figure 5 Bode plots for different filter settings

---

**2 Functional Description****2.6 Increased Temperature Range**

The max. specified ambient operating temperature of 85°C is limited due to the power dissipation in the current rail. The thermal loss finally increases the junction temperature which has to be limited to 125°C.

Reducing the current through the current rail decreases the thermal loss and therewith a higher ambient operating temperature is possible.

### 3 Specification

## 3 Specification

### 3.1 Absolute Maximum Ratings

**Table 4 Absolute Maximum Ratings**

General conditions (unless otherwise specified):  $V_{DD} = 3.3\text{ V}$ ;  $T_A = -40\text{ °C} \dots +85\text{ °C}$

Parameter	Symbol	Values			Unit	Note or Test Condition
		Min.	Typ.	Max.		
Supply voltage	$V_{DD}$	-0.3	-	+3.6	V	
Maximum primary current	$I_P$	-60	-	+60	A	$T_A = T_{\text{Contact\_IP\_IN}}$ <sup>2)</sup>
Maximum primary pulse current	$I_{P\_PULSE}$	-	-	150	A	Max. 3 pulses, 200 ms each; tested with 105 $\mu\text{m}$ Cu layer on PCB
Voltage on interface pins DOUT, SCLK & OCD	$V_{IO}$	-0.3	-	+3.6	V	
Voltage on interface pin $\overline{\text{CS}}$	$V_{IO\_CS}$	-0.3	-	+21.0	V	
ESD voltage <sup>3)</sup>	$V_{ESD\_HBM}$	-	-	$\pm 2$	kV	
Maximum junction temperature	$T_{J\_max}$	-	-	+125	°C	
Storage temperature	$T_{A\_STORE}$	-40	-	+125	°C	Not connected

**Attention:** Stresses above the limit values listed here may cause permanent damage to the device. Exposure to absolute maximum rating conditions for extended periods may affect device reliability. Maximum ratings are absolute ratings; exceeding only one of these values may cause irreversible damage to the integrated circuit.

### 3.2 Operating Conditions

**Table 5 Electrical Operating Parameters**

General conditions (unless otherwise specified):  $V_{DD} = 3.3\text{ V}$ ;  $T_A = -40\text{ °C} \dots +85\text{ °C}$

Parameter	Symbol	Values			Unit	Note or Test Condition
		Min.	Typ.	Max.		
Supply voltage	$V_{DD}$	3.1	3.3	+3.5	V	
Voltage on interface pin $\overline{\text{CS}}$	$V_{IO\_CS}$	-0.3	-	+3.6	V	Normal operation
	$V_{IO\_PROG}$	+20.5	-	+20.7	V	Only during programming
Current consumption	$I_{DD}$	5	12	20	mA	Secondary side

<sup>2)</sup>  $T_{\text{Contact\_IP\_IN}}$ : Temperature of current rail on PCB at solder joint.

### 3 Specification

**Table 5 Electrical Operating Parameters (continued)**

General conditions (unless otherwise specified):  $V_{DD} = 3.3\text{ V}$ ;  $T_A = -40\text{ °C} \dots +85\text{ °C}$

Parameter	Symbol	Values			Unit	Note or Test Condition
		Min.	Typ.	Max.		
Full-scale primary current measurement range	$I_{PFSR}$	-50	-	+50	A	
Primary resistance	$R_P$	-	0.6	-	mΩ	Resistance of current rail $T_A = 25\text{ °C}$ $T_{J\_max}$
		-	-	1.0	mΩ	
Ambient temperature	$T_A$	-40	-	+85	°C	$T_A = T_{Contact\_IP\_IN}$ <sup>4)</sup>

**Table 6 Accuracy Parameters**

General conditions (unless otherwise specified):  $V_{DD} = 3.3\text{ V}$ ;  $T_A = -40\text{ °C} \dots +85\text{ °C}$

Parameter	Symbol	Values			Unit	Note or Test Condition
		Min.	Typ.	Max.		
Relative offset error	$\epsilon_{ROE}$	-0.05	-	+0.05	% of	@ 0A DC & $T_A = 25\text{ °C}$ @ 0A DC & $T_A = -40\text{ °C}$ @ 0A DC & $T_A = 85\text{ °C}$
		-0.075	-	+0.075	$I_{PFSR}$	
		-0.15	-	+0.15	% of	
					$I_{PFSR}$	
Absolute offset error	$\epsilon_{AOE}$	-25.0	-	+25.0	mA	@ 0A DC & $T_A = 25\text{ °C}$ @ 0A DC & $T_A = -40\text{ °C}$ @ 0A DC & $T_A = 85\text{ °C}$
		-37.5	-	+37.5	mA	
		-75.0	-	+75.0	mA	
Relative total error (gain, offset, linearity) incl. lifetime-drift and whole temperature range <sup>5)</sup>	$\epsilon_{RTE}$	-3.5	-	+3.5	% of $I_P$	Percentage of indicated value
Absolute total error (gain, offset, linearity) incl. lifetime-drift and whole temperature range <sup>5)</sup>	$\epsilon_{ATE}$	-35.0	-	+35.0	mA/A	Absolute total error proportional to $I_P$
Update rate	$f_{UPDATE}$	-	80	-	kSPS <sup>6)</sup>	
Resolution	$G$	-	12.5	-	mA / LSB	13-Bit current value via SPI

<sup>3</sup> According to standard EIA / JESD22-A114-E Human Body Model (HBM)

<sup>4</sup>  $T_{Contact\_IP\_IN}$ : Temperature of current rail on PCB at solder joint.

<sup>5</sup> Valid for soldered parts on PCB based on the footprint recommendation in **Figure 14** and a copper thickness of 70 μm

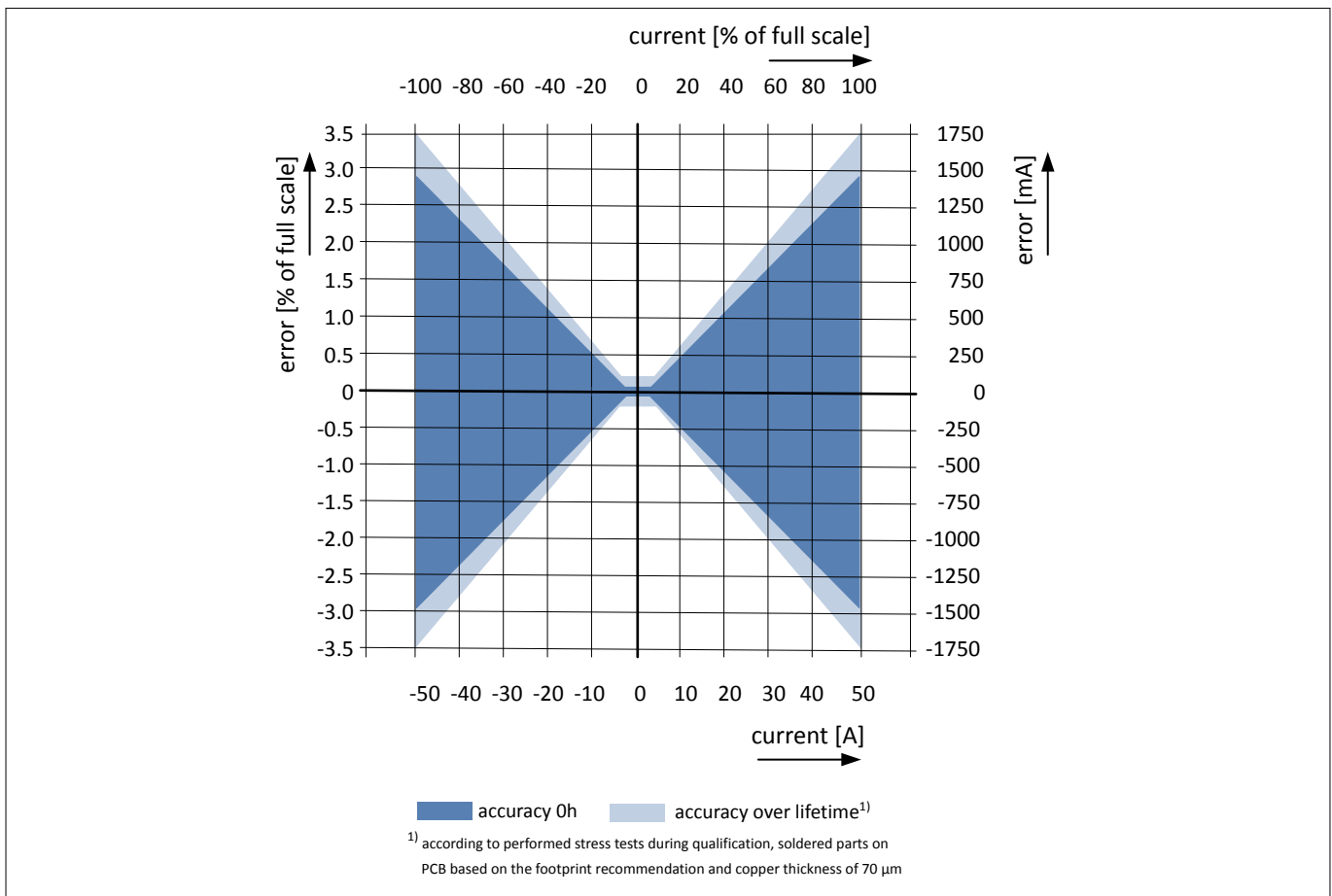
<sup>6</sup> kSPS: Thousand samples per second

**3 Specification**

**Table 6 Accuracy Parameters (continued)**

General conditions (unless otherwise specified):  $V_{DD} = 3.3\text{ V}$ ;  $T_A = -40\text{ °C} \dots +85\text{ °C}$

Parameter	Symbol	Values			Unit	Note or Test Condition
		Min.	Typ.	Max.		
Noise <sup>7)</sup>	$I_{NOISE}$	-	10	-	$\text{mA}_{RMS}$	@ $T_A = 25\text{ °C}$ & $BW_I = 1.1\text{ kHz}$ <sup>8)</sup>
Bandwidth of current measurement path	$BW_{I\_min}$	-	70	-	Hz	-3 dB cutoff; see <a href="#">Chapter 2.5</a> for filter settings
	$BW_{I\_max}$	-	18	-	kHz	
Power-on time		-	-	15	ms	To stable and accurate output data



**Figure 6 Distribution of the maximum total error**

<sup>7)</sup> Characterized in the laboratory for small signals;  $I_P = 0\text{ mA}$

<sup>8)</sup> Bandwidth settings will affect noise



### 3 Specification

#### 3.3 Fast Over Current Output

The Fast Over Current (OCD) pin allows fast detection of an over current in the measurement path. The OCD signal path is independent from the bandwidth limited current signal path and has a programmable glitch filter to avoid false triggers by noise spikes on the current rail. The symmetric threshold level of the OCD output is adjustable and triggers an over current event in case of a positive or negative over current.

In addition a zero-crossing functionality can be programmed (in this case the over current detection is disabled).

If connected via an external pull-up resistor to a logic input pin of the microcontroller, it can be used to trigger an interrupt in the microcontroller and quickly shut off the system to avoid damage from the over current event. The OCD pin has an open-drain output that allows monitoring of several current sensors via only one microcontroller input pin. For details, please refer to the application circuit shown in [Figure 7](#).

The instruction for the settings can be found in the TLI4970 programming guide.

**Table 7**                    **OCD Output Parameter**

General conditions (unless otherwise specified):  $V_{DD} = 3.3\text{ V}$ ;  $T_A = -40\text{ °C} \dots +85\text{ °C}$

Parameter	Symbol	Values			Unit	Note or Test Condition
		Min.	Typ.	Max.		
Threshold level <sup>9)</sup>	$I_{THR}$	3	-	90	A	Programmable (EEPROM). Default factory value 30A.
Accuracy	$X_{OCD}$	-	10	-	% $I_{PFSR}$	
Response time of fast over current detection <sup>10)11)</sup>	$t_{D\_OC}$	-	1.8	3.5	$\mu\text{s}$	Only valid for $\Delta I/\Delta t < 500\text{ kA/s}$
Load capacitance	$C_L$	-	-	1	nF	To GND
Open-drain current	$I_{OD\_on}$	-	-	1	mA	Resistive to $V_{DD}$ ; $V_{OD\_on} \leq 0.2 \times V_{DD}$
Pull-up resistor	$R_{PU}$	4.7	-	-	k $\Omega$	To $V_{DD}$
De-glitch filter time	$t_{deglitch}$	-	750	-	ns	Default factory value

<sup>9</sup> Symmetric threshold level for positive and negative currents

<sup>10</sup> Falling edge level of OCD-pin  $< 0,5V_{DD}$

<sup>11</sup> Characterized in lab under worst case test conditions:  $R_{PU} = 4.7\text{k}\Omega$  to  $V_{DD}$ ;  $C_L = 1\text{ nF}$  to GND

3 Specification

3.4 Application Circuit

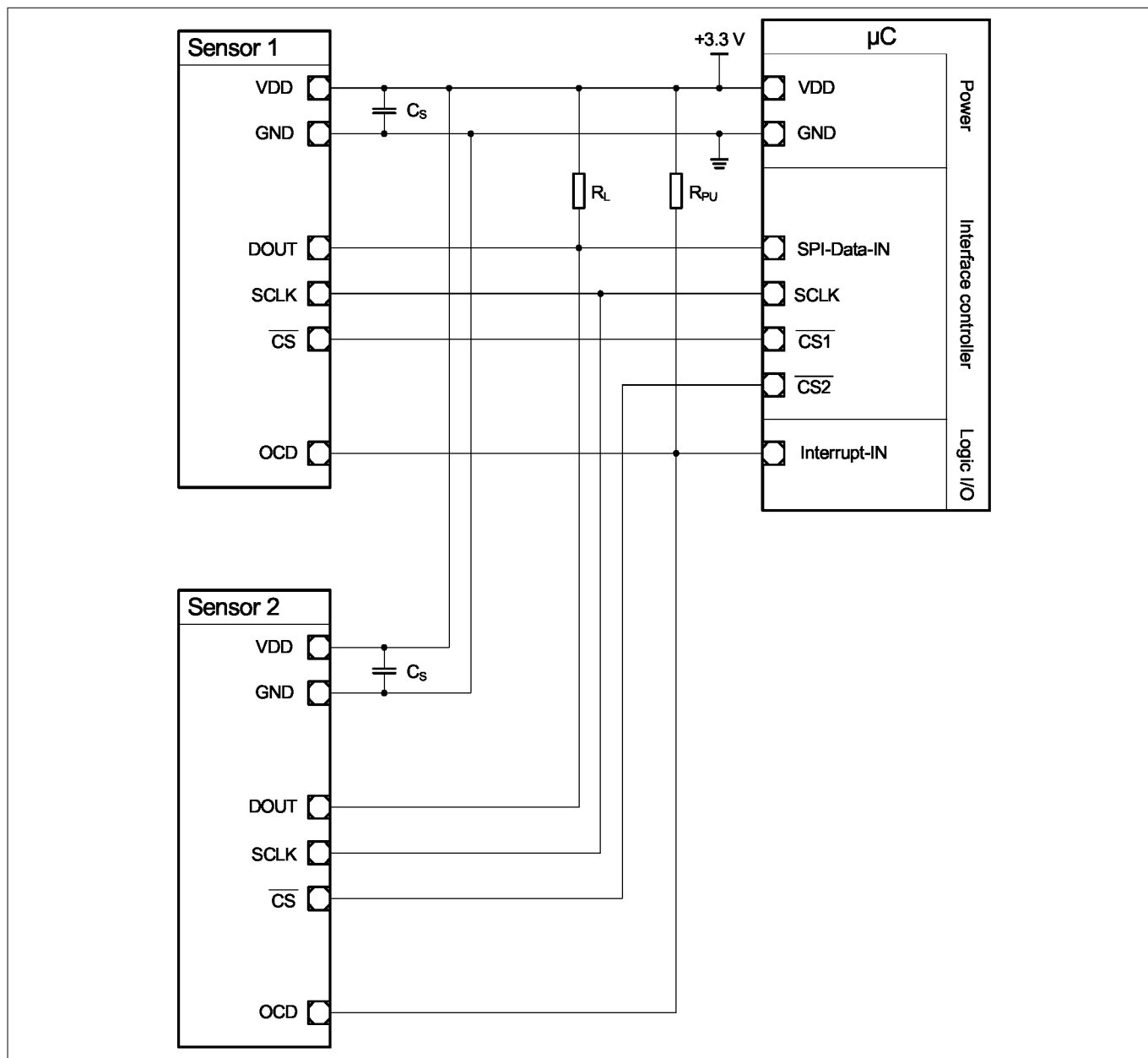


Figure 7 Application circuit for readout of multiple sensors in parallel bus mode

Table 8 Typical Application Values

Name	Value
$R_{PU}$	47 k $\Omega$
$R_L$	100 k $\Omega$
$C_S$	100 nF

### 3 Specification

#### 3.5 Isolation Characteristics

The TLI4970-D050T5 is qualified and tested according IEC and UL standards (functional isolation).

**Table 9 Isolation Parameters according to IEC 60747-5-2**

Description	Symbol	Characteristic	Unit
Maximum rated working voltage (AC & DC-voltage) <sup>12)13)14)</sup>	$U_{IOWM}$	330	V
Maximum repetitive isolation voltage (max. AC & DC-voltage) <sup>12)14)</sup>	$U_{IORM}$	330	$V_{peak}$
Apparent charge test voltage (Method B) <sup>12)14)15)</sup> Partial discharge < 5pC	$U_{pd,b}$	900	$V_{peak}$
Isolation test voltage (1 sec) <sup>12)</sup>	$U_{ISO}$	2546	$V_{RMS}$
Maximum surge voltage (1.2 / 50 $\mu$ s) <sup>12)</sup>	$U_{IOSM}$	3600	$V_{peak}$
Minimum external creepage distance	CPG	3.0	mm
Minimum external clearance distance	CLR	3.0	mm
Minimum comparative tracking index	CTI	575 (Material group II)	
Isolation resistance, $U_{IO} = 500$ V <sup>16)</sup>	$R_{IO}$	$> 10^{10}$	$\Omega$

**Table 10 Isolation Parameters according to UL 1577**

Description	Symbol	Characteristic	Unit
Maximum rated isolation voltage (1 min.)	$U_{ISO}$	2546	$V_{RMS}$
Isolation test voltage (1 sec)	$U_{ISO}$	2546	$V_{RMS}$

<sup>12)</sup> Refer to IEC 60747-5-2 for a detailed description of voltages and partial discharge tests

<sup>13)</sup> The given value is just an example based on pollution degree 2

<sup>14)</sup> According to performed stress test (85°C, 85% relative humidity, 1000 h test time & 600 V applied insulation voltage)

<sup>15)</sup> Tested with 50 Hz at room temperature

<sup>16)</sup> Not subject to production test - verified by design/characterization

**3 Specification**

**3.6 CSA Component Acceptance**

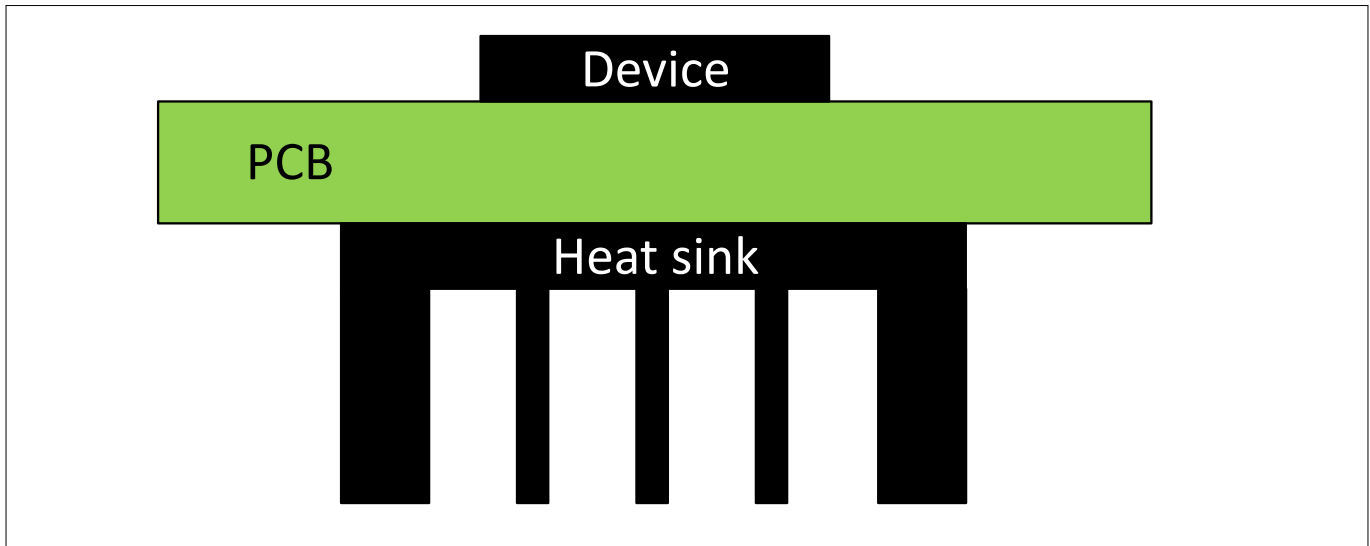
The following section describes the test condition for the CSA component acceptance.

**Table 11 Absolute maximum ratings according to CSA component acceptance**

Description	Symbol	Characteristic	Unit
Absolute maximum ambient temperature	$T_{A\_CA}$	85	°C
Absolute maximum Isolation voltage <sup>17)</sup>	$U_{ISO\_CA}$	2546	$V_{RMS}$
Absolute maximum current <sup>18)</sup>	$I_{PFSR\_CA}$	50	A <sup>19)</sup>

**3.6.1 Board Description for CSA Component Acceptance Test Conditions**

The device was soldered on a test board described in [Figure 9](#) and [Table 12](#). Besides, a heat sink was mounted [Figure 8](#).



**Figure 8 Test board setting**

**Table 12 Test board parameters**

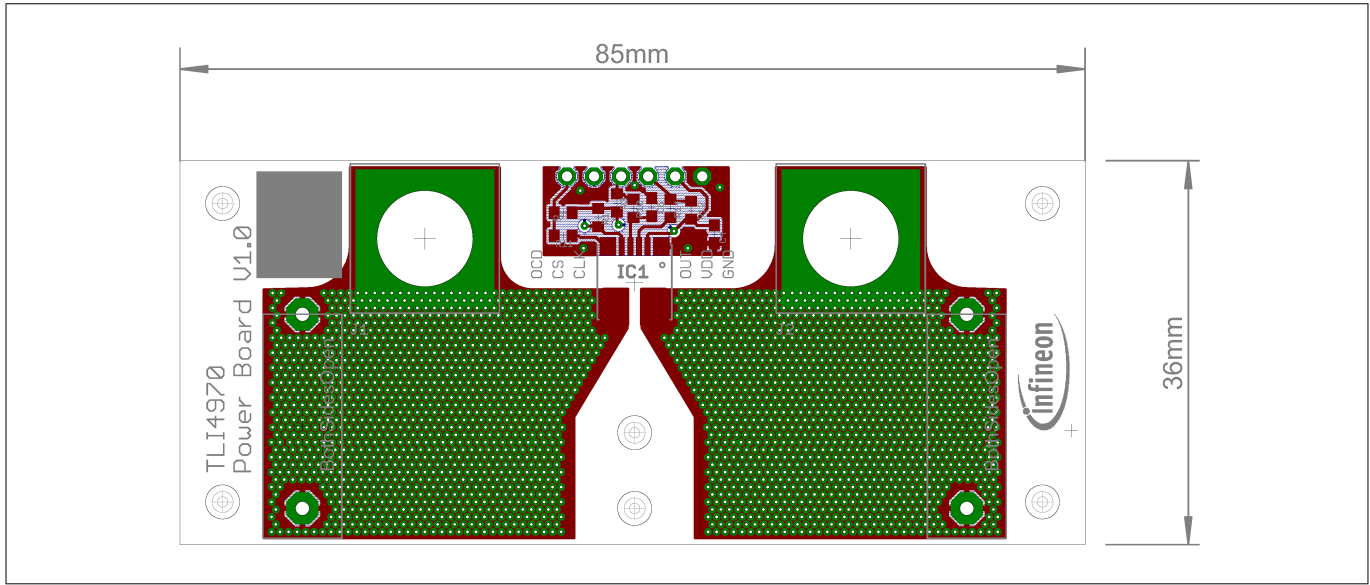
Description	Value
Dimension	85 mm x 36 mm
PCB material	FR4
PCB thickness	1.55 μm
No. of copper layers	4
Thickness of each copper layer	105 μm

<sup>17</sup> Test conditions: 60 Hz for 60 s

<sup>18</sup> Test condition: 4h, the device was mounted on the PCB described below

<sup>19</sup> rms or DC

**3 Specification**

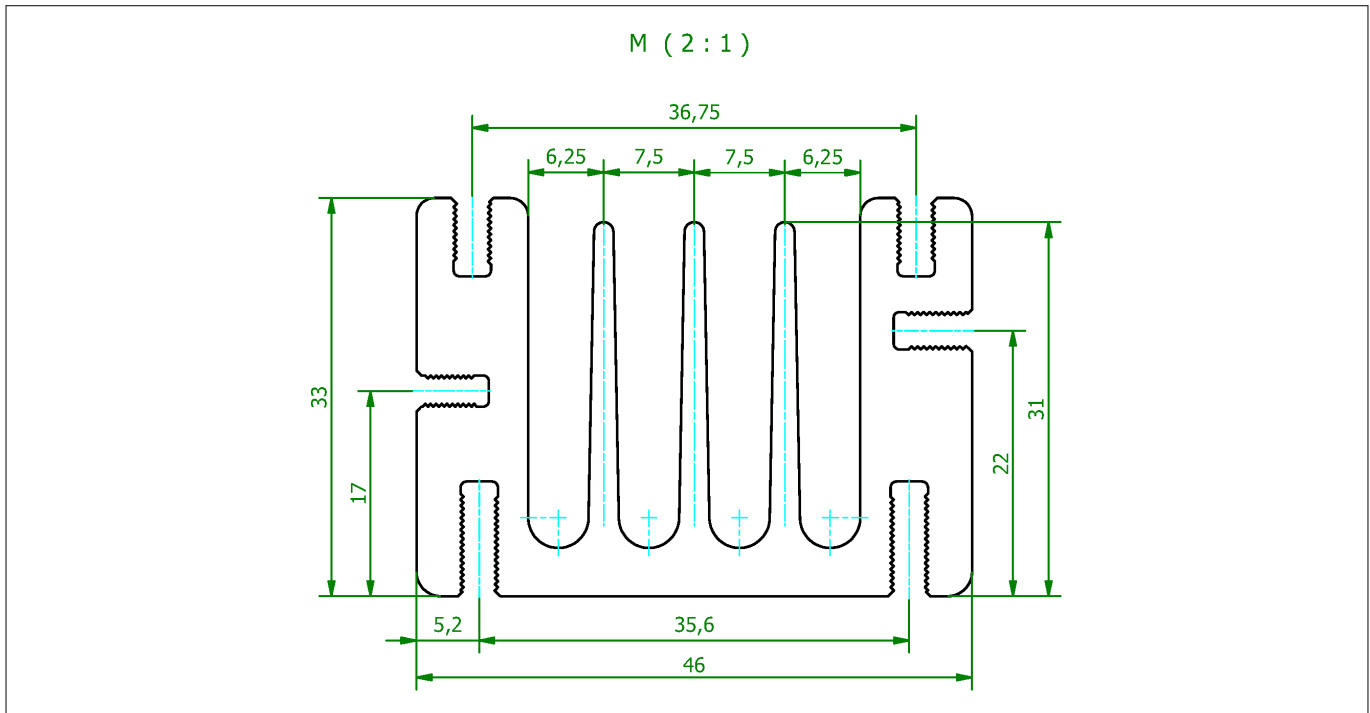


**Figure 9** Dimension and layout of test board

In [Table 13](#) and [Figure 10](#) the used heat sink is described.

**Table 13** Heat sink parameters

Description	Value
Type	SK68
Manufacturer	Fischer Elektronik
Dimension	33 mm x 46 mm x 50 mm
Thermal resistance	4.8 K/W



**Figure 10** Heat sink dimension (in mm)

**4 Interfaces**

**4 Interfaces**

**4.1 SPI Interface Definition**

The TLI4970-D050T5 has a 3-pin serial peripheral interface (SPI). A standard unidirectional 16-bit SPI protocol is used. Several sensors can be connected to a parallel SPI bus. An example on how to connect multiple sensors is given in [Figure 7](#). The timing parameters are given in [Table 14](#).

**4.1.1 Logical Interface**

All SPI frames are based on a 16-bit word. A parity bit in each SPI frame allows the detection of transmission errors and increases the reliability of the measured data. The transmission of the data is triggered by the  $\overline{CS}$ -pin.

**4.1.1.1 Protocol Description**

The internal data register is continuously updated with the internal update rate  $f_{UPDATE}$ . When  $\overline{CS}$  is pulled to low, the actual value from the data register is written into the SPI output register. Like in standard SPI protocol, the sensor starts to transmit the data when clock pulses are applied to the SCLK pin and the  $\overline{CS}$ -pin is still low. With the next 16 clock pulses, the data word is sent out via the DOUT pin. If more than 16 clock pulses are sent by the SPI-Master and the  $\overline{CS}$ -pin stays low, the sensor sends 0's for all additional clock pulses. If a new sample should be read from the sensor, the  $\overline{CS}$ -pin has to return to the high state for at least the time  $t_{CSON}$  before pulling it to low again in order to trigger the next sample readout.

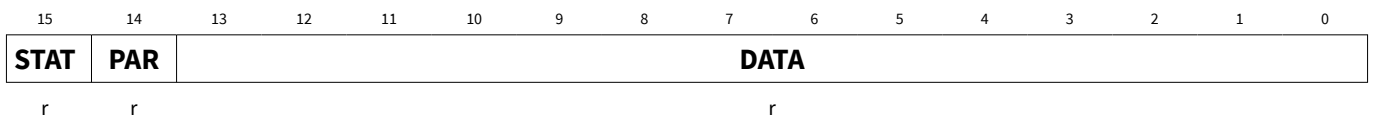
The clock pulses are ignored and the DOUT pin is in high ohmic state, when the  $\overline{CS}$ -pin is in "high" state. Therefore multiple chips can be readout on the same data bus by sequentially selecting the addressed sensor via the  $\overline{CS}$ -pin.

**4.1.1.2 Description of the SPI Data Frames**

There are two different types of SPI frames sent from the sensor. The "Sensor Status Message" and the "Sensor Value Message". The two types are distinguished by the STATUS Bit. The DATA section contains different information. For details see below.

**4.1.1.2.1 General structure of the 16-bit SPI data frame**

<b>VALUE</b>	Address:	00 <sub>H</sub>
Value of the actual current measurement	Reset value:	4000 <sub>H</sub>



Field	Bits	Type	Description
STAT	15	r	<b>Status</b> Status identifier.
PAR	14	r	<b>Parity Bit</b> Odd parity of current value.
DATA	13:0	r	<b>Data</b>

## 4 Interfaces

(continued)

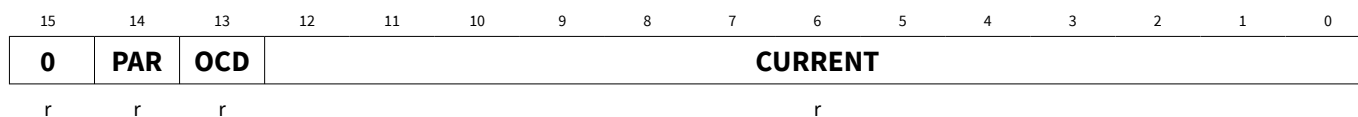
Field	Bits	Type	Description
			Data field.

### 4.1.1.3 Sensor Current Message

The actual measurement current value is returned in the Sensor Value Message.

#### 4.1.1.3.1 Structure of the Sensor Value Message

<b>VALUE</b>	Address:	01 <sub>H</sub>
Value of the actual current measurement	Reset value:	4000 <sub>H</sub>



Field	Bits	Type	Description
0	15	r	<b>Status</b> Status identifier of a Sensor Value Word
PAR	14	r	<b>Parity Bit</b> Odd parity of current value. This bit is set in a way that the sum of all bits in the Value Word is odd.
OCD	13	r	<b>OCD-state</b> Over current comparator value 0 <sub>B</sub> No over current 1 <sub>B</sub> Over current detected
CURRENT	12:0	r	<b>Current value</b> Actual measured current value.

### 4.1.1.4 Sensor Status Message

The Sensor Status Word contains information about temperature and load conditions and is sent under the following conditions:

- Once after start-up (“Sensor restarted”)
- During the sensor start-up phase when a command is sent (“Sensor busy”)
- If an internal error occurred (“Sensor fail”)

#### 4.1.1.4.1 Structure of the Sensor Status Message

<b>STATUS</b>	Address:	02 <sub>H</sub>
Sensor status message	Reset value:	8000 <sub>H</sub>

## 4 Interfaces

15	14	13	12	11	10	9	8	7	6	5	4	3	2	1	0
<b>1</b>	<b>PAR</b>	<b>HW</b>	<b>OL</b>	<b>OT</b>	<b>COM</b>	<b>RESERVED</b>									
r	r	r	r	r	r	r									

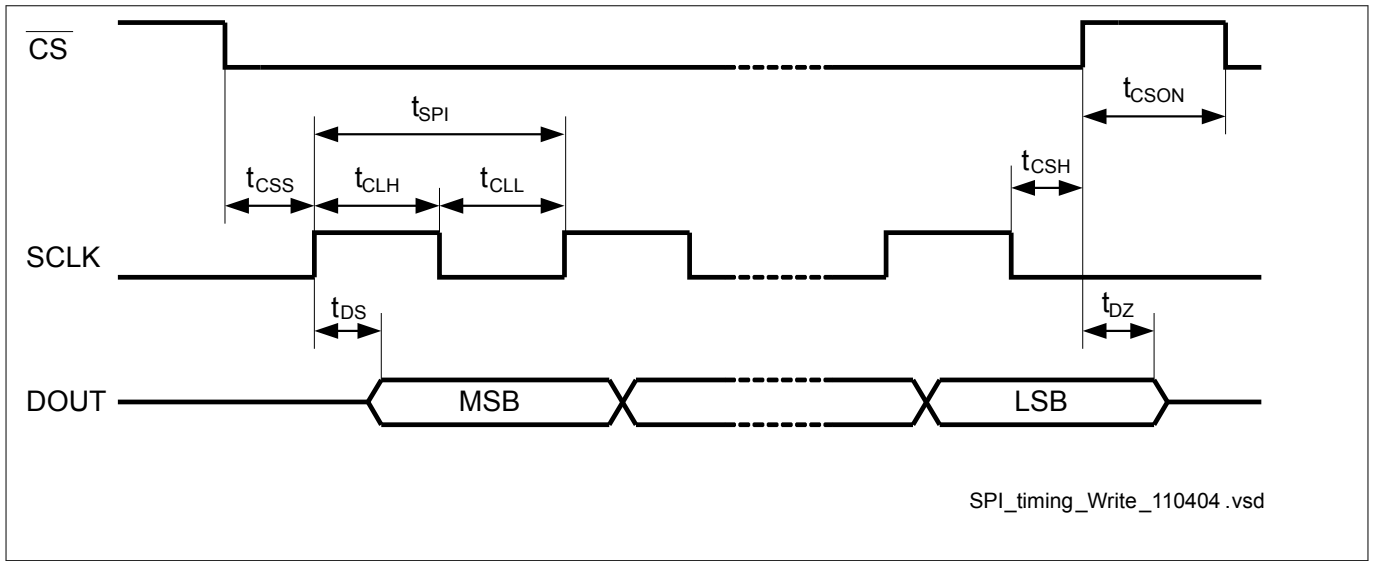
Field	Bits	Type	Description
1	15	r	<b>Status</b> Status identifier of a Sensor Status Word
PAR	14	r	<b>Parity Bit</b> Odd parity of current value. This bit is set in a way that the sum of all bits in the Status Word is odd.
HW	13	r	<b>Hardware error</b> 0 <sub>B</sub> OK 1 <sub>B</sub> Internal error; sensor not usable
OL	12	r	<b>Overload error</b> 0 <sub>B</sub> OK 1 <sub>B</sub> Overload (Current outside I <sub>PFSR</sub> range)
OT	11	r	<b>Temperature error</b> 0 <sub>B</sub> OK 1 <sub>B</sub> Temperature out of range
COM	10	r	<b>Communication error</b> 0 <sub>B</sub> OK 1 <sub>B</sub> No multiple of 16 SCLK cycles detected in last frame
RESERVED	9:0	r	<b>Reserved</b> Don't care - Reserved for future use

### 4.1.2 Physical SPI Interface

The TLI4970-D050T5 has a 3-pin unidirectional SPI interface. This interface can be driven with a clock up to 5 MHz. The timing parameters are given in [Table 14](#). Electrical characteristics are given in [Table 15](#).



**4 Interfaces**



**Figure 11** SPI interface timing: Readout of sensor data

**Table 14** Interface Timing Parameters (5 MHz SPI clock speed)

General conditions (unless otherwise specified):  $V_{DD} = 3.3\text{ V}$ ;  $T_A = -40\text{ }^\circ\text{C} \dots +85\text{ }^\circ\text{C}$

Parameter	Symbol	Values			Unit	Note or Test Condition
		Min.	Typ.	Max.		
SPI speed (1 / bit time)	$f_{SPI}$	-	-	5	MHz	Duty cycle ratio 45% ... 55%
SPI period	$t_{SPL}$	200	-	-	ns	
SCLK duty cycle	$t_{CLH} / t_{CLL}$	45	-	55	%	
$\overline{CS}$ setup time	$t_{CSS}$	95	-	-	ns	$R_L \geq 100\text{ k}\Omega$ $C_L \leq 50\text{ pF}$ to GND
$\overline{CS}$ hold time	$t_{CSH}$	95	-	-	ns	$R_L \geq 100\text{ k}\Omega$ $C_L \leq 50\text{ pF}$ to GND
Data setup time	$t_{DS}$	-	-	65	ns	
Delay between $\overline{CS}$ rising edge and end of DOUT data	$t_{DZ}$	-	-	75	ns	
$\overline{CS}$ high time	$t_{CSO}$	300	-	-	ns	

*Note:* All timing parameters are valid on the sensor pin with the specified test load only. Different loading due to PCB mounting might result in different timing.

**Table 15** Interface Electrical Characteristics (5 MHz SPI clock speed)

General conditions (unless otherwise specified):  $V_{DD} = 3.3\text{ V}$ ;  $T_A = -40\text{ }^\circ\text{C} \dots +85\text{ }^\circ\text{C}$

Parameter	Symbol	Values			Unit	Note or Test Condition
		Min.	Typ.	Max.		
Output level low (SPI)	$V_{OL}$	-	-	$0.2 \times V_{DD}$	V	Resistive load; 1 mA to GND

## 4 Interfaces

**Table 15** Interface Electrical Characteristics (5 MHz SPI clock speed) (continued)

General conditions (unless otherwise specified):  $V_{DD} = 3.3\text{ V}$ ;  $T_A = -40\text{ °C} \dots +85\text{ °C}$

Parameter	Symbol	Values			Unit	Note or Test Condition
		Min.	Typ.	Max.		
Output level high (SPI)	$V_{OH}$	$0.8 \times V_{DD}$	-	-	V	Resistive load; 1 mA to GND
Input level low (SPI)	$V_{IL}$	-0.1	-	$0.3 \times V_{DD}$	V	
Input level high (SPI)	$V_{IH}$	$0.7 \times V_{DD}$	-	$V_{DD}$	V	
Input level hysteresis (SPI)		$0.05 \times V_{DD}$	-	-	V	
Input capacitance	$C_I$	-	-	100	pF	For all digital input pins
Input resistance	$R_I$	100	-	-	k $\Omega$	For all digital input pins
Load capacitance	$C_L$	-	-	50	pF	To GND; For all digital output pins
Load resistance	$R_L$	100	-	-	k $\Omega$	To VDD; For all digital output pins

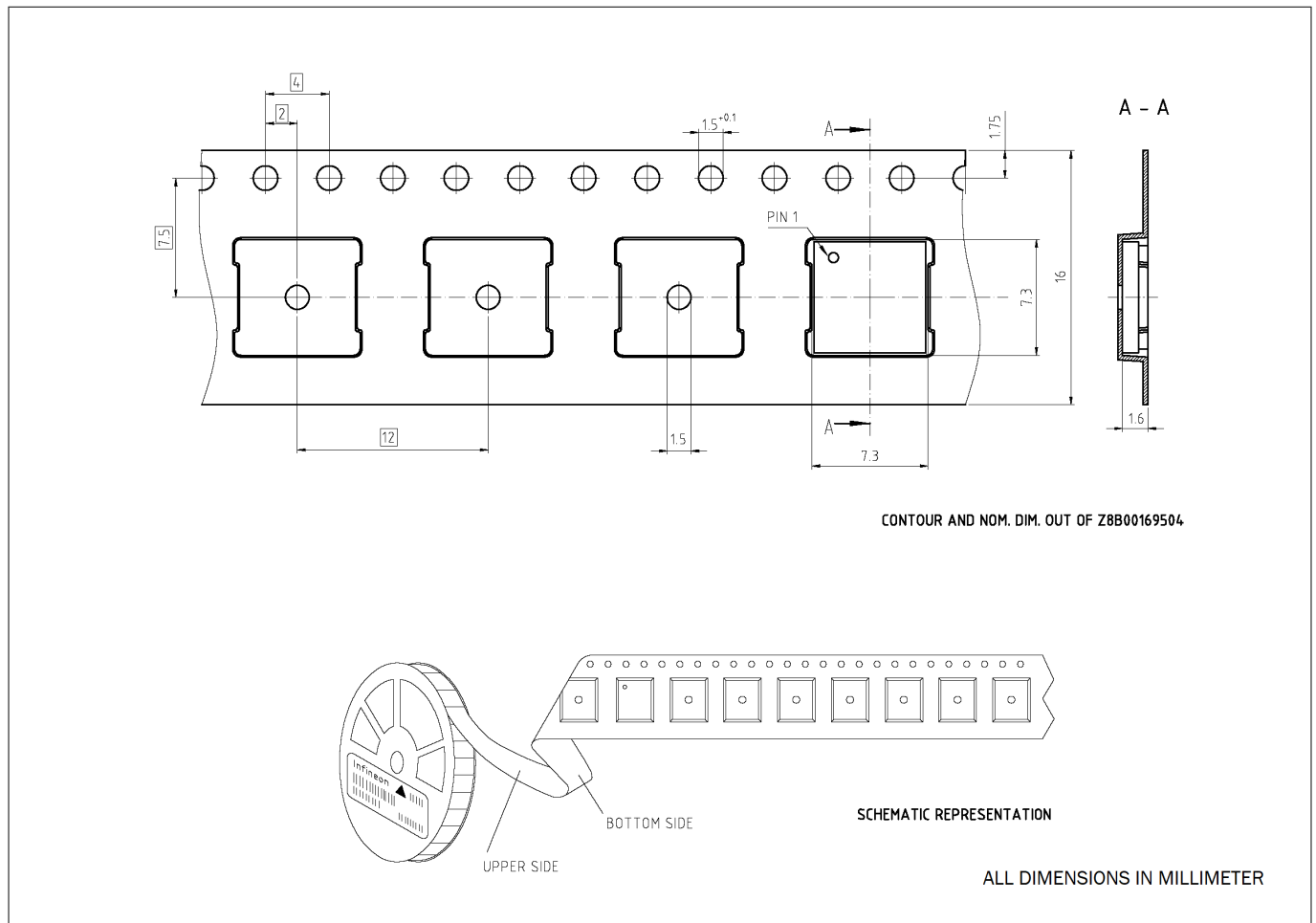
### 4.2 Serial Inspection and Configuration Interface (SICI)

The serial inspection and configuration interface is only used for EEPROM programming. This interface is a one wire interface provided by a double seizure of the OCD pin. To guarantee a proper SICI communication current must not flow through the primary conductor (to avoid interferences with potential over current detection). The instruction for the serial inspection and configuration interface can be found in the TLI4970 programming guide.



**5 Package**

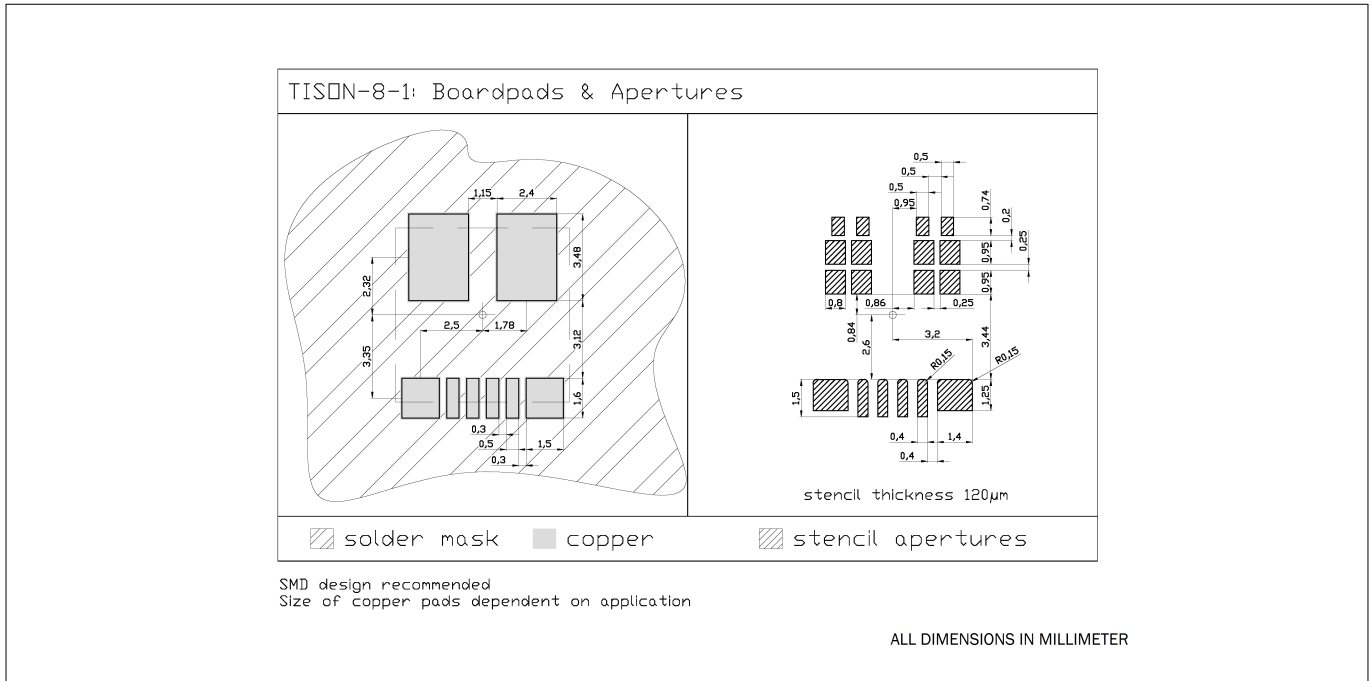
**5.2 Packing**



**Figure 13 Carrier tape of the PG-TISON-8-1 package**

**5 Package**

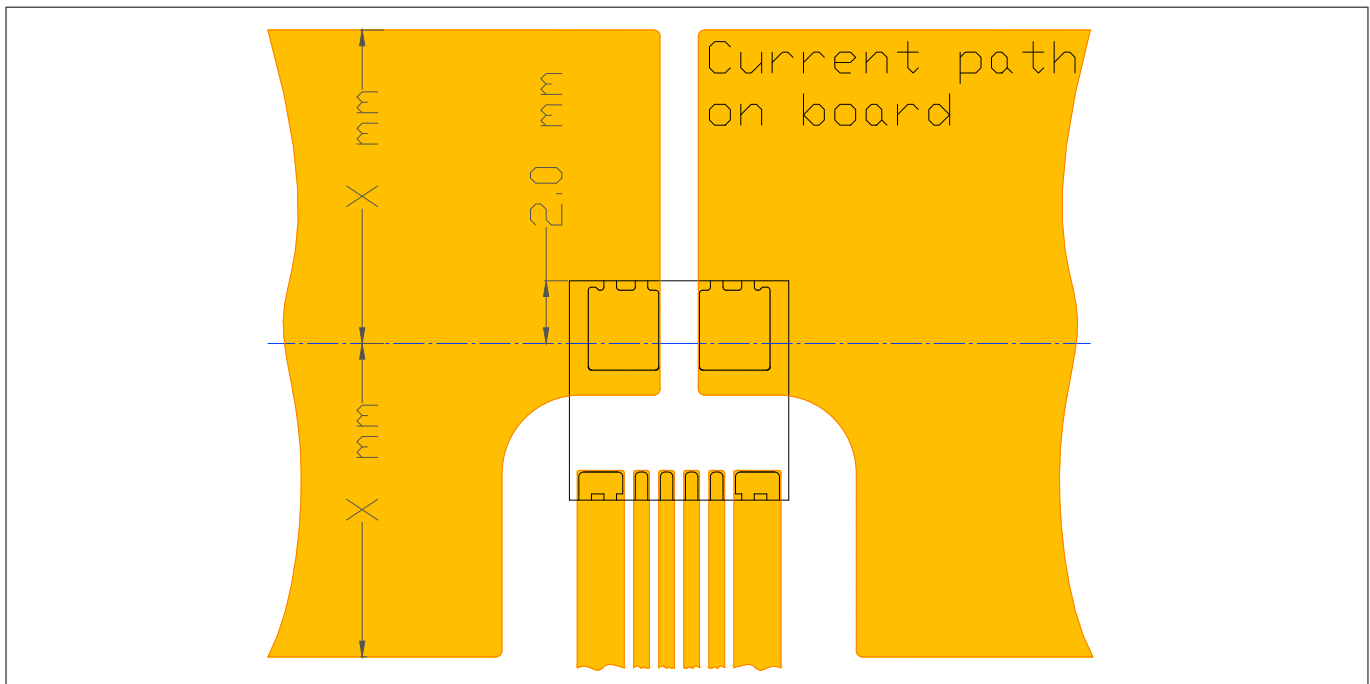
**5.3 Footprint Recommendation**



**Figure 14 Footprint recommendation for reflow soldering**

**5.4 PCB Layout Recommendation**

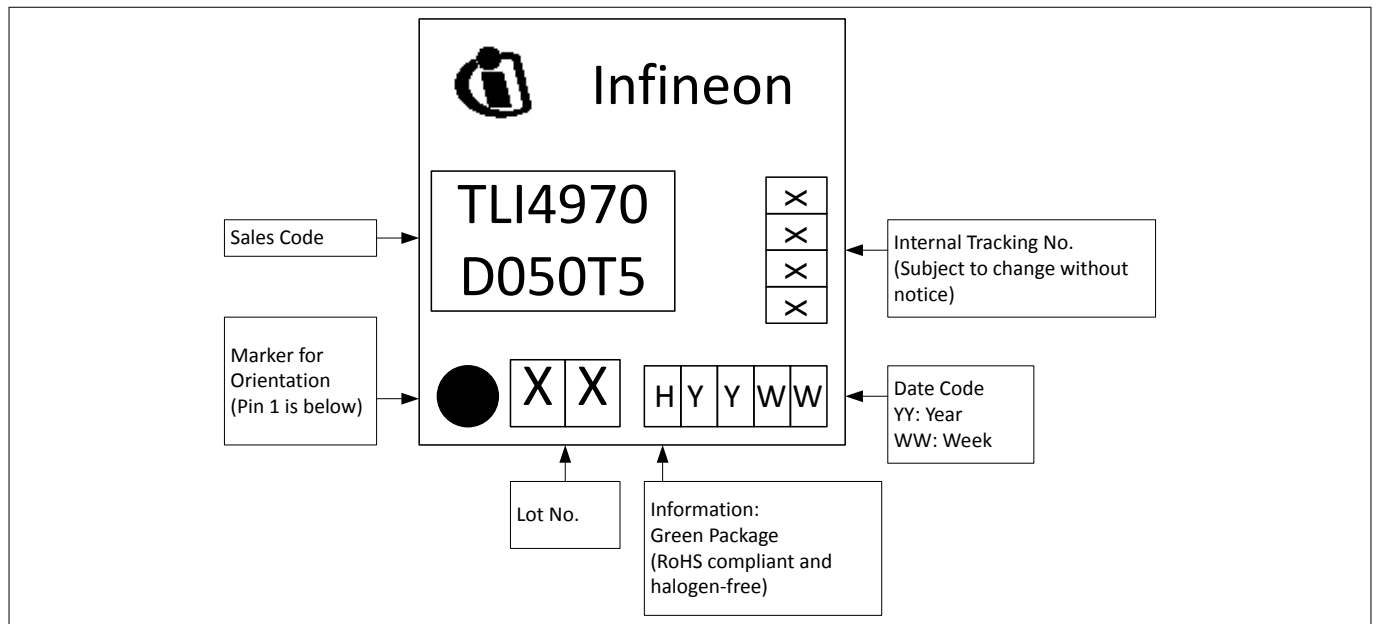
The PCB layout recommendation shown in [Chapter 5.4](#) leads to the preferred current flow through the housing to achieve the highest accuracy.



**Figure 15 PCB layout recommendation**

**5 Package**

**5.5 Laser Marking**



**Figure 16 Laser marking on the top side**

---

6 Revision History

## 6 Revision History

---

### Revision History

Page or Item	Subjects (major changes since previous revision)
<b>Rev. 1.2, 2019-03-21</b>	
<a href="#">19</a>	<a href="#">Table 9, Isolation Parameters according to IEC 60747-5-2</a> updated
<b>Rev. 1.1, 2016-06-17</b>	
<a href="#">20</a>	<a href="#">Chapter 3.6</a> on page 20 added
<a href="#">11</a>	Added note on default bandwidth.
<a href="#">17</a>	<a href="#">Table 7</a> updated: Added row for De-glitch filter time. Added note on default OCD level.

## Trademarks

All referenced product or service names and trademarks are the property of their respective owners.

**Edition 2019-03-19**

**Published by  
Infineon Technologies AG  
81726 Munich, Germany**

**© 2019 Infineon Technologies AG  
All Rights Reserved.**

**Do you have a question about any  
aspect of this document?  
Email: [erratum@infineon.com](mailto:erratum@infineon.com)**

**Document reference  
IFX-jsf1558695499786**

## IMPORTANT NOTICE

The information given in this document shall in no event be regarded as a guarantee of conditions or characteristics ("Beschaffheitsgarantie").

With respect to any examples, hints or any typical values stated herein and/or any information regarding the application of the product, Infineon Technologies hereby disclaims any and all warranties and liabilities of any kind, including without limitation warranties of non-infringement of intellectual property rights of any third party.

In addition, any information given in this document is subject to customer's compliance with its obligations stated in this document and any applicable legal requirements, norms and standards concerning customer's products and any use of the product of Infineon Technologies in customer's applications.

The data contained in this document is exclusively intended for technically trained staff. It is the responsibility of customer's technical departments to evaluate the suitability of the product for the intended application and the completeness of the product information given in this document with respect to such application.

## WARNINGS

Due to technical requirements products may contain dangerous substances. For information on the types in question please contact your nearest Infineon Technologies office.

Except as otherwise explicitly approved by Infineon Technologies in a written document signed by authorized representatives of Infineon Technologies, Infineon Technologies' products may not be used in any applications where a failure of the product or any consequences of the use thereof can reasonably be expected to result in personal injury