

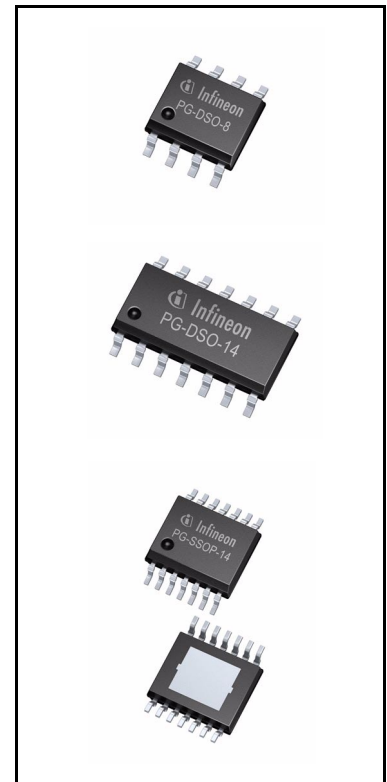
# OPTIREG™ Linear TLE42694

## 5V low drop fixed voltage regulator



### Features

- Output Voltage 5 V  $\pm$ 2%
- Output Current up to 150 mA
- Very Low Current Consumption
- Early Warning
- Power-on and Undervoltage Reset with Programmable Delay Time
- Reset Low Down to  $V_Q = 1$  V
- Adjustable Reset Threshold
- Very Low Dropout Voltage
- Output Current Limitation
- Reverse Polarity Protection
- Overtemperature Protection
- Suitable for Use in Automotive Electronics
- Wide Temperature Range from  $-40^\circ\text{C}$  up to  $150^\circ\text{C}$
- Input Voltage Range from  $-42$  V to 45 V
- Integrated Pull-Up Resistors at Logic Outputs
- Green Product (RoHS compliant)



### Applications

General automotive applications.

Qualified for automotive applications. Product validation according to AEC-Q100/101.

### Description

The OPTIREG™ Linear TLE42694 is a monolithic integrated low dropout voltage regulator, especially designed for automotive applications. An input voltage up to 45 V is regulated to an output voltage of 5.0 V. The component is able to drive loads up to 150 mA. It is short-circuit proof by the implemented output current limitation and has an integrated overtemperature shutdown. A reset signal is generated for an output voltage  $V_{Q,rt}$  of typically 4.65 V. This threshold can be decreased by an external resistor divider. The power-on reset delay time can be programmed by the external delay capacitor. The additional sense comparator provides an early warning function: Any voltage (e.g. the input voltage) can be monitored, an undervoltage condition is indicated by setting the comparator's output to low. The reset and sense output are internally connected to

the output Q via a pull-up resistor. If these integrated resistors are not desired, the TLE42794 can be used instead of the TLE42694.

### **Dimensioning information on external components**

The input capacitor  $C_1$  is recommended for compensation of line influences. The output capacitor  $C_Q$  is necessary for the stability of the control loop.

### **Circuit description**

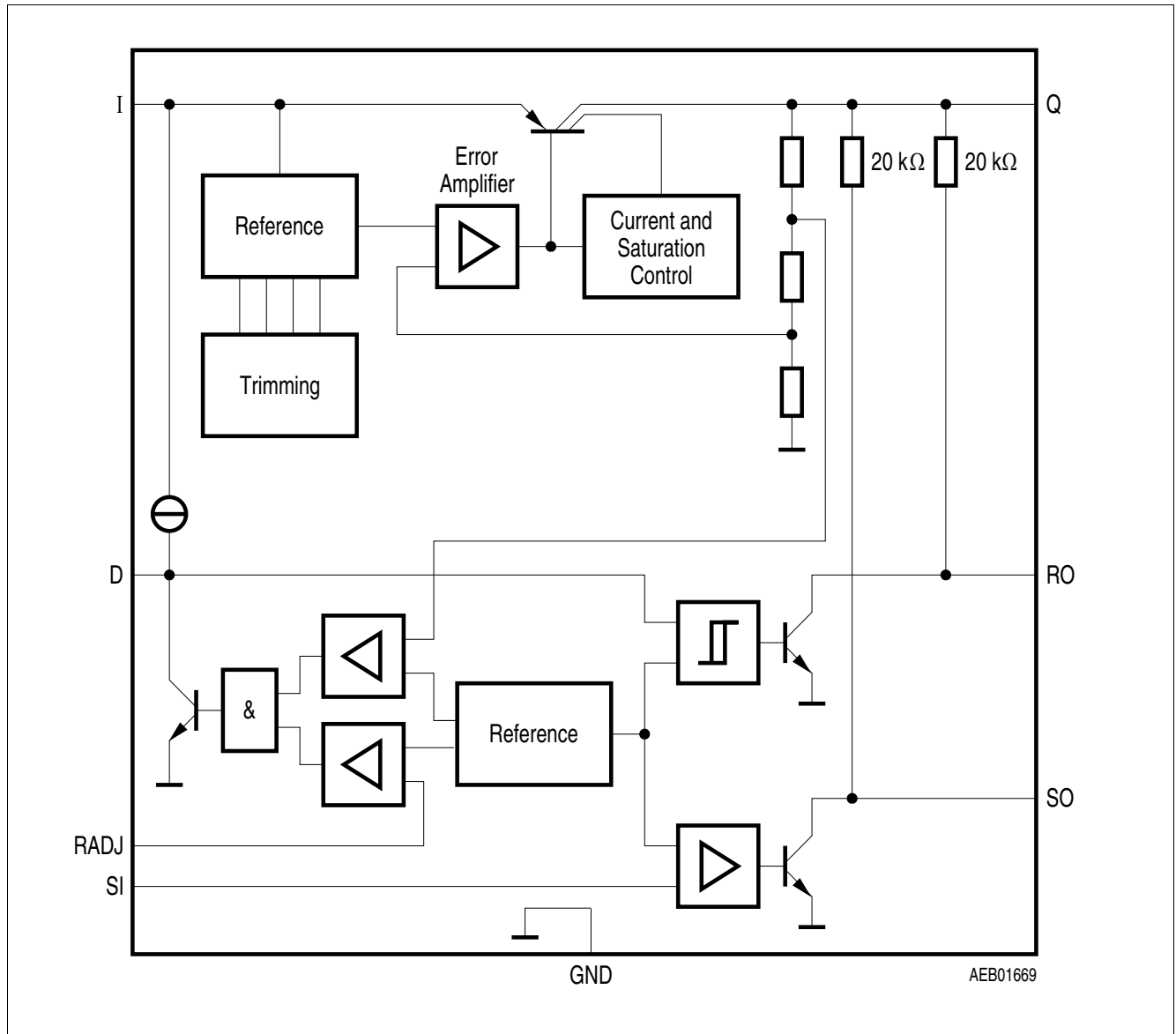
The control amplifier compares a reference voltage to a voltage that is proportional to the output voltage and drives the base of the series transistor via a buffer. Saturation control as a function of the load current prevents any oversaturation of the power element. The TLE42694 also has a number of internal circuits for protection against:

- Overload
- Overtemperature
- Reverse polarity

<b>Type</b>	<b>Package</b>	<b>Marking</b>
TLE42694G	PG-DSO-8	42694G
TLE42694GM	PG-DSO-14	42694GM
TLE42694E	PG-SSOP-14 exposed pad	42694E

**Block diagram**

**1 Block diagram**

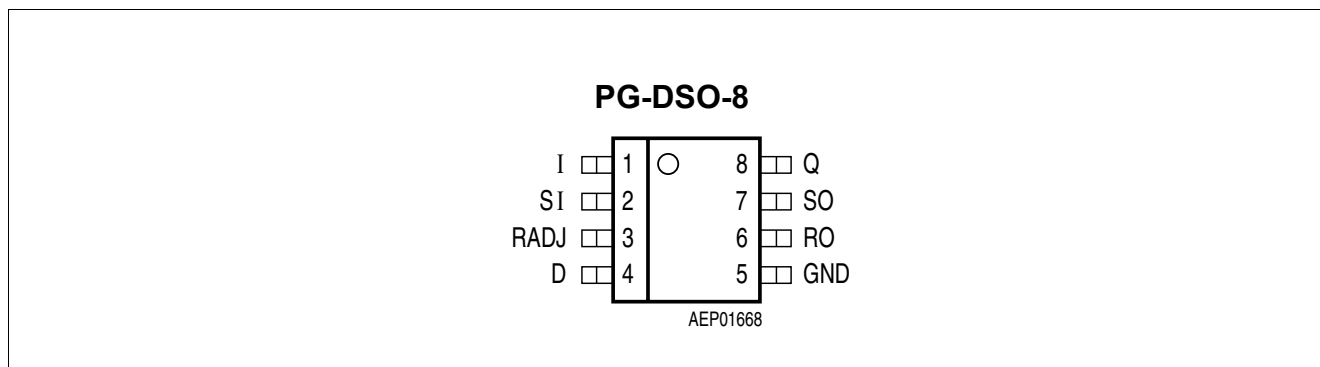


**Figure 1 Block diagram**

**Pin configuration**

## 2 Pin configuration

### 2.1 Pin assignment PG-DSO-8



**Figure 1 Pin configuration (top view)**

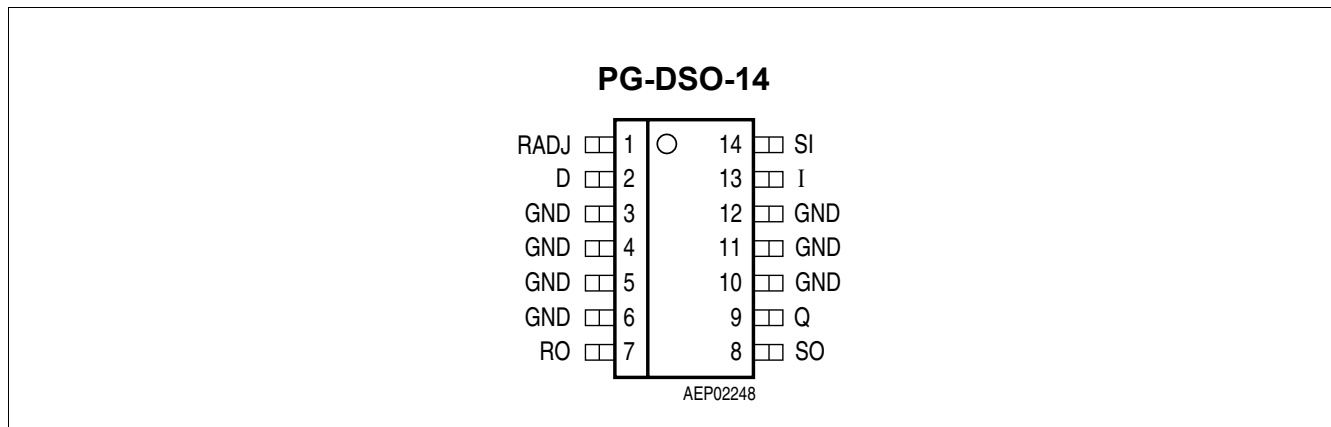
### 2.2 Pin definitions and functions PG-DSO-8

**Table 1 Pin definitions and functions PG-DSO-8**

Pin	Symbol	Function
1	I	<b>Input</b> for compensating line influences, a capacitor to GND close to the IC terminals is recommended
2	SI	<b>Sense input</b> connect the voltage to be monitored; connect to Q if the sense comparator is not needed
3	RADJ	<b>Reset threshold adjust</b> connect an external voltage divider to adjust reset threshold; connect to GND for using internal threshold
4	D	<b>Reset delay timing</b> connect a ceramic capacitor to GND for adjusting the reset delay time; leave open if the reset function is not needed
5	GND	<b>Ground</b>
6	RO	<b>Reset output</b> the open collector output is connected to the 5 V output via an integrated 20 kΩ pull-up resistor; leave open if the reset function is not needed
7	SO	<b>Sense output</b> the open collector output is connected to the 5 V output via an integrated 20 kΩ pull-up resistor; leave open if the sense comparator is not needed
8	Q	<b>Output</b> connect a capacitor to GND close to the IC terminals, respecting the values given for its capacitance $C_Q$ and ESR in <b>“Functional range” on Page 9</b>

**Pin configuration**

**2.3 Pin assignment PG-DSO-14**



**Figure 2 Pin configuration (top view)**

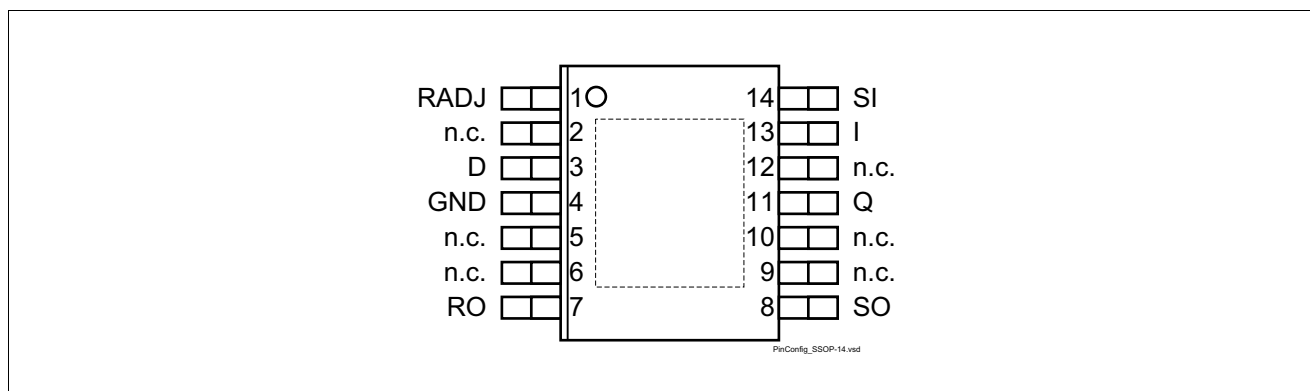
**2.4 Pin definitions and functions PG-DSO-14**

**Table 2 Pin definitions and functions PG-DSO-14**

Pin	Symbol	Function
1	RADI	<b>Reset threshold adjust</b> connect an external voltage divider to adjust reset threshold; connect to GND for using internal threshold
2	D	<b>Reset delay timing</b> connect a ceramic capacitor to GND for adjusting the reset delay time; leave open if the reset function is not needed
3, 4, 5, 6, 10, 11, 12	GND	<b>Ground</b> Connect all pins to GND and to the heatsink area for improved cooling
7	RO	<b>Reset output</b> the open collector output is connected to the 5 V output via an integrated 20 kΩ pull-up resistor; leave open if the reset function is not needed
8	SO	<b>Sense Output</b> the open collector output is connected to the 5 V output via an integrated 20 kΩ pull-up resistor; leave open if the sense comparator is not needed
9	Q	<b>Output</b> block to GND with a capacitor close to the IC terminals, respecting the values given for its capacitance $C_Q$ and ESR in the table <b>“Functional range” on Page 9</b>
13	I	<b>Input</b> for compensating line influences, a capacitor to GND close to the IC terminals is recommended
14	SI	<b>Sense input</b> connect the voltage to be monitored; connect to Q if the sense comparator is not needed

**Pin configuration**

**2.5 Pin assignment PG-SSOP-14 exposed pad**



**Figure 3 Pin configuration (top view)**

**2.6 Pin definitions and functions PG-SSOP-14 exposed pad**

**Table 3 Pin definitions and functions PG-SSOP-14 exposed pad**

Pin	Symbol	Function
1	RADJ	<b>Reset threshold adjust</b> connect an external voltage divider to adjust reset threshold; connect to GND for using internal threshold
2, 5, 6	n.c.	<b>Not connected</b>
3	D	<b>Reset delay timing</b> connect a ceramic capacitor to GND for adjusting the reset delay time; leave open if the reset function is not needed
4	GND	<b>Ground</b> Connect to GND
7	RO	<b>Reset output</b> the open collector output is connected to the 5 V output via an integrated 20 kΩ pull-up resistor; leave open if the reset function is not needed
8	SO	<b>Sense output</b> the open collector output is connected to the 5 V output via an integrated 20 kΩ pull-up resistor; leave open if the sense comparator is not needed
9, 10, 12	n.c.	<b>Not connected</b>
11	Q	<b>Output</b> block to GND with a capacitor close to the IC terminals, respecting the values given for its capacitance $C_Q$ and ESR in the table <b>“Functional range” on Page 9</b>
13	I	<b>Input</b> for compensating line influences, a capacitor to GND close to the IC terminals is recommended

**Pin configuration**

**Table 3 Pin definitions and functions PG-SSOP-14 exposed pad (cont'd)**

<b>Pin</b>	<b>Symbol</b>	<b>Function</b>
14	SI	<b>Sense input</b> connect the voltage to be monitored; connect to Q if the sense comparator is not needed
Pad	-	<b>Exposed pad</b> connect to heatsink area; connect to GND

General product characteristics

### 3 General product characteristics

#### 3.1 Absolute maximum ratings

**Table 4 Absolute maximum ratings<sup>1)</sup>**

-40 °C ≤ T<sub>j</sub> ≤ 150 °C; all voltages with respect to ground, positive current flowing into pin (unless otherwise specified)

Parameter	Symbol	Values			Unit	Note or Test Condition	Number
		Min.	Typ.	Max.			
<b>Input, sense input</b>							
Voltage	V <sub>I</sub> , V <sub>SI</sub>	-40	–	45	V	–	P_4.1.1
<b>Output, reset output, sense output, reset delay</b>							
Voltage	V <sub>Q</sub> , V <sub>RO</sub> , V <sub>SO</sub> , V <sub>D</sub>	-0.3	–	7	V	–	P_4.1.2
<b>Reset threshold</b>							
Voltage	V <sub>RADJ</sub>	-0.3	–	7	V	–	P_4.1.3
Current	I <sub>RADJ</sub>	-10	–	10	mA	–	P_4.1.4
<b>Temperature</b>							
Junction Temperature	T <sub>j</sub>	-40	–	150	°C	–	P_4.1.5
Storage Temperature	T <sub>stg</sub>	-50	–	150	°C	–	P_4.1.6
<b>ESD susceptibility</b>							
Human Body Model (HBM) <sup>2)</sup>	Voltage	-2	–	2	kV	–	P_4.1.7
Charged Device Model (CDM) <sup>3)</sup>	Voltage	-1	–	1	kV	–	P_4.1.8

1) not subject to production test, specified by design

2) ESD HBM Test according to AEC-Q100-002 - JESD22-A114

3) ESD CDM Test according to ESDA ESD-STM5.3.1

*Note: Maximum ratings are absolute ratings; exceeding any one of these values may cause irreversible damage to the integrated circuit. Integrated protection functions are designed to prevent IC destruction under fault conditions. Fault conditions are considered as outside normal operating range. Protections functions are not designed for continuous repetitive operation.*



**General product characteristics**

**3.2 Functional range**

**Table 5 Functional range**

Parameter	Symbol	Values			Unit	Note or Test Condition	Number
		Min.	Typ.	Max.			
Input Voltage	$V_I$	5.5	–	45	V	–	P_4.2.1
Output capacitor's requirements for stability	$C_Q$	10	–	–	$\mu\text{F}$	– <sup>1)</sup>	P_4.2.2
Output capacitor's requirements for stability	$ESR(C_Q)$	–	–	3	$\Omega$	– <sup>2)</sup>	P_4.2.3
Junction temperature	$T_j$	-40	–	150	$^{\circ}\text{C}$	–	P_4.2.4

1) The minimum output capacitance requirement is applicable for a worst case capacitance tolerance of 30%

2) Relevant ESR value at  $f = 10$  kHz

*Note: Within the functional range the IC operates as described in the circuit description. The electrical characteristics are specified within the conditions given in the related electrical characteristics table.*

**General product characteristics**

**3.3 Thermal resistance**

**Table 6 Thermal resistance**

Parameter	Symbol	Values			Unit	Note or Test Condition	Number
		Min.	Typ.	Max.			
<b>TLE42694G (PG-DSO-8)</b>							
Junction to soldering point <sup>1)</sup>	$R_{thJSP}$	–	80	–	K/W	measured to pin 5	P_4.3.1
Junction to ambient <sup>1)</sup>	$R_{thJA}$	–	113	–	K/W	FR4 2s2p board <sup>2)</sup>	P_4.3.2
Junction to ambient <sup>1)</sup>	$R_{thJA}$	–	170	–	K/W	FR4 1s0p board, footprint only <sup>3)</sup>	P_4.3.3
Junction to ambient <sup>1)</sup>	$R_{thJA}$	–	142	–	K/W	FR4 1s0p board, 300 mm <sup>2</sup> heatsink area on PCB <sup>3)</sup>	P_4.3.4
Junction to ambient <sup>1)</sup>	$R_{thJA}$	–	136	–	K/W	FR4 1s0p board, 600 mm <sup>2</sup> heatsink area on PCB <sup>3)</sup>	P_4.3.5
<b>TLE42694GM (PG-DSO-14)</b>							
Junction to soldering point <sup>1)</sup>	$R_{thJSP}$	–	27	–	K/W	measured to group of pins 3, 4, 5, 10, 11, 12	P_4.3.6
Junction to ambient <sup>1)</sup>	$R_{thJA}$	–	63	–	K/W	FR4 2s2p board <sup>2)</sup>	P_4.3.7
Junction to ambient <sup>1)</sup>	$R_{thJA}$	–	104	–	K/W	FR4 1s0p board, footprint only <sup>3)</sup>	P_4.3.8
Junction to ambient <sup>1)</sup>	$R_{thJA}$	–	73	–	K/W	FR4 1s0p board, 300 mm <sup>2</sup> heatsink area on PCB <sup>3)</sup>	P_4.3.9
Junction to ambient <sup>1)</sup>	$R_{thJA}$	–	65	–	K/W	FR4 1s0p board, 600 mm <sup>2</sup> heatsink area on PCB <sup>3)</sup>	P_4.3.10
<b>TLE42694E (PG-SSOP-14 exposed pad)</b>							
Junction to soldering point <sup>1)</sup>	$R_{thJSP}$	–	10	–	K/W	measured to pin 5	P_4.3.11
Junction to ambient <sup>1)</sup>	$R_{thJA}$	–	47	–		FR4 2s2p board <sup>2)</sup>	P_4.3.12
Junction to ambient <sup>1)</sup>	$R_{thJA}$	–	145	–	K/W	FR4 1s0p board, Footprint only <sup>3)</sup>	P_4.3.13
Junction to ambient <sup>1)</sup>	$R_{thJA}$	–	63	–	K/W	FR4 1s0p board, 300 mm <sup>2</sup> heatsink area on PCB <sup>3)</sup>	P_4.3.14
Junction to ambient <sup>1)</sup>	$R_{thJA}$	–	53	–	K/W	FR4 1s0p board, 600 mm <sup>2</sup> heatsink area on PCB <sup>3)</sup>	P_4.3.15

1) Not subject to production test, specified by design

2) Specified  $R_{thJA}$  value is according to Jedec JESD51-2,-5,-7 at natural convection on FR4 2s2p board; The product (Chip+Package) was simulated on a 76.2 x 114.3 x 1.5 mm<sup>3</sup> board with 2 inner copper layers (2 x 70µm Cu, 2 x 35µm Cu). Where applicable a thermal via array under the exposed pad contacted the first inner copper layer.

3) Specified  $R_{thJA}$  value is according to JEDEC JESD 51-3 at natural convection on FR4 1s0p board; The product (Chip+Package) was simulated on a 76.2 x 114.3 x 1.5 mm<sup>3</sup> board with 1 copper layer (1 x 70µm Cu).

## 4 Block description and electrical characteristics

### 4.1 Voltage regulator

The output voltage  $V_Q$  is controlled by comparing a portion of it to an internal reference and driving a PNP pass transistor accordingly. The control loop stability depends on the output capacitor  $C_Q$ , the load current, the chip temperature and the poles/zeros introduced by the integrated circuit. To ensure stable operation, the output capacitor's capacitance and its equivalent series resistor ESR requirements given in the table **“Functional range” on Page 9** have to be maintained. For details see also the typical performance graph **“Output capacitor series resistor ESR( $C_Q$ ) versus output current  $I_Q$ ” on Page 14**. As the output capacitor also has to buffer load steps it should be sized according to the application's needs.

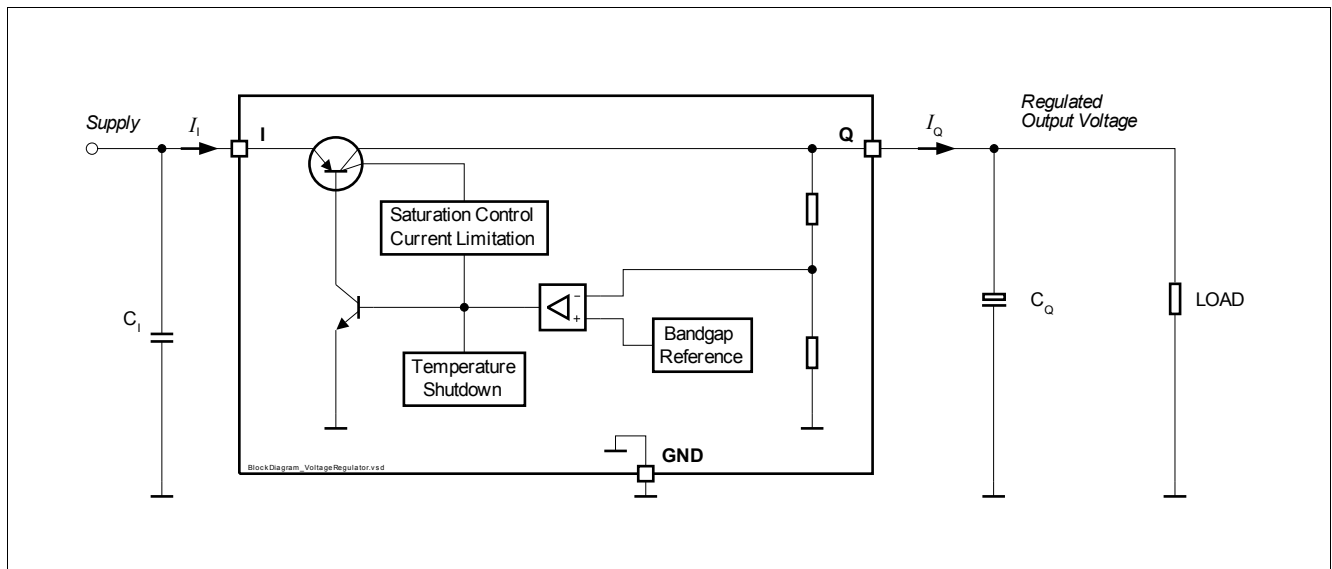
An input capacitor  $C_I$  is strongly recommended to compensate line influences. Connect the capacitors close to the component's terminals.

A protection circuitry prevents the IC as well as the application from destruction in case of catastrophic events. These safeguards contain an output current limitation, a reverse polarity protection as well as a thermal shutdown in case of overtemperature.

In order to avoid excessive power dissipation that could never be handled by the pass element and the package, the maximum output current is decreased at input voltages above  $V_I = 22$  V.

The thermal shutdown circuit prevents the IC from immediate destruction under fault conditions (e.g. output continuously short-circuited) by switching off the power stage. After the chip has cooled down, the regulator restarts. This leads to an oscillatory behavior of the output voltage until the fault is removed. However, junction temperatures above 150°C are outside the maximum ratings and therefore significantly reduce the IC's lifetime.

The TLE42694 allows a negative supply voltage. In this fault condition, small currents are flowing into the IC, increasing its junction temperature. This has to be considered for the thermal design, respecting that the thermal protection circuit is not operating during reverse polarity conditions.



**Figure 4 Voltage regulator**

**Block description and electrical characteristics**

**Table 7 Electrical characteristics voltage regulator**

$V_I = 13.5\text{ V}$ ,  $-40\text{ °C} \leq T_j \leq 150\text{ °C}$ , all voltages with respect to ground, positive current flowing into pin (unless otherwise specified)

Parameter	Symbol	Values			Unit	Note or Test Condition	Number
		Min.	Typ.	Max.			
Output voltage	$V_Q$	4.9	5.0	5.1	V	$100\text{ }\mu\text{A} < I_Q < 100\text{ mA}$ $6\text{ V} < V_I < 18\text{ V}$	P_5.1.1
Output current limitation	$I_{Q,max}$	150	200	500	mA	$V_Q = 4.8\text{ V}$	P_5.1.2
Load regulation steady-state	$\Delta V_{Q,load}$	-30	-15	-	mV	$I_Q = 5\text{ mA to } 100\text{ mA}$ $V_I = 6\text{ V}$	P_5.1.3
Line regulation steady-state	$\Delta V_{Q,line}$	-	10	40	mV	$V_I = 6\text{ V to } 32\text{ V}$ $I_Q = 5\text{ mA}$	P_5.1.4
Dropout voltage <sup>1)</sup> $V_{dr} = V_I - V_Q$	$V_{dr}$	-	250	500	mV	$I_Q = 100\text{ mA}$	P_5.1.5
Overtemperature shutdown threshold	$T_{j,sd}$	151	-	200	°C	$T_j$ increasing <sup>2)</sup>	P_5.1.6
Overtemperature shutdown threshold hysteresis	$T_{j,sdh}$	-	15	-	°C	$T_j$ decreasing <sup>2)</sup>	P_5.1.7
Power supply ripple rejection	$PSRR$	-	70	-	dB	$f_{ripple} = 100\text{ Hz}$ $V_{ripple} = 0.5\text{ }V_{pp}$	P_5.1.8

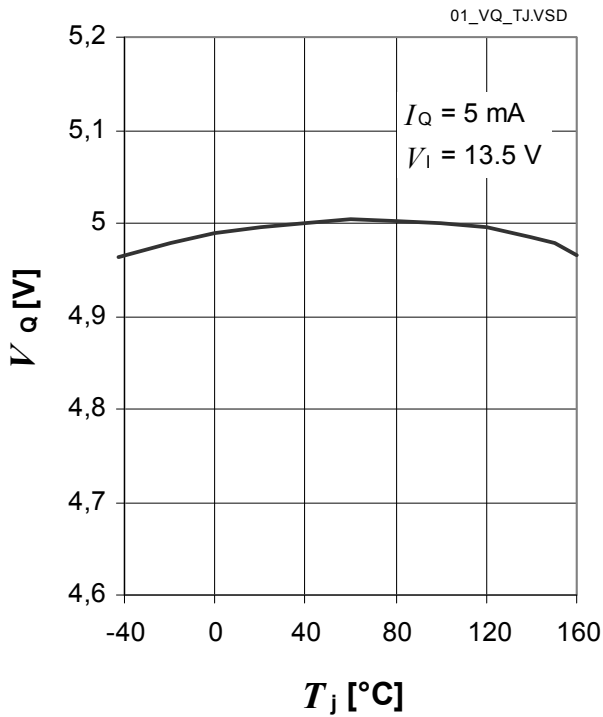
1) Measured when the output voltage  $V_Q$  has dropped 100mV from the nominal value obtained at  $V_I = 13.5\text{ V}$

2) Not subject to production test, specified by design

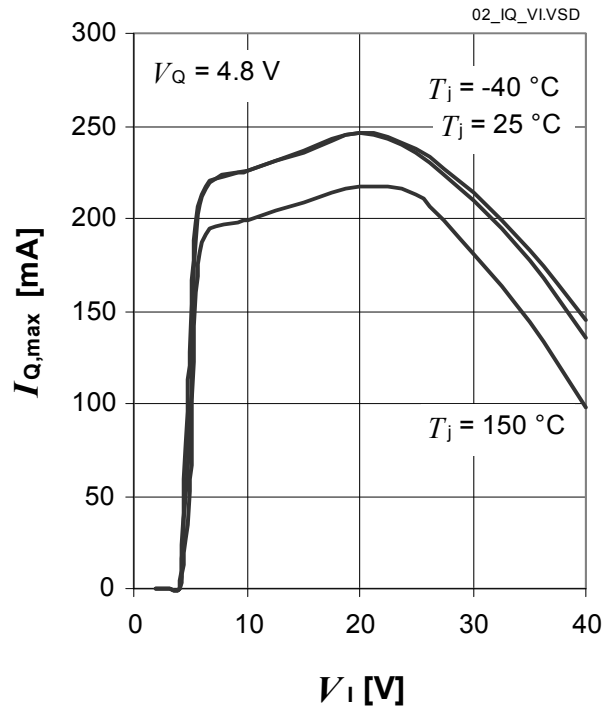
**Block description and electrical characteristics**

**Typical Performance Characteristics Voltage Regulator**

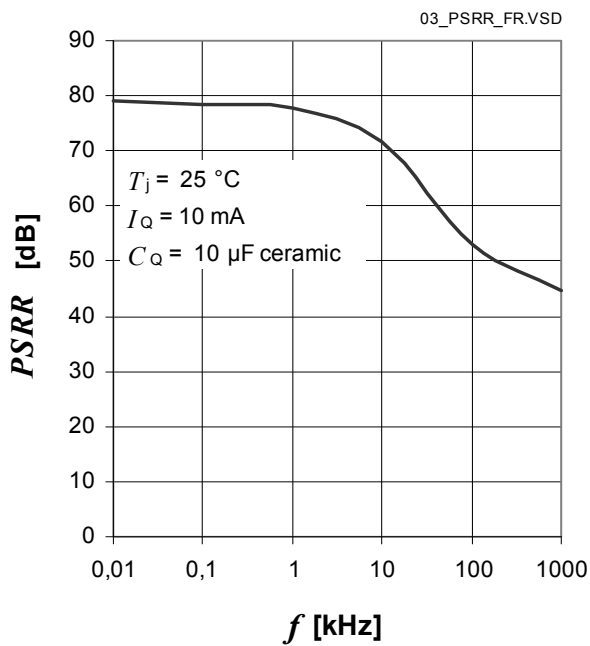
**Output voltage  $V_Q$  versus junction temperature  $T_j$**



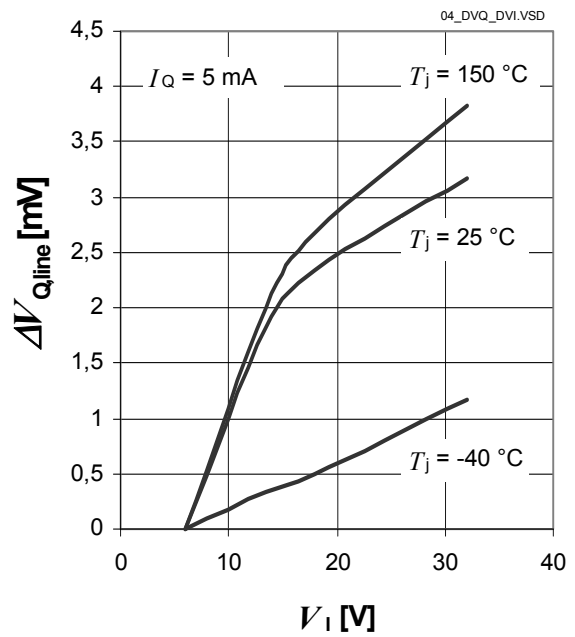
**Output current  $I_Q$  versus input voltage  $V_I$**



**Power supply ripple rejection  $PSRR$  versus ripple frequency  $f_r$**

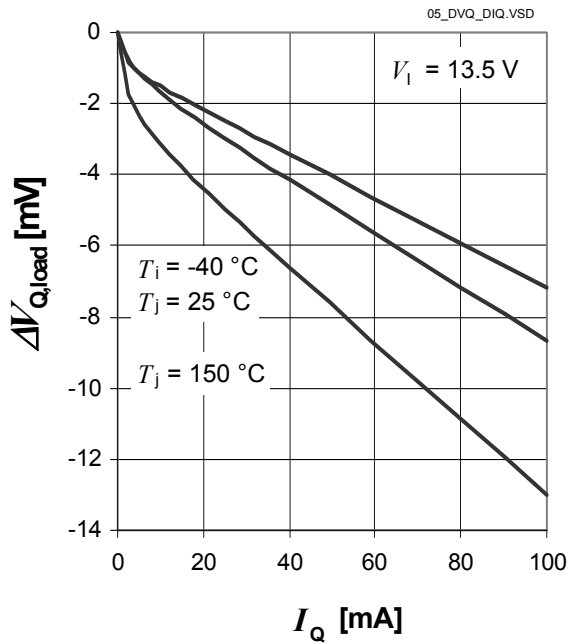


**Line regulation  $\Delta V_{Q,line}$  versus input voltage change  $\Delta V_I$**

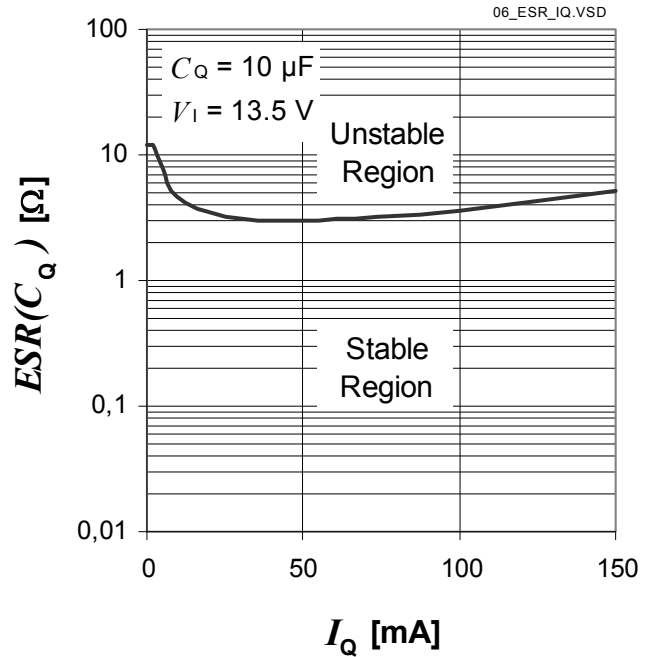


**Block description and electrical characteristics**

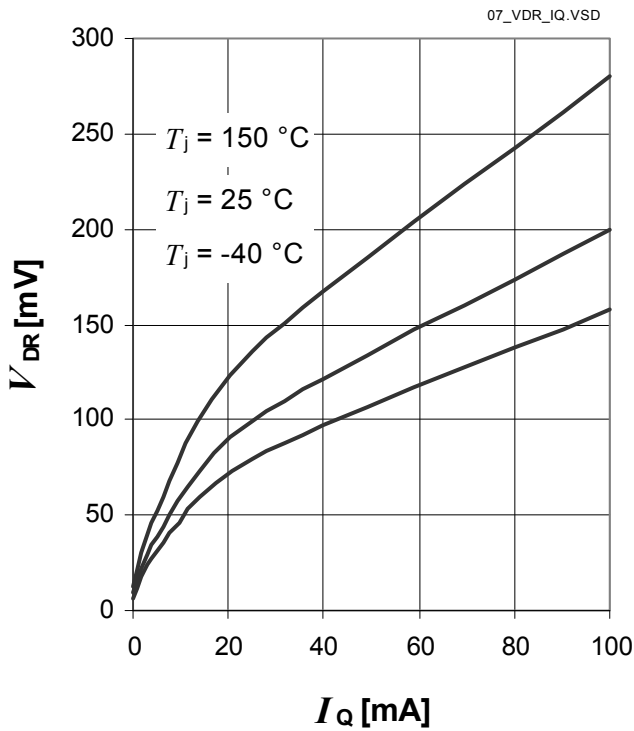
**Load regulation  $\Delta V_{Q,load}$  versus output current change  $\Delta I_Q$**



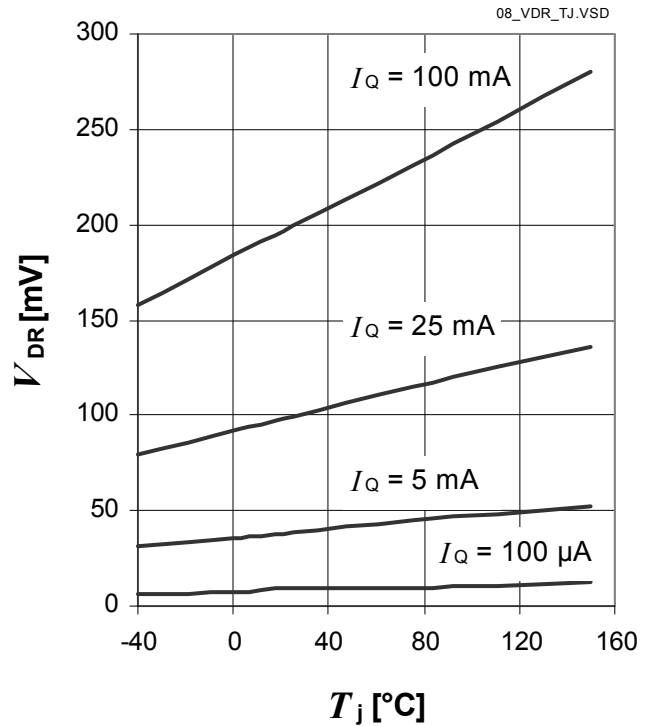
**Output capacitor series resistor  $ESR(C_Q)$  versus output current  $I_Q$**



**Dropout voltage  $V_{dr}$  versus output current  $I_Q$**



**Dropout voltage  $V_{dr}$  versus junction temperature  $T_j$**



**Block description and electrical characteristics**

**4.2 Current consumption**

**Table 8 Electrical characteristics current consumption**

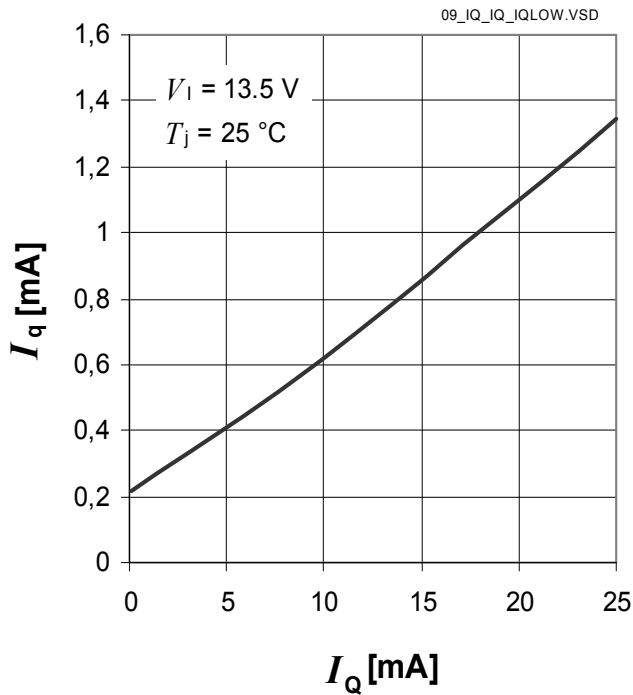
$V_I = 13.5\text{ V}$ ,  $-40\text{ °C} \leq T_j \leq 150\text{ °C}$ , positive current flowing into pin (unless otherwise specified)

Parameter	Symbol	Values			Unit	Note or Test Condition	Number
		Min.	Typ.	Max.			
Current consumption $I_q = I_I - I_Q$	$I_q$	–	210	280	$\mu\text{A}$	$I_Q = 100\ \mu\text{A}$ $T_j = 25\text{ °C}$	P_5.2.1
Current consumption $I_q = I_I - I_Q$	$I_q$	–	240	300	$\mu\text{A}$	$I_Q = 100\ \mu\text{A}$ $T_j \leq 85\text{ °C}$	P_5.2.2
Current consumption $I_q = I_I - I_Q$	$I_q$	–	0.7	1	mA	$I_Q = 10\ \text{mA}$	P_5.2.3
Current consumption $I_q = I_I - I_Q$	$I_q$	–	3.5	8	mA	$I_Q = 50\ \text{mA}$	P_5.2.4

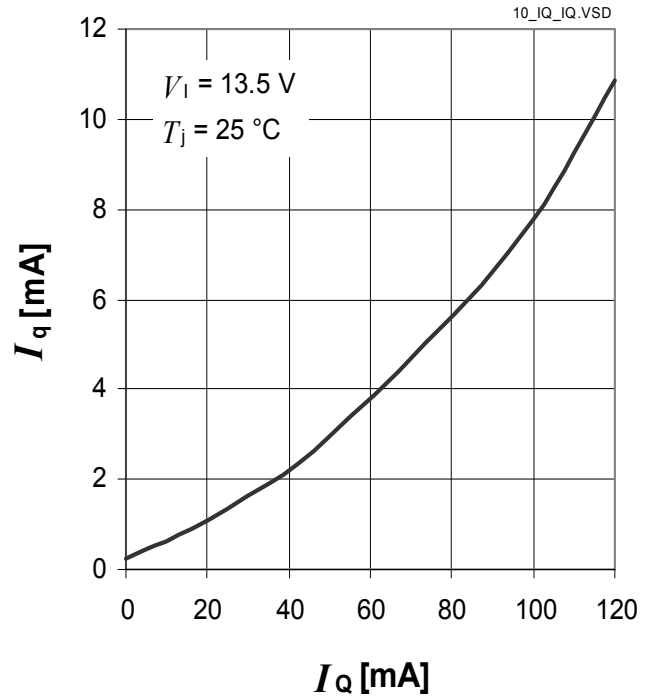
**Block description and electrical characteristics**

**Typical performance characteristics current consumption**

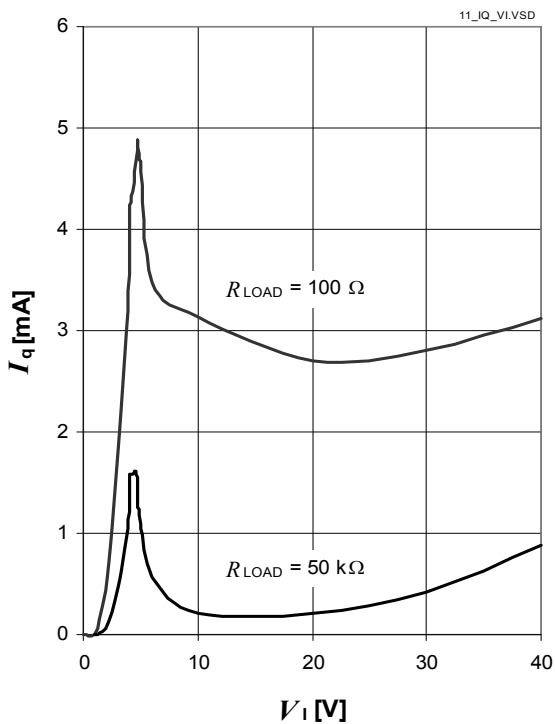
**Current consumption  $I_q$  versus output current  $I_Q$  ( $I_Q$  low)**



**Current consumption  $I_q$  versus output current  $I_Q$**



**Current consumption  $I_q$  versus input voltage  $V_i$**





## Block description and electrical characteristics

### 4.3 Reset function

The reset function provides several features:

#### Output undervoltage reset:

An output undervoltage condition is indicated by setting the Reset Output RO to “low”. This signal might be used to reset a microcontroller during low supply voltage.

#### Power-on reset delay time:

The power-on reset delay time  $t_{rd}$  allows a microcontroller and oscillator to start up. This delay time is the time frame from exceeding the reset switching threshold  $V_{RT}$  until the reset is released by switching the reset output “RO” from “low” to “high”. The power-on reset delay time  $t_{rd}$  is defined by an external delay capacitor  $C_D$  connected to pin D charged by the delay capacitor charge current  $I_{D,ch}$  starting from  $V_D = 0$  V.

If the application needs a power-on reset delay time  $t_{rd}$  different from the value given in **Power-on reset delay time**, the delay capacitor’s value can be derived from the specified values in **Power-on reset delay time** and the desired power-on delay time:

$$C_D = \frac{t_{rd,new}}{t_{rd}} \times 100\text{nF} \quad (4.1)$$

with

- $C_D$ : capacitance of the delay capacitor to be chosen
- $t_{rd,new}$ : desired power-on reset delay time
- $t_{rd}$ : power-on reset delay time specified in this datasheet

For a precise calculation also take the delay capacitor’s tolerance into consideration.

#### Reset reaction time:

The reset reaction time avoids that short undervoltage spikes trigger an unwanted reset “low” signal. The reset reaction time  $t_{rr}$  considers the internal reaction time  $t_{rr,int}$  and the discharge time  $t_{rr,d}$  defined by the external delay capacitor  $C_D$  (see typical performance graph for details). Hence, the total reset reaction time becomes:

$$t_{rr} = t_{rd,int} + t_{rr,d} \quad (4.2)$$

with

- $t_{rr}$ : reset reaction time
- $t_{rr,int}$ : internal reset reaction time
- $t_{rr,d}$ : reset discharge

#### Optional reset output pull-up resistor $R_{RO,ext}$ :

The Reset Output RO is an open collector output with an integrated pull-up resistor. To improve the EMC behavior of the component, an external pull-up resistor to the output  $V_Q$  can be added. In **Table 9 “Electrical characteristics reset function” on Page 19** a minimum value for the external resistor  $R_{RO,ext}$  is given.

**Block description and electrical characteristics**

**Reset adjust function**

The undervoltage reset switching threshold can be adjusted according to the application’s needs by connecting an external voltage divider ( $R_{ADJ1}, R_{ADJ2}$ ) at pin RADJ. For selecting the default threshold connect pin RADJ to GND.

When dimensioning the voltage divider, take into consideration that there will be an additional current constantly flowing through the resistors.

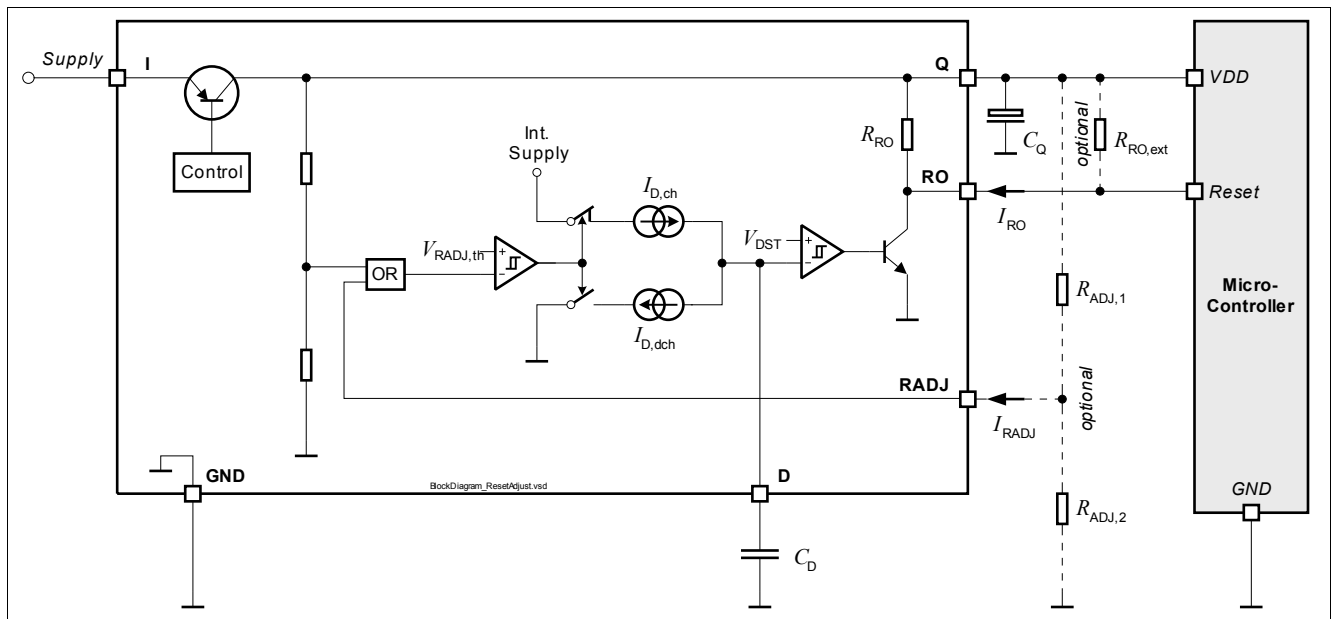
With a voltage divider connected, the reset switching threshold  $V_{RT,new}$  is calculated as follows:

(4.3)

$$V_{RT,new} = \frac{R_{ADJ,1} + R_{ADJ,2}}{R_{ADJ,2}} \times V_{RADJ,th}$$

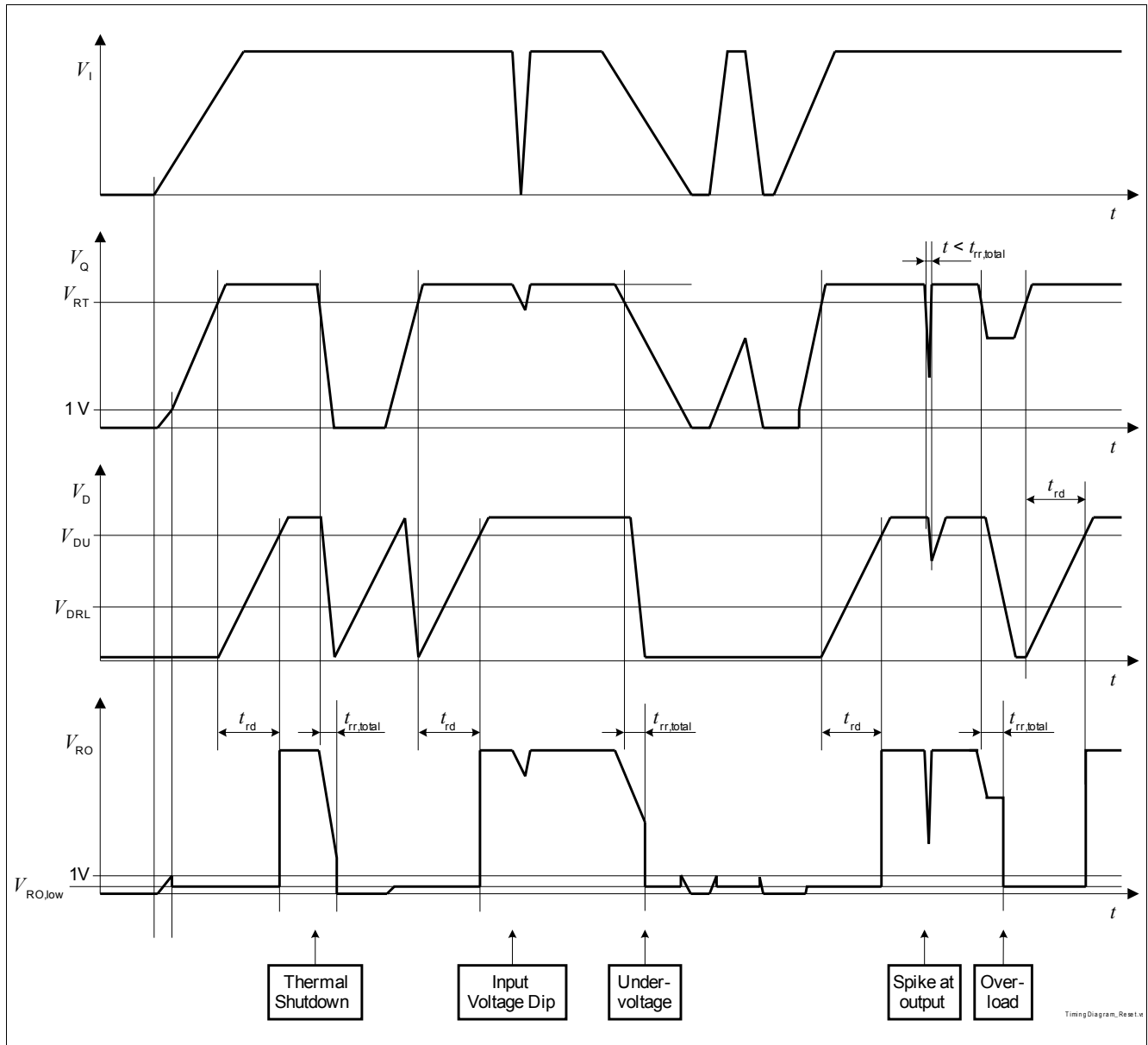
with

- $V_{RT,new}$ : the desired new reset switching threshold
- $R_{ADJ1}, R_{ADJ2}$ : resistors of the external voltage divider
- $V_{RADJ,th}$ : reset adjust switching threshold given in **Table 9 “Electrical characteristics reset function” on Page 19**



**Figure 5 Block diagram reset function**

**Block description and electrical characteristics**



**Figure 6** Timing diagram reset

**Table 9** Electrical characteristics reset function

$V_i = 13.5\text{ V}$ ,  $-40\text{ °C} \leq T_j \leq 150\text{ °C}$ , all voltages with respect to ground, positive current flowing into pin (unless otherwise specified)

Parameter	Symbol	Values			Unit	Note or Test Condition	Number
		Min.	Typ.	Max.			
<b>Output undervoltage reset</b>							
Default output undervoltage Reset switching thresholds	$V_{RT}$	4.5	4.65	4.8	V	$V_Q$ decreasing	P_5.3.1
<b>Output undervoltage reset threshold adjustment</b>							
Reset adjust Switching threshold	$V_{RADJ,th}$	1.26	1.35	1.44	V	$3.5\text{ V} \leq V_Q < 5\text{ V}$	P_5.3.2

**Block description and electrical characteristics**

**Table 9 Electrical characteristics reset function (cont'd)**

$V_I = 13.5\text{ V}$ ,  $-40\text{ °C} \leq T_j \leq 150\text{ °C}$ , all voltages with respect to ground, positive current flowing into pin (unless otherwise specified)

Parameter	Symbol	Values			Unit	Note or Test Condition	Number
		Min.	Typ.	Max.			
Reset adjustment range <sup>1)</sup>	$V_{RT,range}$	3.50	–	4.65	V	–	P_5.3.3

**Reset output RO**

Reset output low voltage	$V_{RO,low}$	–	0.1	0.4	V	$1\text{ V} \leq V_Q \leq V_{RT}$ no external $R_{RO,ext}$	P_5.3.4
Reset output internal pull-up resistor to $V_Q$	$R_{RO}$	10	20	40	k $\Omega$	–	P_5.3.5
Optional reset output external pull-up resistor to $V_Q$	$R_{RO,ext}$	20	–	–	k $\Omega$	$1\text{ V} \leq V_Q \leq V_{RT}$ ; $V_{RO} \leq 0.4\text{ V}$	P_5.3.6

**Reset delay timing**

Delay pin output voltage	$V_D$	–	–	5	V	–	P_5.3.7
Power-on reset delay time	$t_{rd}$	17	28	39	ms	$C_D = 100\text{ nF}$	P_5.3.8
Upper delay switching threshold	$V_{DU}$	–	1.8	–	V	–	P_5.3.9
Lower delay switching threshold	$V_{DL}$	–	0.45	–	V	–	P_5.3.10
Delay capacitor charge current	$I_{D,ch}$	–	6.5	–	$\mu\text{A}$	$V_D = 1\text{ V}$	P_5.3.11
Delay capacitor reset discharge current	$I_{D,dch}$	–	70	–	mA	$V_D = 1\text{ V}$	P_5.3.12
Delay capacitor discharge time	$t_{rr,d}$	–	1.9	3	$\mu\text{s}$	Calculated value: $t_{rr,d} = C_D \cdot (V_{DU} - V_{DL}) / I_{D,dch}$ $C_D = 100\text{ nF}$	P_5.3.13
Internal reset reaction time	$t_{rr,int}$	–	3	7	$\mu\text{s}$	$C_D = 0\text{ nF}$ <sup>2)</sup>	P_5.3.14
Reset reaction time	$t_{rr,total}$	–	4.9	10	$\mu\text{s}$	Calculated value: $t_{rr,total} = t_{rr,int} + t_{rr,d}$ $C_D = 100\text{ nF}$	P_5.3.15

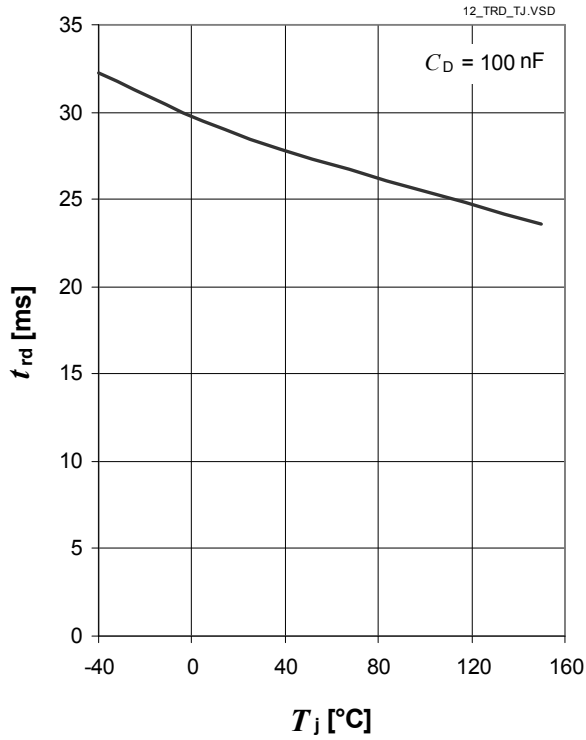
1)  $V_{RT}$  is scaled linearly, in case the reset switching threshold is modified

2) Parameter not subject to production test; specified by design

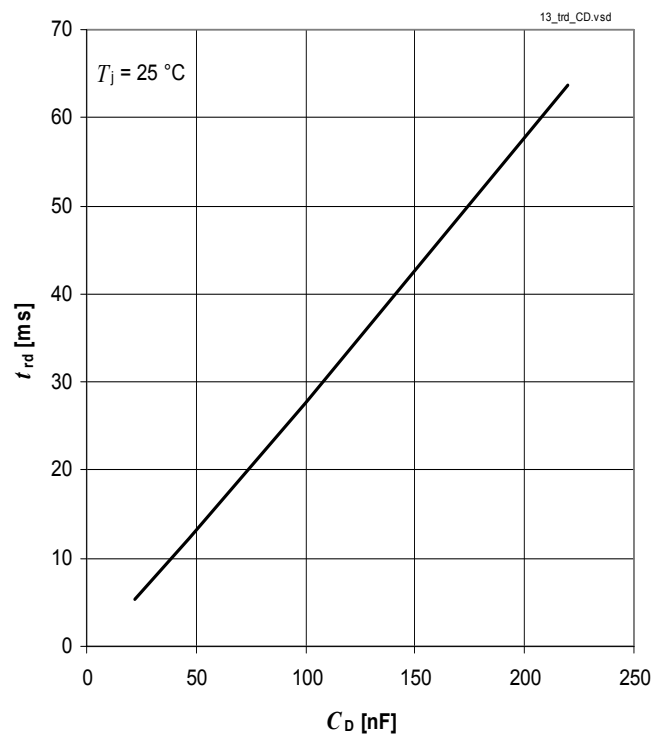
**Block description and electrical characteristics**

**Typical performance characteristics reset function**

**Power-on reset delay time  $t_{rd}$   
versus junction temperature  $T_j$**



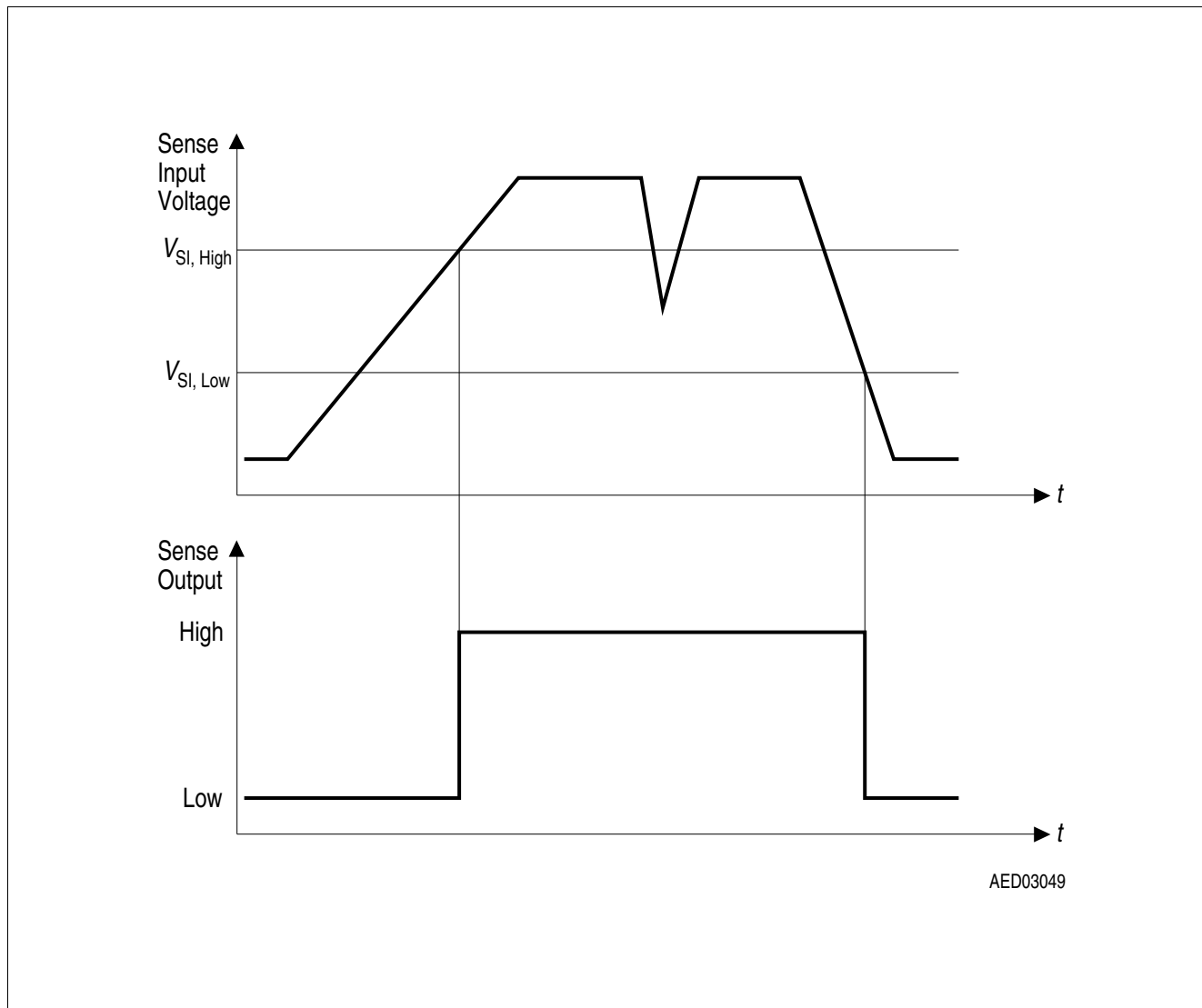
**Power-on reset delay time  $t_{rd}$   
versus capacitance  $C_D$**



**Block description and electrical characteristics**

**4.4 Early warning function**

The additional sense comparator provides an early warning function: Any voltage (e.g. the input voltage) can be monitored, an undervoltage condition is indicated by setting the comparator's output to low.



**Figure 7 Sense timing diagram**

**Table 10 Electrical characteristics early warning function**

$V_I = 13.5\text{ V}$ ,  $-40\text{ °C} \leq T_j \leq 150\text{ °C}$ , all voltages with respect to ground, positive current flowing into pin (unless otherwise specified)

Parameter	Symbol	Values			Unit	Note or Test Condition	Number
		Min.	Typ.	Max.			
<b>Sense comparator input</b>							
Sense threshold high	$V_{SI,high}$	1.24	1.31	1.38	V	–	P_5.4.1
Sense threshold low	$V_{SI,low}$	1.16	1.22	1.28	V	–	P_5.4.2
Sense switching hysteresis	$V_{SI,hy}$	20	90	160	mV	–	P_5.4.3
Sense input current	$I_{SI}$	-1	-0.1	1	$\mu\text{A}$	–	P_5.4.4

**Block description and electrical characteristics**

**Table 10 Electrical characteristics early warning function (cont'd)**

$V_I = 13.5\text{ V}$ ,  $-40\text{ °C} \leq T_j \leq 150\text{ °C}$ , all voltages with respect to ground, positive current flowing into pin (unless otherwise specified)

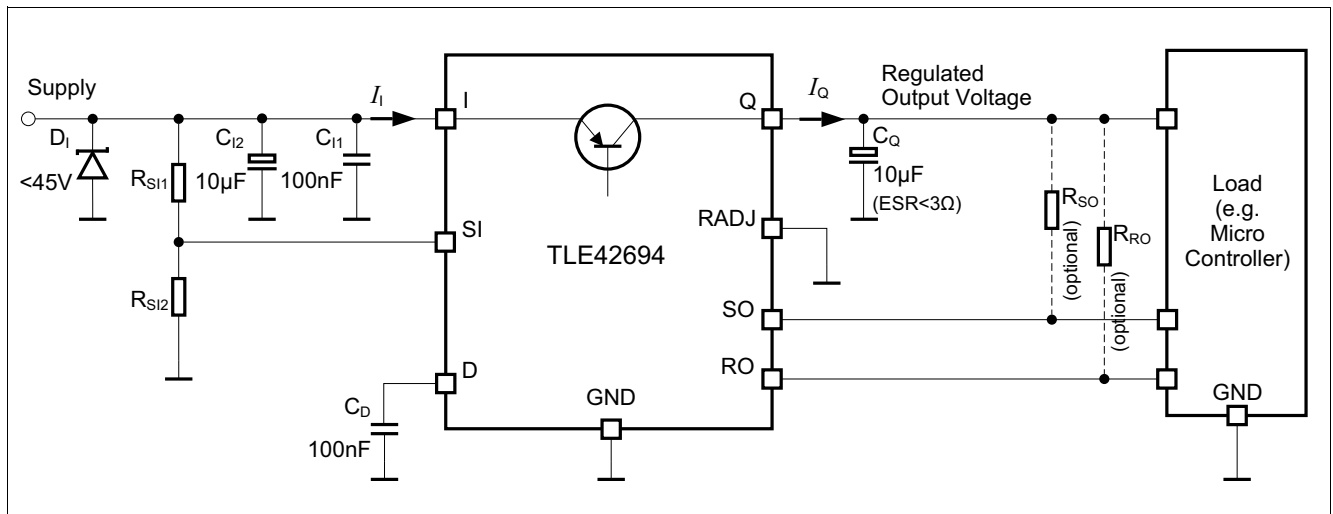
Parameter	Symbol	Values			Unit	Note or Test Condition	Number
		Min.	Typ.	Max.			
<b>Sense comparator output</b>							
Sense output low voltage	$V_{SO,low}$	–	0.1	0.4	V	$V_{SI} < V_{SI,low}$ $V_I > 5.5\text{ V}$ no external $R_{SO,ext}$	P_5.4.5
Sense output internal pull-up resistor to $V_Q$	$R_{SO,int}$	10	20	40	k $\Omega$	–	P_5.4.7
Optional sense output external pull-up resistor to $V_Q$	$R_{SO,ext}$	20	–	–	k $\Omega$	$V_I > 5.5\text{ V}$ $V_{SO} \leq 0.4\text{ V}$	P_5.4.8

**Application information**

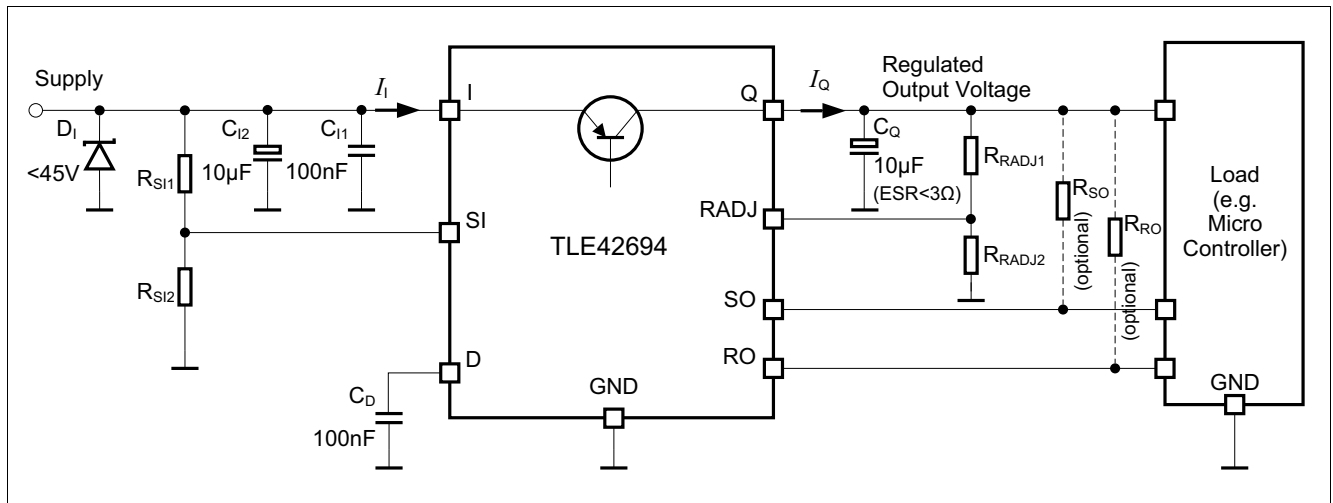
**5 Application information**

*Note: The following information is given as a hint for the implementation of the device only and shall not be regarded as a description or warranty of a certain functionality, condition or quality of the device.*

**5.1 Application diagram**



**Figure 8 Application diagram with selecting default reset thresholds**



**Figure 9 Application diagram with reset thresholds adjustment**



---

**Application information**

## **5.2 Selection of external components**

### **5.2.1 Input pin**

The typical input circuitry for a linear voltage regulator is shown in the application diagram above.

A ceramic capacitor at the input, in the range of 100 nF to 470 nF, is recommended to filter out the high frequency disturbances imposed by the line e.g. ISO pulses 3a/b. This capacitor must be placed very close to the input pin of the linear voltage regulator on the PCB.

An aluminum electrolytic capacitor in the range of 10  $\mu$ F to 470  $\mu$ F is recommended as an input buffer to smooth out high energy pulses, such as ISO pulse 2a. This capacitor should be placed close to the input pin of the linear voltage regulator on the PCB.

An overvoltage suppressor diode can be used to further suppress any high voltage beyond the maximum rating of the linear voltage regulator and protect the device against any damage due to over-voltage.

The external components at the input are not mandatory for the operation of the voltage regulator, but they are recommended in case of possible external disturbances.

### **5.2.2 Output pin**

An output capacitor is mandatory for the stability of linear voltage regulators.

The requirement to the output capacitor is given in **“Functional range” on Page 9**. The graph **“Output capacitor series resistor ESR( $C_Q$ ) versus output current  $I_Q$ ” on Page 14** shows the stable operation range of the device.

TLE42694 is designed to be stable with extremely low ESR capacitors. According to the automotive environment, ceramic capacitors with X5R or X7R dielectrics are recommended.

The output capacitor should be placed as close as possible to the regulator’s output and GND pins and on the same side of the PCB as the regulator itself.

In case of rapid transients of input voltage or load current, the capacitance should be dimensioned in accordance and verified in the real application that the output stability requirements are fulfilled.

## Application information

### 5.3 Thermal considerations

Knowing the input voltage, the output voltage and the load profile of the application, the total power dissipation can be calculated:

$$P_D = (V_I - V_Q) \times I_Q + V_I \times I_q \quad (5.1)$$

with

- $P_D$ : continuous power dissipation
- $V_I$ : input voltage
- $V_Q$ : output voltage
- $I_Q$ : output current
- $I_q$ : quiescent current

The maximum acceptable thermal resistance  $R_{thJA}$  can then be calculated:

$$R_{thJA, max} = \frac{T_{j, max} - T_a}{P_D} \quad (5.2)$$

with

- $T_{j, max}$ : maximum allowed junction temperature
- $T_a$ : ambient temperature

Based on the above calculation the proper PCB type and the necessary heat sink area can be determined with reference to the specification in **“Thermal resistance” on Page 10**.

#### Example

Application conditions:

$$V_I = 13.5 \text{ V}$$

$$V_Q = 5 \text{ V}$$

$$I_Q = 50 \text{ mA}$$

$$T_a = 105 \text{ °C}$$

Calculation of  $R_{thJA, max}$ :

$$P_D = (V_I - V_Q) \cdot I_Q + V_I \cdot I_q$$

$$= (13.5 \text{ V} - 5 \text{ V}) \cdot 50 \text{ mA} + 13.5 \text{ V} \cdot 8 \text{ mA}$$

$$= 0.425 \text{ W} + 0.108 \text{ W}$$

$$= 0.533 \text{ W}$$

$$R_{thJA, max} = (T_{j, max} - T_a) / P_D$$

$$= (150 \text{ °C} - 105 \text{ °C}) / 0.533 \text{ W}$$

$$= 84.4 \text{ K/W}$$

As a result, the PCB design must ensure a thermal resistance  $R_{thJA}$  lower than 84.4 K/W. By considering TLE42694E (PG-SSOP-14 EP package) and according to **“Thermal resistance” on Page 10**, at least 300 mm<sup>2</sup> heatsink area is needed on the FR4 1s0p PCB, or the FR4 2s2p board can be used.

**Application information**

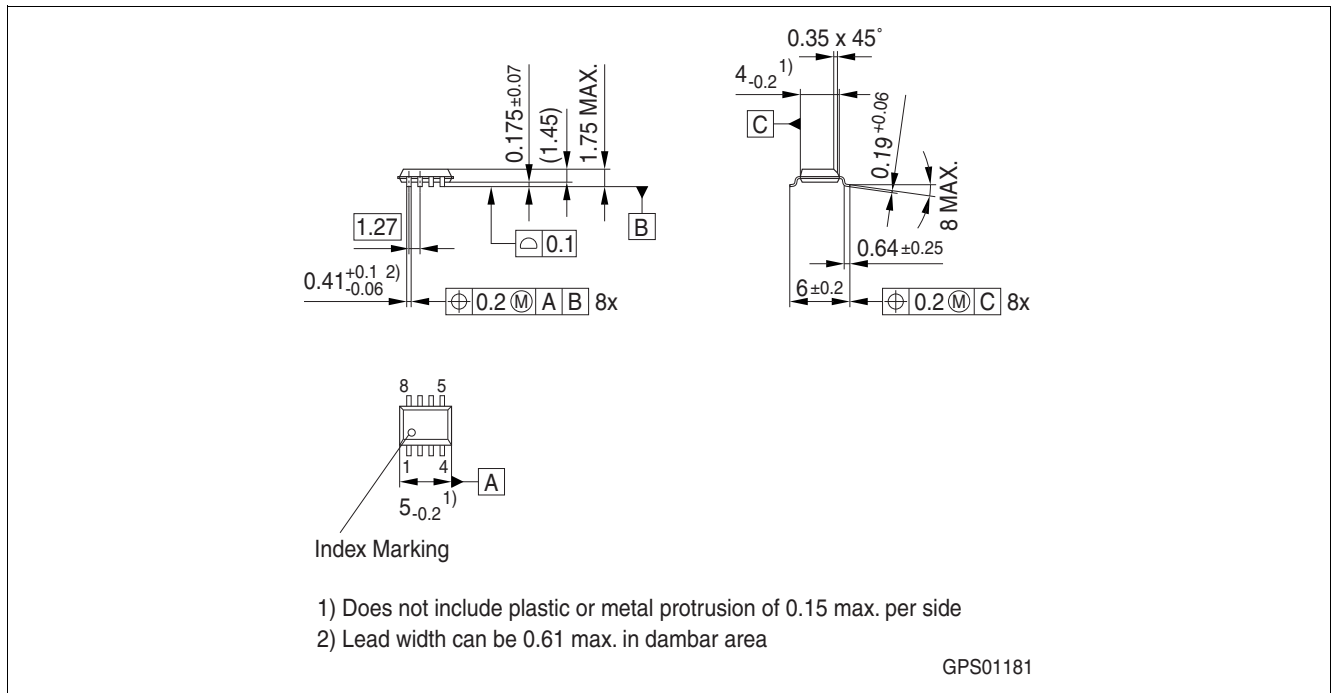
**5.4 Reverse polarity protection**

TLE42694 is self protected against reverse polarity faults and allows negative supply voltage. External reverse polarity diode is not needed. However, the absolute maximum ratings of the device as specified in **“Absolute maximum ratings” on Page 8** must be kept.

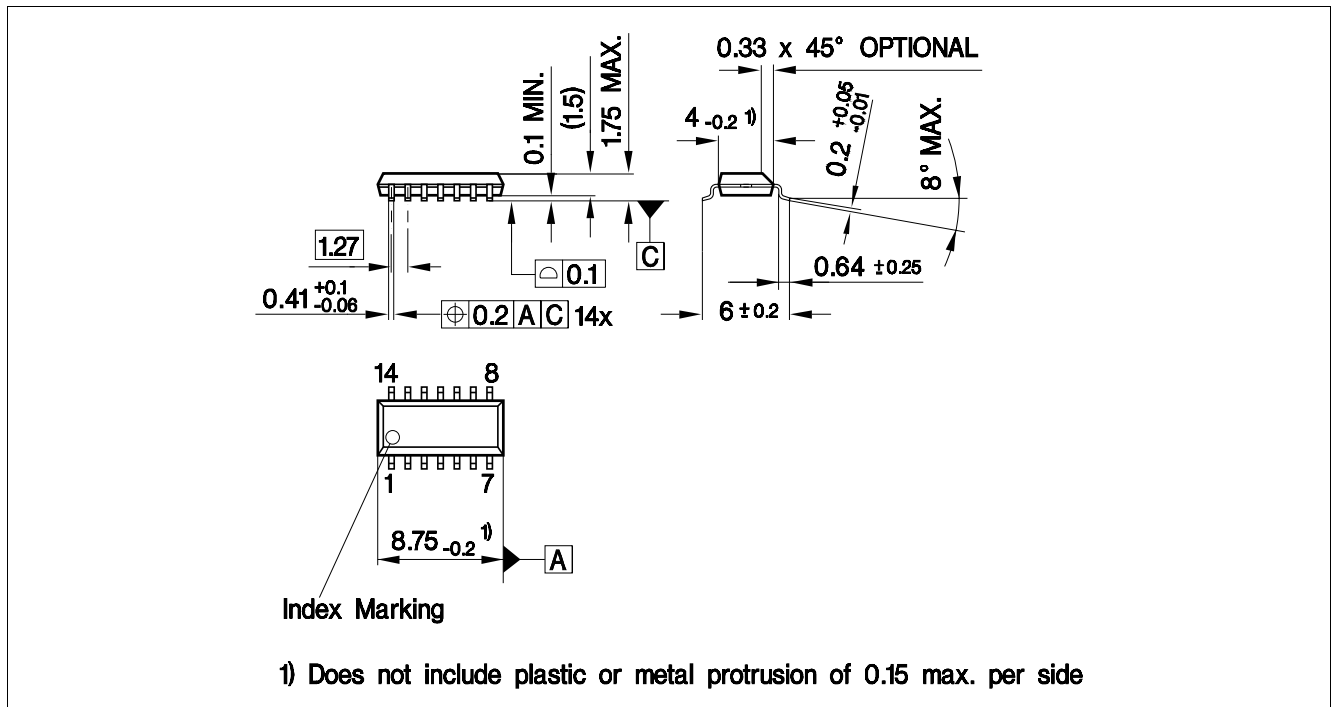
The reverse voltage causes several small currents to flow into the IC hence increasing its junction temperature. As the thermal shutdown circuitry does not work in the reverse polarity condition, designers have to consider this in their thermal design.

**Package information**

**6 Package information**



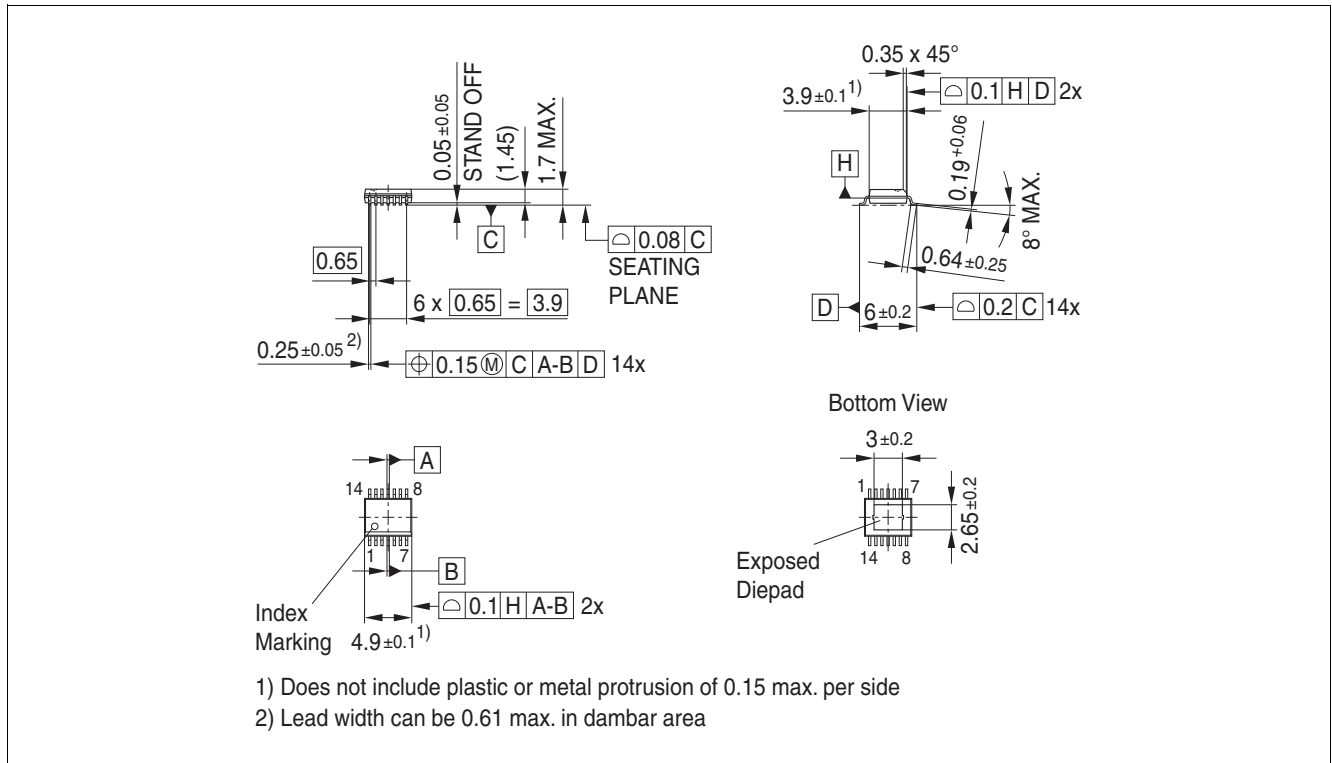
**Figure 10 PG-DSO-8<sup>1)</sup>**



**Figure 11 PG-DSO-14<sup>1)</sup>**

1) Dimensions in mm

**Package information**



**Figure 12 PG-SSOP-14 exposed pad<sup>1)</sup>**

**Green Product (RoHS compliant)**

To meet the world-wide customer requirements for environmentally friendly products and to be compliant with government regulations the device is available as a green product. Green products are RoHS-Compliant (i.e Pb-free finish on leads and suitable for Pb-free soldering according to IPC/JEDEC J-STD-020).

**Further information on packages**

<https://www.infineon.com/packages>

1) Dimensions in mm

**Revision History**

**7 Revision History**

Revision	Date	Changes
1.41	2019-04-30	Editorial change on page 5 and 6
1.4	2018-11-20	Updated Layout Updated package drawing "PG-DSO-14" Editorial changes
1.3	2014-07-03	<b>"Application information" on Page 24</b> added PG-SSOP-14 EP package outline updated
1.2	2010-11-26	Updated PG-SSOP-14 Exposed Pad connection
1.1	2008-10-07	package version TLE42694E in PG-SSOP-14 exposed pad and all related information added In <b>"Overview" on Page 2</b> package graphic for PG-SSOP-14 exposed pad and product name "TLE42694E" added In <b>Chapter 2 "Pin assignment PG-SSOP-14 exposed pad" on Page 6</b> and <b>"Pin definitions and functions PG-SSOP-14 exposed pad" on Page 6</b> added In <b>"Thermal resistance" on Page 10</b> values for TLE42694E added In <b>"Package Outlines" on Page 30</b> outlines for TLE42694E added
1.0	2008-08-25	initial version data sheet

## Trademarks

All referenced product or service names and trademarks are the property of their respective owners.

**Edition 2019-04-30**

**Published by**

**Infineon Technologies AG**

**81726 Munich, Germany**

**© 2019 Infineon Technologies AG.**

**All Rights Reserved.**

**Do you have a question about any aspect of this document?**

**Email: [erratum@infineon.com](mailto:erratum@infineon.com)**

**Document reference**

**Z8F52698690**

## IMPORTANT NOTICE

The information given in this document shall in no event be regarded as a guarantee of conditions or characteristics ("Beschaffenhheitsgarantie").

With respect to any examples, hints or any typical values stated herein and/or any information regarding the application of the product, Infineon Technologies hereby disclaims any and all warranties and liabilities of any kind, including without limitation warranties of non-infringement of intellectual property rights of any third party.

In addition, any information given in this document is subject to customer's compliance with its obligations stated in this document and any applicable legal requirements, norms and standards concerning customer's products and any use of the product of Infineon Technologies in customer's applications.

The data contained in this document is exclusively intended for technically trained staff. It is the responsibility of customer's technical departments to evaluate the suitability of the product for the intended application and the completeness of the product information given in this document with respect to such application.

For further information on technology, delivery terms and conditions and prices, please contact the nearest Infineon Technologies Office ([www.infineon.com](http://www.infineon.com)).

## WARNINGS

Due to technical requirements products may contain dangerous substances. For information on the types in question please contact your nearest Infineon Technologies office.

Except as otherwise explicitly approved by Infineon Technologies in a written document signed by authorized representatives of Infineon Technologies, Infineon Technologies' products may not be used in any applications where a failure of the product or any consequences of the use thereof can reasonably be expected to result in personal injury.