



## Overview

### Basic Features

- High-Side Switch with Diagnosis and Embedded Protection
- Part of SPOC™+2 Family
- Daisy Chain capable SPI interface
- 3.3 V and 5 V compatible logic pins
- Slew rate control for internal Channels
- Integrated control for one external smart power switch
- ReverSave™ for low power dissipation in Reverse Polarity
- Switch ON capability while Inverse Current condition (InverseON)
- Green Product (RoHS compliant)
- Qualified in accordance with AEC Q100 grade 1

### Protection Features

- Absolute and dynamic temperature limitation with controlled restart
- Overcurrent protection (tripping) with Programmable Restart Control and Current Threshold
- Undervoltage shutdown
- Overvoltage protection with external components

### Diagnostic Features

- Proportional load current sense multiplexed
- Open Load in ON and OFF state
- Short circuit to ground and battery
- Diagnosis feedback via SPI

### Functional Safety Features

- Limp Home mode
- Monitoring of Input pin status (IN and LHI)
- Checksum verification of Configuration Registers
- Current Sense verification mode

### Description

The BTS71040-4ESE is a SPI Power Controller, providing protection functions and diagnosis. The device is integrated in SMART7 technology.

**Table 1 Product Summary**

Parameter	Symbol	Values
Minimum Operating voltage (at switch ON)	$V_{S(OP)}$	4.1 V
Minimum Operating voltage (cranking)	$V_{S(UV)}$	3.1 V
Maximum Operating voltage	$V_S$	28 V
Digital Supply voltage	$V_{DD}$	3.3 V or 5 V
Minimum Overvoltage protection ( $T_J = 25\text{ °C}$ )	$V_{DS(CLAMP)_25}$	35 V
Maximum current in Sleep mode ( $T_J \leq 85\text{ °C}$ )	$I_{VS(SLEEP)_85}$	0.4 $\mu$ A

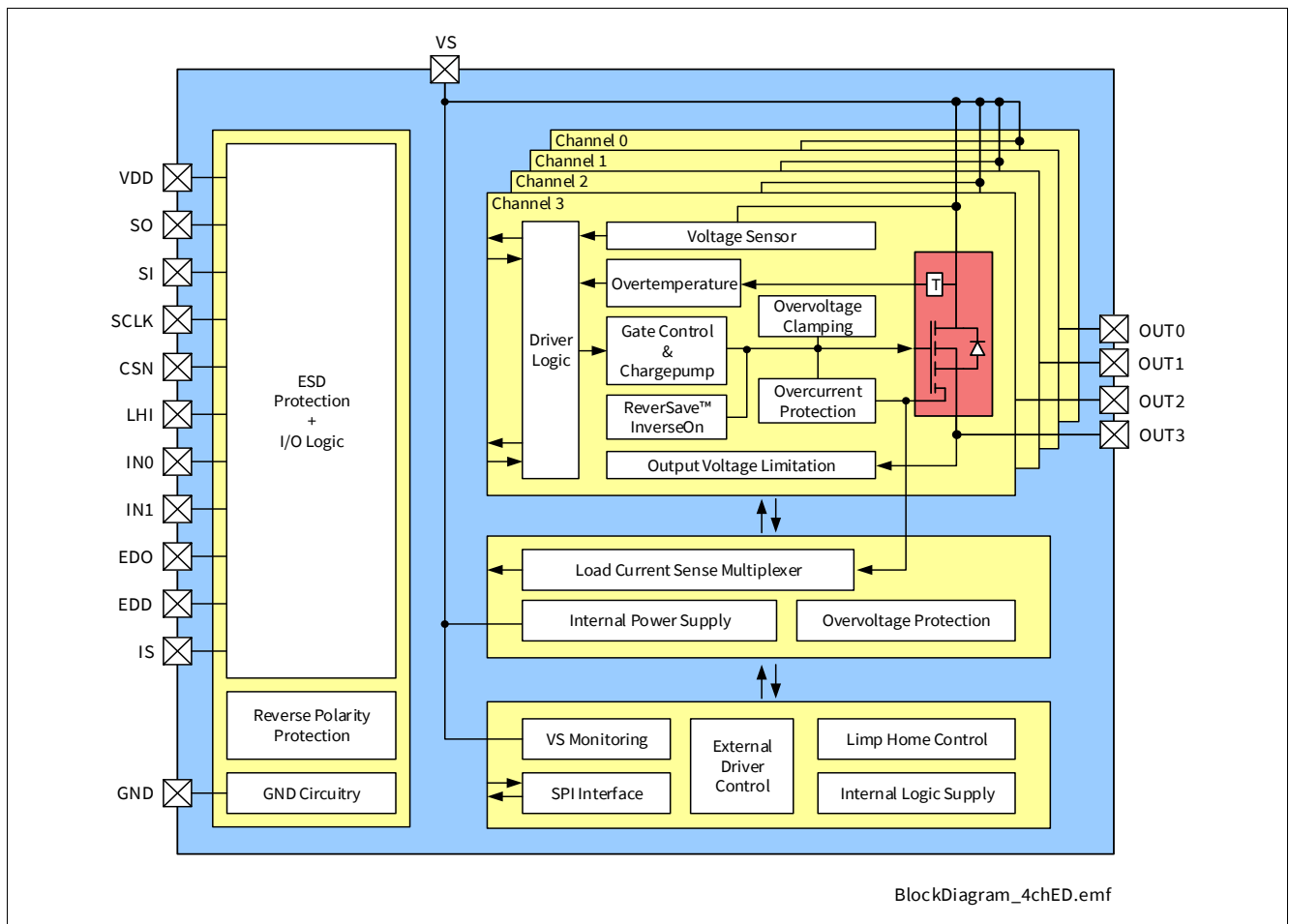
**Overview**

**Table 1 Product Summary** (continued)

<b>Parameter</b>	<b>Symbol</b>	<b>Values</b>
Maximum operative current	$I_{\text{GND(ACTIVE)}}$	7 mA
Maximum ON-state resistance ( $T_J = 150\text{ °C}$ )	$R_{\text{DS(ON)}_{150}}$	38 mΩ
Nominal load current ( $T_A = 85\text{ °C}$ )	$I_{\text{L(NOM)}}$	3 A
Typical current sense ratio at $I_L = I_{\text{L(NOM)}}$	$k_{\text{ILIS}}$	2000
Serial Clock Frequency	$f_{\text{SCLK(max)}}$	5 MHz

## 2 Block Diagram and Terms

### 2.1 Block Diagram

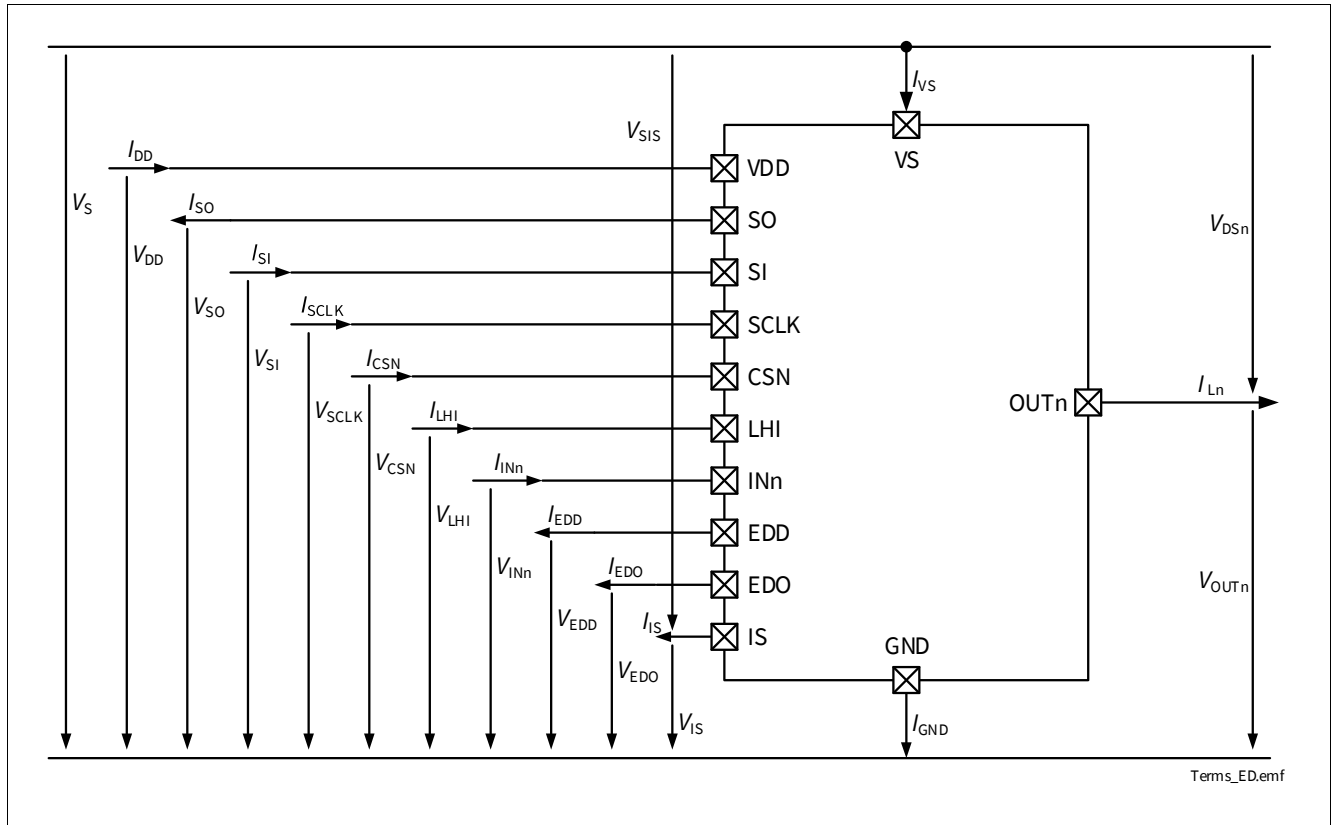


**Figure 2 Block Diagram of BTS71040-4ESE**

**Block Diagram and Terms**

**2.2 Terms**

**Figure 3** shows all terms used in this data sheet, with associated convention for positive values.

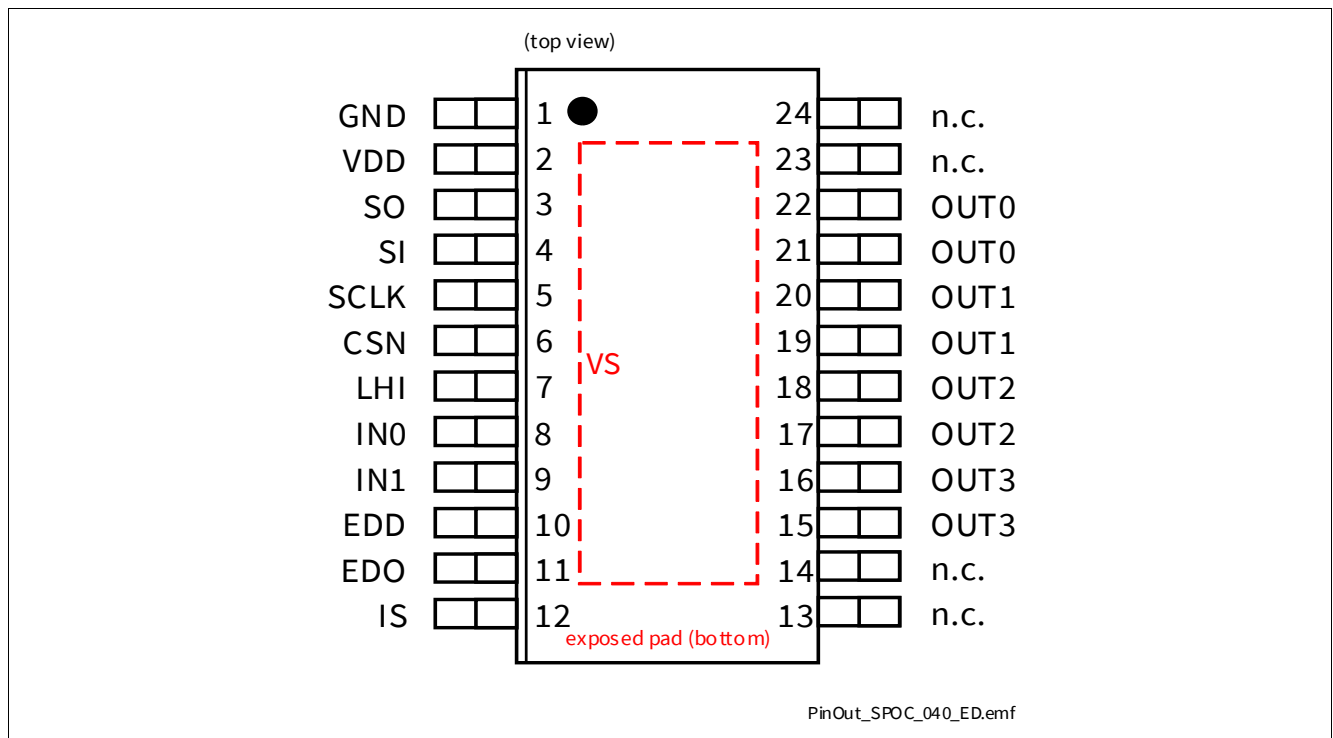


**Figure 3 Voltage and Current Convention**

**Pin Configuration**

**3 Pin Configuration**

**3.1 Pin Assignment**



**Figure 4 Pin Configuration**

**Pin Configuration**

**3.2 Pin Definitions and Functions**

**Table 2 Pin Definition**

Pin	Symbol	I/O	Function
EP	VS (exposed pad)	-	<b>Power Supply Voltage</b> Battery voltage
1	GND	-	<b>Ground</b>
2	VDD	-	<b>Digital Supply Voltage</b>
3	SO	O	<b>Serial output of SPI interface</b>
4	SI	I	<b>Serial input of SPI interface (“high” active)</b>
5	SCLK	I	<b>Serial clock of SPI interface (“high” active)</b>
6	CSN	I	<b>Chip select of SPI interface (“low” active); integrated pull up to VDD</b>
7	LHI	I	<b>Limp Home activation signal (“high” active)</b>
8, 9	INn	I	<b>Input Channel n</b> Digital signal to switch ON the channel n (“high” active) If not used: connect with a 10 kΩ resistor either to GND pin or to module ground
10	EDD	O	<b>External driver diagnosis enable signal</b> Digital signal to activate the diagnosis of an external controlled device
11	EDO	O	<b>External driver output enable signal</b> Digital signal to activate the output of an external controlled device
12	IS	O	<b>Current sense output signal</b>
23-24	n.c.	-	<b>Not connected, internally not bonded, shorted together</b>
21-22 19-20 17-18 15-16	OUTn	O	<b>Output n</b> Protected high-side power output of channel n <sup>1)</sup>
13-14	n.c.	-	<b>Not connected, internally not bonded, shorted together</b>

1) All output pins of the channel must be connected together on the PCB. All pins of the output are internally connected together. PCB traces have to be designed to withstand the maximum current which can flow.

**General Product Characteristics**

**4 General Product Characteristics**

**4.1 Absolute Maximum Ratings - General**

**Table 3 Absolute Maximum Ratings<sup>1)</sup>**

$T_J = -40\text{ °C}$  to  $+150\text{ °C}$ ; all voltages with respect to ground, positive current flowing into pin (unless otherwise specified)

Parameter	Symbol	Values			Unit	Note or Test Condition	Number
		Min.	Typ.	Max.			
<b>Supply pins</b>							
Power Supply Voltage	$V_S$	-0.3	–	28	V	–	P_4.1.0.1
Digital Supply Voltage	$V_{DD}$	-0.3	–	5.5	V	–	P_4.1.0.29
Load Dump Voltage	$V_{BAT(LD)}$	–	–	35	V	suppressed Load Dump acc. to ISO16750-2 (2010). $R_i = 2\ \Omega$	P_4.1.0.3
Supply Voltage for Short Circuit Protection	$V_{BAT(SC)}$	0	–	24	V	Setup acc. to AEC-Q100-012	P_4.1.0.25
Reverse Polarity Voltage	$-V_{BAT(REV)}$	–	–	16	V	$t \leq 2\text{ min}$ $T_A = +25\text{ °C}$ Setup as described in <a href="#">Chapter 11</a>	P_4.1.0.5
Current through GND Pin	$I_{GND}$	-50	–	50	mA	$R_{GND}$ according to <a href="#">Chapter 11</a>	P_4.1.0.9
Current through VDD Pin	$I_{VDD(REV)}$	-10	–	30	mA	$t \leq 2\text{ min}$	P_4.1.0.10
Counter Reset Delay Time after Fault Condition	$t_{RETRY}$	50	–	–	ms	–	P_4.1.0.35

**Logic & control pins (Digital Input = DI)**

**DI = INn, CS, SCLK, SI, LHI**

Current through DI Pin	$I_{DI}$	-1	–	2	mA	<sup>2)</sup>	P_4.1.0.14
Current through DI Pin Reverse Battery Condition	$I_{DI(REV)}$	-1	–	10	mA	<sup>2)</sup> $t \leq 2\text{ min}$	P_4.1.0.36

**Logic & control pins (Digital Output = DO)**

**DO = SO, EDO, EDD**

Current through DO Pin	$I_{DO}$	-2	–	1	mA	<sup>2)</sup>	P_4.1.0.33
Current through DO Pin Reverse Battery Condition	$I_{DO(REV)}$	-10	–	1	mA	<sup>2)</sup> $t \leq 2\text{ min}$	P_4.1.0.37



**General Product Characteristics**

**Table 3 Absolute Maximum Ratings<sup>1)</sup>** (continued)

$T_J = -40\text{ °C}$  to  $+150\text{ °C}$ ; all voltages with respect to ground, positive current flowing into pin (unless otherwise specified)

Parameter	Symbol	Values			Unit	Note or Test Condition	Number
		Min.	Typ.	Max.			
<b>IS pin</b>							
Voltage at IS Pin	$V_{IS}$	-1.5	–	$V_S$	V	$I_{IS} = 10\ \mu\text{A}$	P_4.1.0.16
Current through IS Pin	$I_{IS}$	-25	–	$I_{IS(SAT),M}$ AX	mA	–	P_4.1.0.18
<b>Temperatures</b>							
Junction Temperature	$T_J$	-40	–	150	°C	–	P_4.1.0.19
Storage Temperature	$T_{STG}$	-55	–	150	°C	–	P_4.1.0.20
<b>ESD Susceptibility</b>							
ESD Susceptibility all Pins (HBM)	$V_{ESD(HBM)}$	-2	–	2	kV	HBM <sup>3)</sup>	P_4.1.0.21
ESD Susceptibility OUTn vs GND and VS connected (HBM)	$V_{ESD(HBM)_OUT}$	-4	–	4	kV	HBM <sup>3)</sup>	P_4.1.0.22
ESD Susceptibility all Pins (CDM)	$V_{ESD(CDM)}$	-500	–	500	V	CDM <sup>4)</sup>	P_4.1.0.23
ESD Susceptibility Corner Pins (pins 1, 12, 13, 24)	$V_{ESD(CDM)_CRN}$	-750	–	750	V	CDM <sup>4)</sup>	P_4.1.0.24

- 1) Not subject to production test - specified by design.
- 2) Maximum  $V_{DI}$  to be considered for Latch-Up tests: 5.5 V.
- 3) ESD susceptibility, Human Body Model "HBM", according to AEC Q100-002.
- 4) ESD susceptibility, Charged Device Model "CDM", according to AEC Q100-011.

**Notes**

1. Stresses above the ones listed here may cause permanent damage to the device. Exposure to absolute maximum rating conditions for extended periods may affect device reliability.
2. Integrated protection functions are designed to prevent IC destruction under fault conditions described in the data sheet. Fault conditions are considered as “outside” normal operating range. Protection functions are not designed for continuous repetitive operation.

**General Product Characteristics**

**4.2 Absolute Maximum Ratings - Power Stages**

**4.2.1 Power Stages - 27 W channels**

**Table 4 Absolute Maximum Ratings - 27 W channels<sup>1)</sup>**

$T_J = -40\text{ °C}$  to  $+150\text{ °C}$ ; all voltages with respect to ground, positive current flowing into pin  
(unless otherwise specified)

Parameter	Symbol	Values			Unit	Note or Test Condition	Number
		Min.	Typ.	Max.			
Maximum Energy Dissipation Single Pulse	$E_{AS}$	–	–	28	mJ	$I_L = 2 \cdot I_{L(NOM)}$ $T_{J(0)} = 150\text{ °C}$ $V_S = 28\text{ V}$	P_4.2.16.1
Maximum Energy Dissipation Repetitive Pulse	$E_{AR}$	–	–	8.5	mJ	$I_L = I_{L(NOM)}$ $T_{J(0)} = 85\text{ °C}$ $V_S = 13.5\text{ V}$ 1M cycles	P_4.2.16.2
Load Current	$ I_L $	–	–	$I_{L(OVL),MAX}$	A	–	P_4.2.16.3

1) Not subject to production test - specified by design.

**General Product Characteristics**

**4.3 Functional Range**

**Table 5 Functional Range - Supply Voltages and Temperature<sup>1)</sup>**

Parameter	Symbol	Values			Unit	Note or Test Condition	Number
		Min.	Typ.	Max.			
Power Supply Voltage Range for Normal Operation	$V_{S(NOR)}$	6	13.5	18	V	–	P_4.3.0.1
Lower Extended Power Supply Voltage Range for Operation	$V_{S(EXT,LOW)}$	3.1	–	6	V	<sup>2)3)</sup> (parameter deviations possible)	P_4.3.0.2
Upper Extended Power Supply Voltage Range for Operation	$V_{S(EXT,UP)}$	18	–	28	V	<sup>3)</sup> (parameter deviations possible)	P_4.3.0.3
Digital Supply Voltage Range	$V_{DD(NOR)}$	3.0	–	5.5	V	–	P_4.3.0.4
Junction Temperature	$T_J$	-40	–	150	°C	–	P_4.3.0.5

1) Not subject to production test - specified by design.

2) In case of  $V_S$  voltage decreasing:  $V_{S(EXT,LOW),MIN} = 3.1$  V. In case of  $V_S$  voltage increasing:  $V_{S(EXT,LOW),MIN} = 4.1$  V.

3) Protection functions still operative.

*Note: Within the functional or operating range, the IC operates as described in the circuit description. The electrical characteristics are specified within the conditions given in the Electrical Characteristics tables.*

**General Product Characteristics**

**4.4 Thermal Resistance**

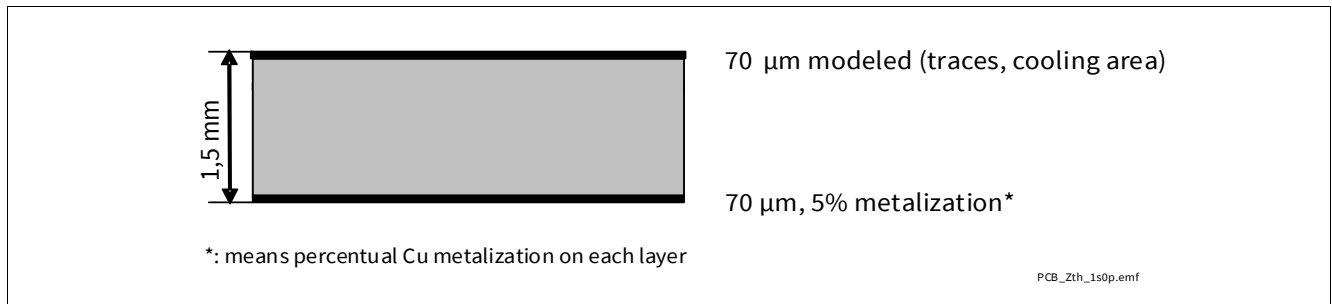
Note: This thermal data was generated in accordance with JEDEC JESD51 standards. For more information, go to [www.jedec.org](http://www.jedec.org).

**Table 6 Thermal Resistance<sup>1)</sup>**

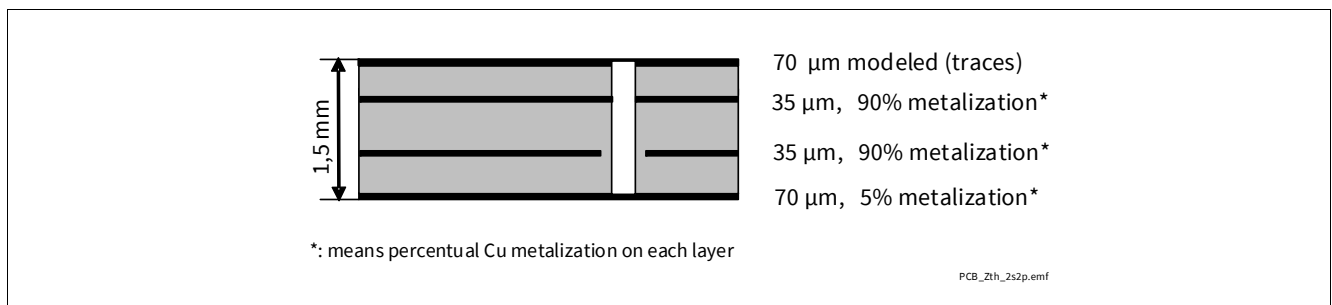
Parameter	Symbol	Values			Unit	Note or Test Condition	Number
		Min.	Typ.	Max.			
Thermal Characterization Parameter Junction-Top	$\Psi_{JTOP}$	–	3	5	K/W	<sup>2)</sup>	P_4.4.0.4
Thermal Resistance Junction-to-Case	$R_{thJC}$	–	3	5	K/W	<sup>2)</sup> simulated at exposed pad	P_4.4.0.5
Thermal Resistance Junction to Ambient	$R_{thJA}$	–	26.5	–	K/W	<sup>2)</sup>	P_4.4.0.10

- 1) Not subject to production test - specified by design.
- 2) According to Jecdec JESD51-2,-5,-7 at natural convection on FR4 2s2p board; the Product (Chip + Package) was simulated on a 76.2 × 114.3 × 1.5 mm board with 2 inner copper layers (2 × 70 μm Cu, 2 × 35 μm Cu). Where applicable a thermal via array under the exposed pad contacted the first inner copper layer. Simulation done at  $T_A = 105^\circ\text{C}$ ,  $P_{DISSIPATION} = 1 \text{ W}$ .

**4.4.1 PCB Setup**

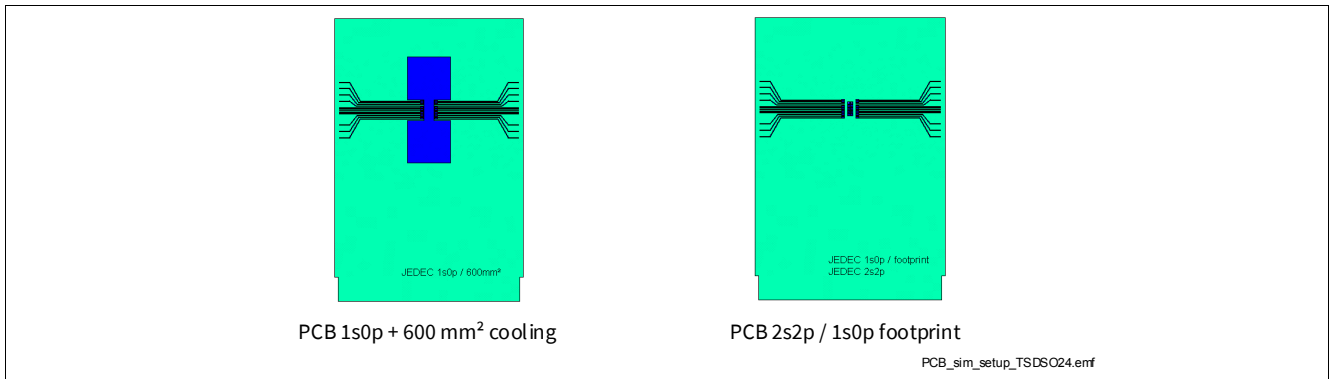


**Figure 5 1s0p PCB Cross Section**

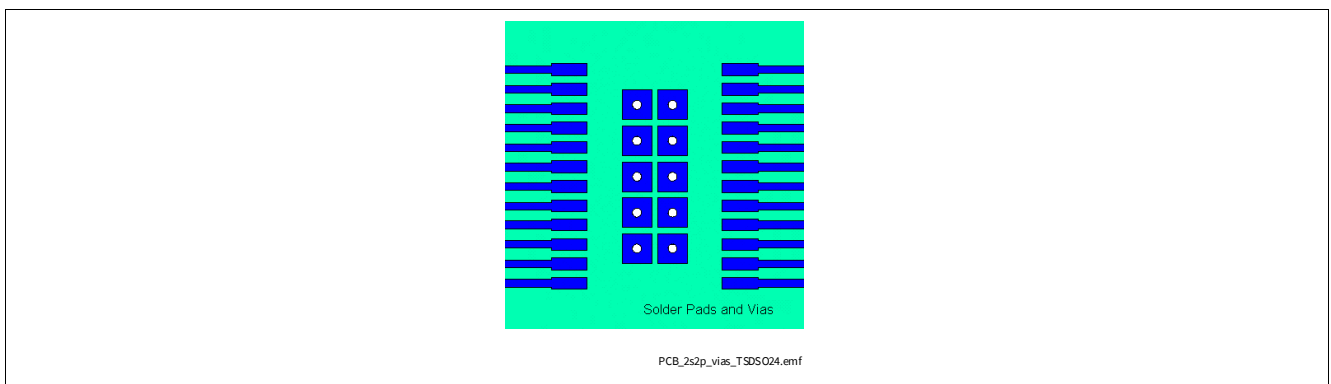


**Figure 6 2s2p PCB Cross Section**

**General Product Characteristics**

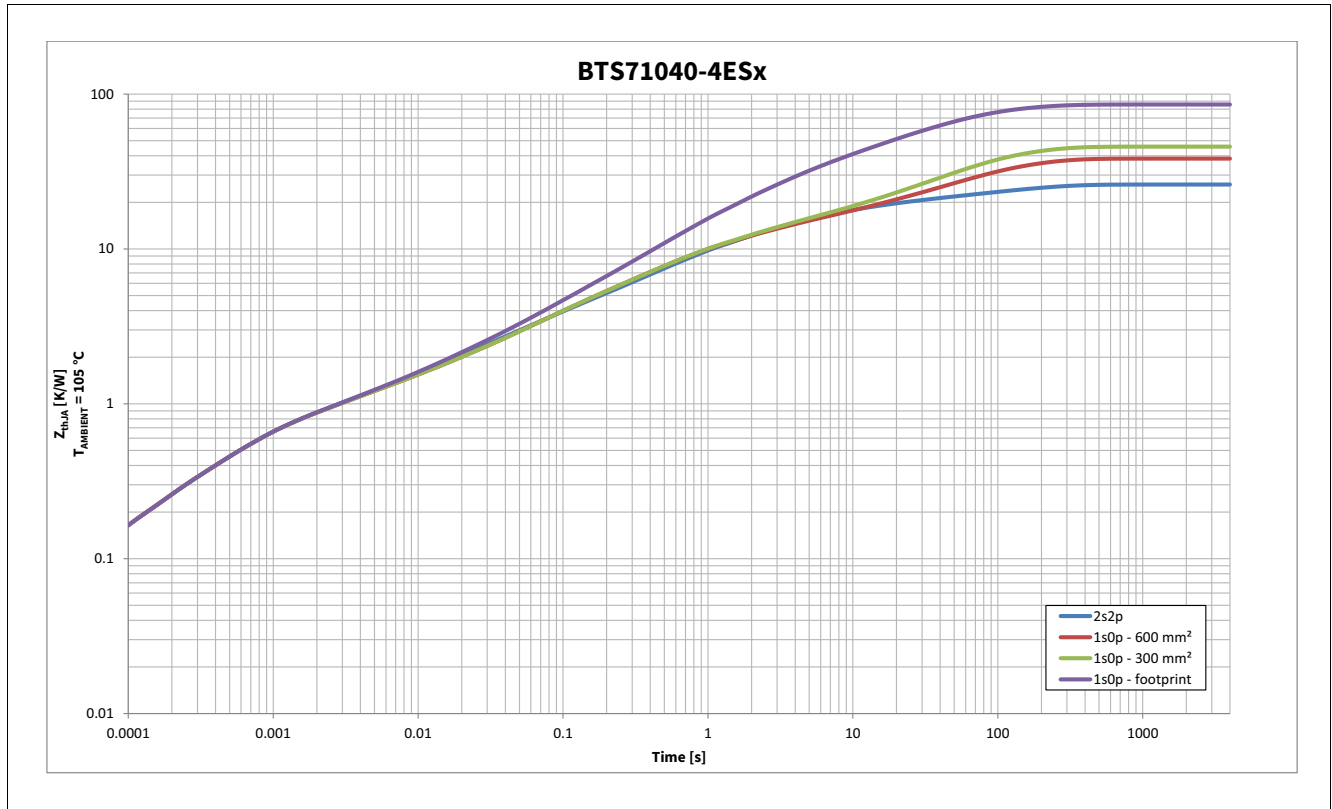


**Figure 7 PCB setup for thermal simulations**

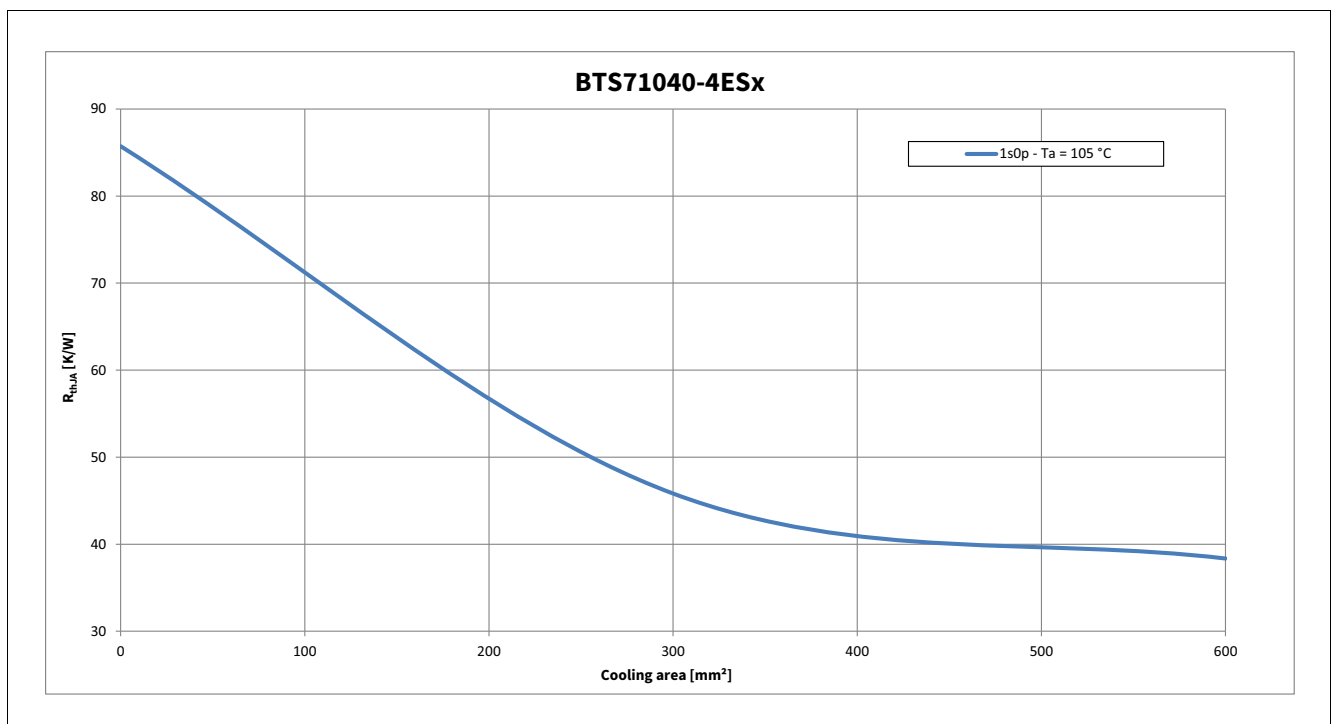


**Figure 8 Thermal vias on PCB for 2s2p PCB setup**

### 4.4.2 Thermal Impedance



**Figure 9** Typical Thermal Impedance. PCB setup according [Chapter 4.4.1](#)



**Figure 10** Thermal Resistance on 1s0p PCB with various cooling surfaces

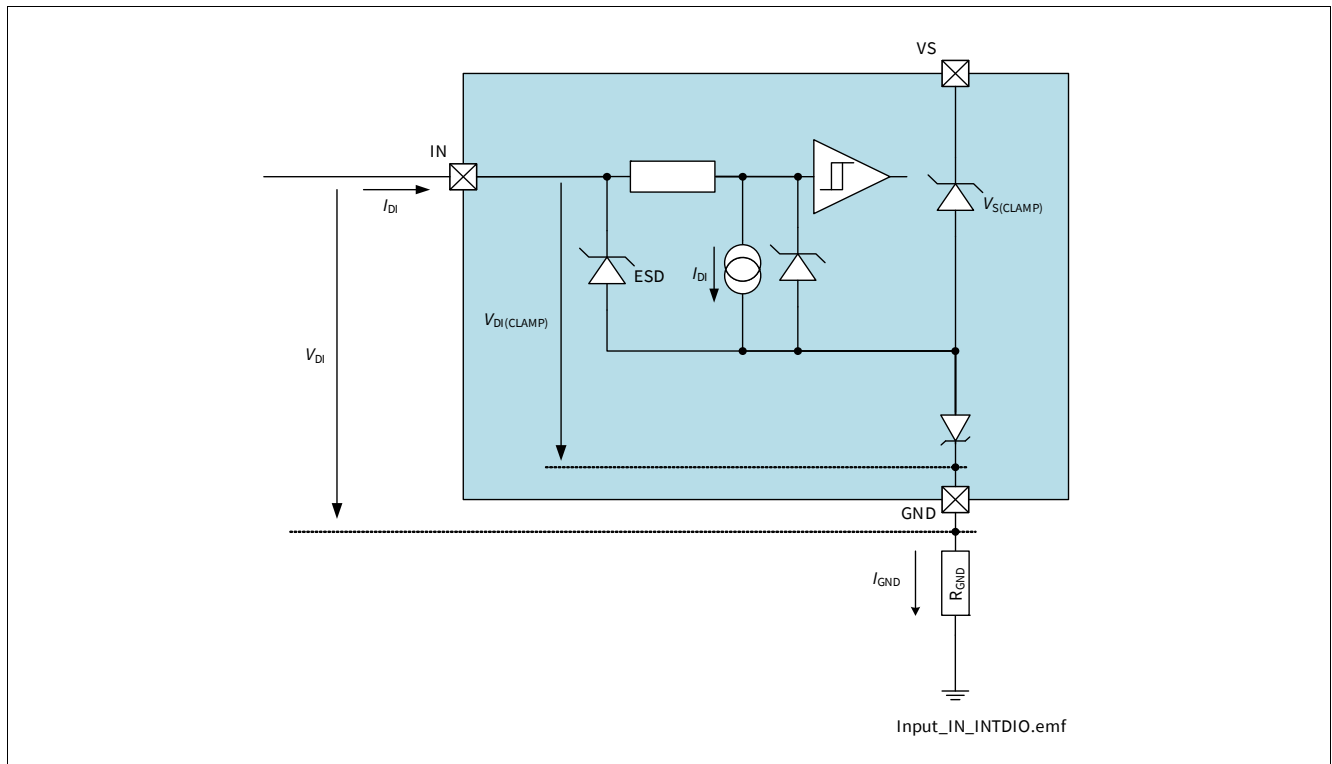
**Logic Pins**

**5 Logic Pins**

The device has 9 digital pins to configure and control the device. They can be grouped based on their function into input pins, SPI pins, external driver pins and Limp Home pin.

**5.1 Input Pins (INn)**

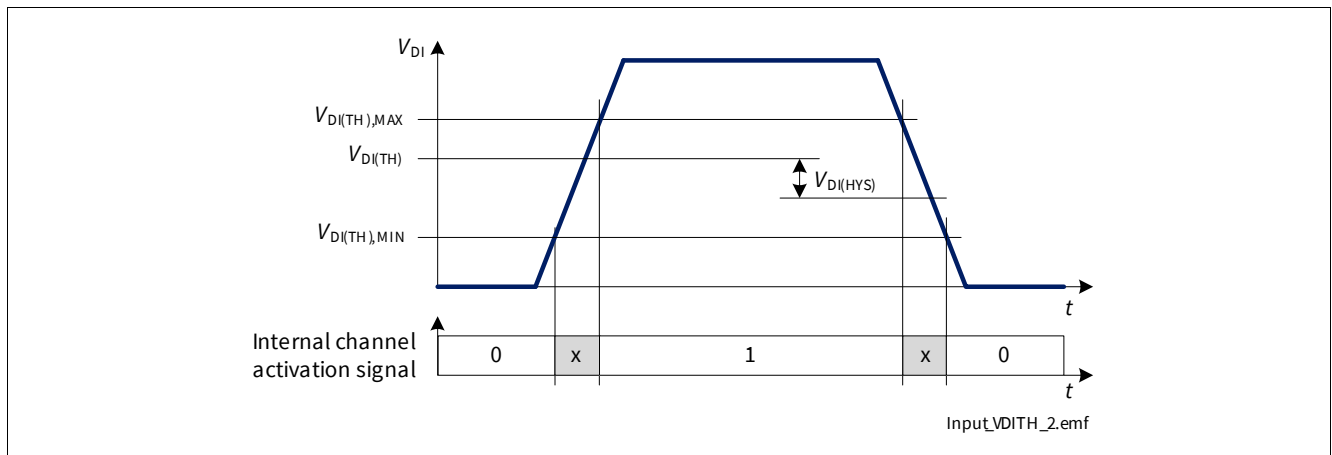
The input pins IN0 and IN1 activate the corresponding output channel, if the device is either in Sleep, Stand-by, Ready or in Limp Home mode. The input circuitry is compatible with 3.3V and 5V microcontroller. The electrical equivalent of the input circuitry is shown in **Figure 11**. In case the pin is not used, it must be connected with a 10 kΩ resistor either to GND pin or to module ground.



**Figure 11 Input circuitry**

The logic thresholds for “low” and “high” states are defined by parameters  $V_{DI(TH)}$  and  $V_{DI(HYS)}$ . The relationship between these two values is shown in **Figure 12**. The voltage  $V_{IN}$  needed to ensure a “high” state is always higher than the voltage needed to ensure a “low” state.

**Logic Pins**



**Figure 12 Input Threshold voltages and hysteresis**

There are two ways of using the input pins in combination with the register **OUT** by programming bit **HWCR.COL** in register **HWCR** (see **Table 30**).

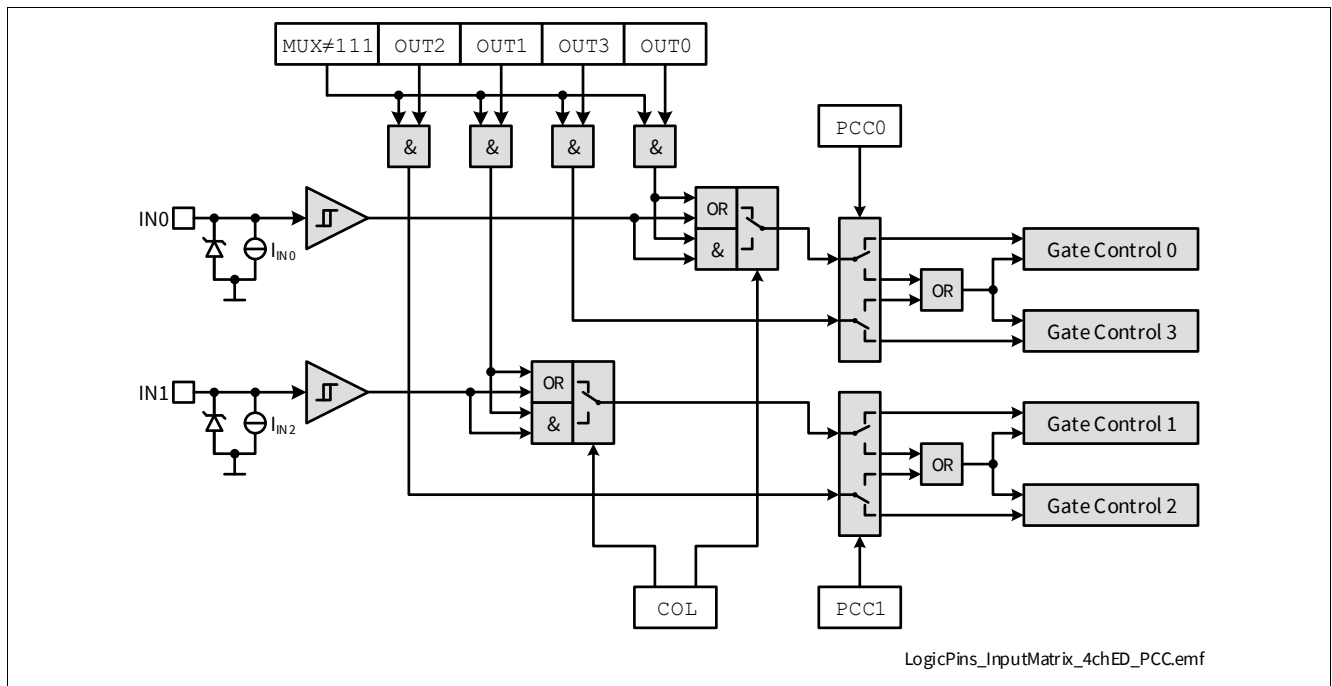
- **HWCR.COL** = 0<sub>B</sub>: A channel is switched ON either by the according **OUT.OUTn** bit or by the input pin.
- **HWCR.COL** = 1<sub>B</sub>: A channel is switched ON by the according **OUT.OUTn** bit only, when the input pin is “high”. In this configuration, a PWM signal can be applied to the input pin and the channel is activated by the SPI register **OUT** (see **Table 30**).

The default state (**HWCR.COL** = 0<sub>B</sub>) is the OR-combination of the input signal and the SPI-bit. In Limp Home mode (LHI pin set to “high”) the combinatorial logic is in default state to enable a channel activation via the input pins only. **Figure 13** shows the complete input switch matrix.

The logic level of the input pins can be monitored via the input status monitor. In case of a “high” level on an input pin, the corresponding **ICS.INSTn** bit is set and cleared on read.



**Logic Pins**



**Figure 13 Input Switch Matrix**

**5.2 Advanced Features Pins**

**5.2.1 SPI Pins**

The serial peripheral interface (SPI) is a full duplex synchronous serial slave interface, which uses four lines: SO, SI, SCLK and CSN. See [Chapter 10](#) for further information.

**5.2.2 Limp Home Input (LHI) Pin**

For activating the fail-safe state, the device features a Limp Home Input pin. When the pin is set to “high” for a time longer than  $t_{LHI(AC)}$ , the Limp Home mode will be activated. See [Chapter 6.1.7](#) and [Chapter 6.1.8](#) for further information.

**5.2.3 External Driver Pins**

One external smart power driver can be controlled by the BTS71040-4ESE via the external driver control block. There are two control outputs available: one output for controlling the input (EDO) and one output for diagnosis enable input (EDD). The current sense output of the external smart power driver can be connected to the IS pin. For details please refer to the Application Circuit Example in [Chapter 11](#). The external driver output signals can be used in Stand-by and Active mode.

The external driver can be activated via SPI bit [OUT . OUT4](#).

*Note: The usable duty cycle range and diagnostic timings depend on the external driver’s characteristics.*

**Logic Pins**

**5.3 Electrical Characteristics Logic Pins**

$V_{DD} = 3.0\text{ V to }5.5\text{ V}$ ,  $V_S = 6\text{ V to }18\text{ V}$ ,  $T_J = -40\text{ °C to }+150\text{ °C}$

Typical values:  $V_{DD} = 5.0\text{ V}$ ,  $V_S = 13.5\text{ V}$ ,  $T_J = 25\text{ °C}$

Digital Input (DI) pins = IN

**Table 7 Electrical Characteristics: Logic Pins - General**

Parameter	Symbol	Values			Unit	Note or Test Condition	Number
		Min.	Typ.	Max.			
Digital Input Voltage Threshold	$V_{DI(TH)}$	0.8	1.3	2	V	See <a href="#">Figure 11</a> and <a href="#">Figure 12</a>	P_5.4.0.1
Digital Input Clamping Voltage	$V_{DI(CLAMP1)}$	–	7	–	V	<sup>1)</sup> $I_{DI} = 1\text{ mA}$ See <a href="#">Figure 11</a> and <a href="#">Figure 12</a>	P_5.4.0.2
Digital Input Clamping Voltage	$V_{DI(CLAMP2)}$	6.5	7.5	8.5	V	$I_{DI} = 2\text{ mA}$ See <a href="#">Figure 11</a> and <a href="#">Figure 12</a>	P_5.4.0.3
Digital Input Hysteresis	$V_{DI(HYS)}$	–	0.25	–	V	<sup>1)</sup> See <a href="#">Figure 11</a> and <a href="#">Figure 12</a>	P_5.4.0.4
Digital Input Current (“high”)	$I_{DI(H)}$	2	10	25	μA	$V_{DI} = 2\text{ V}$ See <a href="#">Figure 11</a> and <a href="#">Figure 12</a>	P_5.4.0.5
Digital Input Current (“low”)	$I_{DI(L)}$	2	10	25	μA	$V_{DI} = 0.8\text{ V}$ See <a href="#">Figure 11</a> and <a href="#">Figure 12</a>	P_5.4.0.6

1) Not subject to production test - specified by design.

**5.4 Electrical Characteristics Logic Pins - Advanced Features**

**Table 8 Electrical Characteristics: Logic Pins - Advanced**

Parameter	Symbol	Values			Unit	Note or Test Condition	Number
		Min.	Typ.	Max.			
<b>SPI pins</b>							
Digital Input Voltage Threshold of Pin CSN	$V_{CSN(TH)}$	0.8	1.3	2	V	–	P_5.5.0.1
Digital Input Voltage Threshold of Pin SCLK	$V_{SCLK(TH)}$	0.8	1.3	2	V	<sup>1)</sup>	P_5.5.0.2
Digital Input Voltage Threshold of Pin SI	$V_{SI(TH)}$	0.8	1.3	2	V	–	P_5.5.0.3
Digital Input Clamping Voltage of Pin CSN	$V_{CSN(CLAMP1)}$	–	7	–	V	<sup>2)</sup> $I_{CSN} = 1\text{ mA}$	P_5.5.0.4
Digital Input Clamping Voltage of Pin CSN	$V_{CSN(CLAMP2)}$	6.5	7.5	8.5	V	$I_{CSN} = 2\text{ mA}$	P_5.5.0.5

**Logic Pins**
**Table 8 Electrical Characteristics: Logic Pins - Advanced** (continued)

Parameter	Symbol	Values			Unit	Note or Test Condition	Number
		Min.	Typ.	Max.			
Digital Input Clamping Voltage of Pin SCLK	$V_{SCLK(CLAMP1)}$	–	7	–	V	<sup>2)</sup> $I_{SCLK} = 1 \text{ mA}$	P_5.5.0.6
Digital Input Clamping Voltage of Pin SCLK	$V_{SCLK(CLAMP2)}$	6.5	7.5	8.5	V	$I_{SCLK} = 2 \text{ mA}$	P_5.5.0.7
Digital Input Clamping Voltage of Pin SI	$V_{SI(CLAMP1)}$	–	7	–	V	<sup>2)</sup> $I_{SI} = 1 \text{ mA}$	P_5.5.0.8
Digital Input Clamping Voltage of Pin SI	$V_{SI(CLAMP2)}$	6.5	7.5	8.5	V	$I_{SI} = 2 \text{ mA}$	P_5.5.0.9
Digital Input Hysteresis of Pin CSN	$V_{CSN(HYS)}$	–	0.25	–	V	<sup>2)</sup> See <a href="#">Figure 12</a>	P_5.5.0.11
Digital Input Hysteresis of Pin SCLK	$V_{SCLK(HYS)}$	–	0.25	–	V	<sup>2)</sup> See <a href="#">Figure 12</a>	P_5.5.0.13
Digital Input Hysteresis of Pin SI	$V_{SI(HYS)}$	–	0.25	–	V	<sup>2)</sup> See <a href="#">Figure 12</a>	P_5.5.0.15
Digital Input Current (“low”) of Pin CSN	$-I_{CSN(L)}$	2	10	25	μA	$V_{CSN} = 0.5 \text{ V}$	P_5.5.0.10
Digital Input Current (“high”) of Pin CSN	$-I_{CSN(H)}$	2	10	25	μA	$V_{CSN} = 2.6 \text{ V}$	P_5.5.0.12
Digital Input Current (“low”) of Pin SCLK	$I_{SCLK(L)}$	2	10	25	μA	$V_{SCLK} = 0.5 \text{ V}$	P_5.5.0.14
Digital Input Current (“high”) of Pin SCLK	$I_{SCLK(H)}$	2	10	25	μA	$V_{SCLK} = 2.6 \text{ V}$	P_5.5.0.16
Digital Input Current (“low”) of Pin SI	$I_{SI(L)}$	2	10	25	μA	$V_{SI} = 0.5 \text{ V}$	P_5.5.0.18
Digital Input Current (“high”) of Pin SI	$I_{SI(H)}$	2	10	25	μA	$V_{SI} = 2.6 \text{ V}$	P_5.5.0.20
Digital Output Voltage (“low”) of Pin SO	$V_{SO(L)}$	0	–	0.5	V	$I_{SO} = -0.5 \text{ mA}$	P_5.5.0.22
Digital Output Voltage (“high”) of Pin SO	$V_{SO(H)}$	$V_{DD} - 0.5 \text{ V}$	–	$V_{DD}$	V	$I_{SO} = 0.5 \text{ mA}$	P_5.5.0.23
Output Tristate Leakage Current of Pin SO	$I_{SO(OFF)}$	-1	–	1	μA	$V_{CSN} = V_{DD}$ $V_{SO} = 0 \text{ V}$ or $V_{CSN} = V_{DD}$ $V_{SO} = V_{DD}$	P_5.5.0.24
<b>LHI pin</b>							
Digital Input Voltage Threshold of Pin LHI	$V_{LHI(TH)}$	1.4	1.9	2.6	V	–	P_5.5.0.25
Digital Input Clamping Voltage of Pin LHI	$V_{LHI(CLAMP1)}$	–	7	–	V	<sup>2)</sup> $I_{LHI} = 1 \text{ mA}$	P_5.5.0.27
Digital Input Clamping Voltage of Pin LHI	$V_{LHI(CLAMP2)}$	6.5	7.5	8.5	V	$I_{LHI} = 2 \text{ mA}$	P_5.5.0.28

**Logic Pins**

**Table 8 Electrical Characteristics: Logic Pins - Advanced** (continued)

Parameter	Symbol	Values			Unit	Note or Test Condition	Number
		Min.	Typ.	Max.			
Digital Input Hysteresis of Pin LHI	$V_{LHI(HYS)}$	–	0.25	–	V	2)	P_5.5.0.29
Digital Input Current (“high”) of Pin LHI	$I_{LHI(H)}$	10	32	65	μA	$V_{LHI} = 5\text{ V}$ $V_{DD} = 0\text{ V}$	P_5.5.0.30
Digital Input Current (“low”) of Pin LHI	$I_{LHI(L)}$	10	24	45	μA	$V_{LHI} = 0.8\text{ V}$ $V_{DD} = 0\text{ V}$	P_5.5.0.32

**External Driver Pins**

Digital Output Voltage (“low”) of Pin EDO	$V_{EDO(L)}$	0	–	0.5	V	$I_{EDO} = -0.2\text{ mA}$	P_5.5.0.33
Digital Output Voltage (“high”) of Pin EDO	$V_{EDO(H)}$	$V_{DD} - 0.5\text{ V}$	–	$V_{DD}$	V	$I_{EDO} = 0.2\text{ mA}$	P_5.5.0.34
Digital Output Voltage (“low”) of Pin EDD	$V_{EDD(L)}$	0	–	0.5	V	$I_{EDD} = -0.2\text{ mA}$	P_5.5.0.36
Digital Output Voltage (“high”) of Pin EDD	$V_{EDD(H)}$	$V_{DD} - 0.5\text{ V}$	–	$V_{DD}$	V	$I_{EDD} = 0.2\text{ mA}$	P_5.5.0.37

1) Functional test only.

2) Not subject to production test - specified by design.

**Power Supply**

**6 Power Supply**

The BTS71040-4ESE is supplied by two supply voltages:

- Power Supply Voltage ( $V_S$ )
- Digital Supply Voltage ( $V_{DD}$ )

The  $V_S$  supply line is connected to a battery feed and used for the driving circuitry of the power stages, while  $V_{DD}$  is used for the SPI logic and for driving SO pin.  $V_S$  and  $V_{DD}$  supply voltages have an undervoltage detection circuit, which prevents the activation of the associated function in case the measured voltage is below the undervoltage threshold. More in detail:

- An undervoltage on  $V_{DD}$  supply prevents SPI communication. SPI registers are reset to their default values
- An undervoltage on  $V_S$  supply switches OFF all channels, even in Limp Home mode. The channels are enabled again as soon as  $V_S \geq V_{S(OP)}$

The voltage at pin  $V_S$  is also monitored. In case of a negative voltage transient on  $V_S$  resulting in  $V_S < V_{S(TP)}$  when the device is out of Sleep mode, any SPI command sent by the microcontroller is not accepted (see [Chapter 6.2](#) and [Chapter 10.5](#) for further information). An overview of channel behavior according to different  $V_S$  and  $V_{DD}$  supply voltages is shown in [Table 9](#).

**Table 9 Device capability as function of  $V_S$  and  $V_{DD}$  <sup>1)</sup>**

	$V_{DD} \leq V_{DD(PO)}$ ( $V_{DD(PO)}$ see P_6.4.1.1)	$V_{DD} > V_{DD(PO)}$
$V_S \leq V_{S(TP)}$ ( $V_{S(TP)}$ see P_6.4.0.5)	Channels are OFF	Channels are OFF
	SPI registers reset	SPI registers protected
	SPI communication not available ( $f_{SCLK} = 0$ MHz)	SPI communication available <sup>2)</sup> ( $f_{SCLK} = 5$ MHz)
	Limp Home mode not available	Limp Home mode not available
$V_{S(TP)} < V_S \leq V_{S(UV)}$ ( $V_{S(UV)}$ see P_6.4.0.1)	Channels are OFF	Channels are OFF
	SPI registers reset	SPI registers available
	SPI communication not available ( $f_{SCLK} = 0$ MHz)	SPI communication available ( $f_{SCLK} = 5$ MHz)
	Limp Home mode available (channels are OFF)	Limp Home mode available (channels are OFF)
$V_S > V_{S(UV)}$ <sup>3)</sup>	Channels cannot be controlled <sup>3)</sup> by SPI	Channels can be controlled by SPI
	SPI registers reset	SPI registers available
	SPI communication not available ( $f_{SCLK} = 0$ MHz)	SPI communication available ( $f_{SCLK} = 5$ MHz)
	Limp Home mode available	Limp Home mode available

1) Valid after a successful supply voltage ramp-up.

2) Write commands are ignored. Furthermore the device responds with **STDDIAG** only.

3) The undervoltage condition on VS supply must be considered. See [Chapter 6.2](#).

## Power Supply

### 6.1 Operation Modes

BTS71040-4ESE has the following operation modes:

- Sleep mode
- Active mode
- Stand-by mode
- Ready mode
- Limp Home mode
- Limp Home Active mode

The transition between operation modes is determined according to these variables:

- Digital supply level ( $V_{DD}$ )
- Logic level at INn pins
- Logic level at LHI pin
- Current sense multiplexer state (**DCR.MUX**)
- Output register state (**OUT.OUTn**)
- Configuration registers state

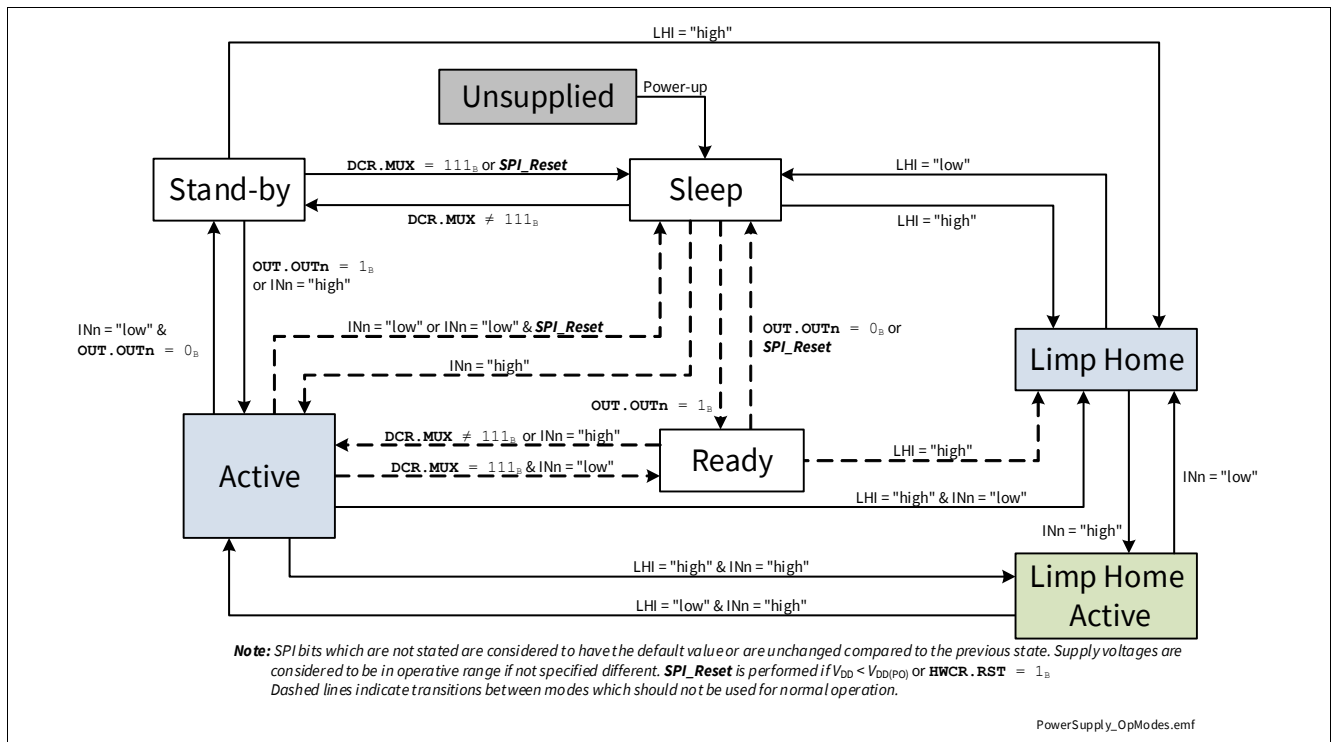
The state diagram including the possible transitions is shown in **Figure 14**. The behavior of BTS71040-4ESE as well as some parameters may change in dependence from the operation mode of the device. Furthermore, due to the undervoltage detection circuitry which monitors  $V_S$  supply voltage, some changes within the same operation mode can be seen accordingly.

There are five parameters describing each operation mode of BTS71040-4ESE:

- Status of the output channels
- Status of SPI registers
- Status of SPI communication
- Current consumption at VS pin (measured by  $I_{VS}$  in Sleep mode,  $I_{GND}$  in all other operative modes)
- Current consumption at VDD pin ( $I_{VDD}$ )

**Table 10** shows the correlation between operation modes,  $V_S$  and  $V_{DD}$  supply voltages, and the state of the most important functions (channel status, SPI communication and SPI registers).

**Power Supply**



**Figure 14 Operation Mode state diagram**

**Table 10 Device function in relation to operation modes,  $V_{DD}$  and  $V_S$  voltages**

Operative Mode	Function	$V_S \leq V_{S(TP)}$	$V_{S(TP)} \leq V_S \leq V_{S(UV)}$	$V_S > V_{S(UV)}$
Sleep	Channels	OFF	OFF	OFF
	SPI registers	available <sup>1)</sup>	available <sup>1)</sup>	available <sup>1)</sup>
	SPI comm.	available <sup>1)</sup>	available <sup>1)</sup>	available <sup>1)</sup>
Stand-by	Channels	OFF	OFF	OFF
	SPI registers	protected <sup>1)</sup>	available <sup>1)</sup>	available <sup>1)</sup>
	SPI comm.	all commands rejected <sup>1)</sup>	available <sup>1)</sup>	available <sup>1)</sup>
Ready	Channels	OFF	OFF	OFF
	SPI registers	protected <sup>1)</sup>	available <sup>1)</sup>	available <sup>1)</sup>
	SPI comm.	all commands rejected <sup>1)</sup>	available <sup>1)</sup>	available <sup>1)</sup>
Active	Channels	OFF	OFF	follow SPI and/or Input pins
	SPI registers	protected <sup>1)</sup>	available <sup>1)</sup>	available <sup>1)</sup>
	SPI comm.	all commands rejected <sup>1)</sup>	available <sup>1)</sup>	available <sup>1)</sup>
Limp Home / Limp Home Active	Channels	OFF	OFF	follow Input pins
	SPI registers	protected <sup>1)</sup>	reset (Diagnosis available) <sup>1)</sup>	reset (Diagnosis available) <sup>1)</sup>
	SPI comm.	all commands rejected <sup>1)2)</sup>	read-only <sup>1)</sup>	read-only <sup>1)</sup>

1) In case  $V_{DD} > V_{DD(PO)}$  otherwise not available or in reset.

2) In case all input pins are set to "low", SPI communication is in read-only mode.

## Power Supply

### 6.1.1 Unsupplied

In this state, the device is either unsupplied (no voltage applied to VS pin and VDD pin) or the supply voltages are both below the corresponding undervoltage threshold.

### 6.1.2 Power-up

The Power-up condition is entered when one of the supply voltages ( $V_S$  or  $V_{DD}$ ) is applied to the device. Both supplies are rising until they are above the undervoltage thresholds  $V_{S(OP)}$  and  $V_{DD(PO)}$  therefore the internal Power-On signals are set. The SPI interface can be accessed after wake up time  $t_{WU(PO)}$ .

### 6.1.3 Sleep mode

The device is in Sleep mode when all Digital Input pins (INn, LHI) are set to “low” and **DCR.MUX** is still set to  $111_B$ . When BTS71040-4ESE is in Sleep mode, all outputs are OFF. The SPI registers can be programmed if  $V_{DD} > V_{DD(PO)}$ . The current consumption is minimum (see parameter  $I_{VS(SLEEP)}$ ). No Overtemperature or Overload protection mechanism is active when the device is in Sleep mode. The circuitry that monitors  $V_S$  versus  $V_{S(UV)}$  and  $V_S$  versus  $V_{S(TP)}$  is disabled. This allows the programming of the registers even if  $V_S < V_{S(TP)}$ .

### 6.1.4 Stand-by mode

The device is in Stand-by mode when **DCR.MUX**  $\neq 111_B$  and no command to switch ON a channel was received (either via SPI or via Input pins). All channels are OFF but the internal supply circuitry is working and therefore the device current consumption is increased. A command to switch ON one or more outputs is accepted and executed, bringing the device into Active mode. SPI communication is possible.

### 6.1.5 Ready mode

In Ready mode, one or more outputs received a command to switch ON (either via SPI or via Input pins if **HWCR.COL** =  $1_B$ ). Nevertheless, all outputs are OFF because of **DCR.MUX** bits still set to  $111_B$ . It is necessary to change the value of those bits to bring the device into Active mode and switch ON the channels.

*Note:* Since **OUT** register is blanked with **DCR.MUX** =  $111_B$  it is not possible to enter Active mode when **HWCR.COL** bit is set to  $1_B$ .

### 6.1.6 Active mode

Active mode is the normal operation mode of BTS71040-4ESE when no Limp Home condition is set and one or more outputs are switched ON. Device current consumption is specified by parameter  $I_{GND(ACTIVE)}$ . An undervoltage condition on  $V_{DD}$  supply voltage brings the device into Sleep mode in case all Input pins are set to “low”.

### 6.1.7 Limp Home mode

The device enters Limp Home mode when LHI pin is set to “high” for  $t > t_{LHI(AC)}$ . SPI registers are reset to the default values when Limp Home mode is entered. The corresponding bit in the standard diagnosis (**STDDIAG.LHI**) will be set to  $1_B$  once the LHI pin is set to “high” and latched until next **STDDIAG** transmission. See **Figure 15** for further information. SPI registers are available for read access. ERRDIAG, STDDIAG, WRNDIAG and ICS can be used for diagnosis in Limp Home.

When the device is in transient protection ( $V_S \leq V_{S(TP)}$ ) and the LHI pin is set to “high”, the **STDDIAG.LHI** bit will be set but the device will not change its state to Limp Home mode. Furthermore **STDDIAG.VSMON** and **STDDIAG.TER** bits will be set to report the battery transient protection.



Power Supply

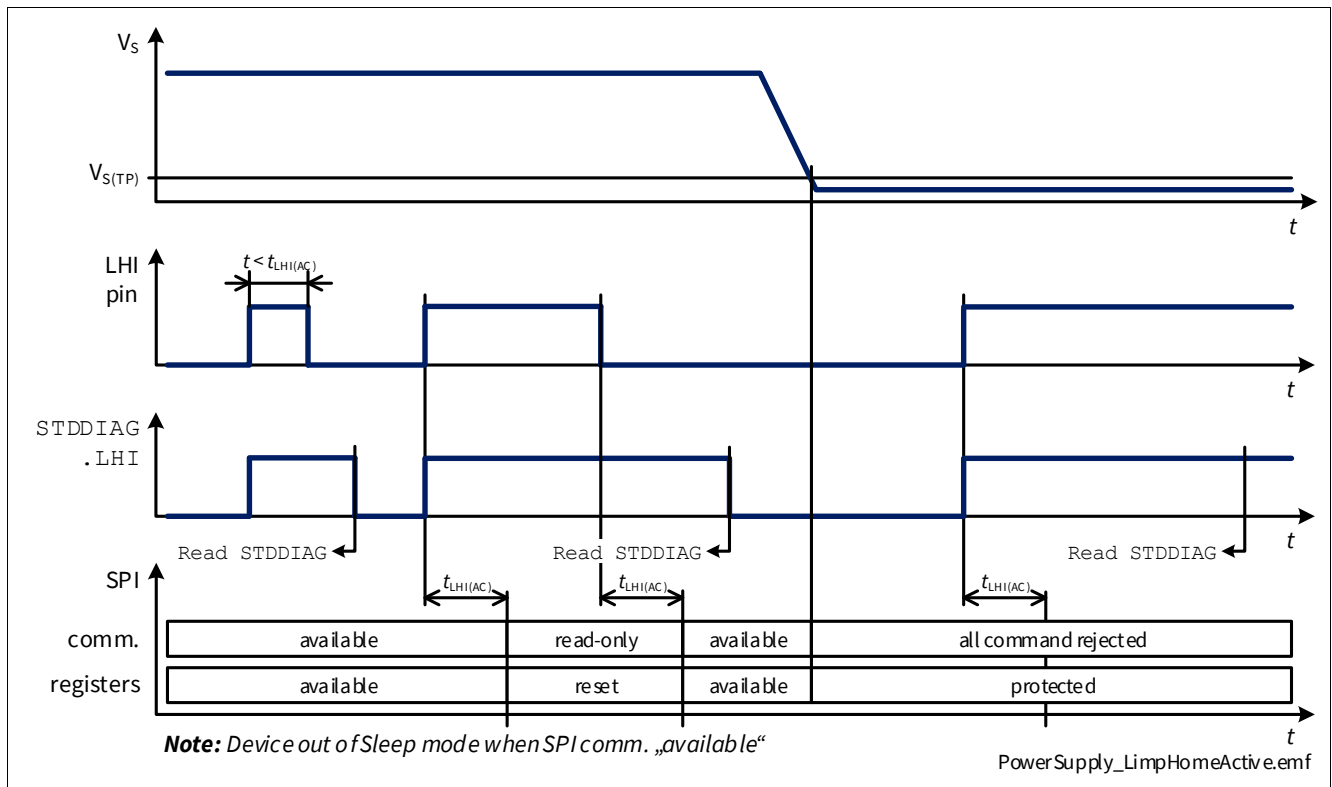


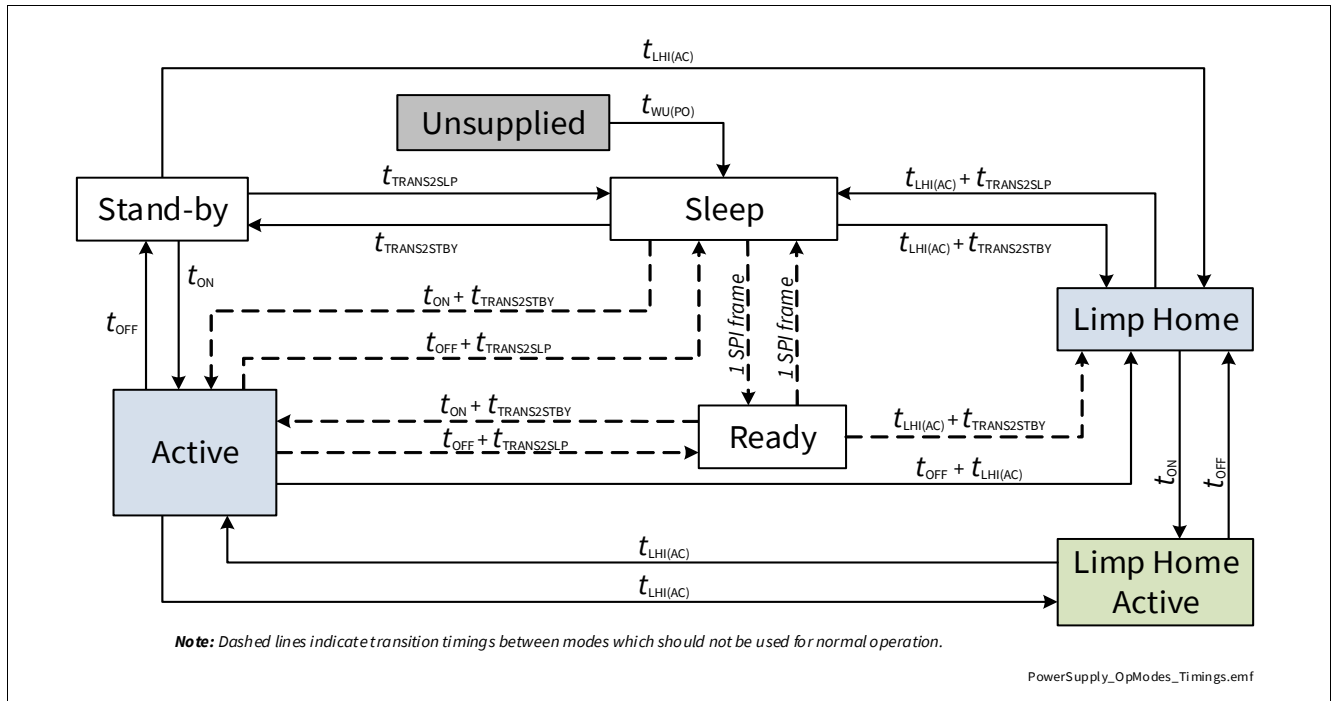
Figure 15 Limp Home Activation as function of V<sub>s</sub>

### 6.1.8 Limp Home Active mode

Limp Home Active mode is entered when the device is in Limp Home mode and one of the IN pins is set to “high”. Overload, Overtemperature and Overvoltage protections are active. Since SPI registers cannot be written current sensing is not available.

### 6.1.9 Definition of Operation modes transition times

The channel turn-ON time is as defined by parameter  $t_{ON}$  when BTS71040-4ESE is in Active mode or in Limp Home mode. In all other cases, it is necessary to add the transition time required to reach one of the two aforementioned operation modes (as shown in **Figure 16**).



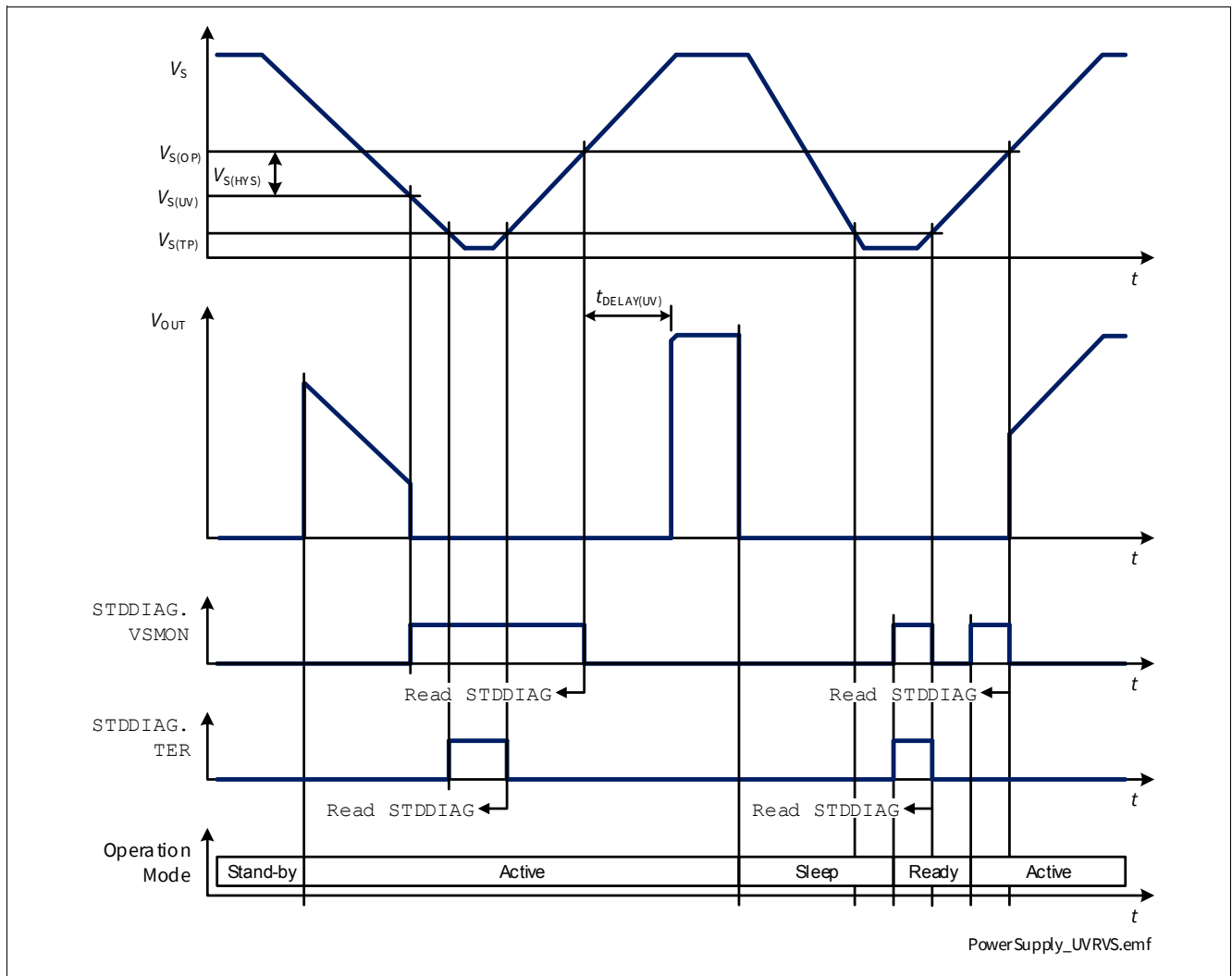
**Figure 16 Transition Time diagram**

### 6.2 Undervoltage on $V_S$

Between  $V_{S(OP)}$  and  $V_{S(UV)}$  the undervoltage mechanism is triggered. If the device is operative (in Active or Limp Home Active mode) and the supply voltage drops below the undervoltage threshold  $V_{S(UV)}$ , the internal logic switches OFF the output channels. When the device is either in Stand-by, Active or Limp Home mode the bit **STDDIAG.VSMON** is set and latched until readout. When the state is changed from Sleep to any other state, a delay of  $t \geq t_{TRANS2STBY}$  has to be considered until **STDDIAG.VSMON** is valid.

As soon as the supply voltage  $V_S$  is above the operative threshold  $V_{S(OP)}$ , the channels having the corresponding input pin set to “high” or the bit in the **OUT** register set to  $1_B$  are switched ON again. The restart is delayed with a time  $t_{DELAY(UV)}$  which protects the device in case the undervoltage condition is caused by a short circuit event (according to AEC-Q100-012), as shown in **Figure 17**.

**Power Supply**



**Figure 17 V<sub>S</sub> undervoltage behavior**

**6.3 Reset Condition**

One of the following conditions reset the SPI registers to their default value:

- V<sub>DD</sub> is not present or below the undervoltage threshold V<sub>DD(P0)</sub>
  - SPI registers will be reset to their default values (in the first communication after reset the **STDDIAG.TER** will be set to 1<sub>B</sub>).
  - Restart counters will not be reset if V<sub>S</sub> is available or LHI is "high".
- LHI pin is set to "high" for t > t<sub>LHI(AC)</sub> and V<sub>S</sub> > V<sub>S(TP)</sub>
  - Configuration registers will be reset to their default values. **ERRDIAG** and **WRNDIAG** will be reset.
  - Restart counters will be reset.
- Reset command (**HWCR.RST** = 1<sub>B</sub>) is executed and V<sub>S</sub> > V<sub>S(TP)</sub>
  - Configuration registers will be reset to their default values. **ERRDIAG**, **WRNDIAG** and **STDDIAG** will not be reset.
  - Restart counters will not be reset.

In case all Input pins are set to "low" after any reset condition, all channels are switched OFF.

**Power Supply**

**6.4 Electrical Characteristics Power Supply**

$V_{DD} = 3.0\text{ V to }5.5\text{ V}$ ,  $V_S = 6\text{ V to }18\text{ V}$ ,  $T_J = -40\text{ °C to }+150\text{ °C}$

Typical values:  $V_{DD} = 5.0\text{ V}$ ,  $V_S = 13.5\text{ V}$ ,  $T_J = 25\text{ °C}$

Typical resistive loads connected to the outputs for testing (unless otherwise specified):

27W output:  $R_L = 4.8\ \Omega$

**Table 11 Electrical Characteristics: Power Supply - General**

Parameter	Symbol	Values			Unit	Note or Test Condition	Number
		Min.	Typ.	Max.			
<b>VS pin</b>							
Power Supply Undervoltage Shutdown	$V_{S(UV)}$	1.8	2.3	3.1	V	$V_S$ decreasing IN = "high" or <b>OUT . OUTn</b> = 1 <sub>B</sub> From $V_{DS} \leq 0.5\text{ V}$ to $V_{DS} = V_S$ See <b>Figure 17</b>	P_6.4.0.1
Power Supply Minimum Operating Voltage	$V_{S(OP)}$	2.0	3.0	4.1	V	$V_S$ increasing IN = "high" or <b>OUT . OUTn</b> = 1 <sub>B</sub> From $V_{DS} = V_S$ to $V_{DS} \leq 0.5\text{ V}$ See <b>Figure 17</b>	P_6.4.0.3
Power Supply Voltage Threshold for Battery Transients Protection	$V_{S(TP)}$	0.6	1.0	1.8	V	$V_S$ decreasing <b>STDDIAG . VSMON</b> = 1 <sub>B</sub> <b>STDDIAG . TER</b> = 1 <sub>B</sub> <b>DCR . MUX</b> ≠ 111 <sub>B</sub> See <b>Figure 17</b>	P_6.4.0.5
Power Supply Undervoltage Shutdown Hysteresis	$V_{S(HYS)}$	–	0.7	–	V	<sup>1)</sup> $V_{S(OP)} - V_{S(UV)}$ See <b>Figure 17</b>	P_6.4.0.6
Power Supply Undervoltage Recovery Time	$t_{DELAY(UV)}$	2.5	4	5.5	ms	<sup>1)</sup> See <b>Figure 17</b>	P_6.4.0.10
Breakdown Voltage between GND and VS Pins in Reverse Battery	$-V_{S(REV)}$	16	–	30	V	<sup>1)</sup> $I_{GND(REV)} = 14\text{ mA}$ $T_J = 150\text{ °C}$	P_6.4.0.9

1) Not subject to production test - specified by design.

**Power Supply**

**6.4.1 Electrical Characteristics Power Supply - SPOC™**

**Table 12 Electrical Characteristics: Power Supply - SPOC™**

Parameter	Symbol	Values			Unit	Note or Test Condition	Number
		Min.	Typ.	Max.			
<b>VDD pin</b>							
Digital Supply Operating Voltage	$V_{DD(OP)}$	2.45	4.3	5.5	V	<sup>1)</sup> $f_{SCLK} = 5 \text{ MHz}$	P_6.4.1.1
Digital Supply Power-On Reset Threshold Voltage	$V_{DD(PO)}$	1.4	1.9	2.3	V	<sup>1)</sup> $V_{DD}$ increasing	P_6.4.1.9
Digital Supply Undervoltage Shutdown	$V_{DD(UV)}$	1.3	1.8	2.2	V	$V_{DD}$ decreasing <b>OUT . OUTn</b> = 1 <sub>B</sub> From $V_{DS} \leq 0.5 \text{ V}$ to $V_{DS} = V_S$	P_6.4.1.2
Digital Supply Undervoltage Shutdown Hysteresis	$V_{DD(HYS)}$	–	0.1	–	V	<sup>1)</sup>	P_6.4.1.3
Digital Supply Clamping Voltage	$V_{DD(CLAMP1)}$	–	6.5	–	V	<sup>1)</sup> $I_{DD} = 1 \text{ mA}$	P_6.4.1.11
Digital Supply Clamping Voltage	$V_{DD(CLAMP2)}$	6	7	8	V	$I_{DD} = 20 \text{ mA}$	P_6.4.1.12
Power-On Wake Up Time	$t_{WU(PO)}$	–	10	30	μs	<sup>1)</sup>	P_6.4.1.13
Transition Time to Stand-by Mode	$t_{TRANS2STBY}$	5	10	30	μs	<sup>1)</sup>	P_6.4.1.4
Transition Time to Sleep Mode	$t_{TRANS2SLP}$	1	5	60	μs	<sup>1)2)</sup> <b>SRC . SRCn</b> = 0 <sub>B</sub>	P_6.4.1.5
Transition Time to Sleep Mode with adjusted Slew Rate	$t_{TRANS2SLP}$	1	5	170	μs	<sup>1)2)</sup> <b>SRC . SRCn</b> = 1 <sub>B</sub>	P_6.4.1.7
Limp Home Acknowledgement Time	$t_{LHI(AC)}$	10	20	40	μs	<sup>1)</sup>	P_6.4.1.6

1) Not subject to production test - specified by design.

2) If output channel enters inductive clamping, clamping time has to be added.

**6.5 Electrical Characteristics Power Supply - Product Specific**

$V_{DD} = 3.0 \text{ V to } 5.5 \text{ V}$ ,  $V_S = 6 \text{ V to } 18 \text{ V}$ ,  $T_J = -40 \text{ °C to } +150 \text{ °C}$

Typical values:  $V_{DD} = 5.0 \text{ V}$ ,  $V_S = 13.5 \text{ V}$ ,  $T_J = 25 \text{ °C}$

Typical resistive loads connected to the outputs for testing (unless otherwise specified):

27W output:  $R_L = 4.8 \text{ } \Omega$

**Power Supply**

**6.5.1 BTS71040-4ESE**

**Table 13 Electrical Characteristics: Power Supply BTS71040-4ESE**

Parameter	Symbol	Values			Unit	Note or Test Condition	Number
		Min.	Typ.	Max.			
Digital Supply Current Consumption in Normal Operation	$I_{DD}$	–	80	200	μA	$f_{SCLK} = 0$ MHz $V_S > V_{S(UV)}$ $V_{CSN} = V_{DD} = 5$ V <b>DCR . MUX</b> ≠ 111 <sub>B</sub>	P_6.5.32.1
Digital Supply Current Consumption in Sleep Mode	$I_{DD(SLEEP)}$	–	17	50	μA	$f_{SCLK} = 0$ MHz $V_S > V_{S(UV)}$ $V_{CSN} = V_{DD} = 5$ V <b>DCR . MUX</b> = 111 <sub>B</sub>	P_6.5.32.3
Digital Supply Current Consumption in Sleep Mode	$I_{DD(SLEEP)}$	–	17	35	μA	$f_{SCLK} = 0$ MHz $V_S > V_{S(UV)}$ $V_{CSN} = V_{DD} = 5$ V <b>DCR . MUX</b> = 111 <sub>B</sub> $T_J \leq 85$ °C	P_6.5.32.12
Power Supply Current Consumption in Sleep Mode with Loads at $T_J \leq 85$ °C	$I_{VS(SLEEP)_85}$	–	0.05	0.4	μA	<sup>1)2)</sup> $V_S = 18$ V $V_{OUT} = 0$ V INx = “low” $T_J \leq 85$ °C	P_6.5.32.4
Power Supply Current Consumption in Sleep Mode with Loads at $T_J = 150$ °C	$I_{VS(SLEEP)_150}$	–	2	100	μA	$V_S = 18$ V $V_{OUT} = 0$ V INx = “low” $T_J = 150$ °C	P_6.5.32.5
Operating Current in Active Mode (all Channels ON)	$I_{GND(ACTIVE)}$	–	5	7	mA	$V_S = 18$ V $V_{DD} = 5$ V INx = “high” or <b>OUT . OUTn</b> = 1 <sub>B</sub>	P_6.5.32.6
Operating Current in Ready Mode	$I_{GND(READY)}$	–	80	200	μA	$V_S = 18$ V $V_{CSN} = V_{DD} = 5$ V $f_{SCLK} = 0$ MHz <b>DCR . MUX</b> = 111 <sub>B</sub> <b>OUT . OUTn</b> = 1 <sub>B</sub>	P_6.5.32.8
Operating Current in Stand-by Mode	$I_{GND(STBY)}$	–	1.25	2	mA	$V_S = 18$ V $V_{DD} = 5$ V <b>DCR . MUX</b> ≠ 111 <sub>B</sub>	P_6.5.32.9

1) Not subject to production test - specified by design.

2) If  $V_{DD} < V_{DD(PO)}$ , LHI = “low” and any restart counter > 0,  $I_{GND(STBY)}$  has to be considered.

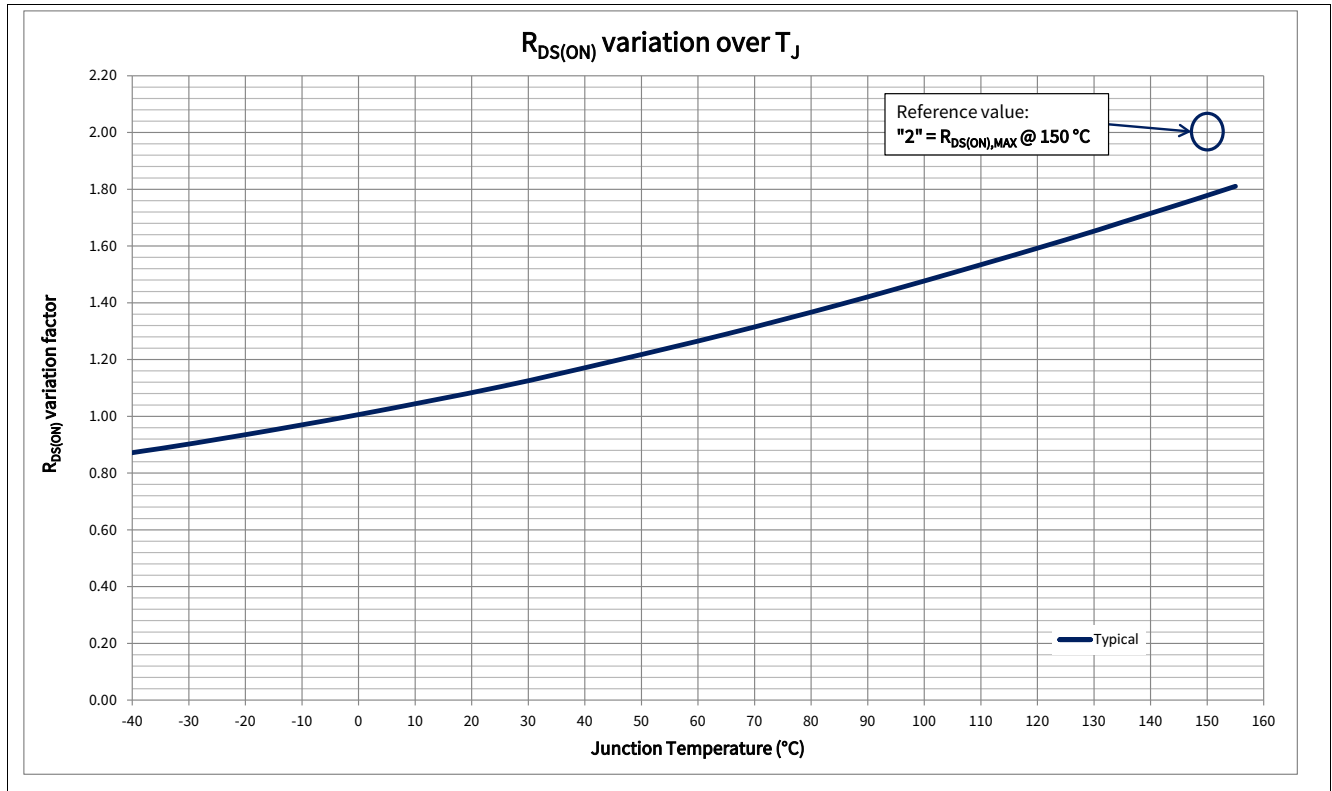
**Power Stages**

**7 Power Stages**

The high-side power stages are built using a N-channel vertical Power MOSFET with charge pump.

**7.1 Output ON-State Resistance**

The ON-state resistance  $R_{DS(ON)}$  depends mainly on junction temperature  $T_J$ . **Figure 18** shows the variation of  $R_{DS(ON)}$  across the whole  $T_J$  range. The value “2” on the y-axis corresponds to the maximum  $R_{DS(ON)}$  measured at  $T_J = 150\text{ °C}$ .



**Figure 18**  $R_{DS(ON)}$  variation factor

The behavior in Reverse Polarity is described in **Chapter 8.4.1**.

**7.2 Switching loads**

**7.2.1 Switching Resistive Loads**

When switching resistive loads, the switching times and slew rates shown in **Figure 19** can be considered. The switch energy values  $E_{ON}$  and  $E_{OFF}$  are proportional to load resistance and times  $t_{ON}$  and  $t_{OFF}$ .

Power Stages

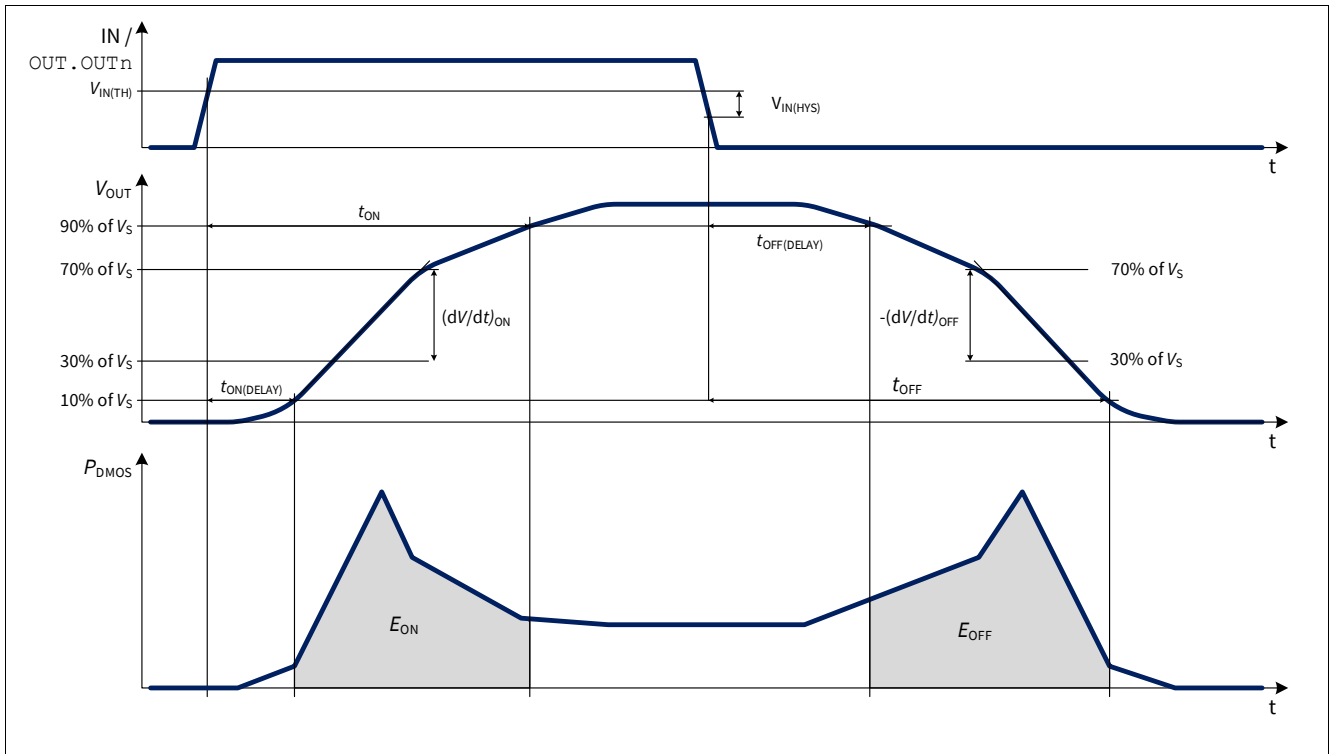


Figure 19 Switching a Resistive Load

7.2.2 Switching Inductive Loads

When switching OFF inductive loads with high-side switches, the voltage  $V_{OUT}$  drops below ground potential, because the inductance intends to continue driving the current. To prevent the destruction of the device due to overvoltage, a voltage clamp mechanism is implemented. The clamping structure limits the negative output voltage so that  $V_{DS} = V_{DS(CLAMP)}$ . Figure 20 shows a concept drawing of the implementation. The clamping structure protects the device in all operation modes listed in Chapter 6.1.

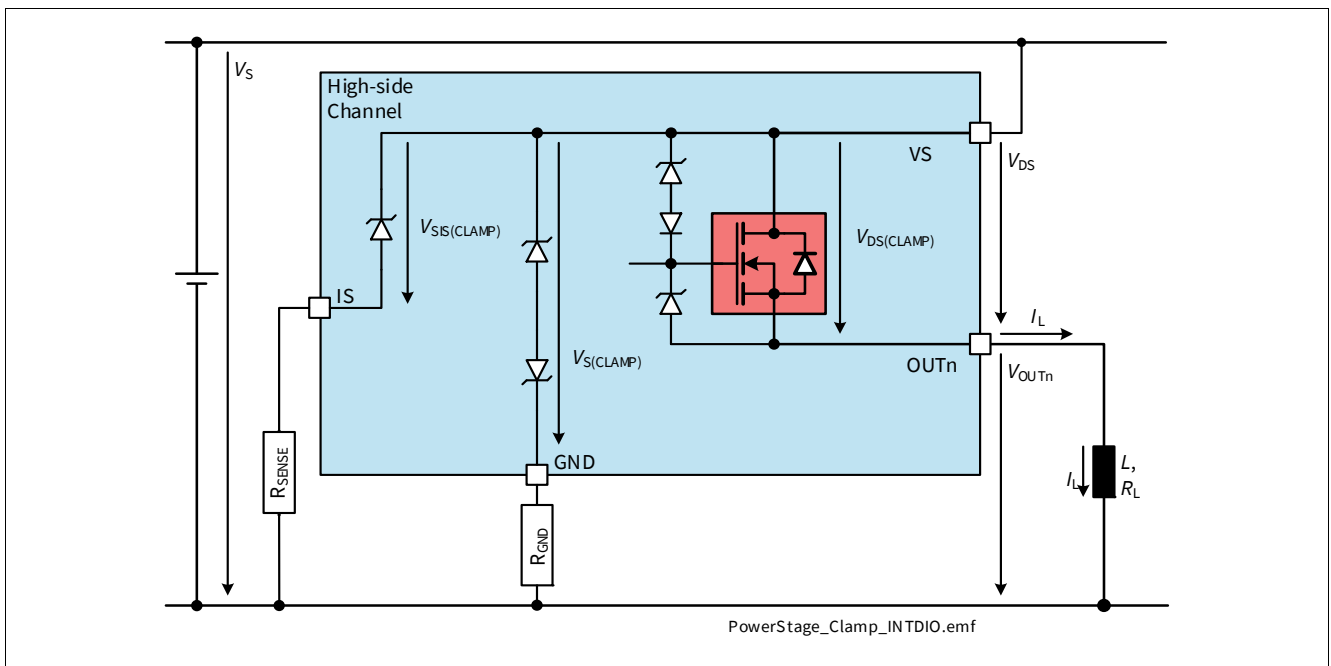


Figure 20 Output Clamp concept



**Power Stages**

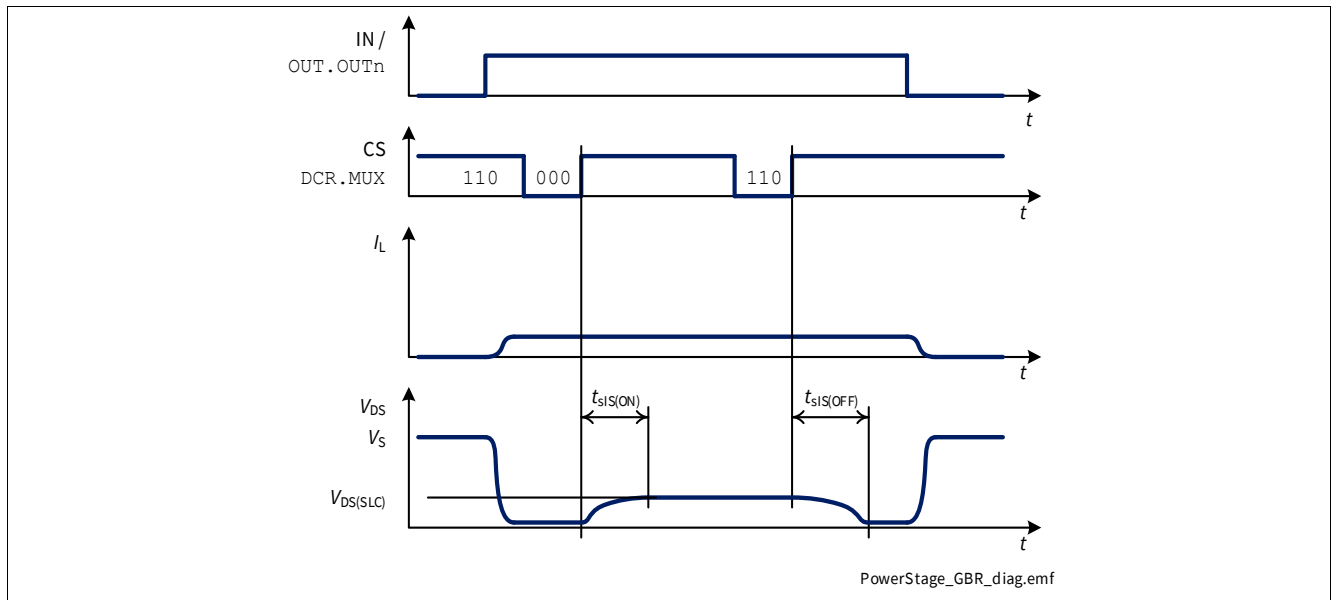
During demagnetization of inductive loads, energy has to be dissipated in BTS71040-4ESE. The energy can be calculated with **Equation (7.1)**:

$$E = V_{DS(CLAMP)} \cdot \left[ \frac{V_S - V_{DS(CLAMP)}}{R_L} \cdot \ln\left(1 - \frac{R_L \cdot I_L}{V_S - V_{DS(CLAMP)}}\right) + I_L \right] \cdot \frac{L}{R_L} \quad (7.1)$$

The maximum energy, therefore the maximum inductance for a given current, is limited by the thermal design of the component.

**7.2.3 Output Voltage Limitation**

To increase the current sense accuracy,  $V_{DS}$  voltage is monitored. When the output current  $I_L$  decreases while the channel is diagnosed (channel selected via **DCR.MUX** - see **Figure 21**) bringing  $V_{DS}$  equal or lower than  $V_{DS(SLC)}$ , the output DMOS gate is partially discharged. This increases the output resistance so that  $V_{DS} = V_{DS(SLC)}$  even for very small output currents. The  $V_{DS}$  increase allows the current sensing circuitry to work more efficiently, providing better  $k_{ILIS}$  accuracy for output current in the low range.



**Figure 21 Output Voltage Limitation activation during diagnosis**

**7.2.4 Switching Capacitive Loads**

When switching ON a capacitive load, the capacitance is causing a high inrush current. The current is depending on the value of the capacitance, the ESR, the impedance of the system and the slew rate of the driver. To improve the load driving capability, BTS71040-4ESE offers a slew rate control feature. When the slew rate bit **SRC.SRCn** is set, the slew rate of the respective channel is reduced to the half (see **Chapter 7.4.1**).

Power Stages

7.3 Advanced Switching Characteristics

7.3.1 Inverse Current behavior

When  $V_{OUT} > V_S$ , a current  $I_{INV}$  flows into the power output transistor (see Figure 22). This condition is known as “Inverse Current”.

If the channel is in OFF state, the current flows through the intrinsic body diode generating high power losses therefore an increase of overall device temperature. This may lead to a switch OFF of unaffected channels due to Overtemperature. If the channel is in ON state,  $R_{DS(INV)}$  can be expected and power dissipation in the output stage is comparable to normal operation in  $R_{DS(ON)}$ .

During Inverse Current condition, the channel remains in ON or OFF state as long as  $I_{INV} < I_{L(INV)}$ .

With InverseON, it is possible to switch ON the channel during Inverse Current condition as long as  $I_{INV} < I_{L(INV)}$  (see Figure 23).

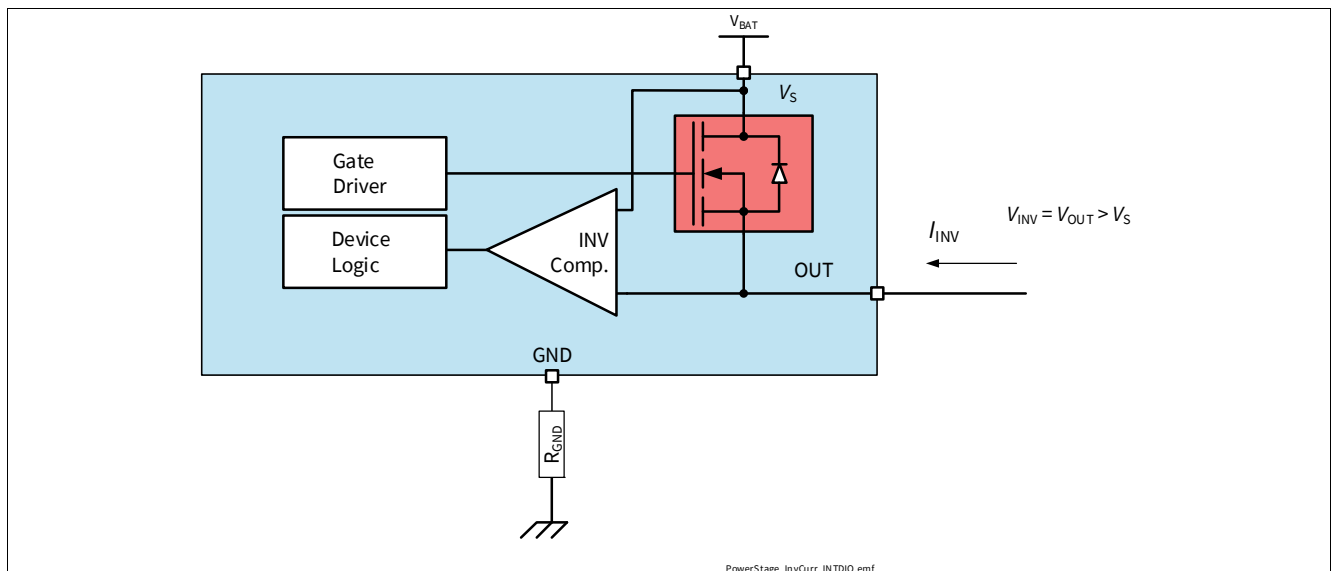


Figure 22 Inverse Current Circuitry

Power Stages

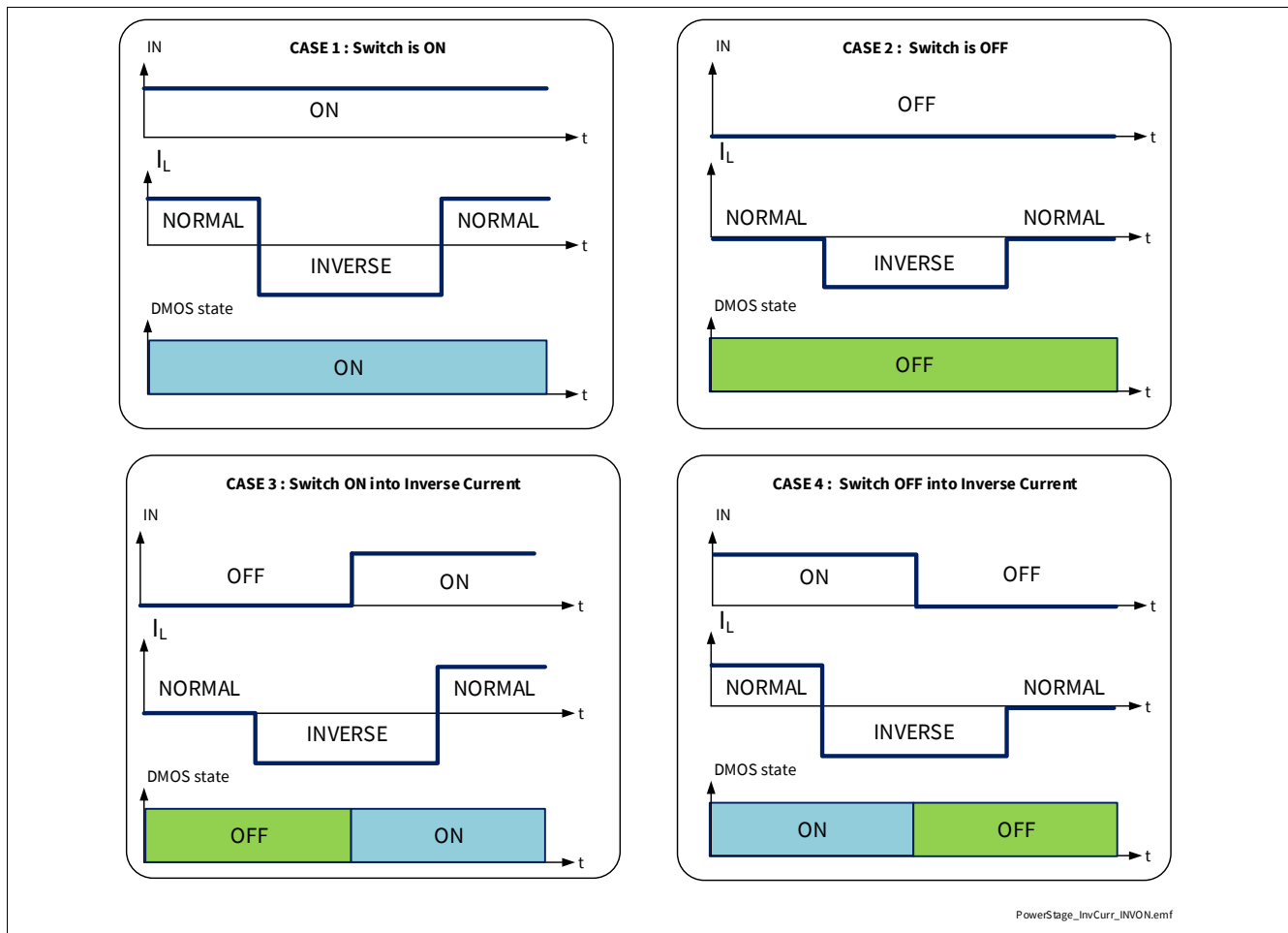


Figure 23 InverseON - Channel behavior in case of applied Inverse Current

Note: No protection mechanism like Overtemperature or Overload protection is active during applied Inverse Currents.

### 7.3.2 Switching Channels in Parallel

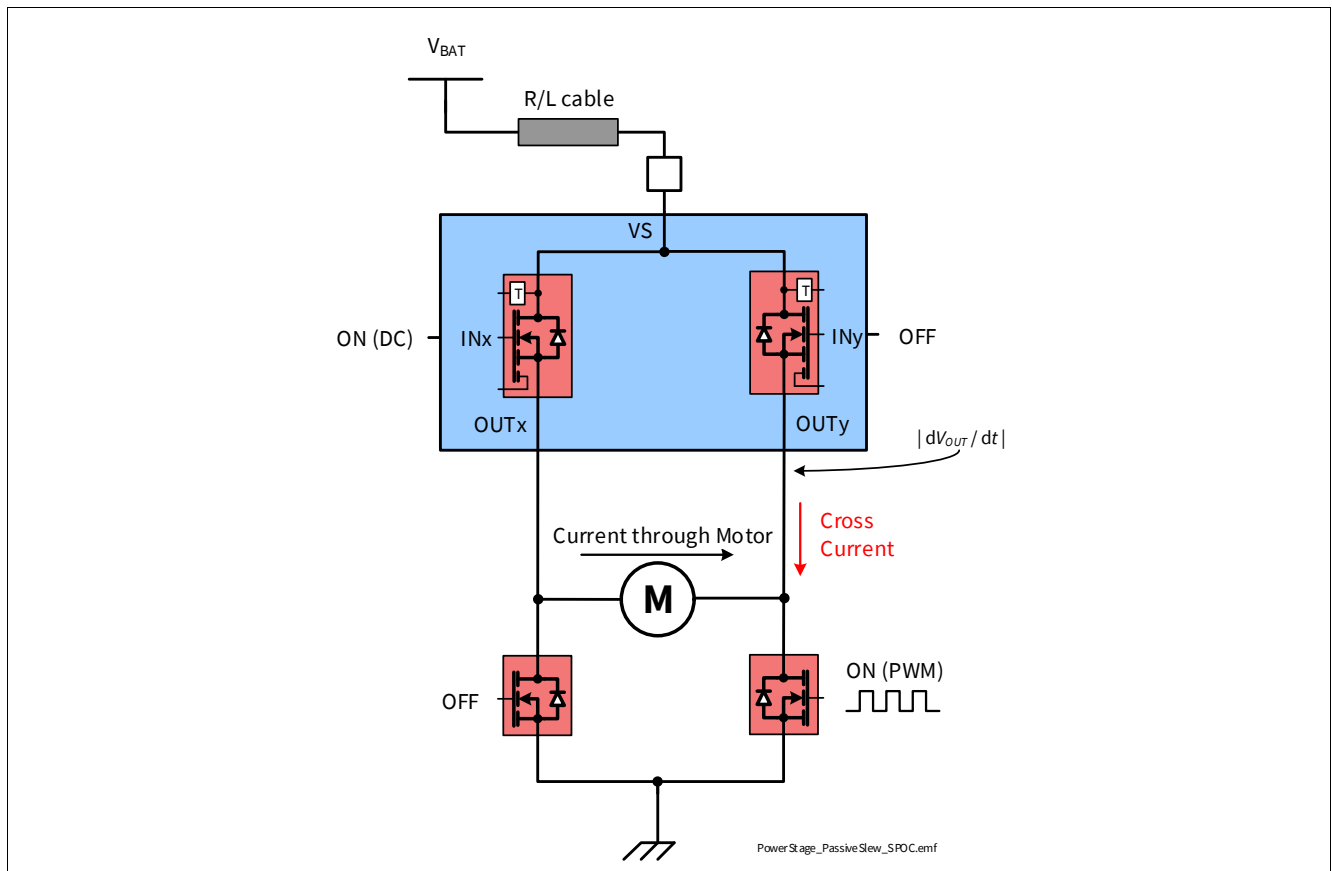
When switching channels in parallel to drive a single load it may happen that the two channels switch OFF asynchronously in case of a fault condition which brings additional stress to the channel that switches OFF last. In order to avoid this condition, it is possible to synchronize the protection of two channels when used in parallel. There are 2 bits in the SPI (**PCS . PCCn**), which allow to synchronize channels 0&3 and 1&2. When the corresponding **PCS . PCCn** bit is set, the switch-OFF and restart of the channels are synchronized and the current trip levels will be reduced to  $I_{L(OVL3)}$ . In case the current trip level for one channel is set to the low level (**OCR . OCTn** = 1<sub>B</sub>), the current for both channels will be reduced to  $I_{L(OVL2)}$ . Since the restart counters of the channels in parallel are synchronized, both channels will latch-OFF as soon one counter has reached  $n_{RESTART(CR)}$ . Due to this reason it is recommended to clear counters before switching channels in parallel. In case the slew rate adjustment for one channels is used, (**SRC . SRCn** = 1<sub>B</sub>), both channels operating in parallel mode will use the adjusted slew rate. When channels are switched in parallel (**PCS . PCCn** = 1<sub>B</sub>), the Output Voltage Drop Limitation at Small Load Currents is disabled. Therefore the current sense ratio specifications at lower currents are not valid. See **Chapter 9.7** for further information. To improve current sense accuracy in parallel channel operation, parallel mode has to be deactivated (**PCS . PCCn** = 0<sub>B</sub>). Since the current sense of the two channels used in parallel is not synchronized, the total current has to be calculated out of the current sense reading of each single channel. Unless otherwise specified parameter deviations are possible when parallel mode is activated.

**Power Stages**

When two channels are used in parallel, the total current capability  $I_{L(NOM)}$  is doubled. It has to be ensured that the outputs used in parallel mode are connected together with a symmetric and low impedance connection either on the PCB or in the wire harness.

**7.3.3 Cross Current robustness with H-Bridge configuration**

When BTS71040-4ESE is used as high-side switch e.g. in a bridge configuration (therefore paired with a low-side switch as shown in **Figure 24**), the maximum slew rate applied to the output by the low-side switch must be lower than  $|dV_{OUT} / dt|$ . Otherwise the output stage may turn ON in linear mode (not in  $R_{DS(ON)}$ ) while the low-side switch is commutating. This creates an unprotected overheating for the DMOS due to the cross-conduction current.



**Figure 24 High-Side switch used in Bridge configuration**

**Power Stages**

**7.4 Electrical Characteristics Power Stages**

$V_{DD} = 3.0\text{ V to }5.5\text{ V}$ ,  $V_S = 6\text{ V to }18\text{ V}$ ,  $T_J = -40\text{ °C to }+150\text{ °C}$

Typical values:  $V_{DD} = 5.0\text{ V}$ ,  $V_S = 13.5\text{ V}$ ,  $T_J = 25\text{ °C}$

Typical resistive loads connected to the outputs for testing (unless otherwise specified):

27W output:  $R_L = 4.8\ \Omega$

**Table 14 Electrical Characteristics: Power Stages - General**

Parameter	Symbol	Values			Unit	Note or Test Condition	Number
		Min.	Typ.	Max.			
<b>Voltages</b>							
Drain to Source Clamping Voltage at $T_J = -40\text{ °C}$	$V_{DS(CLAMP)_{-40}}$	33	36.5	42	V	$I_L = 5\text{ mA}$ $T_J = -40\text{ °C}$ See <b>Figure 20</b>	P_7.4.0.1
Drain to Source Clamping Voltage at $T_J \geq 25\text{ °C}$	$V_{DS(CLAMP)_{25}}$	35	38	44	V	<sup>1)</sup> $I_L = 5\text{ mA}$ $T_J \geq 25\text{ °C}$ See <b>Figure 20</b>	P_7.4.0.2

1) Tested at  $T_J = 150\text{ °C}$ .

**7.4.1 Electrical Characteristics Power Stages - SPOC™**

**Table 15 Electrical Characteristics: Power Stages - SPOC™**

Parameter	Symbol	Values			Unit	Note or Test Condition	Number
		Min.	Typ.	Max.			
<b>Timings</b>							
Switch-ON Delay	$t_{ON(DELAY)}$	10	30	60	$\mu\text{s}$	$V_S = 13.5\text{ V}$ $V_{OUT} = 10\% V_S$ <b>PCS . PCCn</b> = 0 <sub>B</sub>	P_7.4.2.1
Switch-ON Delay (parallel mode)	$t_{ON(DELAY)}$	10	40	80	$\mu\text{s}$	<sup>2)</sup> $V_S = 13.5\text{ V}$ $V_{OUT} = 10\% V_S$ <b>PCS . PCCn</b> = 1 <sub>B</sub>	P_7.4.2.16
Switch-OFF Delay	$t_{OFF(DELAY)}$	10	30	60	$\mu\text{s}$	$V_S = 13.5\text{ V}$ $V_{OUT} = 90\% V_S$	P_7.4.2.2
Switch-ON Time	$t_{ON}$	20	55	100	$\mu\text{s}$	$V_S = 13.5\text{ V}$ $V_{OUT} = 90\% V_S$ <b>SRC . SRCn</b> = 0 <sub>B</sub> <b>PCS . PCCn</b> = 0 <sub>B</sub>	P_7.4.2.3
Switch-ON Time (parallel mode)	$t_{ON}$	20	70	125	$\mu\text{s}$	<sup>2)</sup> $V_S = 13.5\text{ V}$ $V_{OUT} = 90\% V_S$ <b>SRC . SRCn</b> = 0 <sub>B</sub> <b>PCS . PCCn</b> = 1 <sub>B</sub>	P_7.4.2.20

**Power Stages**

**Table 15 Electrical Characteristics: Power Stages - SPOC™ (continued)**

Parameter	Symbol	Values			Unit	Note or Test Condition	Number
		Min.	Typ.	Max.			
Switch-ON Time	$t_{ON}$	30	75	150	$\mu\text{s}$	$V_S = 13.5\text{ V}$ $V_{OUT} = 90\% V_S$ <b>SRC . SRCn</b> = 1 <sub>B</sub>	P_7.4.2.4
Switch-OFF Time	$t_{OFF}$	20	55	100	$\mu\text{s}$	$V_S = 13.5\text{ V}$ $V_{OUT} = 10\% V_S$ <b>SRC . SRCn</b> = 0 <sub>B</sub>	P_7.4.2.6
Switch-OFF Time	$t_{OFF}$	30	75	150	$\mu\text{s}$	$V_S = 13.5\text{ V}$ $V_{OUT} = 10\% V_S$ <b>SRC . SRCn</b> = 1 <sub>B</sub>	P_7.4.2.7
Switch-ON/OFF Matching $t_{ON} - t_{OFF}$	$\Delta t_{SW}$	-50	0	50	$\mu\text{s}$	$V_S = 13.5\text{ V}$ <b>PCS . PCCn</b> = 0 <sub>B</sub>	P_7.4.2.9

**Voltage Slope**

Switch-ON Slew Rate	$(dV/dt)_{ON}$	0.3	0.6	0.9	V/ $\mu\text{s}$	$V_S = 13.5\text{ V}$ $V_{OUT} = 30\%$ to 70% of $V_S$ <b>SRC . SRCn</b> = 0 <sub>B</sub>	P_7.4.2.11
Switch-ON Slew Rate	$(dV/dt)_{ON}$	0.15	0.3	0.45	V/ $\mu\text{s}$	$V_S = 13.5\text{ V}$ $V_{OUT} = 30\%$ to 70% of $V_S$ <b>SRC . SRCn</b> = 1 <sub>B</sub>	P_7.4.2.12
Switch-OFF Slew Rate	$-(dV/dt)_{OFF}$	0.3	0.6	0.9	V/ $\mu\text{s}$	$V_S = 13.5\text{ V}$ $V_{OUT} = 70\%$ to 30% of $V_S$ <b>SRC . SRCn</b> = 0 <sub>B</sub>	P_7.4.2.14
Switch-OFF Slew Rate	$-(dV/dt)_{OFF}$	0.125	0.3	0.45	V/ $\mu\text{s}$	$V_S = 13.5\text{ V}$ $V_{OUT} = 70\%$ to 30% of $V_S$ <b>SRC . SRCn</b> = 1 <sub>B</sub>	P_7.4.2.15
Slew Rate Matching	$\Delta(dV/dt)_{SW}$	-30	0	30	%	1) $V_S = 13.5\text{ V}$	P_7.4.2.17

**Voltages**

Output Voltage Drop Limitation at Small Load Currents	$V_{DS(SLC)}$	2	10	18	mV	2) $I_L = I_{L(OL)} = 20\text{ mA}$	P_7.4.2.18
---	---------------	---	----	----	----	--	------------

1)  $\Delta(dV/dt)_{SW} = ((dV/dt)_{ON} - (dV/dt)_{OFF}) / (((dV/dt)_{ON} + (dV/dt)_{OFF}) / 2)$ .

2) Not subject to production test - specified by design.

**Power Stages**

**7.5 Electrical Characteristics - Power Output Stages**

$V_{DD} = 3.0\text{ V to }5.5\text{ V}$ ,  $V_S = 6\text{ V to }18\text{ V}$ ,  $T_J = -40\text{ °C to }+150\text{ °C}$

Typical values:  $V_{DD} = 5.0\text{ V}$ ,  $V_S = 13.5\text{ V}$ ,  $T_J = 25\text{ °C}$

Typical resistive loads connected to the outputs for testing (unless otherwise specified):

27W output:  $R_L = 4.8\ \Omega$

**7.5.1 Power Output Stage - 27 W**

**Table 16 Electrical Characteristics: Power Stages - 27 W**

Parameter	Symbol	Values			Unit	Note or Test Condition	Number
		Min.	Typ.	Max.			
<b>Output characteristics</b>							
ON-State Resistance at $T_J = 25\text{ °C}$	$R_{DS(ON)_25}$	–	22.5	–	mΩ	<sup>1)</sup> $T_J = 25\text{ °C}$	P_7.5.16.1
ON-State Resistance at $T_J = 150\text{ °C}$	$R_{DS(ON)_150}$	–	–	38	mΩ	$T_J = 150\text{ °C}$	P_7.5.16.2
ON-State Resistance in Cranking	$R_{DS(ON)_CRANK}$	–	–	44	mΩ	$T_J = 150\text{ °C}$ $V_S = 3.1\text{ V}$	P_7.5.16.3
ON-State Resistance in Inverse Current at $T_J = 25\text{ °C}$	$R_{DS(INV)_25}$	–	22.5	–	mΩ	<sup>1)</sup> $T_J = 25\text{ °C}$ $I_L = -I_{L(NOM)}$	P_7.5.16.4
ON-State Resistance in Inverse Current at $T_J = 150\text{ °C}$	$R_{DS(INV)_150}$	–	–	44	mΩ	<sup>1)</sup> $T_J = 150\text{ °C}$ $I_L = -I_{L(NOM)}$	P_7.5.16.5
ON-State Resistance in Reverse Polarity at $T_J = 25\text{ °C}$	$R_{DS(REV)_25}$	–	45	–	mΩ	<sup>1)</sup> $T_J = 25\text{ °C}$ $V_S = -13.5\text{ V}$ $I_L = -I_{L(NOM)}$ $R_{SENSE} = 1.2\text{ k}\Omega$	P_7.5.16.6
ON-State Resistance in Reverse Polarity at $T_J = 150\text{ °C}$	$R_{DS(REV)_150}$	–	–	70	mΩ	<sup>1)</sup> $T_J = 150\text{ °C}$ $V_S = -13.5\text{ V}$ $I_L = -I_{L(NOM)}$ $R_{SENSE} = 1.2\text{ k}\Omega$	P_7.5.16.7
Nominal Load Current per Channel (all Channels Active)	$I_{L(NOM)}$	–	3	–	A	<sup>1)</sup> $T_A = 85\text{ °C}$ $T_J \leq 150\text{ °C}$	P_7.5.16.8
Output Leakage Current at $T_J \leq 85\text{ °C}$	$I_{L(OFF)_85}$	–	0.03	0.15	μA	<sup>1)</sup> $V_{OUT} = 0\text{ V}$ $V_{IN} = \text{“low” and } \mathbf{OUT.n. OUTn} = 0_B$ $T_A \leq 85\text{ °C}$	P_7.5.16.9

**Power Stages**

**Table 16 Electrical Characteristics: Power Stages - 27 W (continued)**

Parameter	Symbol	Values			Unit	Note or Test Condition	Number
		Min.	Typ.	Max.			
Output Leakage Current at $T_J = 150\text{ °C}$	$I_{L(OFF)_{150}}$	–	–	10	$\mu\text{A}$	$V_{OUT} = 0\text{ V}$ $V_{IN} = \text{“low”}$ and $OUT . OUTn = 0_B$ $T_A = 150\text{ °C}$	P_7.5.16.10
Inverse Current Capability	$I_{L(INV)}$	–	3	–	A	<sup>1)</sup> $V_S < V_{OUT}$ $IN = \text{“high”}$ or $OUT . OUTn = 1_B$	P_7.5.16.11

**Voltage Slope**

Passive Slew Rate (e.g. for Half Bridge Configuration)	$ dV_{OUT} / dt $	–	–	10	V/ $\mu\text{s}$	<sup>1)</sup> $V_S = 13.5\text{ V}$	P_7.5.16.12
--	-------------------	---	---	----	------------------	--	-------------

**Voltages**

Drain Source Diode Voltage	$ V_{DS(DIODE)} $	–	500	600	mV	<sup>1)</sup> $I_L = -190\text{ mA}$ $T_J = 150\text{ °C}$	P_7.5.16.13
----------------------------	-------------------	---	-----	-----	----	--	-------------

**Switching Energy**

Switch-ON Energy	$E_{ON}$	–	0.30	–	mJ	<sup>1)</sup> $V_S = 18\text{ V}$ $SRC . SRCn = 0_B$ $PCS . PCCn = 0_B$	P_7.5.16.14
Switch-OFF Energy	$E_{OFF}$	–	0.38	–	mJ	<sup>1)</sup> $V_S = 18\text{ V}$ $SRC . SRCn = 0_B$ $PCS . PCCn = 0_B$	P_7.5.16.15

1) Not subject to production test - specified by design.



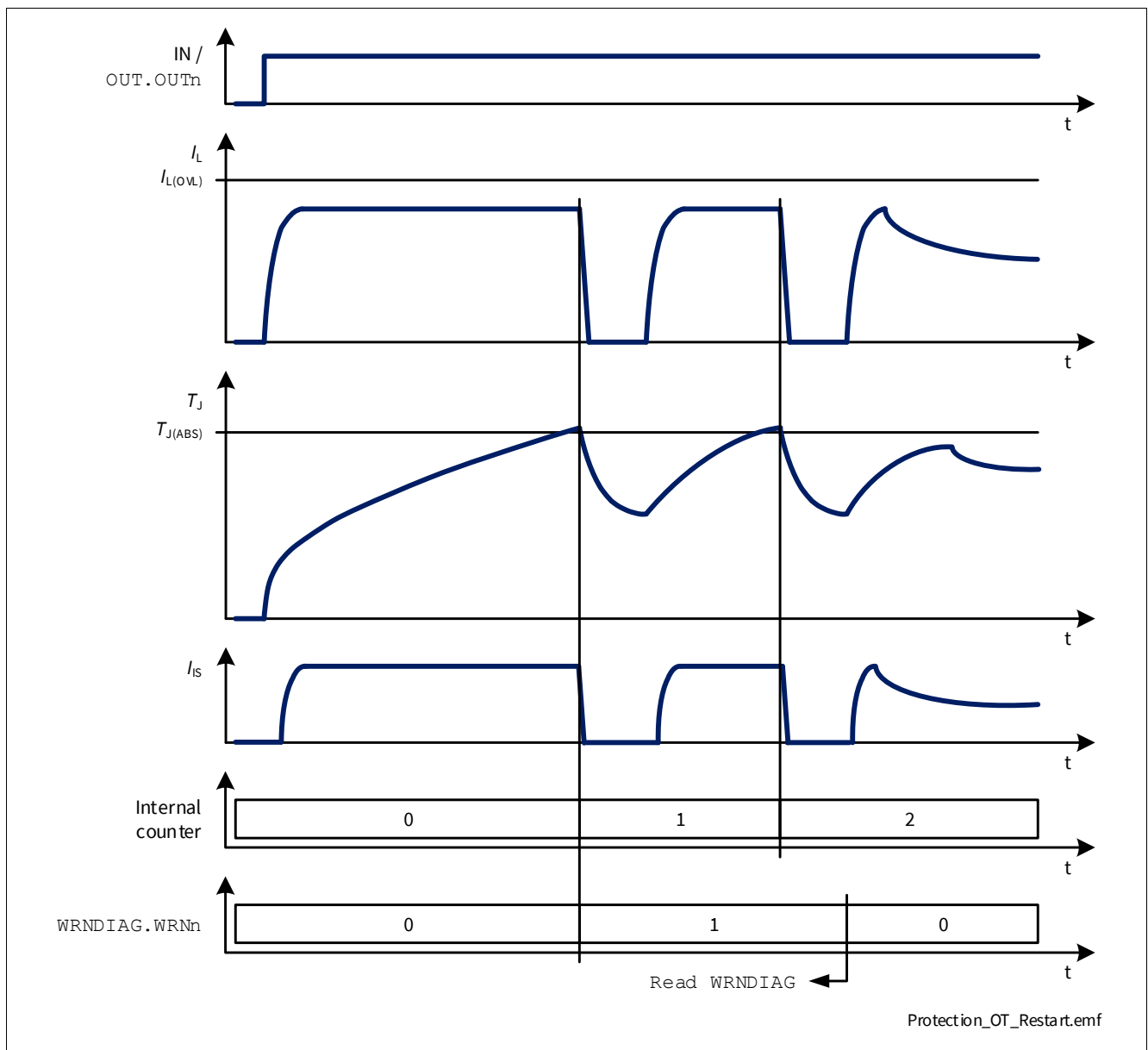
**Protection**

**8 Protection**

The BTS71040-4ESE is protected against Overtemperature, Overload, Reverse Battery (with ReverSave™) and Overvoltage. Overtemperature and Overload protections are working when the device is not in Sleep mode. Overvoltage protection works in all operation modes. Reverse Battery protection works when the GND and VS pins are reverse supplied.

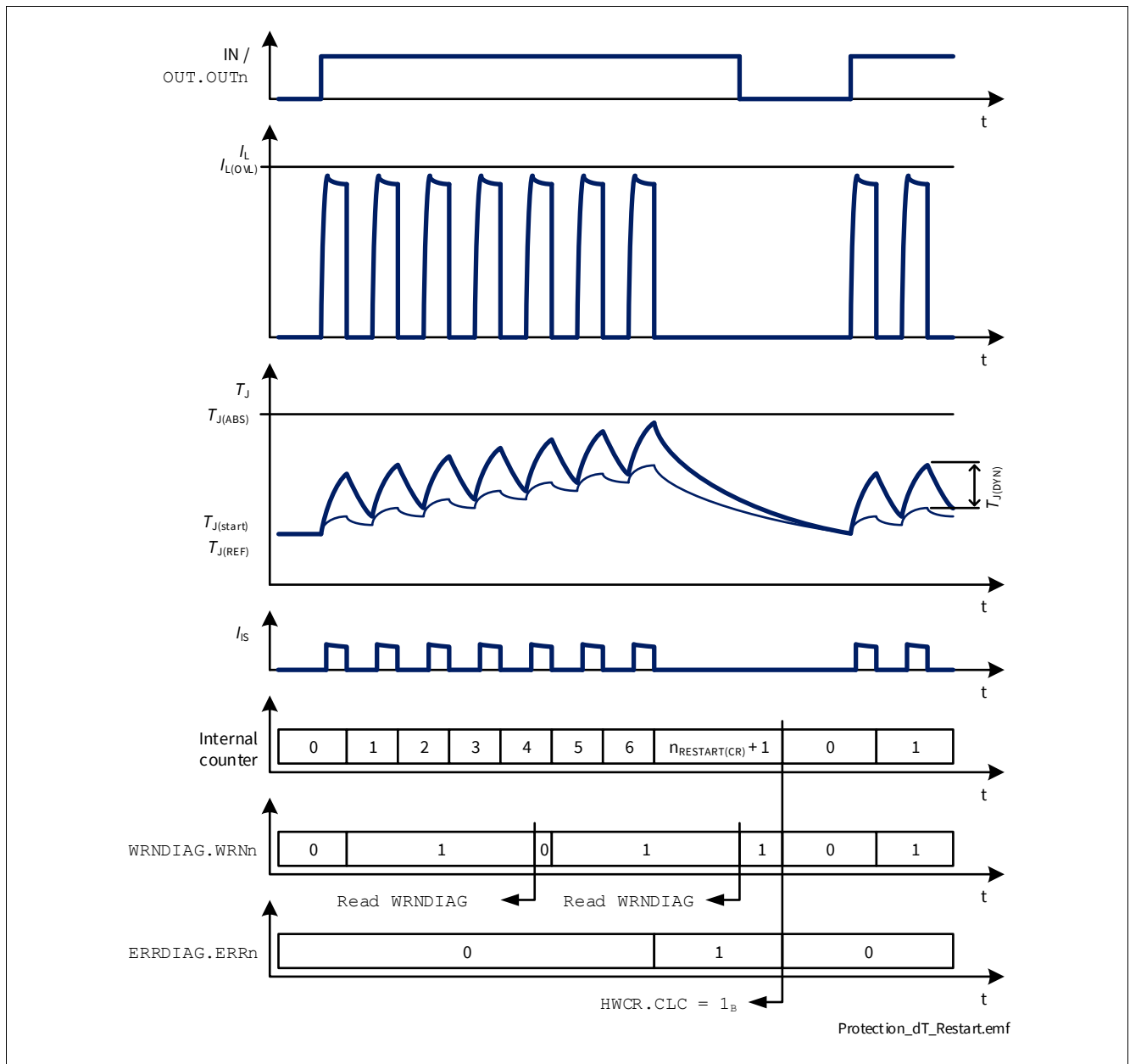
**8.1 Overtemperature Protection**

The device incorporates both an absolute ( $T_{J(ABS)}$ ) and a dynamic ( $T_{J(DYN)}$ ) temperature protection circuitry for each channel. An increase of junction temperature  $T_J$  above either one of the two thresholds ( $T_{J(ABS)}$  or  $T_{J(DYN)}$ ) switches OFF the overheated channel to prevent destruction. The corresponding **WRNDIAG.WRNn** bits are set and cleared on read. The channel remains switched OFF until junction temperature has reached the “Restart” condition described in **Table 17**. The behavior is shown in **Figure 25** (absolute Overtemperature Protection) and **Figure 26** (dynamic Overtemperature Protection).  $T_{J(REF)}$  is the reference temperature used for dynamic temperature protection.



**Figure 25 Overtemperature Protection (Absolute)**

Protection



**Figure 26 Overtemperature Protection (Dynamic)**

When the Overtemperature protection circuitry allows the channel to be switched ON again, the restart strategy described in [Chapter 8.3.1](#) is followed.

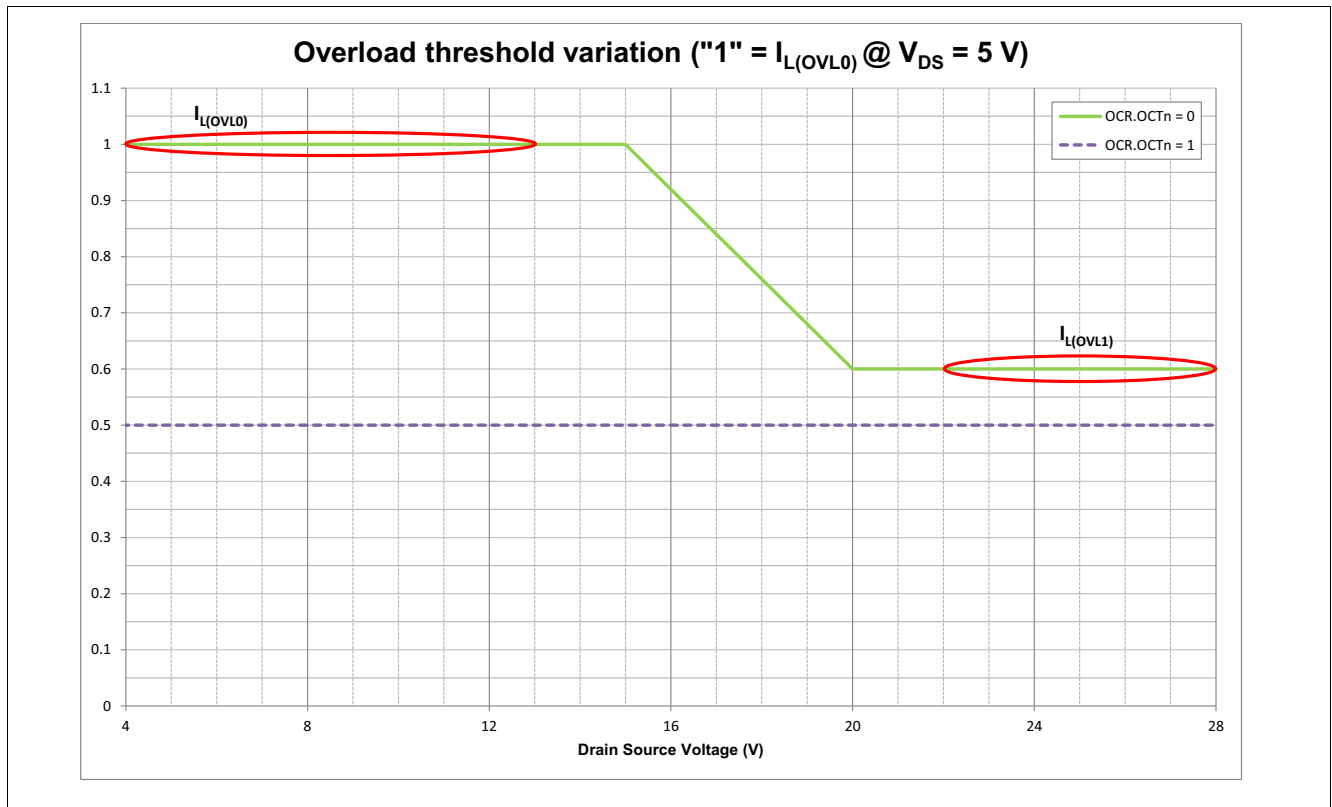
**Protection**

**8.2 Overload Protection**

The BTS71040-4ESE is protected in case of Overload or short circuit to ground. Two Overload thresholds are defined (see [Figure 27](#)) and selected automatically depending on the voltage  $V_{DS}$  across the power DMOS:

- $I_{L(OVL0)}$  when  $V_{DS} < 13\text{ V}$
- $I_{L(OVL1)}$  when  $V_{DS} > 22\text{ V}$

In addition, the Overload threshold can be reduced by setting [OCR.OCTn](#).



**Figure 27 Overload current thresholds**

When  $I_L \geq I_{L(OVL)}$  (either  $I_{L(OVL0)}$  or  $I_{L(OVL1)}$ ), the channel is switched OFF. The channel is allowed to restart according to the restart strategy described in [Chapter 8.3.1](#).

**8.3 Protection and Diagnosis in case of Fault**

Any event that triggers a protection mechanism (either Overtemperature or Overload) has 3 consequences:

- The affected channel switches OFF and the internal counter is incremented
- The current sense of the affected channel is set to high impedance
- The corresponding [WRNDIAG.WRNn](#) are set to  $1_B$  and latched until readout.

The channel can be switched ON again if all the protection mechanisms fulfill the “restart” conditions described in [Table 17](#) and the internal restart counter is enabled ([RCD.RCDn](#) set to  $0_B$ ).

**Protection**

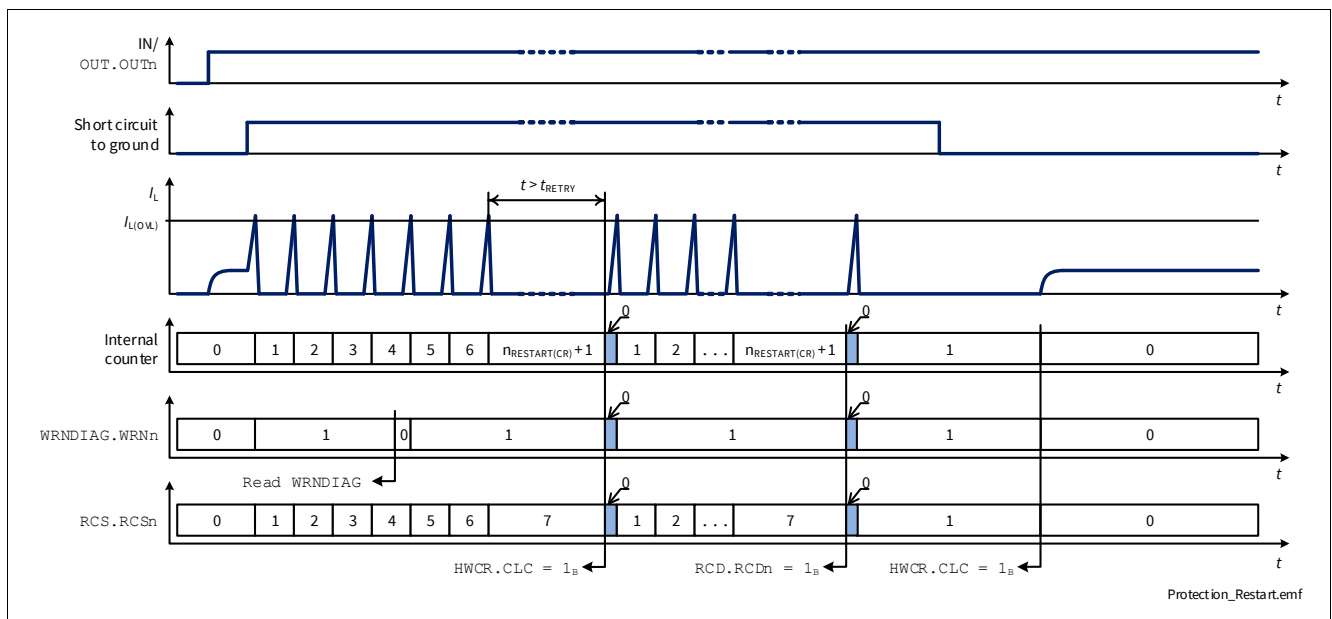
**Table 17 Protection “Restart” Condition**

Fault condition	Switch OFF event	“Restart” Condition
Overtemperature	$T_J \geq T_{J(ABS)}$ or $(T_J - T_{J(REF)}) \geq T_{J(DYN)}$	$T_J < T_{J(ABS)}$ and $(T_J - T_{J(REF)}) < T_{J(DYN)}$ (including hysteresis) $n_{RESTART} < n_{RESTART(CR)}$ <b>RCD . RCDn = 0</b>
Overload	$I_L \geq I_{L(OVL)}$	$I_L < 50$ mA $T_J$ within $T_{J(ABS)}$ and $T_{J(DYN)}$ ranges (including hysteresis) $n_{RESTART} < n_{RESTART(CR)}$ <b>RCD . RCDn = 0</b>

**8.3.1 Restart Strategy**

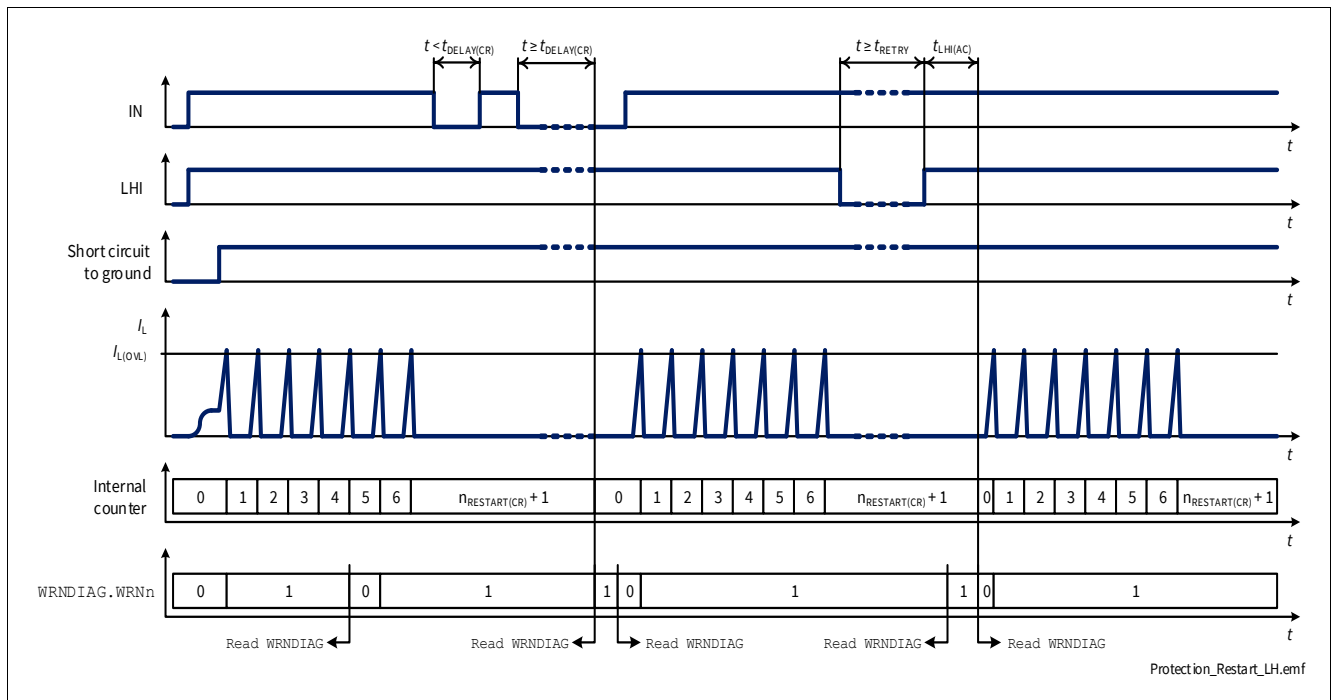
When INx or **OUT . OUTn** is set to “high”, the corresponding channel is switched ON. In case of fault condition the output stage is switched OFF. The channel is allowed to restart only in case the “restart” conditions for the protection mechanisms are fulfilled (see **Table 17**). The **WRNDIAG . WRNn** is set during Overcurrent shutdown. It is reset when the internal fault signal is cleared and the **WRNDIAG** is transmitted, unless latched state is reached by exceeding  $n_{RESTART(CR)}$ . The next Overcurrent event set the **WRNDIAG . WRNn** again. In case the automatic restarts are not required, they can be deactivated by setting **RCD . RCDn** to 1<sub>B</sub>. When **RCD . RCDn** is set to 1<sub>B</sub>, the restart counter will be reset. When a channel reaches latched state, the corresponding **ERRDIAG . ERRn** bit is set. The restart latch and counter are cleared by setting the SPI bit **HWCR . CLC** to 1<sub>B</sub>. If the input pin is “high” or **OUT . OUTn** is still set to 1<sub>B</sub>, the channel is switched ON immediately after the command that set **HWCR . CLC** bit to 1<sub>B</sub>. To ensure an adequate cool down after latch-OFF condition, application software needs to wait for  $t > t_{RETRY}$  before restarting the channel.

The restart strategy is shown in **Figure 28**.



**Figure 28 Restart Strategy timing diagram**

**Protection**



**Figure 29 Restart Strategy timing diagram in Limp Home**

**8.4 Additional protections**

**8.4.1 Reverse Polarity Protection**

In Reverse Polarity condition (also known as Reverse Battery), the output stages are switched ON (see parameter  $R_{\text{DS(REV)}}$ ) because of Reversave™ feature which limits the power dissipation in the output stages. Each ESD diode of the logic contributes to total power dissipation. The reverse current through the output stages must be limited by the connected loads. The current through digital power supply  $V_{\text{DD}}$  and Digital Input pins has to be limited as well by an external resistor (please refer to the Absolute Maximum Ratings listed in [Chapter 4.1](#) and to Application Information in [Chapter 11](#)).

**Figure 30** shows a typical application including a device with Reversave™. A current flowing into GND pin ( $-I_{\text{GND}}$ ) during Reverse Polarity condition is necessary to activate Reversave™, therefore a resistive path between module ground and device GND pin must be present.

Protection

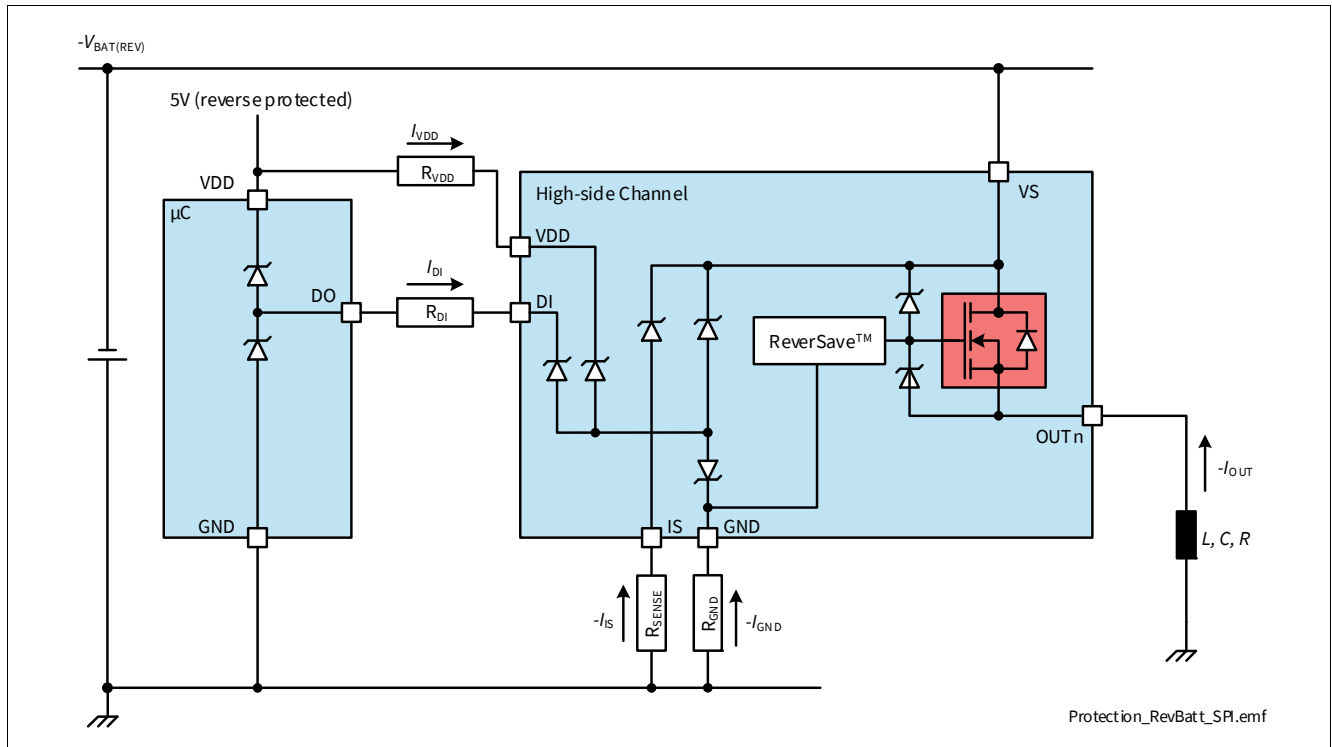


Figure 30 Reverse Battery Protection (application example)

### 8.4.2 Overvoltage Protection

In the case of supply voltages between  $V_{S(EXT,UP)}$  and  $V_{BAT(LD)}$ , the output transistors are still operational and follow the input pins or the **OUT** register. In addition to the output clamp for inductive loads as described in [Chapter 7.2.2](#), there is a clamp mechanism available for Overvoltage protection for the logic and the output channels, monitoring the voltage between VS and GND pins ( $V_{S(CLAMP)}$ ).

## 8.5 Protection against loss of connection

### 8.5.1 Loss of Battery and Loss of Load

The loss of connection to battery or to the load has no influence on device robustness when load and wire harness are purely resistive. In case of driving an inductive load, the energy stored in the inductance must be handled. BTS71040-4ESE can handle the inductivity of the wire harness up to 10  $\mu\text{H}$  with  $I_{L(\text{NOM})}$ . In case of applications where currents and/or the aforementioned inductivity are exceeded, an external suppressor diode (like diode  $D_{Z2}$  shown in [Chapter 11](#)) is recommended to handle the energy and to provide a well-defined path to the load current.

*Note: In case of a lost battery connection the VS monitoring function protects the SPI registers as soon the device is out of Sleep mode. This means that any command sent to the device will be ignored and the device will just send back the **STDDIAG**. Furthermore, the status of the LHI pin is blanked, which means that it is not possible to enter Limp Home mode.*

### 8.5.2 Loss of Ground

In case of loss of device ground, it is recommended to have a resistor connected between any Digital Input pin and the microcontroller to ensure a channel switch OFF (as described in [Chapter 11](#)).

*Note: In case any Digital Input pin is pulled to ground (either by a resistor or active) a parasitic ground path is available, which could keep the device operational during loss of device ground. The same behavior applies for the SPI functionality.*

**Protection**

**8.6 Electrical Characteristics Protection**

$V_{DD} = 3.0\text{ V to }5.5\text{ V}$ ,  $V_S = 6\text{ V to }18\text{ V}$ ,  $T_J = -40\text{ °C to }+150\text{ °C}$

Typical values:  $V_{DD} = 5.0\text{ V}$ ,  $V_S = 13.5\text{ V}$ ,  $T_J = 25\text{ °C}$

Typical resistive loads connected to the outputs for testing (unless otherwise specified):

27W output:  $R_L = 4.8\ \Omega$

**Table 18 Electrical Characteristics: Protection - General**

Parameter	Symbol	Values			Unit	Note or Test Condition	Number
		Min.	Typ.	Max.			
Thermal Shutdown Temperature (Absolute)	$T_{J(ABS)}$	150	175	200	°C	1)2) See <a href="#">Figure 25</a>	P_8.6.0.1
Thermal Shutdown Hysteresis (Absolute)	$T_{HYS(ABS)}$	–	30	–	K	3) See <a href="#">Figure 25</a>	P_8.6.0.2
Thermal Shutdown Temperature (Dynamic)	$T_{J(DYN)}$	–	80	–	K	3) See <a href="#">Figure 26</a>	P_8.6.0.3
Power Supply Clamping Voltage at $T_J = -40\text{ °C}$	$V_{S(CLAMP)_{-40}}$	33	36.5	42	V	$I_{VS} = 5\text{ mA}$ $T_J = -40\text{ °C}$ See <a href="#">Figure 20</a>	P_8.6.0.6
Power Supply Clamping Voltage at $T_J \geq 25\text{ °C}$	$V_{S(CLAMP)_{25}}$	35	38	44	V	2) $I_{VS} = 5\text{ mA}$ $T_J \geq 25\text{ °C}$ See <a href="#">Figure 20</a>	P_8.6.0.7
Power Supply Voltage Threshold for Overcurrent Threshold Reduction in case of Short Circuit	$V_{S(JS)}$	20.5	22.5	24.5	V	3) Setup acc. to AEC-Q100-012	P_8.6.0.8

1) Functional test only.

2) Tested at  $T_J = 150\text{ °C}$  only.

3) Not subject to production test - specified by design.

**8.6.1 Electrical Characteristics Protection - SPOC™**

**Table 19 Electrical Characteristics: Protection - SPOC™**

Parameter	Symbol	Values			Unit	Note or Test Condition	Number
		Min.	Typ.	Max.			
Counter Reset Delay Time after Fault Condition in Limp Home	$t_{DELAY(CR)}$	40	70	100	ms	1) LHI = “high” INx = “low”	P_8.6.2.1
Automatic Restarts in Case of Fault after a Counter Reset	$n_{RESTART(CR)}$	–	6	–	–	1)	P_8.6.2.2

1) Not subject to production test - specified by design.



**Protection**

**8.7 Electrical Characteristics Protection - Power Output Stages**

$V_{DD} = 3.0\text{ V to }5.5\text{ V}$ ,  $V_S = 6\text{ V to }18\text{ V}$ ,  $T_J = -40\text{ °C to }+150\text{ °C}$

Typical values:  $V_{DD} = 5.0\text{ V}$ ,  $V_S = 13.5\text{ V}$ ,  $T_J = 25\text{ °C}$

Typical resistive loads connected to the outputs for testing (unless otherwise specified):

27W output:  $R_L = 4.8\ \Omega$

**8.7.1 Protection Power Output Stage - 27 W channels**

**Table 20 Electrical Characteristics: Protection - 27 W channels**

Parameter	Symbol	Values			Unit	Note or Test Condition	Number
		Min.	Typ.	Max.			
Overload Detection Current High Level	$I_{L(OVL0)}$	44	48	53	A	1) $OCR.OCTn = 0_B$ $T_J = -40\text{ °C to }50\text{ °C}$ $dI/dt = 0.2\text{ A}/\mu\text{s}$	P_8.7.16.3
Overload Detection Current High Level	$I_{L(OVL0)}$	35	39	44	A	2) $OCR.OCTn = 0_B$ $T_J = 150\text{ °C}$ $dI/dt = 0.2\text{ A}/\mu\text{s}$	P_8.7.16.4
Overload Detection Current Low Level	$I_{L(OVL2)}$	19	24	29	A	2) $OCR.OCTn = 1_B$ $dI/dt = 0.2\text{ A}/\mu\text{s}$	P_8.7.16.2
Overload Detection Current High Level (parallel mode)	$I_{L(OVL3)}$	22	31	36	A	2)3) $OCR.OCTn = 0_B$ $PCS.PCCn = 1_B$ $dI/dt = 0.2\text{ A}/\mu\text{s}$	P_8.7.16.6
Overload Detection Current at High $V_{DS}$	$I_{L(OVL1)}$	–	29	–	A	2) $dI/dt = 0.2\text{ A}/\mu\text{s}$	P_8.7.16.5
Overload Detection Current Jump Start Condition	$I_{L(OVL\_JS)}$	–	29	–	A	2) $OCR.OCTn = 0_B$ $V_S > V_{S(JS)}$ $dI/dt = 0.2\text{ A}/\mu\text{s}$	P_8.7.16.7

1) Tested at  $T_J = -40\text{ °C}$ .

2) Not subject to production test - specified by design.

3)  $I_{L(OVL3)}$  applies for one channel. Total current for two channels in parallel  $I_{L(OVL)} \leq 2 \times I_{L(OVL3)}$ .

**Diagnosis**

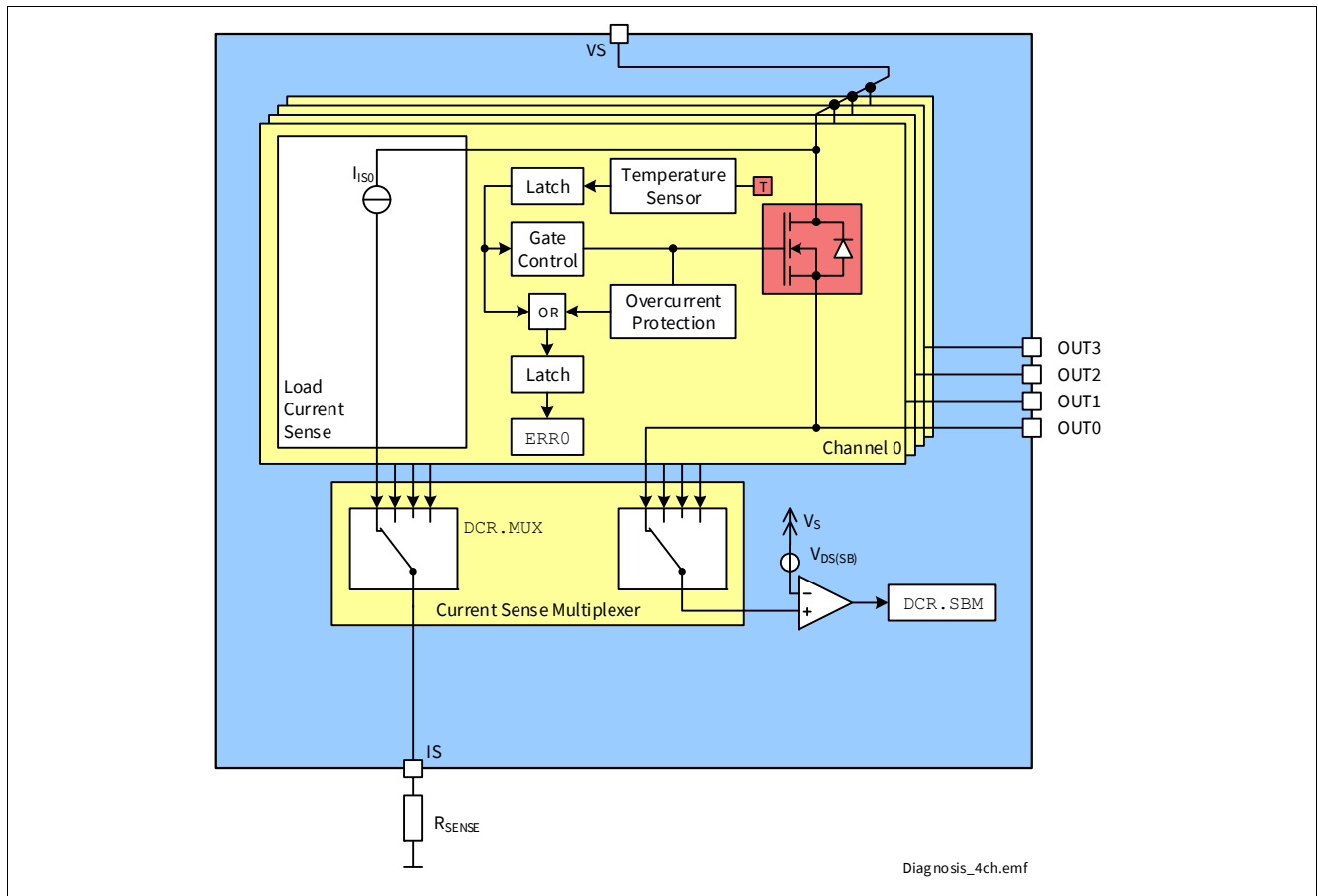
**9 Diagnosis**

For diagnosis purpose, the BTS71040-4ESE provides a current sense at pin IS as well as a diagnosis feedback via SPI. In case of disabled diagnostic, IS pin becomes high impedance. The integrated current sense multiplexer is controlled via SPI.

A sense resistor  $R_{SENSE}$  must be connected between IS pin and module ground if the current sense diagnosis is used.  $R_{SENSE}$  value has to be higher than 820  $\Omega$  (or 400  $\Omega$  when a central Reverse Battery protection is present on the battery feed) to limit the power losses in the sense circuitry. A typical value is  $R_{SENSE} = 1.2 \text{ k}\Omega$ .

Due to the internal connection between IS pin and  $V_S$  supply voltage, it is not recommended to connect the IS pin to the sense current output of other devices, if they are supplied by a different battery feed or using a different sense concept.

See **Figure 31** for details as an overview. For diagnosis feedback at different operation modes, please see **Chapter 9.2**.



**Figure 31** Diagnosis block diagram

**Diagnosis**

**9.1 Overview**

**Table 21** gives a quick reference to the state of the IS pin during BTS71040-4ESE operation.

**Table 21 Diagnosis feedback, Function of Operation Mode**

Operation Mode	Input level OUT . OUTn	V <sub>OUT</sub>	Current sense I <sub>IS</sub>	WRNDIAG . WRNn	STDDIAG . SBM
Normal operation	Low / 0 <sub>B</sub>	~ GND	Z	0	1
Short circuit to GND	OFF	~ GND	Z	0	1
Overtemperature		Z	Z	1	x
Short circuit to V <sub>S</sub>		V <sub>S</sub>	Z	0	0
Open Load		< V <sub>S</sub> - V <sub>DS(SB)</sub>	Z	0	1
		> V <sub>S</sub> - V <sub>DS(SB)</sub> <sup>1)</sup>	Z	0	0
Sense verification <sup>2)</sup>		X	I <sub>IS(VER)</sub>	X	0
Normal operation	High / 1 <sub>B</sub> ON	~ V <sub>S</sub>	I <sub>IS</sub> = I <sub>L(NOM)</sub> / k <sub>ILIS</sub>	0	0
Overload		< V <sub>S</sub>	I <sub>IS</sub> = I <sub>L</sub> / k <sub>ILIS</sub>	0	x
Short circuit to GND		~ GND	Z	1	1
Overtemperature		Z	Z	1	x
Short circuit to V <sub>S</sub>		V <sub>S</sub>	I <sub>IS</sub> < I <sub>L</sub> / k <sub>ILIS</sub>	0	0
Open Load		~ V <sub>S</sub> <sup>3)</sup>	I <sub>IS</sub> = I <sub>IS(EN)</sub>	0	0
Sense verification <sup>2)</sup>		X	I <sub>IS(VER)</sub>	X	0
Under load (e.g. Output Voltage Limitation condition)		~ V <sub>S</sub> <sup>4)</sup>	I <sub>IS(EN)</sub> < I <sub>IS</sub> < I <sub>L(NOM)</sub> / k <sub>ILIS</sub>	0	0

- 1) With additional pull-up resistor.
- 2) DCR . MUX = 101<sub>B</sub>.
- 3) The output current has to be smaller than I<sub>L(OL)</sub>.
- 4) The output current has to be higher than I<sub>L(OL)</sub>.

**Diagnosis**

**9.2 Diagnosis Word at SPI**

Diagnostic information about the status of each channel is provided through SPI. The fault flags, an OR combination of the overtemperature flags and the Overload monitoring signals are provided in the **WRNDIAG** register.

The Overload monitoring signals are latched in the **WRNDIAG.WRNn** bits and cleared each time the **WRNDIAG** is transmitted via SPI unless the maximum number of restarts is reached and the channel protects itself. The protection latches are cleared by SPI command **HWCR.CLC**.

**9.3 Diagnosis in ON state**

A current proportional to the load current (ratio  $k_{ILIS} = I_L / I_{IS}$ ) is provided at pin IS when the following conditions are fulfilled:

- A power output stage is switched ON with  $V_{DS} < V_{DS(SB)}$
- The diagnosis is enabled for that channel
- No fault (as described in **Chapter 8.3**) is present

If a “hard” failure mode is present or occurs for the channel selected using the **DCR.MUX** bits, the IS pin remains in or changes to “high impedance” state.

**9.3.1 Current Sense ( $k_{ILIS}$ )**

The accuracy of the sense current depends on temperature and load current.  $I_{IS}$  increases linearly with  $I_L$  output current until it reaches the saturation current  $I_{IS(SAT)}$ . In case of Open Load at the output stage ( $I_L$  close to 0 A), the maximum sense current  $I_{IS(EN)}$  (no load, diagnosis enabled) is specified. This condition is shown in **Figure 33**. The blue line represents the ideal  $k_{ILIS}$  line, while the red lines show the behavior of a typical product.

An external RC filter between IS pin and microcontroller ADC input pin is recommended to reduce signal ripple and oscillations (a minimum time constant of 1  $\mu$ s for the RC filter is recommended).

The  $k_{ILIS}$  factor is specified with limits that take into account effects due to temperature, supply voltage and manufacturing process. Tighter limits are possible (within a defined current window) with calibration:

- A well-defined and precise current ( $I_{L(CAL)}$ ) is applied at the output during End of Line test at customer side
- The corresponding current at IS pin is measured and the  $k_{ILIS}$  is calculated ( $k_{ILIS} @ I_{L(CAL)}$ )
- Within the current range going from  $I_{L(CAL)_L}$  to  $I_{L(CAL)_H}$  the  $k_{ILIS}$  is equal to  $k_{ILIS} @ I_{L(CAL)}$  with limits defined by  $\Delta k_{ILIS}$

The derating of  $k_{ILIS}$  after calibration is calculated using the formulas in **Figure 32** and it is specified by  $\Delta k_{ILIS}$

$$\Delta k_{ILIS,MAX} = 100 \cdot MAX \left( \frac{k_{ILIS}@I_{L(CAL)_L}}{k_{ILIS}@I_{L(CAL)}} - 1, \frac{k_{ILIS}@I_{L(CAL)_H}}{k_{ILIS}@I_{L(CAL)}} - 1 \right)$$

$$\Delta k_{ILIS,MIN} = 100 \cdot MIN \left( \frac{k_{ILIS}@I_{L(CAL)_L}}{k_{ILIS}@I_{L(CAL)}} - 1, \frac{k_{ILIS}@I_{L(CAL)_H}}{k_{ILIS}@I_{L(CAL)}} - 1 \right)$$

**Figure 32  $\Delta k_{ILIS}$  calculation formulas**

The calibration is intended to be performed at  $T_{A(CAL)} = 25^\circ\text{C}$ . The parameter  $\Delta k_{ILIS}$  includes the drift overtemperature as well as the drift over the current range from  $I_{L(CAL)_L}$  to  $I_{L(CAL)_H}$ .

Diagnosis

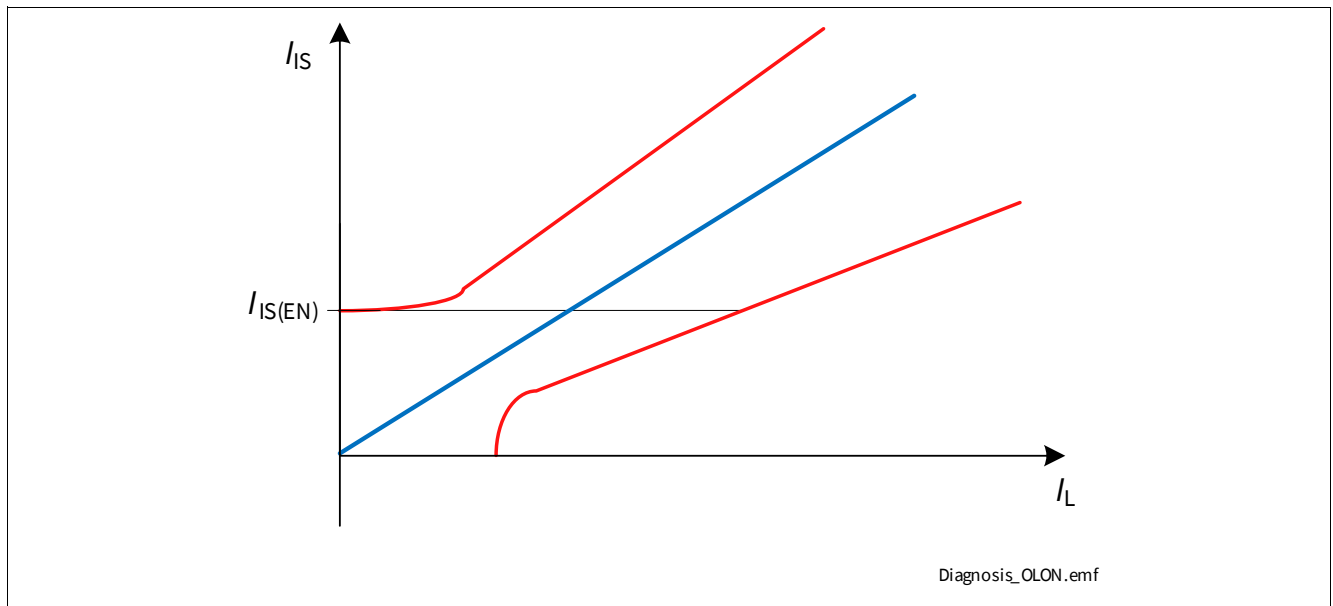


Figure 33 Current Sense Ratio in Open Load at ON condition

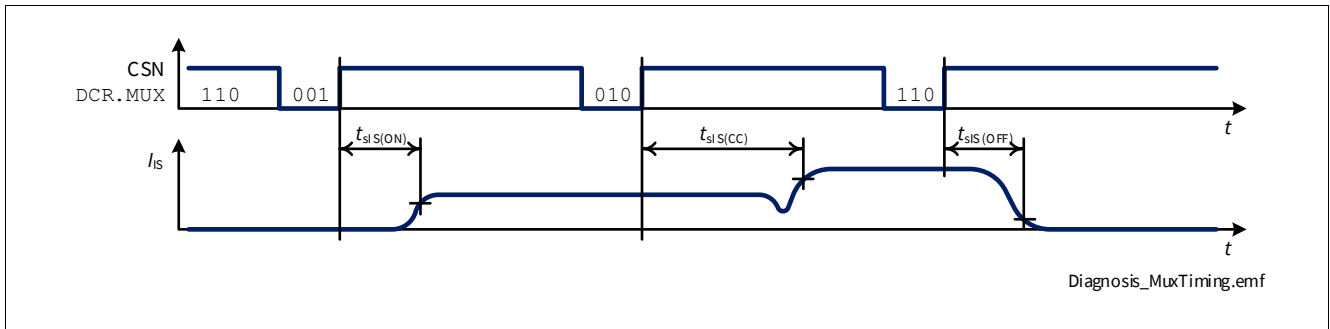
### 9.3.2 Current Sense Multiplexer

There is a current sense multiplexer implemented in the BTS71040-4ESE that routes the sense current of the selected channel to the diagnosis pin IS. The channel is selected via SPI register **DCR.MUX**. The sense current can also be disabled by SPI register **DCR.MUX**. For details on timing of the current sense multiplexer, refer to **Figure 34**. In addition **DCR.MUX** is used in combination with other SPI bits to address further functions of the device. To verify the function of the current sensing path in ON and OFF state, the device offers a sense verification mode. In this mode a predefined current  $I_{IS(VER)}$  is provided on the current sense pin independent on the load condition of any channel. This enables the microcontroller to verify the sense path at any time. The sense verification mode is enabled when **DCR.MUX** = 101<sub>B</sub>.

All commands and functions involving the **DCR.MUX** bits are listed below:

- The main function of **DCR.MUX** is to switch the current sense multiplexer
- Executing **PCS.CLCS** = 1<sub>B</sub> clears the counter and latches OFF the channel selected by **DCR.MUX**
- Executing **PCS.SRCS** = 1<sub>B</sub> the slew rate of the channel selected by **DCR.MUX** will be changed. See **Chapter 7.4.1** for further information
- When reading **RCS.RCSn** bits, the status of the internal counter of the channel selected by **DCR.MUX** is responded
- When setting **DCR.MUX** = 101<sub>B</sub> the sense verification mode is enabled
- When setting **PCS.SRCS** = 1b, the slew rate of the channel selected by **DCR.MUX** will be adjusted

**Diagnosis**



**Figure 34 Current Sense Multiplexer Timings**

**9.4 Diagnosis in OFF state**

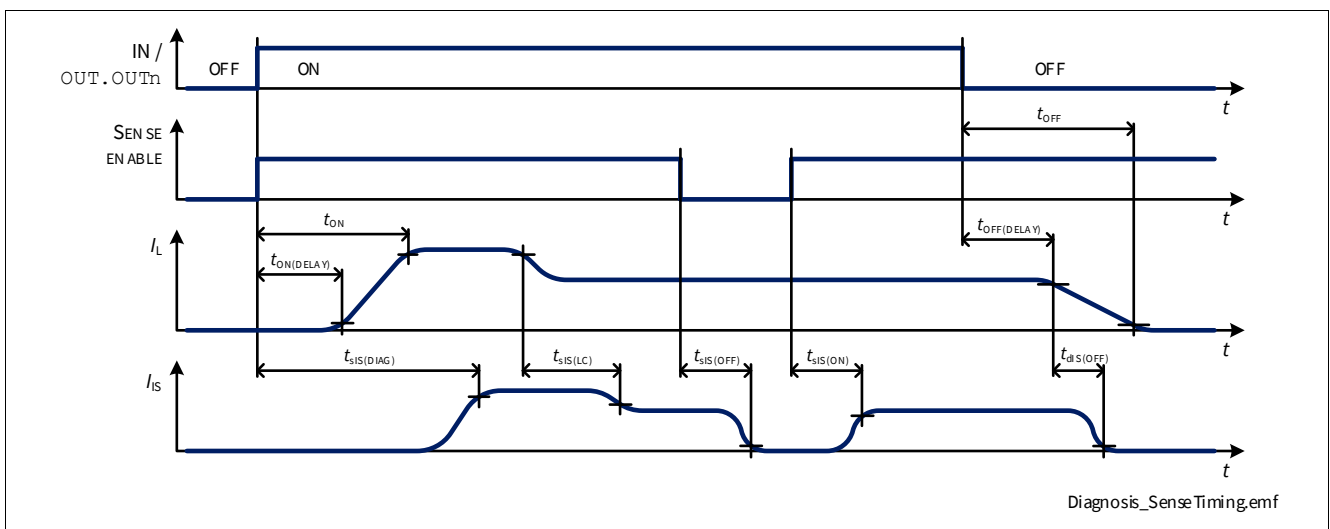
When a power output stage is in OFF state, the BTS71040-4ESE can measure the output voltage and compare it with a threshold voltage. In this way, using some additional external components (a pull-down resistor and a switchable pull-up current source), it is possible to detect if the load is missing or if there is a short circuit to battery.

**9.4.1 Switch Bypass Monitor**

To detect short circuit to  $V_S$ , there is a switch bypass monitor implemented. In case of short circuit between the output pin OUT and  $V_S$  in ON state, the current flows through the power transistor as well as through the short circuit (bypass) with undefined share between the two. As a result, the current sense signal shows lower values than expected by the load current. In OFF state, the output voltage remains close to  $V_S$  potential which leads to a small  $V_{DS}$ . The switch bypass monitor compares the threshold  $V_{DS(SB)}$  with the voltage  $V_{DS}$  across the power transistor of that channel which is selected by the current sense multiplexer (DCR.MUX). The result of the comparison can be read in the standard diagnosis **STDDIAG.SBM**. In addition the switch bypass monitor can be used to detect an Open Load in OFF state. In this case a switchable pull-up resistor has to be placed to pull the OUT to  $V_S$  potential.

**9.5 SENSE Timings**

**Figure 35** shows the timing during settling  $t_{sIS(ON)}$  and disabling  $t_{sIS(OFF)}$  of the SENSE (including the case of load change). As a proper signal cannot be established before the load current is stable (therefore before  $t_{ON}$ ),  $t_{sIS(DIAG)} = t_{sIS(ON)} + t_{ON}$ .



**Figure 35 SENSE Settling / Disabling Timing**

**Diagnosis**

**9.6 Electrical Characteristics Diagnosis**

$V_{DD} = 3.0\text{ V to }5.5\text{ V}$ ,  $V_S = 6\text{ V to }18\text{ V}$ ,  $T_J = -40\text{ °C to }+150\text{ °C}$

Typical values:  $V_{DD} = 5.0\text{ V}$ ,  $V_S = 13.5\text{ V}$ ,  $T_J = 25\text{ °C}$

Typical resistive loads connected to the outputs for testing (unless otherwise specified):

27W output:  $R_L = 4.8\ \Omega$

**Table 22 Electrical Characteristics: Diagnosis - General**

Parameter	Symbol	Values			Unit	Note or Test Condition	Number
		Min.	Typ.	Max.			
SENSE Saturation Current	$I_{IS(SAT)}$	4.2	–	15	mA	1) $R_{SENSE} = 1.2\text{ k}\Omega$	P_9.6.0.12
SENSE Leakage Current when Disabled	$I_{IS(OFF)}$	–	0.01	0.5	$\mu\text{A}$	$I_L \geq I_{L(NOM)}$ $V_{IS} = 0\text{ V}$ <b>DCR . MUX</b> = 110 <sub>B</sub>	P_9.6.0.2
SENSE Leakage Current when Enabled at $T_J \leq 85\text{ °C}$	$I_{IS(EN)_85}$	–	0.2	1	$\mu\text{A}$	1) $T_J \leq 85\text{ °C}$ <b>DCR . MUX</b> $\neq$ <110 <sub>B</sub> , 111 <sub>B</sub> > See <b>Figure 33</b>	P_9.6.0.3
SENSE Leakage Current when Enabled at $T_J = 150\text{ °C}$	$I_{IS(EN)_150}$	–	1	2	$\mu\text{A}$	$T_J = 150\text{ °C}$ <b>DCR . MUX</b> $\neq$ <110 <sub>B</sub> , 111 <sub>B</sub> > See <b>Figure 33</b>	P_9.6.0.11
SENSE Operative Range for $k_{ILIS}$ Operation ( $V_S - V_{IS}$ )	$V_{SIS_k}$	–	0.5	1	V	1) $V_S = 6\text{ V}$  INx = “high” or <b>OUT . OUTn</b> = 1 <sub>B</sub> $I_L \leq 2 * I_{L(NOM)}$	P_9.6.0.6
Power Supply to IS Pin Clamping Voltage at $T_J = -40\text{ °C}$	$V_{SIS(CLAMP)_{-40}}$	33	36.5	42	V	$I_{IS} = 1\text{ mA}$ $T_J = -40\text{ °C}$ See <b>Figure 20</b>	P_9.6.0.9
Power Supply to IS Pin Clamping Voltage at $T_J \geq 25\text{ °C}$	$V_{SIS(CLAMP)_{25}}$	35	38	44	V	2) $I_{IS} = 1\text{ mA}$ $T_J \geq 25\text{ °C}$ See <b>Figure 20</b>	P_9.6.0.10

1) Not subject to production test - specified by design.

2) Tested at  $T_J = 150\text{ °C}$ .

**Diagnosis**

**9.6.1 Electrical Characteristics Diagnosis - SPOC™**

**Table 23 Electrical Characteristics: Diagnosis - Thresholds, Timings**

Parameter	Symbol	Values			Unit	Note or Test Condition	Number
		Min.	Typ.	Max.			
Switch Bypass Monitor Threshold	$V_{DS(SB)}$	1.3	1.9	2.5	V	OFF state	P_9.6.2.1
SENSE Settling Time with Nominal Load Current Stable	$t_{SIS(ON)}$	–	8	20	μs	$V_S = 13.5\text{ V}$ $I_L = I_{L(NOM)}$ <b>DCR . MUX:</b> 110 <sub>B</sub> → 001 <sub>B</sub>	P_9.6.2.2
SENSE Settling Time with Small Load Current Stable	$t_{SIS(ON)_SLC}$	–	–	60	μs	<sup>2)</sup> $V_S = 13.5\text{ V}$ $I_L = I_{L(CAL)_OL}$ <b>DCR . MUX:</b> 110 <sub>B</sub> → 001 <sub>B</sub>	P_9.6.2.10
SENSE Settling Time after Channel Change	$t_{SIS(CC)}$	–	–	20	μs	<sup>1)</sup> $V_S = 13.5\text{ V}$ $I_L = I_{L(NOM)}$ <b>DCR . MUX:</b> 001 <sub>B</sub> → 010 <sub>B</sub>	P_9.6.2.4
SENSE Settling Time after Channel Change with Small Load Current	$t_{SIS(CC)_SLC}$	–	–	60	μs	<sup>2)</sup> $V_S = 13.5\text{ V}$ Start channel: $I_L = I_{L(CAL)}$ End channel: $I_L = I_{L(CAL)_OL}$ <b>DCR . MUX:</b> 001 <sub>B</sub> → 010 <sub>B</sub>	P_9.6.2.11
SENSE Disable Time	$t_{SIS(OFF)}$	–	–	20	μs	<sup>1)</sup> $V_S = 13.5\text{ V}$ $I_L = I_{L(NOM)}$ <b>DCR . MUX:</b> 010 <sub>B</sub> → 110 <sub>B</sub>	P_9.6.2.5
SENSE Settling Time after Load Change	$t_{SIS(LC)}$	–	–	20	μs	<sup>2)</sup>	P_9.6.2.6
SENSE Settling Time after Load Change with Small Load Current	$t_{SIS(LC)_SLC}$	–	250	400	μs	<sup>2)</sup> $V_S = 13.5\text{ V}$ from $I_L = I_{L(CAL)}$ to $I_L = I_{L(CAL)_OL}$	P_9.6.2.12
SENSE Disable Time after Channel Deactivation	$t_{DIS(OFF)}$	–	–	20	μs	<sup>2)</sup>	P_9.6.2.7
SENSE Current in Sense Verification Mode	$I_{IS(VER)}$	400	500	600	μA	<b>DCR . MUX =</b> 101 <sub>B</sub>	P_9.6.2.8

1) Production test for functionality within parameter limits.

2) Not subject to production test - specified by design.



**Diagnosis**

**9.7 Electrical Characteristics Diagnosis - Power Output Stages**

$V_{DD} = 3.0\text{ V to }5.5\text{ V}$ ,  $V_S = 6\text{ V to }18\text{ V}$ ,  $T_J = -40\text{ °C to }+150\text{ °C}$

Typical values:  $V_{DD} = 5.0\text{ V}$ ,  $V_S = 13.5\text{ V}$ ,  $T_J = 25\text{ °C}$

Typical resistive loads connected to the outputs for testing (unless otherwise specified):

27W output:  $R_L = 4.8\ \Omega$

**9.7.1 Diagnosis Power Output Stage 27 W Channels**

**Table 24 Electrical Characteristics: Diagnosis - 27 W channels - high range<sup>1)</sup>**

Parameter	Symbol	Values			Unit	Note or Test Condition	Number
		Min.	Typ.	Max.			
Open Load Output Current at $I_{IS} = 4\ \mu\text{A}$	$I_{L(OL)\_4u}$	2	7	15	mA	<sup>2)</sup> $I_{IS} = I_{IS(OL)} = 4\ \mu\text{A}$	P_9.7.16.1
Current Sense Ratio at $I_L = I_{L01}$	$k_{ILIS01}$	-65%	2000	+65%		<sup>2)</sup> $I_{L01} = 10\text{ mA}$	P_9.7.16.3
Current Sense Ratio at $I_L = I_{L03}$	$k_{ILIS03}$	-60%	2000	+60%		<sup>2)</sup> $I_{L03} = 30\text{ mA}$	P_9.7.16.5
Current Sense Ratio at $I_L = I_{L05}$	$k_{ILIS05}$	-55%	2000	+55%		<sup>2)</sup> $I_{L05} = 100\text{ mA}$	P_9.7.16.7
Current Sense Ratio at $I_L = I_{L07}$	$k_{ILIS07}$	-45%	2000	+45%		<sup>2)</sup> $I_{L07} = 250\text{ mA}$	P_9.7.16.9
Current Sense Ratio at $I_L = I_{L10}$	$k_{ILIS10}$	-24%	2000	+24%		$I_{L10} = 1\text{ A}$	P_9.7.16.12
Current Sense Ratio at $I_L = I_{L12}$	$k_{ILIS12}$	-8%	2000	+8%		$I_{L12} = 2\text{ A}$	P_9.7.16.14
Current Sense Ratio at $I_L = I_{L15}$	$k_{ILIS15}$	-8%	2000	+8%		$I_{L15} = 5.5\text{ A}$	P_9.7.16.17
SENSE Current Derating with Low Current Calibration	$\Delta k_{ILIS(OL)}$	-30	0	+30	%	<sup>2)3)</sup> $I_{L(CAL)\_OL} = I_{L03}$ $I_{L(CAL)\_OL\_H} = I_{L05}$ $I_{L(CAL)\_OL\_L} = I_{L01}$ $T_{A(CAL)} = 25\text{ °C}$	P_9.7.16.37
SENSE Current Derating with Nominal Current Calibration	$\Delta k_{ILIS(NOM)}$	-9	0	+9	%	<sup>3)</sup> $I_{L(CAL)} = I_{L12}$ $I_{L(CAL)\_H} = I_{L15}$ $I_{L(CAL)\_L} = I_{L10}$ $T_{A(CAL)} = 25\text{ °C}$	P_9.7.16.38

- 1) Parameter valid only if **KRC . KRCn** = 0<sub>B</sub>.
- 2) Parameter valid only if **PCS . PCCn** = 0<sub>B</sub>.
- 3) Not subject to production test - specified by design.

**Diagnosis**

**Table 25 Electrical Characteristics: Diagnosis - 27 W channels - low range<sup>1)</sup>**

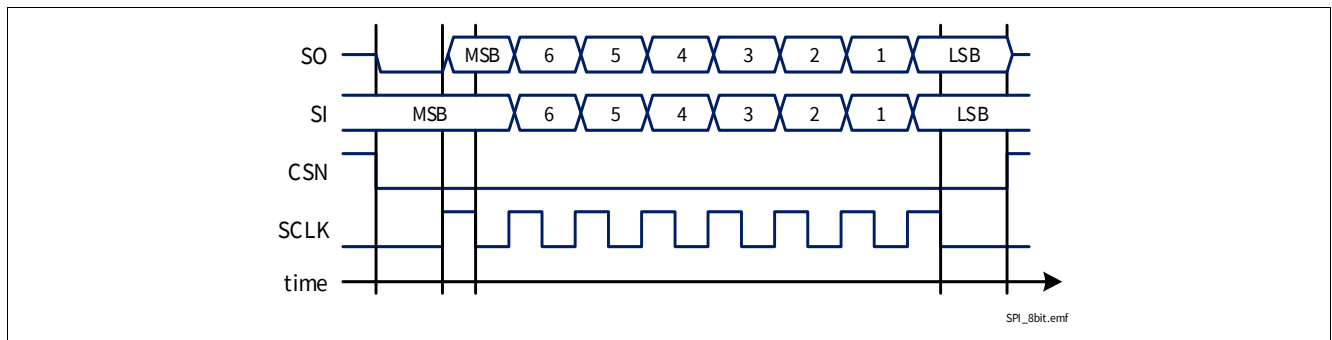
Parameter	Symbol	Values			Unit	Note or Test Condition	Number
		Min.	Typ.	Max.			
Open Load Output Current at $I_{IS} = 4 \mu\text{A}$	$I_{L(OL)\_4\mu}$	0.5	3.2	6	mA	<sup>2)3)</sup> $I_{IS} = I_{IS(OL)} = 4 \mu\text{A}$	P_9.7.16.18
Current Sense Ratio at $I_L = I_{L00}$	$k_{ILIS00}$	-65%	660	+65%		<sup>2)3)</sup> $I_{L00} = 5 \text{ mA}$	P_9.7.16.19
Current Sense Ratio at $I_L = I_{L01}$	$k_{ILIS01}$	-60%	660	+60%		<sup>2)3)</sup> $I_{L01} = 10 \text{ mA}$	P_9.7.16.20
Current Sense Ratio at $I_L = I_{L03}$	$k_{ILIS03}$	-55%	660	+55%		<sup>2)3)</sup> $I_{L03} = 30 \text{ mA}$	P_9.7.16.23
Current Sense Ratio at $I_L = I_{L05}$	$k_{ILIS05}$	-45%	660	+45%		<sup>2)3)</sup> $I_{L05} = 100 \text{ mA}$	P_9.7.16.26
Current Sense Ratio at $I_L = I_{L07}$	$k_{ILIS07}$	-30%	660	+30%		<sup>2)3)</sup> $I_{L07} = 250 \text{ mA}$	P_9.7.16.29
Current Sense Ratio at $I_L = I_{L08}$	$k_{ILIS08}$	-20%	660	+20%		<sup>3)</sup> $I_{L08} = 450 \text{ mA}$	P_9.7.16.31
Current Sense Ratio at $I_L = I_{L10}$	$k_{ILIS10}$	-8%	660	+8%		<sup>3)</sup> $I_{L10} = 1 \text{ A}$	P_9.7.16.33
Current Sense Ratio at $I_L = I_{L12}$	$k_{ILIS12}$	-8%	660	+8%		<sup>3)</sup> $I_{L12} = 2 \text{ A}$	P_9.7.16.35
SENSE Current Derating with Low Current Calibration	$\Delta k_{ILIS(OL)}$	-30	0	+30	%	<sup>2)4)</sup> $I_{L(CAL)\_OL} = I_{L01}$ $I_{L(CAL)\_OL\_H} = I_{L03}$ $I_{L(CAL)\_OL\_L} = I_{L00}$ $T_{A(CAL)} = 25 \text{ }^\circ\text{C}$	P_9.7.16.39
SENSE Current Derating with Nominal Current Calibration	$\Delta k_{ILIS(NOM)}$	-9	0	+9	%	<sup>2)4)</sup> $I_{L(CAL)} = I_{L10}$ $I_{L(CAL)\_H} = I_{L12}$ $I_{L(CAL)\_L} = I_{L08}$ $T_{A(CAL)} = 25 \text{ }^\circ\text{C}$	P_9.7.16.40

- 1) Parameter valid only if **KRC . KRCn** = 1<sub>B</sub>.
- 2) Parameter valid only if **PCS . PCCn** = 0<sub>B</sub>.
- 3)  $k_{ILIS}$  accuracy valid if 1  $\mu\text{s}$  RC filter is placed at ADC input.
- 4) Not subject to production test - specified by design.

**Serial Peripheral Interface (SPI)**

**10 Serial Peripheral Interface (SPI)**

The serial peripheral interface (SPI) is a full duplex synchronous serial slave interface, which uses four lines: SO, SI, SCLK and CSN. Data is transferred by the lines SI and SO at the rate given by SCLK. The falling edge of CSN indicates the beginning of an access. Data is sampled-in on line SI at the falling edge of SCLK and shifted out on line SO at the rising edge of SCLK. Each access must be terminated by a rising edge of CSN. A modulo 8 counter ensures that data is taken only when a multiple of 8 bit has been transferred. The interface provides daisy chain capability with modulo 8 bit SPI devices.



**Figure 36 Serial Peripheral Interface**

**10.1 SPI Signal Description**

**CSN - Chip Select Negated**

The system microcontroller selects the BTS71040-4ESE by means of the CSN pin. Whenever the pin is in “low” state, data transfer can take place. When CSN is in “high” state, any signals at the SCLK and SI pins are ignored and SO is forced into a “high impedance” state.

**CSN “high” to “low” Transition**

- The requested information is transferred into the shift register.
- SO changes from “high impedance” state to “low” state.

**CSN “low” to “high” Transition**

- Command decoding is only done, when after the falling edge of CSN exactly a multiple (1, 2, 3, ...) of eight SCLK signals have been detected. In case of an incorrect SCLK count, the transmission error flag (**STDDIAG.TER**) is set and the command is ignored.
- Data from shift register is transferred into the addressed register.

**SCLK - Serial Clock**

This input pin clocks the internal shift register. The serial input (SI) transfers data into the shift register on the falling edge of SCLK while the serial output (SO) shifts diagnostic information out on the rising edge of the serial clock. It is essential that the SCLK pin is in “low” state whenever chip select CSN makes any transition, otherwise the command may not be accepted.

**SI - Serial Input**

Serial input data bits are shifted in at this pin, the most significant bit first. SI information is read on the falling edge of SCLK. The input data consists of two parts, control bits followed by data bits. Please refer to [Chapter 10.5](#) for further information.

**Serial Peripheral Interface (SPI)**

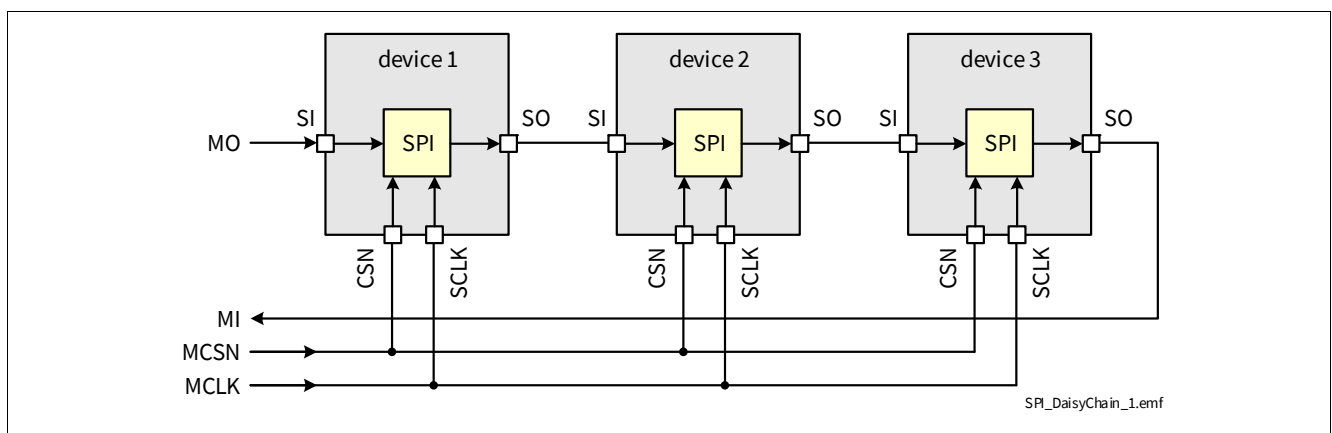
**SO Serial Output**

Data is shifted out serially at this pin, the most significant bit first. SO is in “high impedance” state until the CSN pin goes to “low” state. New data will appear at the SO pin following the rising edge of SCLK.

Please refer to [Chapter 10.5](#) for further information.

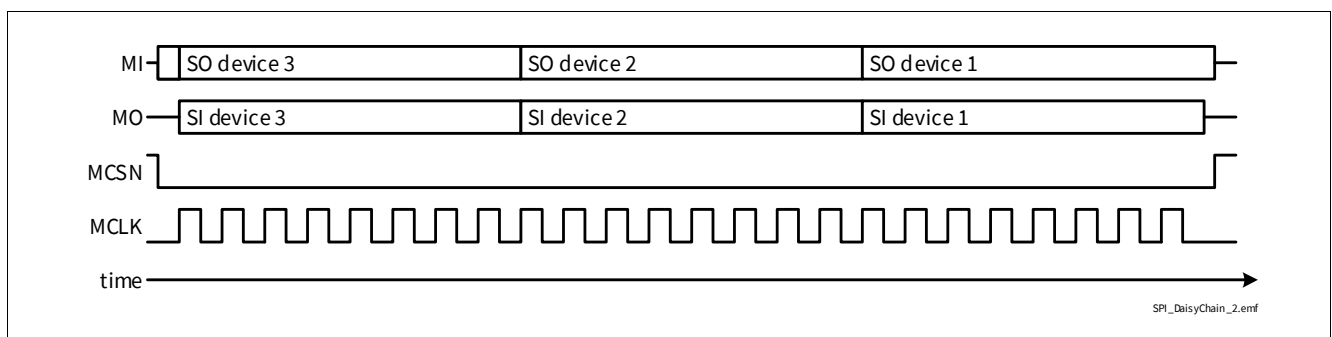
**10.2 Daisy Chain Capability**

The SPI of BTS71040-4ESE provides daisy chain capability for modulo 8 bit SPI devices. In this configuration several devices are activated by the same CSN signal MCSN. The SI line of one device is connected with the SO line of another device (see [Figure 37](#)), in order to build a chain. The end of the chain is connected to the output and input of the master device, MO and MI respectively. The master device provides the master clock MCLK which is connected to the SCLK line of each device in the chain.



**Figure 37 Daisy Chain Configuration**

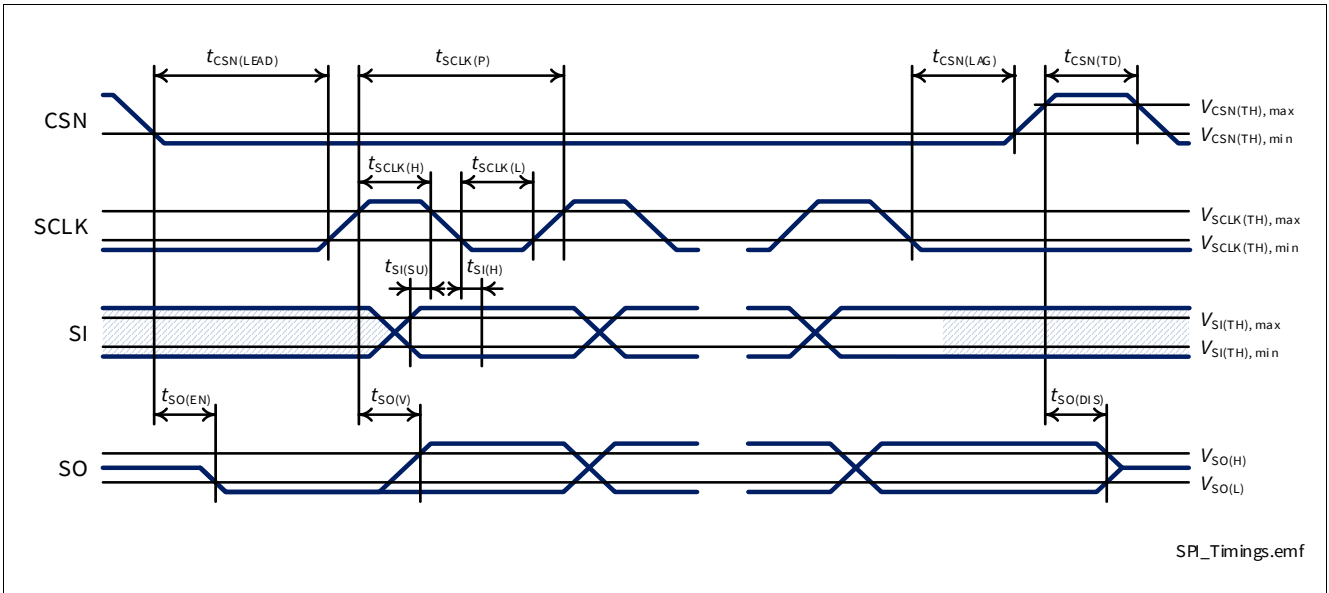
In the SPI block of each device, there is one shift register where each bit from SI line is shifted in each SCLK. The bit is shifted out on SO pin. After eight SCLK cycles, the data transfer for one device is finished. In single chip configuration, the CSN line must turn “high” to make the device acknowledge the transferred data. In daisy chain configuration, the data shifted out at device 1 has been shifted into device 2. When using three devices in daisy chain, three times 8 bits have to be shifted through the devices. After that, the MCSN line must turn “high” (see [Figure 38](#)).



**Figure 38 Data Transfer in Daisy Chain Configuration**

**Serial Peripheral Interface (SPI)**

**10.3 Timing Diagrams**



**Figure 39 Timing Diagram SPI Access**

**Serial Peripheral Interface (SPI)**

**10.4 Electrical Characteristics**

$V_{DD} = 3.0\text{ V to }5.5\text{ V}$ ,  $V_S = 6\text{ V to }18\text{ V}$ ,  $T_J = -40\text{ °C to }+150\text{ °C}$

Typical values:  $V_{DD} = 4.3\text{ V}$ ,  $V_S = 13.5\text{ V}$ ,  $T_J = 25\text{ °C}$

**Table 26 Electrical Characteristics Serial Peripheral Interface (SPI)**

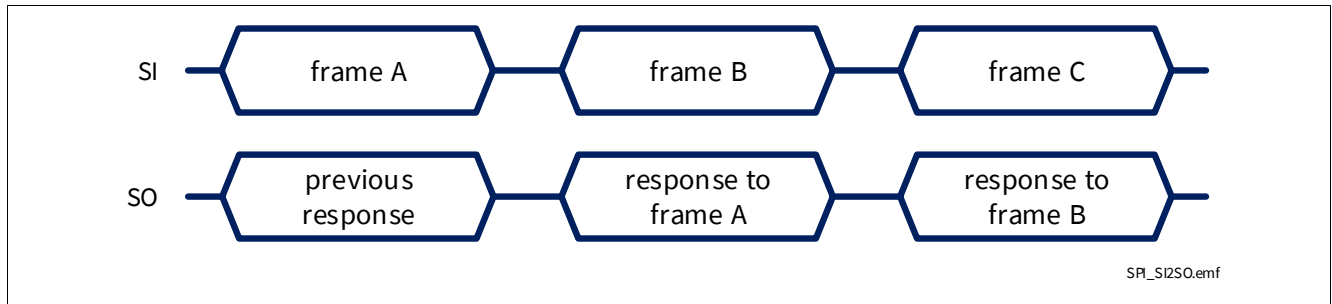
Parameter	Symbol	Values			Unit	Note or Test Condition	Number
		Min.	Typ.	Max.			
<b>Timings</b>							
Enable Lead Time (falling CSN to rising SCLK)	$t_{CSN(LEAD)}$	200	–	–	ns	<sup>1)</sup>	P_10.4.0.1
Enable Lag Time (falling SCLK to rising CSN)	$t_{CSN(LAG)}$	200	–	–	ns	<sup>1)</sup>	P_10.4.0.2
Transfer Delay Time (rising CSN to falling CSN)	$t_{CSN(TD)}$	500	–	–	ns	<sup>1)</sup>	P_10.4.0.3
Output Enable Time (falling CSN to SO valid)	$t_{SO(EN)}$	–	30	100	ns	<sup>1)</sup> $C_{L(SO)} = 50\text{ pF}$	P_10.4.0.4
Output Disable Time (rising CSN to SO tristate)	$t_{SO(DIS)}$	–	30	100	ns	<sup>1)</sup> $C_{L(SO)} = 50\text{ pF}$	P_10.4.0.5
Serial Clock Frequency	$f_{SCLK}$	0	–	5	MHz	<sup>1)</sup>	P_10.4.0.6
Serial Clock Period	$t_{SCLK(P)}$	200	–	–	ns	<sup>1)</sup>	P_10.4.0.7
Serial Clock “High” Time	$t_{SCLK(H)}$	90	–	–	ns	<sup>1)</sup>	P_10.4.0.8
Serial Clock “Low” Time	$t_{SCLK(L)}$	90	–	–	ns	<sup>1)</sup>	P_10.4.0.9
Data Setup Time (required Time SI to falling SCLK)	$t_{SI(SU)}$	20	–	–	ns	<sup>1)</sup>	P_10.4.0.10
Data Hold Time (falling SCLK to SI)	$t_{SI(H)}$	20	–	–	ns	<sup>1)</sup>	P_10.4.0.11
Output Data Valid Time with Capacitive Load	$t_{SO(V)}$	–	–	60	ns	<sup>1)</sup> $C_{L(SO)} = 50\text{ pF}$	P_10.4.0.12

1) Not subject to production test - specified by design.

**Serial Peripheral Interface (SPI)**

**10.5 SPI Protocol**

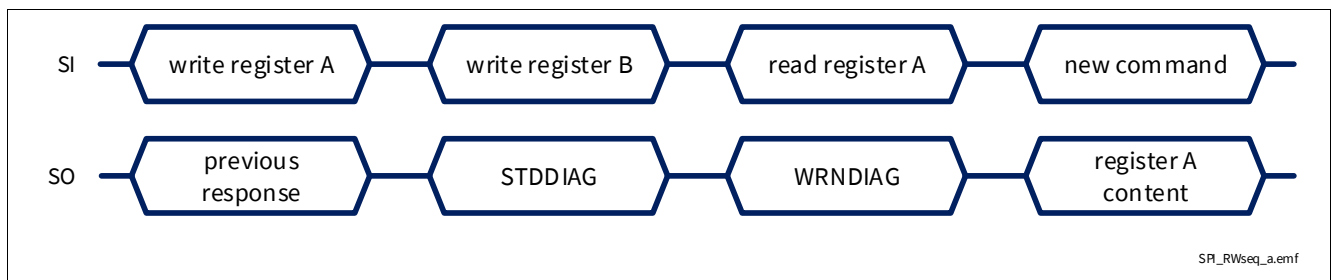
The relationship between SI and SO content during SPI communication is shown in **Figure 40**. SI line represents the frame sent from the  $\mu\text{C}$  and SO line is the answer provided by BTS71040-4ESE. The “previous response” means that the frame sent back depends on the command frame sent from the  $\mu\text{C}$  before.



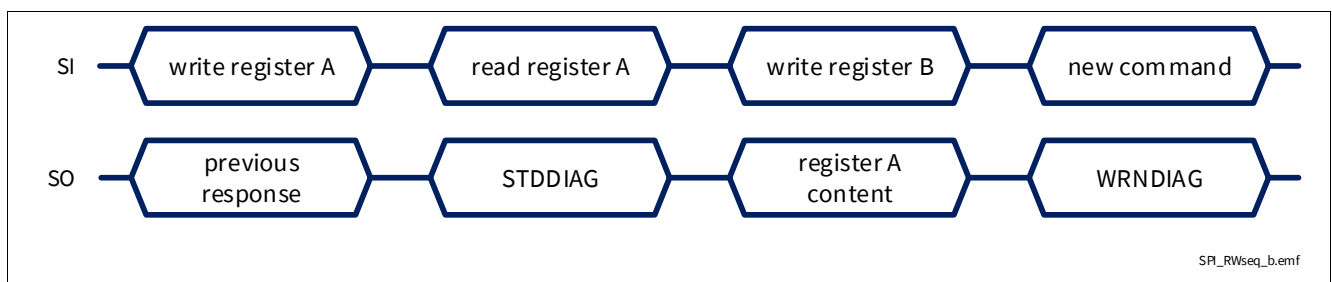
**Figure 40 Relationship between SI and SO during SPI communication**

The SPI protocol provides the answer to a command frame only with the next transmission triggered by the  $\mu\text{C}$ . The responses of write commands are deterministic and can be decoded as STDDIAG or WRNDIAG frame. For responses of read commands previous transmission has to be considered for decoding.

More in detail, the sequence of commands to “read” and “write” the content of a register will look as follows:



**Figure 41 Register content sent back to  $\mu\text{C}$  (a)**

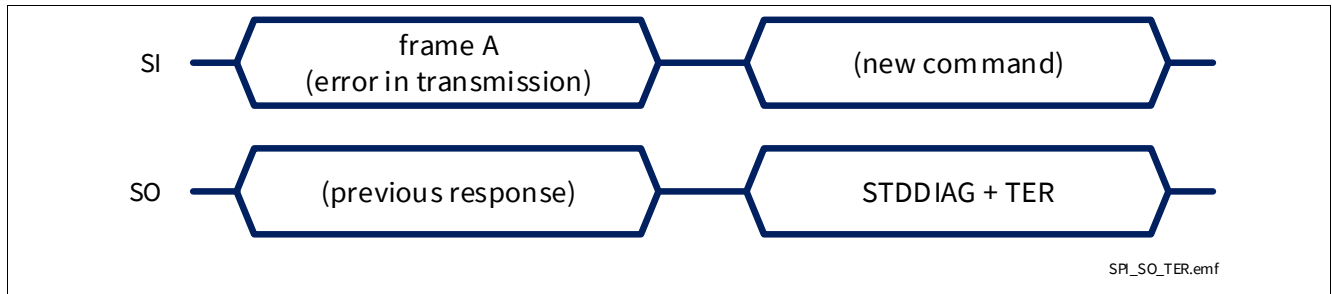


**Figure 42 Register content sent back to  $\mu\text{C}$  (b)**

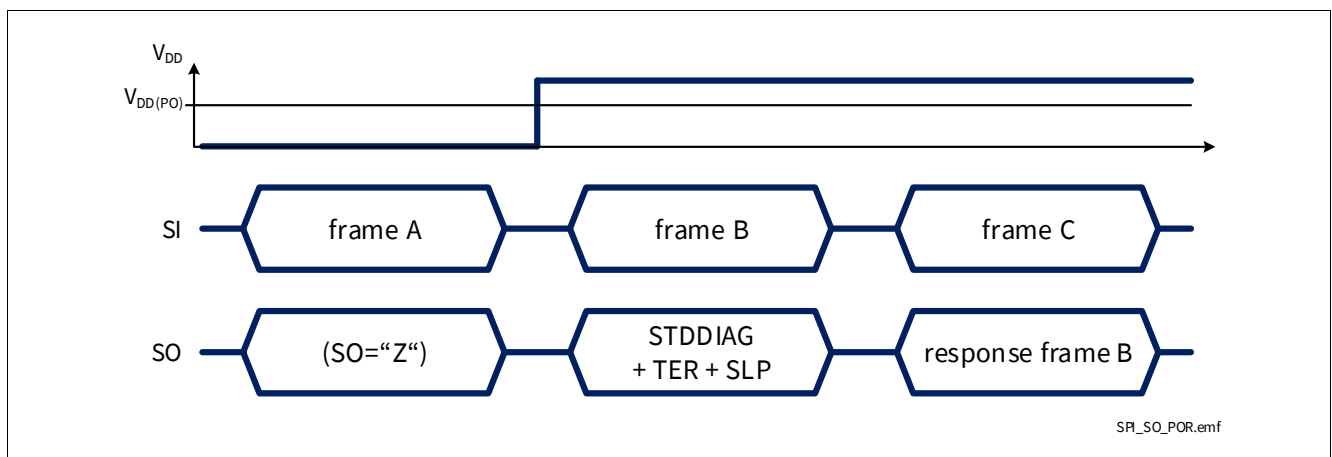
There are 3 special situations where the frame sent back to the  $\mu\text{C}$  doesn't depend on the previous received frame:

- In case an error in transmission happened during the previous frame (for instance, the clock pulses were not multiple of 8), shown in **Figure 43**
- When BTS71040-4ESE digital supply comes out of Power-On reset condition, as shown in **Figure 44**
- When  $V_S < V_{S(TP)}$  and  $\text{DCR.MUX} \neq 111_B$ , as shown in **Figure 45**

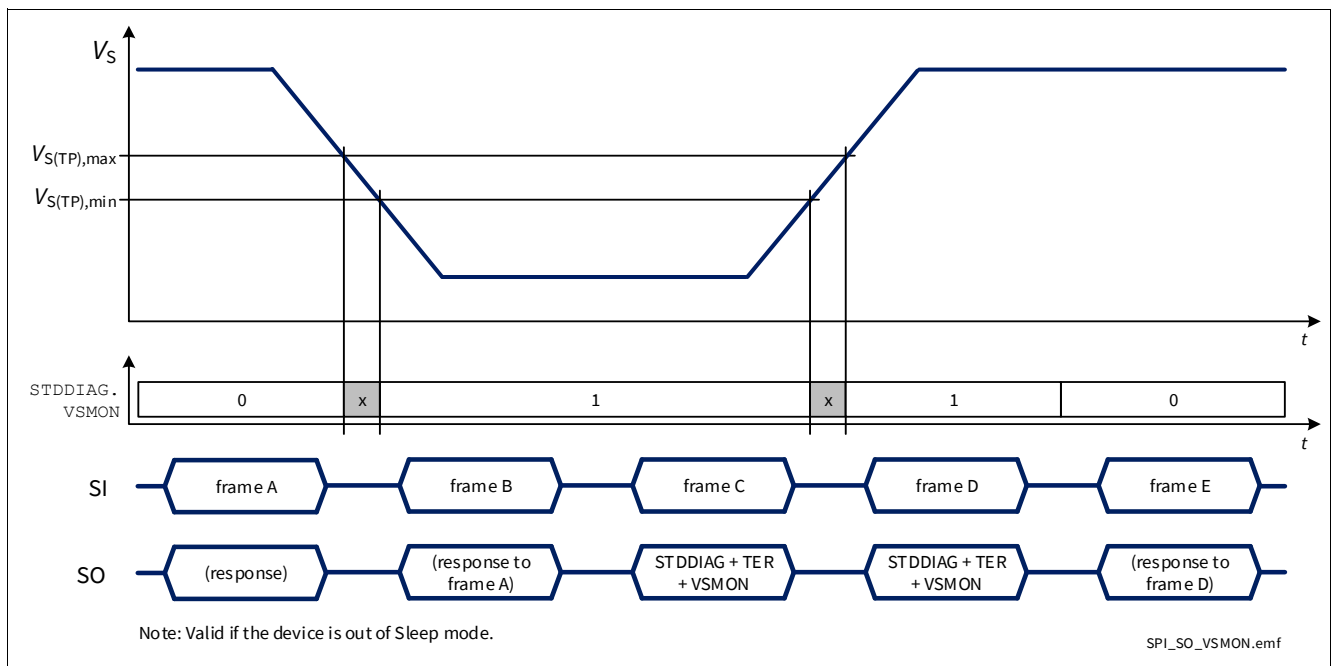
**Serial Peripheral Interface (SPI)**



**Figure 43 SPI response after an error in transmission**



**Figure 44 SPI response after coming out of Power-On reset at  $V_{DD}$**



**Figure 45 SPI response in case of voltage drop on battery**

A summary of all possible SPI commands is presented in [Table 27](#), including the answer that BTS71040-4ESE will send back at the next transmission.



**Serial Peripheral Interface (SPI)**

**Table 27 SPI Command Summary**

<b>Requested Operation</b>	<b>Frame sent to SPOC™ (SI pin)</b>	<b>Frame received from SPOC™ (SO pin) with the next command</b>
Write <b>OUT</b> register <b>DCR.SWR</b> = $x_B$	100dddd <sub>B</sub> where: “dddd <sub>B</sub> ” = new <b>OUT</b> register content	00dddd <sub>B</sub> - STDDIAG or 01dddd <sub>B</sub> - WRNDIAG (Standard Diagnosis or Warning Diagnosis will be sent alternating)
Read <b>OUT</b> register	0xxxxaaa <sub>B</sub> where: “aaa <sub>B</sub> ” = ADDR1 <sup>1)</sup> (“x <sub>B</sub> ” = don't care)	100dddd <sub>B</sub> (“dddd <sub>B</sub> ” = <b>OUT</b> register content)
Read <b>RCS</b> register	0xxxxaaa <sub>B</sub> where: “aaa <sub>B</sub> ” = ADDR1 <sup>1)</sup> (“x <sub>B</sub> ” = don't care)	1000ddd <sub>B</sub> (“ddd <sub>B</sub> ” = <b>RCS</b> register content)
Write Configuration registers	11aadd <sub>B</sub> where: “aa <sub>B</sub> ” = ADDR0 <sup>1)</sup> “ddd <sub>B</sub> ” = new register content	00dddd <sub>B</sub> - STDDIAG 01dddd <sub>B</sub> - WRNDIAG (Standard Diagnosis or Warning Diagnosis will be sent alternating)
Read Configuration registers	0xxxxaaa <sub>B</sub> where: “aaa <sub>B</sub> ” = ADDR1 <sup>1)</sup> (“x <sub>B</sub> ” = don't care)	11aadd <sub>B</sub> where: “aa <sub>B</sub> ” = ADDR0 <sup>1)</sup> “ddd <sub>B</sub> ” = register content
Read Warning Diagnosis	0xxxx001 <sub>B</sub> (“x <sub>B</sub> ” = don't care)	0100ddd <sub>B</sub> - WRNDIAG (Warning Diagnosis)
Read Standard Diagnosis	0xxxx010 <sub>B</sub> (“x <sub>B</sub> ” = don't care)	00dddd <sub>B</sub> - STDDIAG (Standard Diagnosis)
Read Error Diagnosis	0xxxx011 <sub>B</sub> (“x <sub>B</sub> ” = don't care)	0100ddd <sub>B</sub> - ERRDIAG (Error Diagnosis)

1) **ADDR0** and **ADDR1** are defined according to **Table 28**.

Serial Peripheral Interface (SPI)

## 10.6 SPI Diagnosis Registers

### 10.6.1 Diagnosis Registers - Read Commands

Name	7	6	5	4	3	2	1	0
WRNDIAG	0	x	x	x	0	0	0	1
STDDIAG	0	x	x	x	0	0	1	0
ERRDIAG	0	x	x	x	0	0	1	1

### 10.6.2 Diagnosis Registers - Responses

Name	7	6	5	4	3	2	1	0	Default
WRNDIAG	0	1	0	0	WRNDIAG.WRNn				40 <sub>H</sub>
STDDIAG	0	0	STDDIAG.TER	STDDIAG.CSV	STDDIAG.LHI	STDDIAG.SLP	STDDIAG.SBM	STDDIAG.VSMON	24 <sub>H</sub>
ERRDIAG	0	1	0	0	ERRDIAG.ERRn				40 <sub>H</sub>

Field	Bits	Type	Description
STDDIAG.TER	5	r	<b>Transmission Error</b> 0 <sub>B</sub> Previous transmission was successful (modulo 8 clocks received) 1 <sub>B</sub> (default) Previous transmission failed or first transmission after Power-On reset or $V_S < V_{S(TP)}$ if STDDIAG.VSMON = 1 <sub>B</sub>
STDDIAG.CSV	4	r	<b>Checksum Verification<sup>1)</sup></b> 0 <sub>B</sub> (default) Checksum verification was pass or no checksum calculated 1 <sub>B</sub> Previous checksum verification was fail
STDDIAG.LHI	3	r	<b>Limp Home monitor</b> 0 <sub>B</sub> (default) "Low" level at pin LHI 1 <sub>B</sub> "High" level at pin LHI
STDDIAG.SLP	2	r	<b>Sleep mode monitor</b> 0 <sub>B</sub> Device out of Sleep mode 1 <sub>B</sub> (default) Device is in Sleep mode
STDDIAG.SBM	1	r	<b>Switch Bypass Monitor<sup>2)</sup></b> 0 <sub>B</sub> $V_{DS} < V_{DS(SB)}$ 1 <sub>B</sub> $V_{DS} > V_{DS(SB)}$
STDDIAG.VSMON	0	r	<b>V<sub>S</sub> monitor</b> 0 <sub>B</sub> (default) $V_S$ always $> V_{S(UV)}$ since last Standard Diagnosis readout 1 <sub>B</sub> $V_S < V_{S(UV)}$ at least once or $V_S < V_{S(TP)}$ if STDDIAG.TER = 1 <sub>B</sub>

**Serial Peripheral Interface (SPI)**

Field	Bits	Type	Description
WRNDIAG.WRNn n = 3 to 0	3:0	r	<b>Warning Diagnosis of Channel n</b> 0 <sub>B</sub> (default) No failure 1 <sub>B</sub> Overcurrent, Overtemperature or delta T detected
ERRDIAG.ERRn n = 3 to 0	3:0	r	<b>Error Diagnosis of Channel n</b> 0 <sub>B</sub> (default) No failure 1 <sub>B</sub> Channel latched OFF

- 1) See [Chapter 10.8](#) for details on checksum calculation.
- 2) The switch bypass monitor compares the threshold  $V_{DS(SB)}$  with the voltage  $V_{DS}$  across the power transistor of that channel which is selected by the current sense multiplexer ([DCR.MUX](#)).

### 10.7 SPI Configuration Registers

The following table provides an overview on the registers available and the available address space.

**Table 28 Register Overview**

Name	SWR <sup>1)</sup>	RB	ADDR0	ADDR1	Content
OUT	x/0 <sup>2)</sup>	0	(na)	0000	Output configuration
RCS	1	0	(na)	1000	Restart counter status (read-only)
SRC	1	0	(na)	1001	Slew Rate Control register (read-only)
OCR	0	1	00	0100	Overcurrent threshold configuration
RCD	1	1	00	1100	Restart counter disable
KRC	0	1	01	0101	KILIS range control
PCS	1	1	01	1101	Parallel channel and Slew Rate control
HWCR	0	1	10	0110	Hardware configuration
ICS	1	1	10	1110	Input status & checksum input
DCR	x	1	11	x111	Diagnostic configuration and Swap bit

- 1) [DCR.SWR](#) bit is only changed for write commands. For read commands it is used as part of the read address.
- 2) For writing to [OUT](#) register [DCR.SWR](#) = x, for read address [DCR.SWR](#) = 0<sub>B</sub>.

**Table 29 Configuration Registers - Write Commands RB-0**

Bit		7	6	5	4	3	2	1	0
Name	SWR	7	RB	5	4	3	2	1	0
<a href="#">OUT</a>	x	1	0	0	<a href="#">OUT.OUTn</a> <sup>1)</sup>				

- 1) [OUT.OUT4](#) controls the logic state of EDO pin.

**Table 30 Configuration Registers - Write Commands RB-1**

Bit		7	6	5	4	3	2	1	0
Name	SWR	7	RB	ADDR0		3	2	1	0
<a href="#">OCR</a>	0	1	1	0	0	<a href="#">OCR.OCn</a>			
<a href="#">RCD</a>	1	1	1	0	0	<a href="#">RCD.RCDn</a>			
<a href="#">KRC</a>	0	1	1	0	1	<a href="#">KRC.KRCn</a>			

**Serial Peripheral Interface (SPI)**

**Table 30 Configuration Registers - Write Commands RB-1**

Bit		7	6	5	4	3	2	1	0
Name	SWR	7	RB	ADDR0		3	2	1	0
PCS	1	1	1	0	1	PCS . PCCn		PCS . CLCS	PCS . SRCS
HWCR	0	1	1	1	0	0	HWCR . COL	HWCR . RST	HWCR . CLC
ICS	1	1	1	1	0	ICS . CSRn <sup>1)</sup>			
DCR	x	1	1	1	1	DCR . SWR	DCR . MUX		

1) See [Chapter 10.8](#) for details on checksum calculation.

**Table 31 Configuration Registers - Read Commands**

Bit		7	6	5	4	3	2	1	0
Name		7	6	5	4	ADDR1			
OUT	0		x	x	x	0	0	0	0
RCS	0		x	x	x	1	0	0	0
SRC	0		x	x	x	1	0	0	1
OCR	0		x	x	x	0	1	0	0
RCD	0		x	x	x	1	1	0	0
KRC	0		x	x	x	0	1	0	1
PCS	0		x	x	x	1	1	0	1
HWCR	0		x	x	x	0	1	1	0
ICS	0		x	x	x	1	1	1	0
DCR	0		x	x	x	x	1	1	1

**Serial Peripheral Interface (SPI)**

**Table 32 Configuration Registers - Responses**

Bit	7	6	5	4	3	2	1	0		
Name	7	6	5	4	3	2	1	0	Default	
<b>OUT</b>	1	0	0	<b>OUT . OUTn</b> <sup>1)</sup>						80 <sub>H</sub>
<b>RCS</b>	1	0	0	0	0	<b>RCS . RCSn</b>			80 <sub>H</sub>	
<b>SRC</b>	1	0	0	1	<b>SRC . SRCn</b>				90 <sub>H</sub>	
<b>OCR</b>	1	1	0	0	<b>OCR . OCTn</b>				C0 <sub>H</sub>	
<b>RCD</b>	1	1	0	0	<b>RCD . RCDn</b>				C0 <sub>H</sub>	
<b>KRC</b>	1	1	0	1	<b>KRC . KRCn</b>				D0 <sub>H</sub>	
<b>PCS</b>	1	1	0	1	<b>PCS . PCCn</b>		0	0	D0 <sub>H</sub>	
<b>HWCR</b>	1	1	1	0	0	<b>HWCR . COL</b>	<b>HWCR . SLP</b>	0	E2 <sub>H</sub>	
<b>ICS</b>	1	1	1	0	0	0	<b>ICS . INSTn</b>		E0 <sub>H</sub>	
<b>DCR</b>	1	1	1	1	<b>DCR . SWR</b>	<b>DCR . MUX</b>			F7 <sub>H</sub>	

1) OUT . OUT4 controls the logic state of EDO pin.

Field	Bits	Type	Description
RB	6	rw	<b>Register Bank</b> 0 <sub>B</sub> (default) Read/write to <b>OUT/RCS</b> register 1 <sub>B</sub> Read/write to other registers
OUT . OUTn n = 4 to 0	4:0	rw	<b>Output Control Register of Channel n</b> 0 <sub>B</sub> (default) channel is OFF 1 <sub>B</sub> Channel is ON
RCS . RCSn n = 2 to 0	2:0	r	<b>Restart Counter Status of Channel selected via MUX</b> 000 <sub>B</sub> (default) Restart counter value = 0 001 <sub>B</sub> Restart counter value = 1 010 <sub>B</sub> Restart counter value = 2 011 <sub>B</sub> Restart counter value = 3 100 <sub>B</sub> Restart counter value = 4 101 <sub>B</sub> Restart counter value = 5 110 <sub>B</sub> Restart counter value = 6 111 <sub>B</sub> Restart counter value = 7
SRC . SRCn n = 3 to 0	3:0	r	<b>Set Slew Rate control for Channel n (read only)</b> 0 <sub>B</sub> (default) Normal Slew Rate 1 <sub>B</sub> Adjusted Slew Rate
OCR . OCTn n = 3 to 0	3:0	rw	<b>Set Overcurrent Level for Channel n</b> 0 <sub>B</sub> (default) High level of overcurrent threshold $I_{L(OVL0)}$ 1 <sub>B</sub> Low level of overcurrent threshold $I_{L(OVL2)}$
RCD . RCDn n = 3 to 0	3:0	rw	<b>Set Restart Strategy for Channel n</b> 0 <sub>B</sub> (default) Automatic restart mode 1 <sub>B</sub> Latch mode
KRC . KRCn n = 3 to 0	3:0	rw	<b>Set Current Sense Ratio Range for Channel n</b> 0 <sub>B</sub> (default) High range of current sense ratio 1 <sub>B</sub> Low range of current sense ratio

**Serial Peripheral Interface (SPI)**

Field	Bits	Type	Description
PCS.SRCS	0	w	<b>Set Slew Rate control for Channel selected by DCR.MUX</b> 0 <sub>B</sub> (default) Normal Slew Rate 1 <sub>B</sub> Adjusted Slew Rate
PCS.CLCS	1	w	<b>Clear Restart Counters and Latches for Channel selected by DCR.MUX</b> 0 <sub>B</sub> (default) Restart counters and latches are untouched 1 <sub>B</sub> Restart counters and latches are reset
PCS.PCCn n = 1 to 0	3:2	rw	<b>Parallel Channel Configuration</b> 00 <sub>B</sub> (default) Channels are operating independent 01 <sub>B</sub> OUT0 + OUT3 are in parallel configuration 10 <sub>B</sub> OUT1 + OUT2 are in parallel configuration 11 <sub>B</sub> OUT0 + OUT3 and OUT1 + OUT2 are in parallel configuration
HWCR.CLC	0	w	<b>Clear Restart Counters and Latches</b> 0 <sub>B</sub> (default) Restart counters and latches are untouched 1 <sub>B</sub> Restart counters and latches are reset for all channels
HWCR.RST	1	w	<b>Reset Command</b> 0 <sub>B</sub> (default) Normal operation 1 <sub>B</sub> Execute reset command
HWCR.SLP	1	r	<b>Sleep Mode</b> 0 <sub>B</sub> Device is awake 1 <sub>B</sub> (default) DCR.MUX = 111 <sub>B</sub>
HWCR.COL	2	rw	<b>Input Combinatorial Logic Configuration</b> 0 <sub>B</sub> (default) Input signal OR-combined with according OUT register bit <sup>1)</sup> 1 <sub>B</sub> Input signal AND-combined with according OUT register bit
ICS.CSRn n = 3 to 0	3:0	w	<b>Checksum Input Register</b> 4 bit Checksum is written to this register
ICS.INSTn n = 1 to 0	1:0	r	<b>Input Status Monitor Channel n</b> 0 <sub>B</sub> (default) Input signal is “low” 1 <sub>B</sub> Input signal is “high”

**Serial Peripheral Interface (SPI)**

Field	Bits	Type	Description
DCR.MUX	2:0	rw	<p><b>Set Current Sense Multiplexer Configuration in OFF state</b></p> <p>000<sub>B</sub> IS pin is “high impedance”            001<sub>B</sub> IS pin is “high impedance”            010<sub>B</sub> IS pin is “high impedance”            011<sub>B</sub> IS pin is “high impedance”            100<sub>B</sub> Diagnosis enable of external driver activated (EDD set to “high”)            101<sub>B</sub> Current sense verification mode            110<sub>B</sub> IS pin is “high impedance”            111<sub>B</sub> Sleep mode (IS pin is “high impedance”)</p> <p><b>Set Multiplexer Configuration in ON state</b></p> <p>000<sub>B</sub> Current sense of channel 0 is routed to IS pin            001<sub>B</sub> Current sense of channel 1 is routed to IS pin            010<sub>B</sub> Current sense of channel 2 is routed to IS pin            011<sub>B</sub> Current sense of channel 3 is routed to IS pin            100<sub>B</sub> Diagnosis enable of external driver activated (EDD set to “high”)            101<sub>B</sub> Current sense verification mode            110<sub>B</sub> IS pin is “high impedance”            111<sub>B</sub> Sleep mode (IS pin is “high impedance”)</p>
DCR.SWR	3	rw	<p><b>Switch Register</b></p> <p>0<sub>B</sub> (default) Registers <b>OUT</b>, <b>OCR</b>, <b>KRC</b>, <b>HWCR</b> and <b>DCR</b> can be written            1<sub>B</sub> Registers <b>OUT</b>, <b>RCD</b>, <b>PCS</b>, <b>ICS</b> and <b>DCR</b> can be written</p>

1) In Limp Home mode (LHI pin set to “high”) the combinatorial logic is switched to OR-mode.

**Serial Peripheral Interface (SPI)**

**10.8 SPI Checksum Verification**

BTS71040-4ESE offers a simple parity check to identify unexpected content or unintended changes of configuration registers. For the checksum calculation a subset of the configuration bits is used, which is expected not to be changed periodically. The checksum calculation is an easy column parity calculation. The configuration bits which are used for the calculation are shown in **Table 34**. The SPI master writes the result to **ICS.CSRn**. After the 4bit checksum is written to **ICS** register, the device is doing once the comparison and the result can be read within the next **STDDIAG** frame in the bit **STDDIAG.CSV**. The **STDDIAG.CSV** bit is cleared with the next **STDDIAG** readout. In case the **ICS** register is not written, the checksum comparison is disabled and the bit **STDDIAG.CSV** = 0<sub>B</sub>. If Limp Home mode is entered after **ICS.CSRn** is written but before **STDDIAG.CSV** is read, the checksum verification is not valid. Same applies in case **STDDIAG.TER** and **STDDIAG.VSMON** are set to 1<sub>B</sub>. In these cases checksum verification result shall be discarded.

**Table 33 Conventions for parity calculation**

Number of '1' in a column	Result with EVEN-parity	Result with ODD-parity
EVEN	0	1
ODD	1	0

**Table 34 Checksum calculation bit matrix**

Name	3	2	1	0
<b>OCR</b>	OCT3	OCT2	OCT1	OCT0
<b>RCD</b>	RCD3	RCD2	RCD1	RCD0
<b>KRC</b>	KRC3	KRC2	KRC1	KRC0
<b>SRC</b>	SRC3	SRC2	SRC1	SRC0
<b>HWCR/PCS</b>	0	COL	PCC	PCC0
Parity	even	odd	even	odd
<b>ICS</b>	CSR3	CSR2	CSR1	CSR0

**Table 35 Checksum calculation bit matrix example**

Name	3	2	1	0
<b>OCR</b>	0	1	0	0
<b>RCD</b>	1	0	0	0
<b>KRC</b>	0	1	1	0
<b>SRC</b>	0	0	1	0
<b>HWCR/PCS</b>	0	0	0	0
Parity	even	odd	even	odd
<b>ICS</b>	1	1	0	1



**Serial Peripheral Interface (SPI)**

**10.9 SPI command quick list**

A summary of the most used SPI commands (read and write operations) is shown in Table 154.

**Table 36 SPI command quick list**

<b>Name</b>	<b>“read” command <sup>1)</sup></b>	<b>“write” command <sup>2)</sup></b>	<b>SWR <sup>3)</sup></b>
<b>OUT</b>	0xxx0000 <sub>B</sub>	10dddddd <sub>B</sub>	x
<b>RCS</b>	0xxx1000 <sub>B</sub>		
<b>SRC</b>	0xxx1001 <sub>B</sub>		
<b>OCR</b>	0xxx0100 <sub>B</sub>	1100dddd <sub>B</sub>	0
<b>RCD</b>	0xxx1100 <sub>B</sub>	1100dddd <sub>B</sub>	1
<b>KRC</b>	0xxx0101 <sub>B</sub>	1101dddd <sub>B</sub>	0
<b>PCS</b>	0xxx1101 <sub>B</sub>	1101dddd <sub>B</sub>	1
<b>HWCR</b>	0xxx0110 <sub>B</sub>	1110dddd <sub>B</sub>	0
<b>ICS</b>	0xxx1110 <sub>B</sub>	1110dddd <sub>B</sub>	1
<b>DCR</b>	0xxxx111 <sub>B</sub>	1111dddd <sub>B</sub>	x
<b>WRNDIAG</b>	0xxx0001 <sub>B</sub>		
<b>STDDIAG</b>	0xxx0010 <sub>B</sub>		
<b>ERRDIAG</b>	0xxx0011 <sub>B</sub>		

1) x = don't care bits.

2) d = data bits.

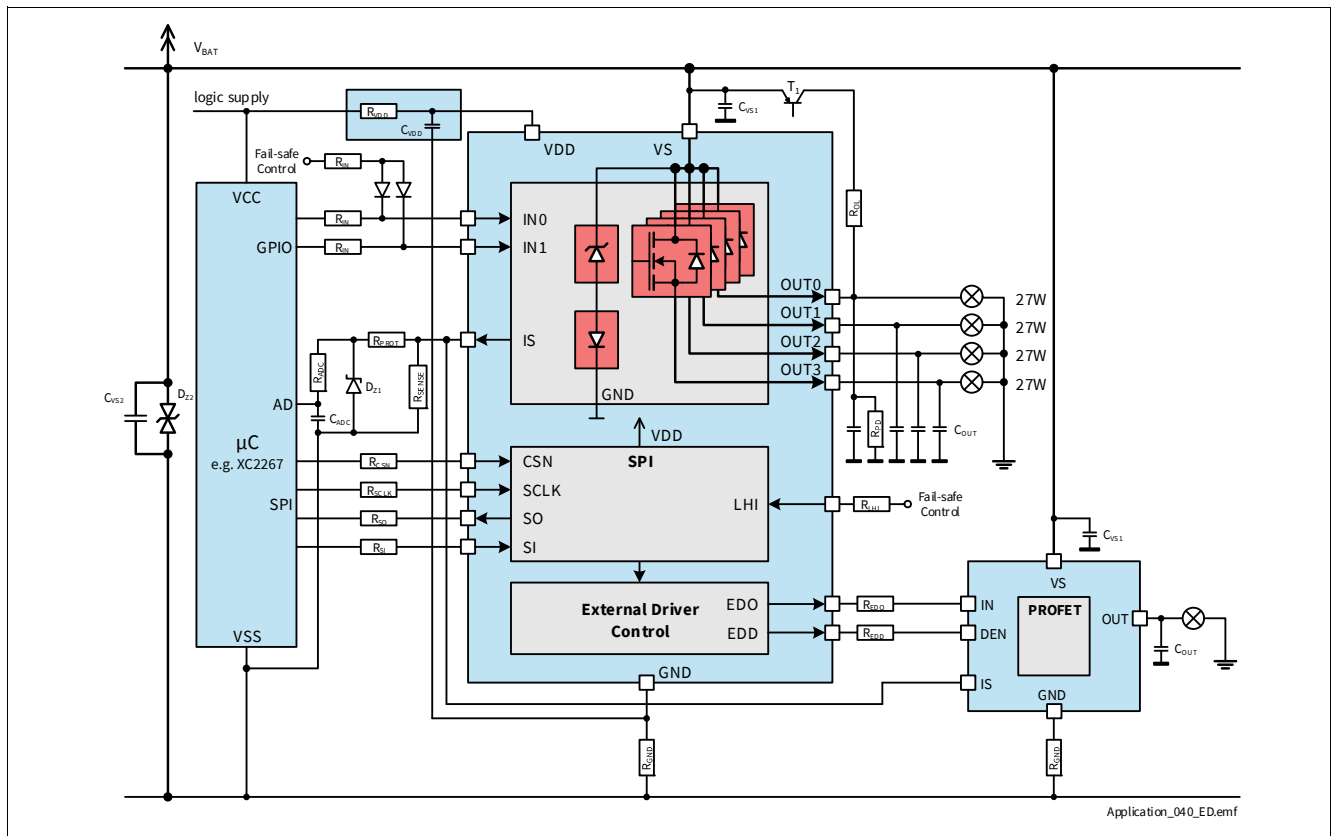
3) **DCR . SWR** bit needs to be set for writing a register. For reading a register the **DCR . SWR** bit is part of the read address.

**Application Information**

**11 Application Information**

*Note: The following information is given as a hint for the implementation of the device only and shall not be regarded as a description or warranty of a certain functionality, condition or quality of the device.*

**11.1 Application setup - SPOC™**



**Figure 46 Application Diagram**

*Note: This is a very simplified example of an application circuit. The function must be verified in the real application.*

**Application Information**

**11.2 External Components**

**Table 37 Suggested Component values**

Reference	Value	Purpose
$R_{VDD}$	470 $\Omega$	Device logic protection
$R_{IN}$	4.7 k $\Omega$	Protection of the microcontroller during overvoltage, reverse polarity Guarantee BTS71040-4ESE output OFF during Loss of Ground
$R_{PROT}$	4.7 k $\Omega$	Protection resistor for overvoltage, reverse polarity and Loss of Ground Value to be tuned with $\mu$ C specification
$R_{SENSE}$	1.2 k $\Omega$	Sense resistor
$R_{ADC}$	1.0 k $\Omega$	$\mu$ C-ADC voltage spikes filtering
$R_{CSN}$	1.2 k $\Omega$	Protection of the $\mu$ C during overvoltage and reverse polarity
$R_{SCLK}$	1.2 k $\Omega$	Protection of the $\mu$ C during overvoltage and reverse polarity
$R_{SO}$	1.2 k $\Omega$	Protection of the $\mu$ C during overvoltage and reverse polarity
$R_{SI}$	1.2 k $\Omega$	Protection of the $\mu$ C during overvoltage and reverse polarity
$R_{LHI}$	4.7 k $\Omega$	Protection of the $\mu$ C during overvoltage and reverse polarity
$R_{EDO}$	4.7 k $\Omega$	Protection of the device during overvoltage, reverse polarity of external driver
$R_{EDD}$	4.7 k $\Omega$	Protection of the device during overvoltage, reverse polarity of external driver
$C_{ADC}$	1.0 nF	$\mu$ C-ADC voltage spikes filtering
$C_{VDD}$	470 nF	Digital supply voltage spikes filtering and for improved robustness against battery voltage transients
$C_{VS1}$	100 nF	Battery voltage spikes filtering
$C_{VS2}$	100 nF	Battery voltage spikes filtering
$C_{OUT}$	10 nF	For improved electromagnetic compatibility (EMC)
$R_{GND}$	47 $\Omega$ (1/16 W)	Ground voltage spikes filtering for improved robustness against battery voltage transients
$T_1$	BC 807	Switch the battery voltage for Open Load in OFF diagnosis
$R_{PD}$	47 k $\Omega$	Output polarization (pull-down) Ensure polarization of BTS71040-4ESE output to distinguish between Open Load and Short to $V_S$ in OFF diagnosis
$R_{OL}$	1.5 k $\Omega$	Output polarization (pull-up) Ensure polarization of BTS71040-4ESE output during Open Load in OFF diagnosis

*Note: The suggested component values above are determined for typical applications. Based on the application circuit and the used components connected to BTS71040-4ESE, it could be necessary to adjust the recommended values to stay below the maximum ratings for all components (e.g. reverse battery, transients on battery, etc.).*

**11.3 Further Application Information**

- Please contact us for information regarding the Pin FMEA
- For further information you may contact <http://www.infineon.com/>

Package Outlines

12 Package Outlines

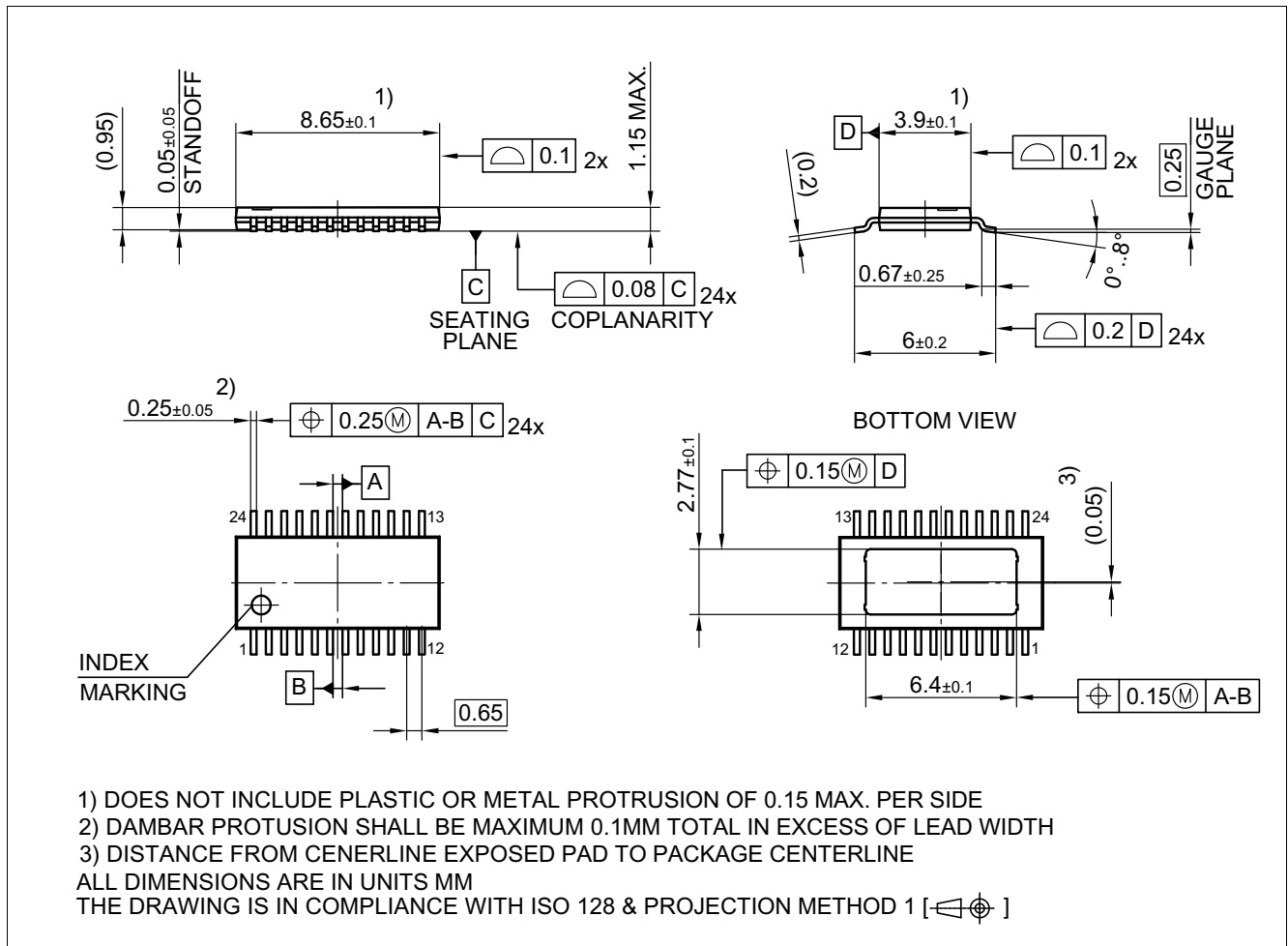
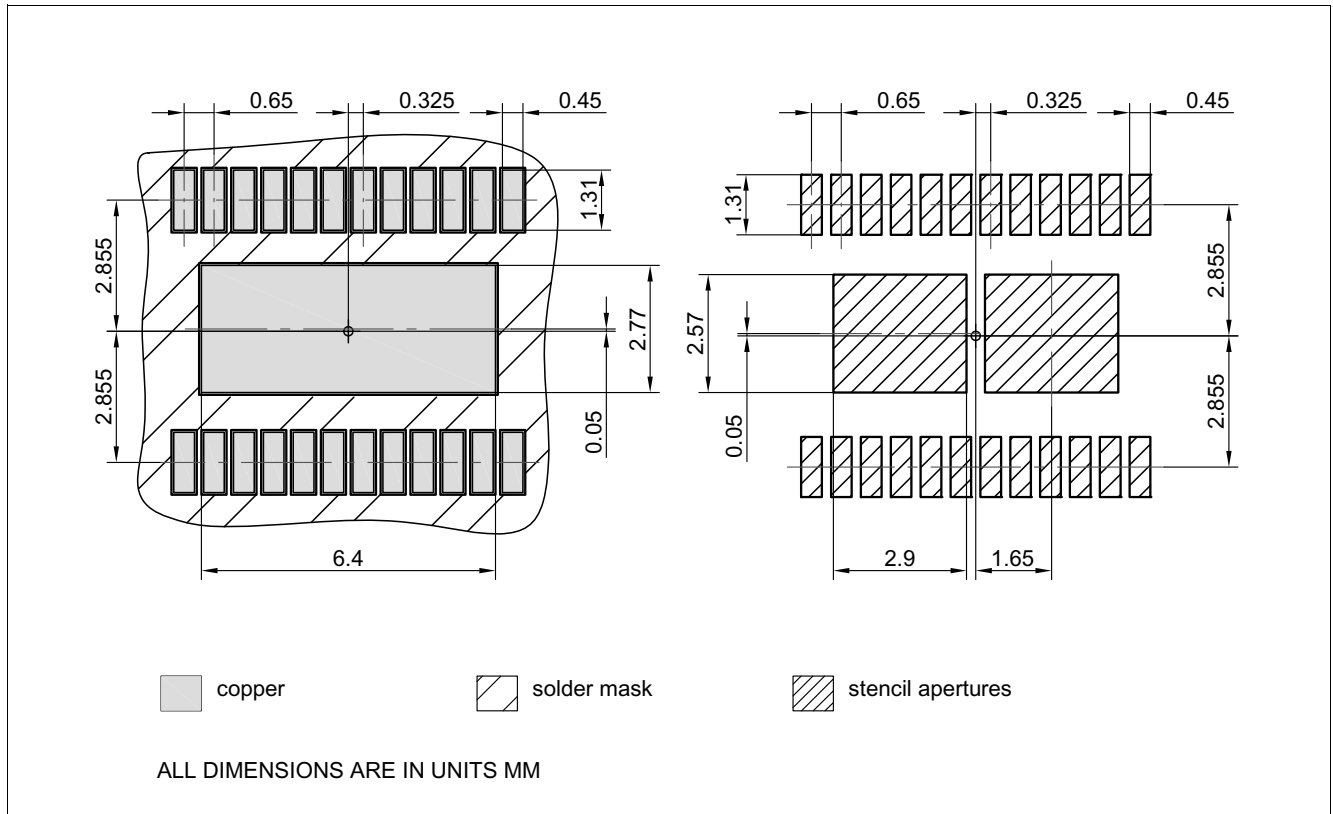


Figure 47 PG-TSDSO-24 (Thin (Slim) Dual Small Outline 24 pins) Package drawing

**Package Outlines**



**Figure 48 PG-TSDSO-24 (Thin (Slim) Dual Small Outline 24 pins) Package pads and stencil**

**Green Product (RoHS compliant)**

To meet the world-wide customer requirements for environmentally friendly products and to be compliant with government regulations the device is available as a green product. Green products are RoHS-Compliant (i.e Pb-free finish on leads and suitable for Pb-free soldering according to IPC/JEDEC J-STD-020).

**Further information on packages**

<https://www.infineon.com/packages>

---

**Revision History**

## **13 Revision History**

**Table 38** **BTS71040-4ESE - List of changes**

<b>Revision</b>	<b>Changes</b>
<b>1.00</b> , 2018-10-16	Data Sheet available

**Table of Contents**

**Table of Contents**

<b>1</b>	<b>Overview</b> .....	<b>1</b>
<b>2</b>	<b>Block Diagram and Terms</b> .....	<b>4</b>
2.1	Block Diagram .....	4
2.2	Terms .....	5
<b>3</b>	<b>Pin Configuration</b> .....	<b>6</b>
3.1	Pin Assignment .....	6
3.2	Pin Definitions and Functions .....	7
<b>4</b>	<b>General Product Characteristics</b> .....	<b>8</b>
4.1	Absolute Maximum Ratings - General .....	8
4.2	Absolute Maximum Ratings - Power Stages .....	10
4.2.1	Power Stages - 27 W channels .....	10
4.3	Functional Range .....	11
4.4	Thermal Resistance .....	12
4.4.1	PCB Setup .....	12
4.4.2	Thermal Impedance .....	14
<b>5</b>	<b>Logic Pins</b> .....	<b>15</b>
5.1	Input Pins (INn) .....	15
5.2	Advanced Features Pins .....	17
5.2.1	SPI Pins .....	17
5.2.2	Limp Home Input (LHI) Pin .....	17
5.2.3	External Driver Pins .....	17
5.3	Electrical Characteristics Logic Pins .....	18
5.4	Electrical Characteristics Logic Pins - Advanced Features .....	18
<b>6</b>	<b>Power Supply</b> .....	<b>21</b>
6.1	Operation Modes .....	22
6.1.1	Unsupplied .....	24
6.1.2	Power-up .....	24
6.1.3	Sleep mode .....	24
6.1.4	Stand-by mode .....	24
6.1.5	Ready mode .....	24
6.1.6	Active mode .....	24
6.1.7	Limp Home mode .....	24
6.1.8	Limp Home Active mode .....	25
6.1.9	Definition of Operation modes transition times .....	26
6.2	Undervoltage on $V_S$ .....	26
6.3	Reset Condition .....	27
6.4	Electrical Characteristics Power Supply .....	28
6.4.1	Electrical Characteristics Power Supply - SPOC™ .....	29
6.5	Electrical Characteristics Power Supply - Product Specific .....	29
6.5.1	BTS71040-4ESE .....	30
<b>7</b>	<b>Power Stages</b> .....	<b>31</b>
7.1	Output ON-State Resistance .....	31
7.2	Switching loads .....	31
7.2.1	Switching Resistive Loads .....	31

**Table of Contents**

7.2.2	Switching Inductive Loads	32
7.2.3	Output Voltage Limitation	33
7.2.4	Switching Capacitive Loads	33
7.3	Advanced Switching Characteristics	34
7.3.1	Inverse Current behavior	34
7.3.2	Switching Channels in Parallel	35
7.3.3	Cross Current robustness with H-Bridge configuration	36
7.4	Electrical Characteristics Power Stages	37
7.4.1	Electrical Characteristics Power Stages - SPOC™	37
7.5	Electrical Characteristics - Power Output Stages	39
7.5.1	Power Output Stage - 27 W	39
<b>8</b>	<b>Protection</b>	<b>41</b>
8.1	Overtemperature Protection	41
8.2	Overload Protection	43
8.3	Protection and Diagnosis in case of Fault	43
8.3.1	Restart Strategy	44
8.4	Additional protections	45
8.4.1	Reverse Polarity Protection	45
8.4.2	Overvoltage Protection	46
8.5	Protection against loss of connection	47
8.5.1	Loss of Battery and Loss of Load	47
8.5.2	Loss of Ground	47
8.6	Electrical Characteristics Protection	48
8.6.1	Electrical Characteristics Protection - SPOC™	48
8.7	Electrical Characteristics Protection - Power Output Stages	49
8.7.1	Protection Power Output Stage - 27 W channels	49
<b>9</b>	<b>Diagnosis</b>	<b>50</b>
9.1	Overview	51
9.2	Diagnosis Word at SPI	52
9.3	Diagnosis in ON state	52
9.3.1	Current Sense ( $k_{ILIS}$ )	52
9.3.2	Current Sense Multiplexer	53
9.4	Diagnosis in OFF state	54
9.4.1	Switch Bypass Monitor	54
9.5	SENSE Timings	54
9.6	Electrical Characteristics Diagnosis	55
9.6.1	Electrical Characteristics Diagnosis - SPOC™	56
9.7	Electrical Characteristics Diagnosis - Power Output Stages	57
9.7.1	Diagnosis Power Output Stage 27 W Channels	57
<b>10</b>	<b>Serial Peripheral Interface (SPI)</b>	<b>59</b>
10.1	SPI Signal Description	59
10.2	Daisy Chain Capability	60
10.3	Timing Diagrams	61
10.4	Electrical Characteristics	62
10.5	SPI Protocol	63
10.6	SPI Diagnosis Registers	66



**Table of Contents**

10.6.1	Diagnosis Registers - Read Commands .....	66
10.6.2	Diagnosis Registers - Responses .....	66
10.7	SPI Configuration Registers .....	67
10.8	SPI Checksum Verification .....	72
10.9	SPI command quick list .....	73
<b>11</b>	<b>Application Information .....</b>	<b>74</b>
11.1	Application setup - SPOC™ .....	74
11.2	External Components .....	75
11.3	Further Application Information .....	75
<b>12</b>	<b>Package Outlines .....</b>	<b>76</b>
<b>13</b>	<b>Revision History .....</b>	<b>78</b>
	<b>Table of Contents .....</b>	<b>79</b>

#### **Trademarks**

All referenced product or service names and trademarks are the property of their respective owners.

**Edition 2018-10-16**

**Published by**

**Infineon Technologies AG**

**81726 Munich, Germany**

**© 2018 Infineon Technologies AG.**

**All Rights Reserved.**

**Do you have a question about any aspect of this document?**

**Email: [erratum@infineon.com](mailto:erratum@infineon.com)**

**Document reference**

#### **IMPORTANT NOTICE**

The information given in this document shall in no event be regarded as a guarantee of conditions or characteristics ("Beschaffheitsgarantie").

With respect to any examples, hints or any typical values stated herein and/or any information regarding the application of the product, Infineon Technologies hereby disclaims any and all warranties and liabilities of any kind, including without limitation warranties of non-infringement of intellectual property rights of any third party.

In addition, any information given in this document is subject to customer's compliance with its obligations stated in this document and any applicable legal requirements, norms and standards concerning customer's products and any use of the product of Infineon Technologies in customer's applications.

The data contained in this document is exclusively intended for technically trained staff. It is the responsibility of customer's technical departments to evaluate the suitability of the product for the intended application and the completeness of the product information given in this document with respect to such application.

For further information on technology, delivery terms and conditions and prices, please contact the nearest Infineon Technologies Office ([www.infineon.com](http://www.infineon.com)).

#### **WARNINGS**

Due to technical requirements products may contain dangerous substances. For information on the types in question please contact your nearest Infineon Technologies office.

Except as otherwise explicitly approved by Infineon Technologies in a written document signed by authorized representatives of Infineon Technologies, Infineon Technologies' products may not be used in any applications where a failure of the product or any consequences of the use thereof can reasonably be expected to result in personal injury.