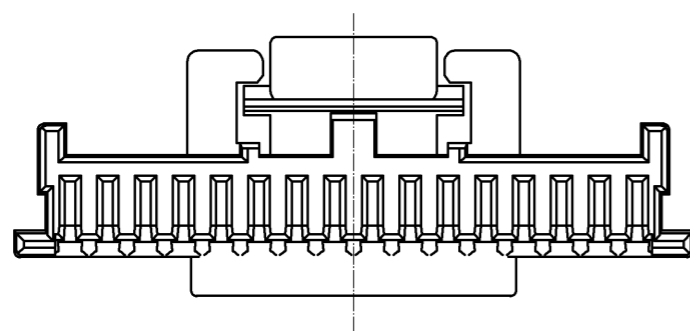
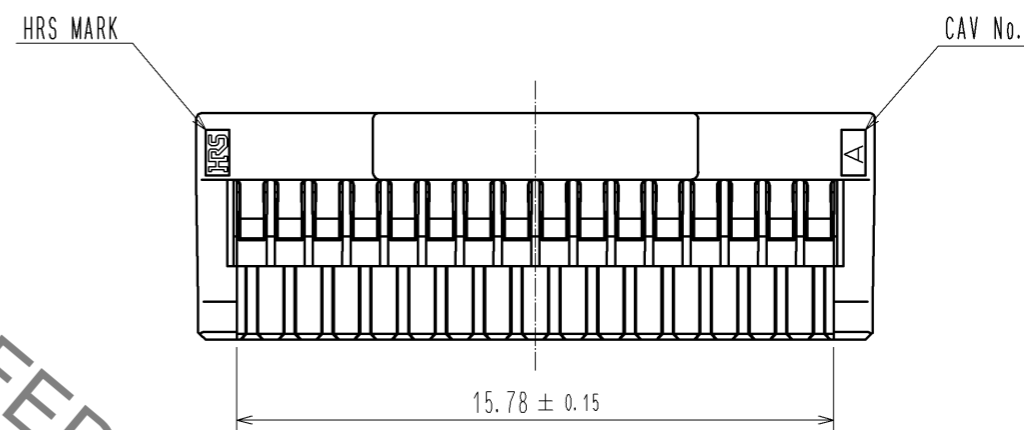
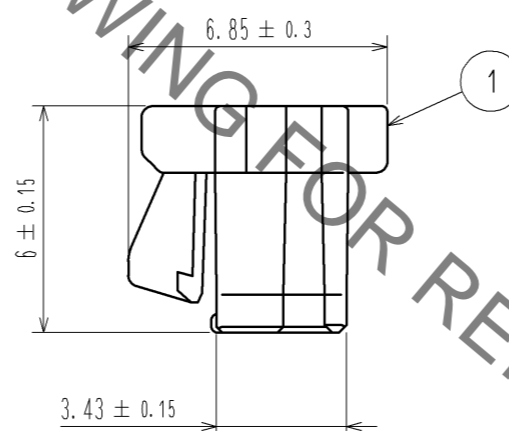
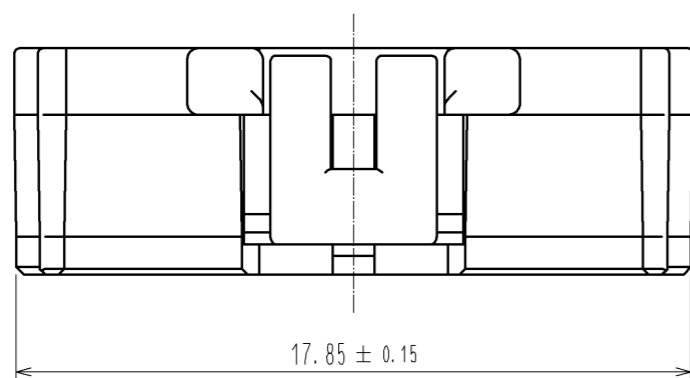
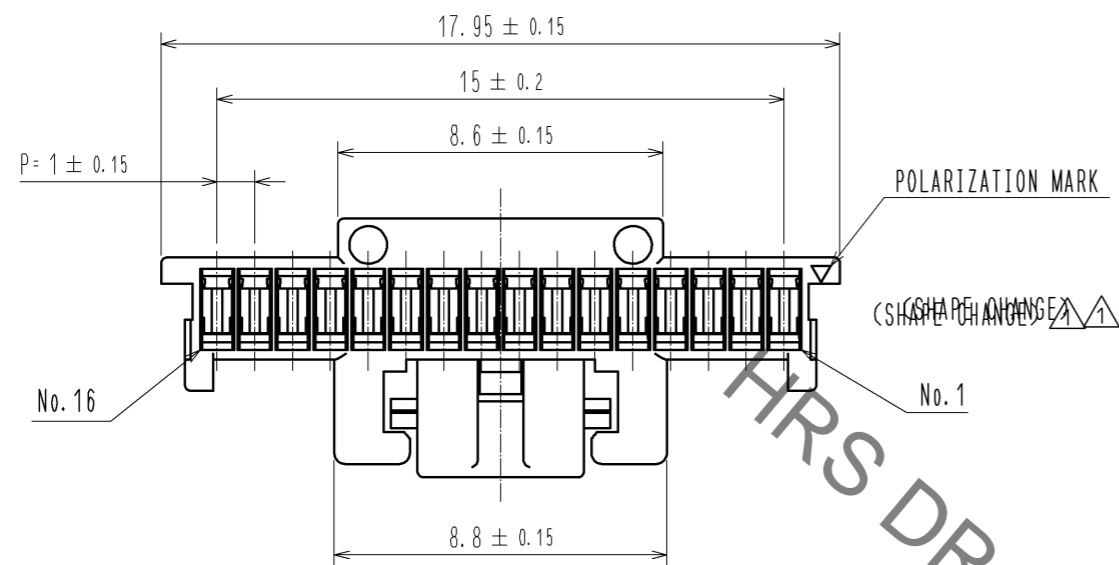


Apr.1.2020 Copyright 2020 HIROSE ELECTRIC CO., LTD. All Rights Reserved.
 In case of consideration for using Automotive equipment / device which demand high reliability, kindly contact our sales window correspondents.



NOTE1. PER PACK:100 POCES

NO.	MATERIAL	FINISH . REMARKS	NO.	MATERIAL	FINISH . REMARKS
			1	PBT	UL94V-0. BLACK
UNITS mm		SCALE 5 : 1	COUNT 1	DESCRIPTION OF REVISIONS DIS-H-005903	DESIGNED KT. ISHII
					CHECKED OM. MIYAMOTO
					DATE 11.06.16
HRS	HIROSE ELECTRIC CO., LTD.	APPROVED : KI. AKIYAMA 10.12.10		DRAWING NO. EDC3-329684-00	
		CHECED : OM. MIYAMOTO 10.12.10		PART NO. DF50A-16S-1C	
		DESIGNED : TT. OHSAKO 10.12.09		CODE NO. CL665-1030-1-00	
		DRAWN : TT. OHSAKO 10.12.09			