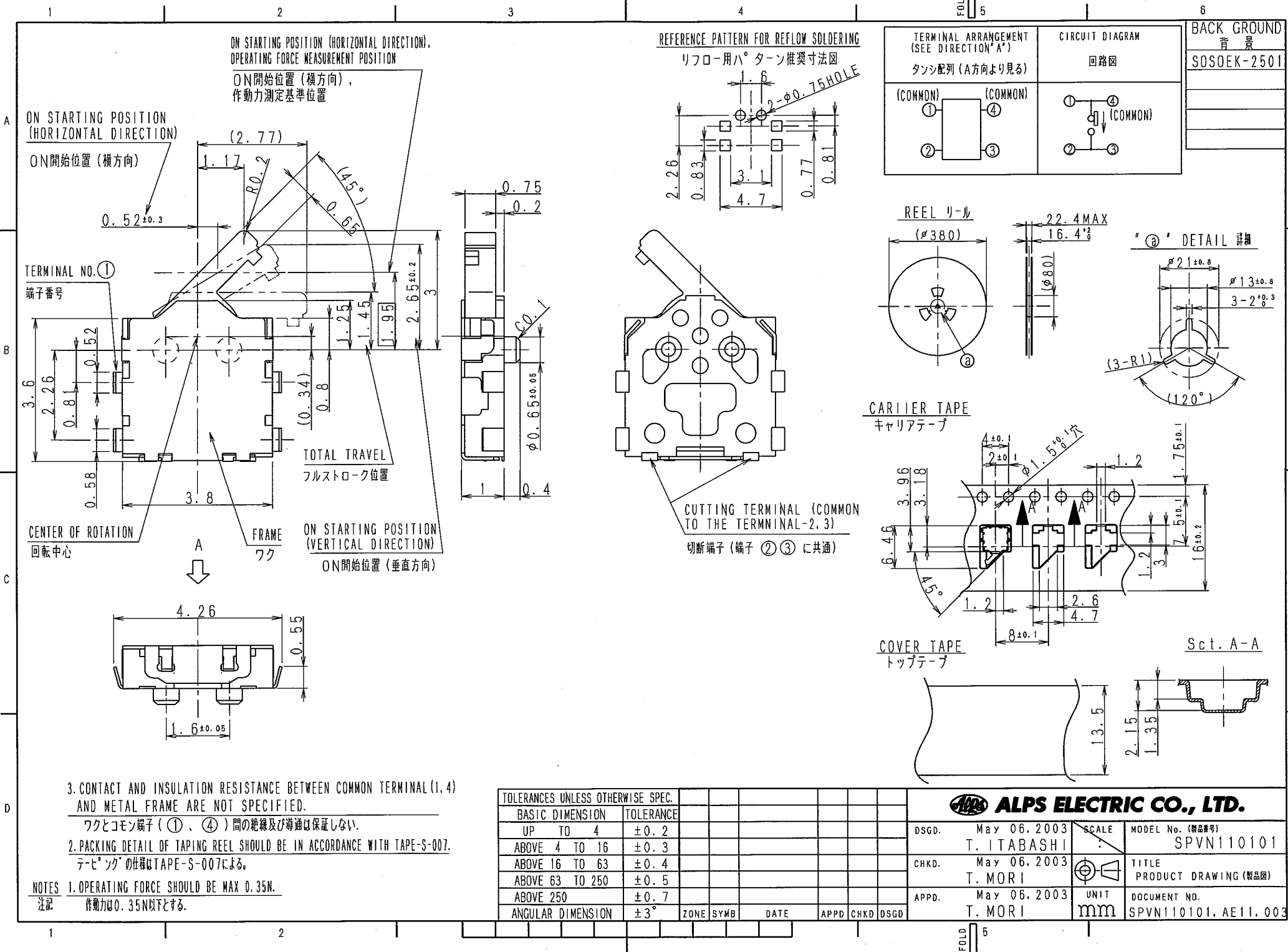
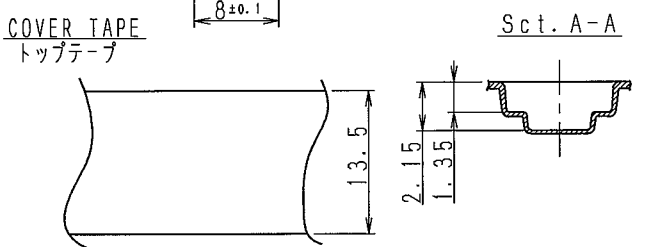
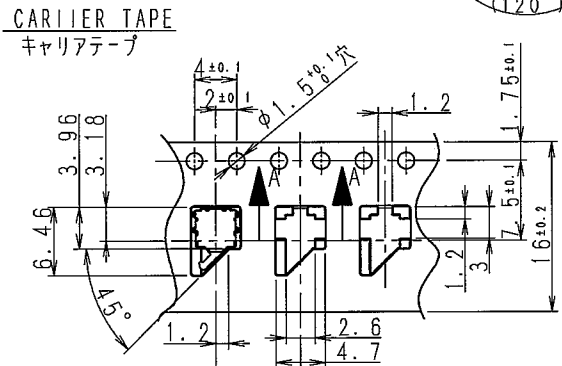
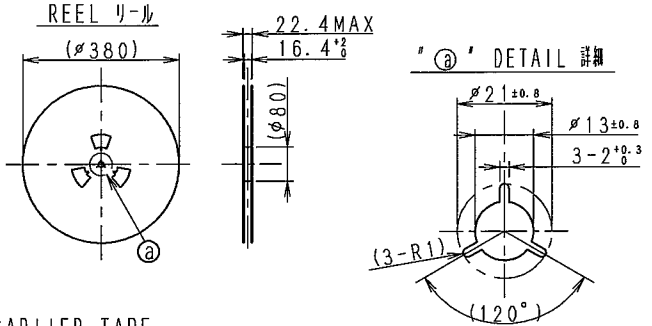
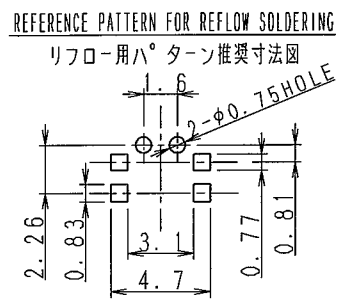
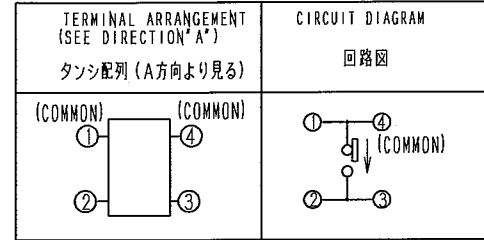


FOLD 5



BACK GROUND  
背景  
SOSOEK-2501



3. CONTACT AND INSULATION RESISTANCE BETWEEN COMMON TERMINAL (1, 4) AND METAL FRAME ARE NOT SPECIFIED.  
ワクとコモン端子 (①、④) 間の絶縁及び導通は保証しない。

2. PACKING DETAIL OF TAPING REEL SHOULD BE IN ACCORDANCE WITH TAPE-S-007.  
テーピングの仕様はTAPE-S-007による。

NOTES 1. OPERATING FORCE SHOULD BE MAX 0.35N.  
注記 作動力は0.35N以下とする。

TOLERANCES UNLESS OTHERWISE SPEC.					
BASIC DIMENSION	TOLERANCE	ZONE	SYMB	DATE	APPD
UP TO 4	±0.2				
ABOVE 4 TO 16	±0.3				
ABOVE 16 TO 63	±0.4				
ABOVE 63 TO 250	±0.5				
ABOVE 250	±0.7				
ANGULAR DIMENSION	±3°				

<b>ALPS ELECTRIC CO., LTD.</b>			
DSGD.	May 06, 2003 T. ITABASHI	SCALE	MODEL No. (製品番号) SPVN110101
CHKD.	May 06, 2003 T. MORI	TITLE	PRODUCT DRAWING (製品図)
APPD.	May 06, 2003 T. MORI	UNIT	DOCUMENT NO. SPVN110101, AE11, 003

FOLD 5