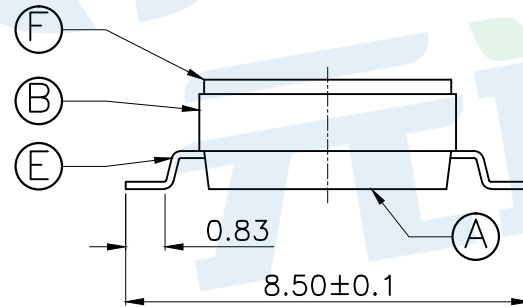
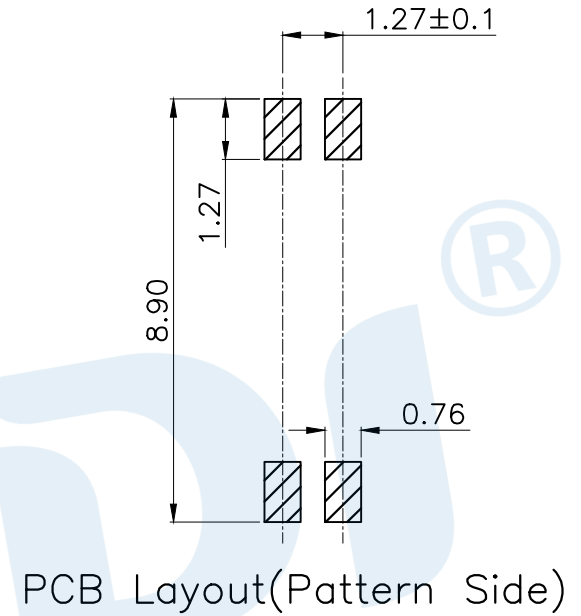
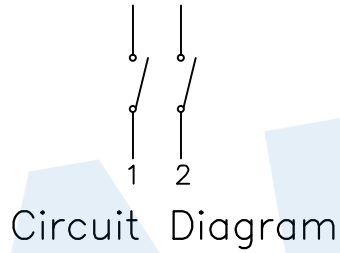
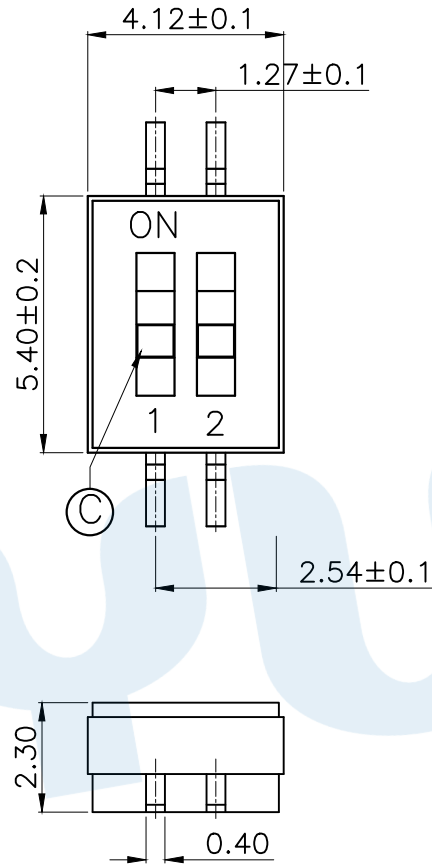


RoHS



NOTE:

- 1.Rating: 50V 100mA DC
- 2.Insulation Resistance: ≥100 MΩ
- 3.Withstand voltage:AC 500V 1Minute
- 4.Operating Force Range: 500gf Max
- 5.Mechanical Life:3,000 Cycles

Ⓕ	Dust film	1	Polyimide tape		
Ⓖ	Terminal	4	Phosphor bronze	Gold plating	
Ⓓ	Contact spring	2	Phosphor bronze	Gold plating	
Ⓒ	Handle	2	PA46	White	
Ⓑ	Cover	1	PPS	Black	
Ⓐ	Base	1	PPS	Black	
NO.	Name	Number	Qty	Materil	Remarks

**YUANDI®** Yuandi Electronics Co, Ltd

design	date	name	DIP SWITCH
Review	date	model	TP-02
Approved	date		

Drawing number: Proportion 1:1 unit mm gage number A4

modify Review Approved Tolerance not specified