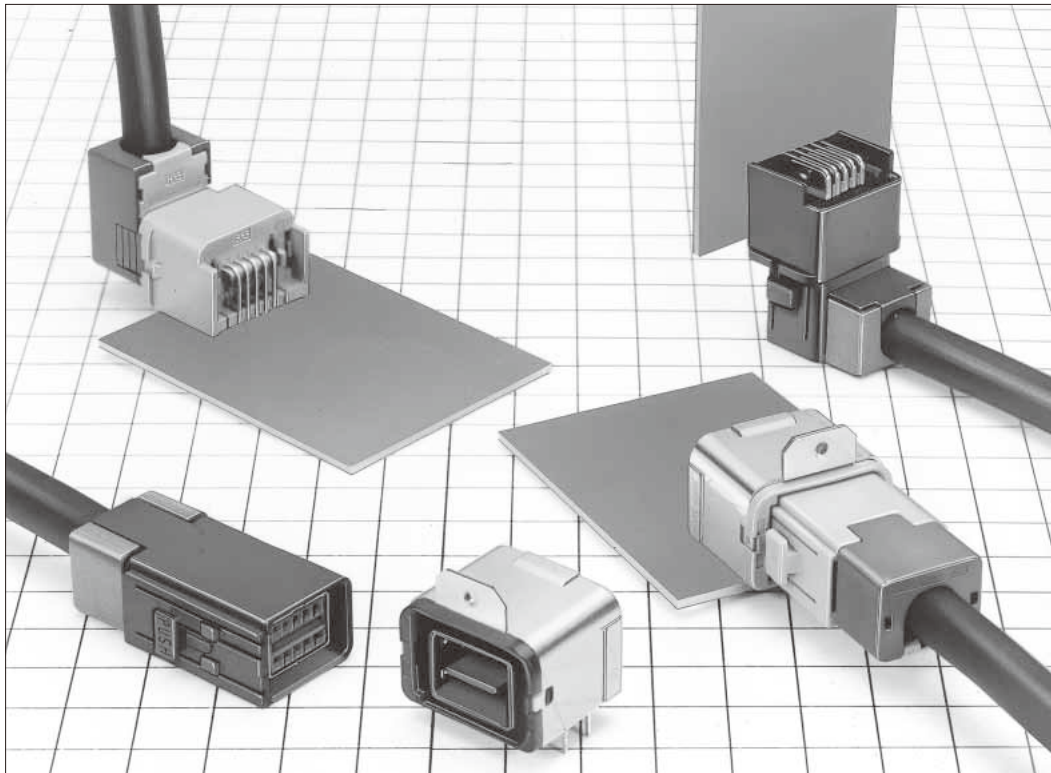


# GT17 Series

— Automotive Shielded Connector —  
(2mm Pitch)



## ■ Features

- All surface shielded construction.
- Ideal for use as automotive USB connectors.

## ■ Applications

In-car data communications, etc.  
(For USB2.0, LVDS)

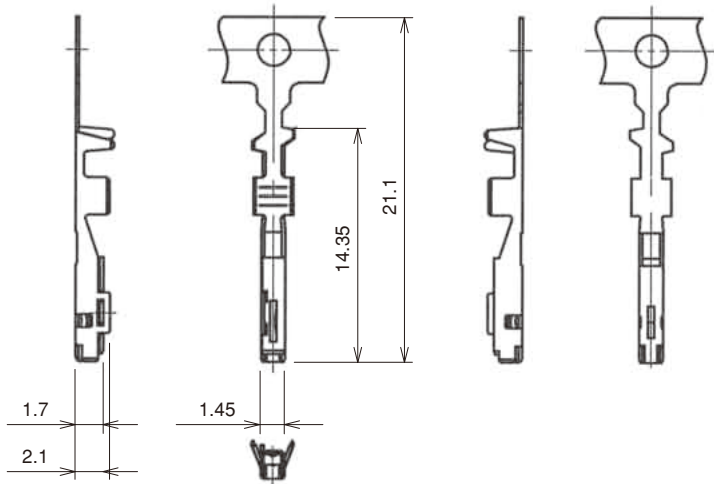
Dec.1.2018 Copyright © 2018 HIROSE ELECTRIC CO., LTD. All Rights Reserved.

- GT5
- GT13
- GT16
- PO5G
- GT19
- GT21
- GT26
- GT36
- GT11
- GT17**
- GT32
- GT3
- GT7
- GT10
- GT18W
- GT25
- GT8E
- GT9
- GT15

- GT5
- GT13
- GT16
- PO5G
- GT19
- GT21
- GT26
- GT36
- GT111
- GT17**
- GT32
- GT3
- GT7
- GT10
- GT18W
- GT25
- GT8E
- GT9
- GT15

## ■ F Connectors

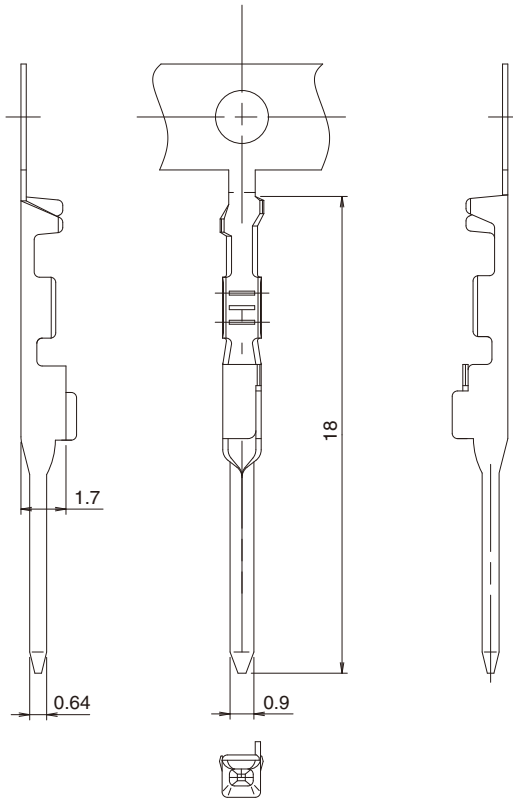
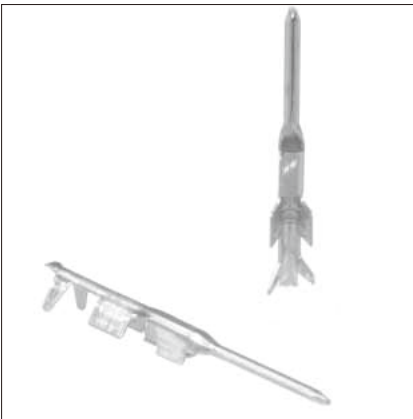
### ● Center Terminals (Used with 6, 8, and 10 pos. cable)



Part No.	HRS No.	Material	Plating	Conductor Size (AWG)	Outer Diameter	Packaging	RoHS
GT17-2022SCF	767-0009-0	Copper alloy	Tin plating	20 to 22 AWG	φ 1.1 to 1.3	10,000 pcs/reel	YES
GT17-2428SCF	767-0010-0			24 to 28 AWG	φ 0.7 to 1.0		
GT17-30SCF	767-0064-9			30 AWG	φ 1.1 to 1.3		
GT17B-2428SCF	767-0122-3			24 to 28 AWG	φ 0.5 to 0.7		

## ■ M Connectors

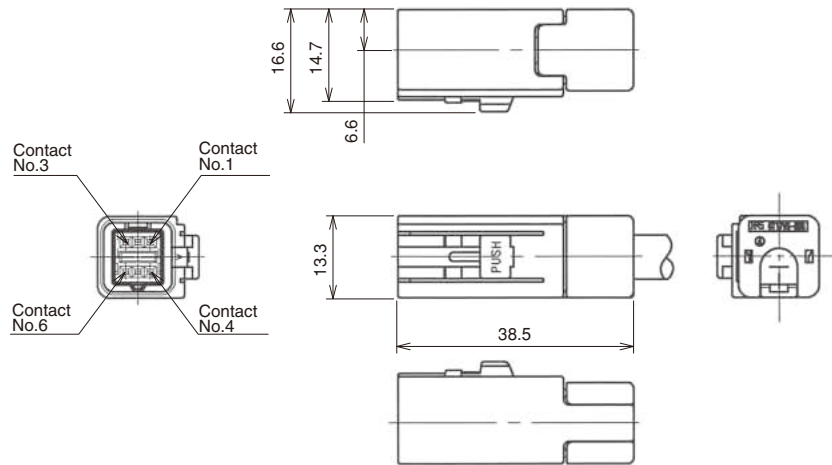
### ● Center Terminals (Used with 6, and 10 pos. cable)



Part No.	HRS No.	Material	Plating	Conductor Size (AWG)	Outer Diameter	Packaging	RoHS
GT17-2022PCF	767-0082-0	Brass	Tin plating	20 to 22 AWG	φ 1.1 to 1.3	10,000 pcs/reel	YES
GT17-2428PCF	767-0076-8			24 to 28 AWG	φ 0.7 to 1.0		
GT17A-2428PCF	767-0121-0				φ 1.1 to 1.3		

## 6 Pos. Straight Connectors

◆By using two key codings for different purposes, incorrect insertion can be prevented.



◆The product comprises 6 parts.

(Housing, insulator, outer terminal, shield plate, retainer, and center terminal)

● Housing

Part No.	HRS No.	Material / Plating or Color	Packaging	RoHS
GT17VS-6DS-HU	767-0051-7	PBT/Light Gray	1	YES
GT17VSA-6DS-HU	767-0052-0	PBT/Black		

● Insulator

Part No.	HRS No.	Material / Plating or Color	Packaging	RoHS
GT17V-6DS-2C	767-0026-0	PBT/Dark Gray	1	YES

● Outer terminal

Part No.	HRS No.	Material / Plating or Color	Outer Diameter	Packaging	RoHS
GT17VS-6DS-5CF	767-0050-4	Copper alloy / Tin plating	φ 4.8 to 5.2	1	YES

● Shield plate

Part No.	HRS No.	Material / Plating or Color	Packaging	RoHS
GT17VS-6DS-SC	767-0049-5	Copper alloy / Tin plating	1	YES

● Retainer

Part No.	HRS No.	Material / Plating or Color	Packaging	RoHS
GT17VS-6DS-R	767-0053-2	PBT/Dark Gray	1	YES

● Center terminal

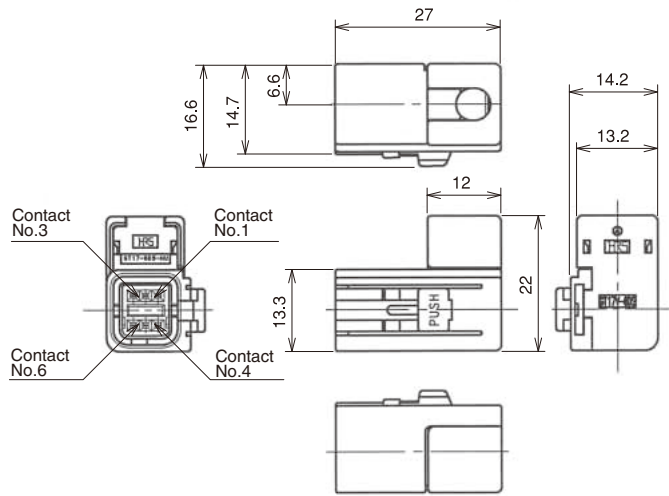
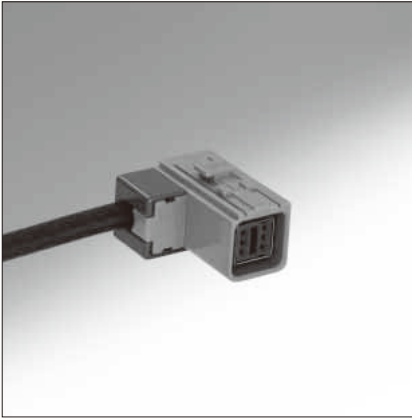
Used with 6,8, and 10 pos. cable

◆Mating Table

Color	Cable side connector	Board connector
Gray	GT17VS-6DS-HU	GT17V-6DP-DS (70)
		GT17VB-6DP-DS (70)
Black	GT17VSA-6DS-HU	GT17VA-6DP-DS (70)
		GT17VC-6DP-DS (70)

## 6 Pos. Right-angle Connectors

◆By using two key codings for different purposes, incorrect insertion can be prevented.



◆The product comprises 6 parts.

(Housing, insulator, outer terminal, shield plate, retainer, and center terminal)

● Housing

Part No.	HRS No.	Material / Plating or Color	Packaging	RoHS
GT17V-6DS-HU	767-0029-8	PBT / Light Gray	1	YES
GT17VA-6DS-HU	767-0030-7	PBT / Black		

● Insulator

Part No.	HRS No.	Material / Plating or Color	Packaging	RoHS
GT17V-6DS-2C	767-0026-0	PBT / Dark Gray	1	YES

● Outer terminal

Part No.	HRS No.	Material / Plating or Color	Outer Diameter	Packaging	RoHS
GT17V-6DS-5CF	767-0027-2	Copper alloy / Tin plating	$\phi$ 4.8 to 5.2	1	YES
GT17V-6DS-3.8CF	767-0075-5		$\phi$ 3.6 to 4.0		

● Shield plate

Part No.	HRS No.	Material / Plating or Color	Packaging	RoHS
GT17V-6DS-SC	767-0028-5	Copper alloy / Tin plating	1	YES

● Retainer

Part No.	HRS No.	Material / Plating or Color	Packaging	RoHS
GT17V-6DS-R	767-0031-0	PBT / Dark Gray	1	YES

● Center terminal

Used with 6,8, and 10 pos. cable

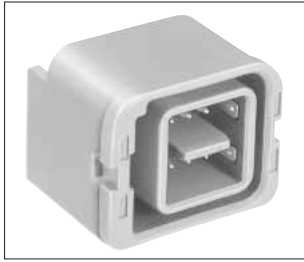
◆Mating Table

Color	Cable side connector	Board connector
Gray	GT17V-6DS-HU	GT17V-6DP-DS(70)(Cable exit direction, up side from mounting side)
		GT17VB-6DP-DS(70)(Cable exit direction, down side from mounting side)
Black	GT17VA-6DS-HU	GT17VA-6DP-DS(70)(Cable exit direction, up side from mounting side)
		GT17VC-6DP-DS(70)(Cable exit direction, down side from mounting side)

## 6 Pos. Printed Circuit Board Connectors

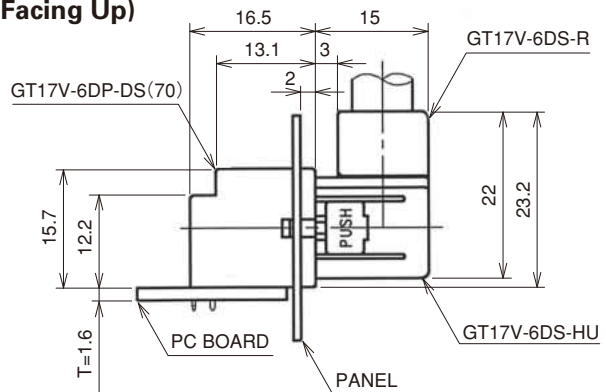
◆By using two key codings for different purposes, incorrect insertion can be prevented.

● Cable extraction facing up

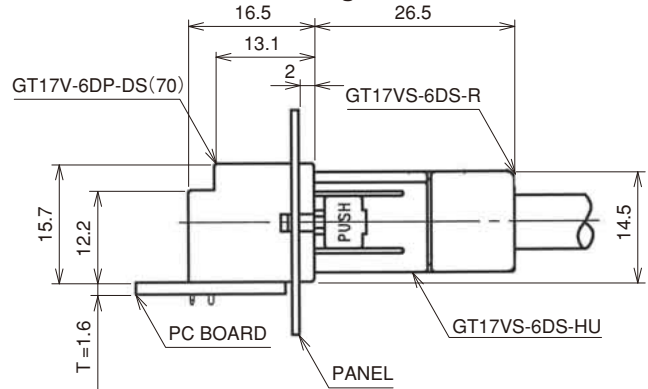


**GT17V-6DP-DS(70)**

### In Combination with a Right-angle Connector (Facing Up)

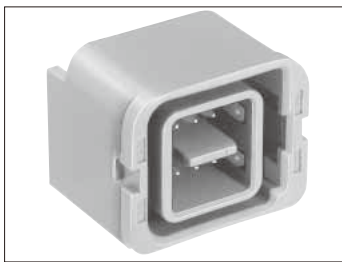


### In Combination with a Straight Connector



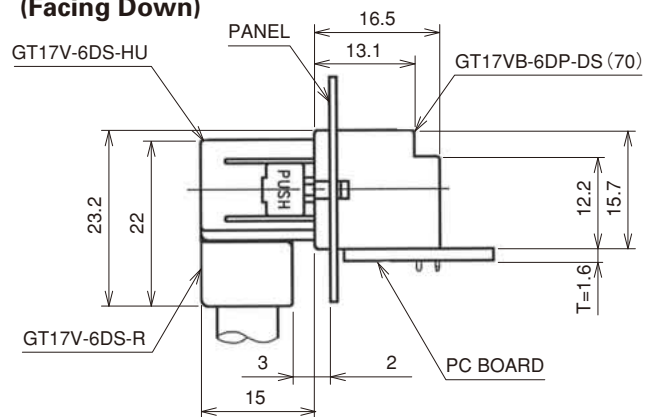
Part No.	HRS No.	Material / Plating or Color	Packaging	RoHS
GT17V-6DP-DS(70)	767-0024-4 70	Housing: PBT/Light Gray Center terminal: Brass /Tin plating Outer terminal: Copper alloy /Tin plating	1	YES

● Cable extraction facing down



**GT17VB-6DP-DS(70)**

### In Combination with a Right-angle Connector (Facing Down)



Part No.	HRS No.	Material / Plating or Color	Packaging	RoHS
GT17VB-6DP-DS(70)	767-0032-2 70	Housing: PBT/Light Gray Center terminal: Brass /Tin plating Outer terminal: Copper alloy /Tin plating	1	YES

## 6 Pos. Printed Circuit Board Connectors

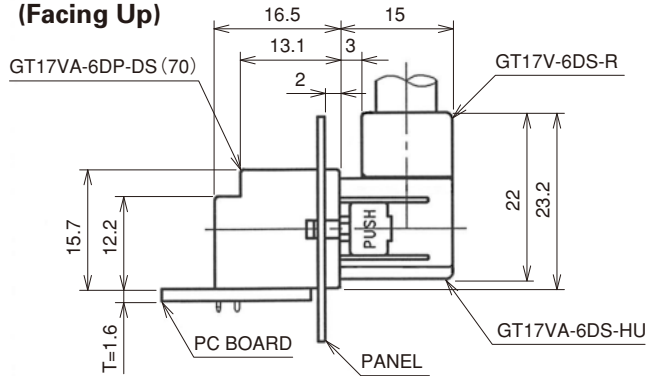
◆By using two key codings for different purposes, incorrect insertion can be prevented.

● Cable extraction facing up

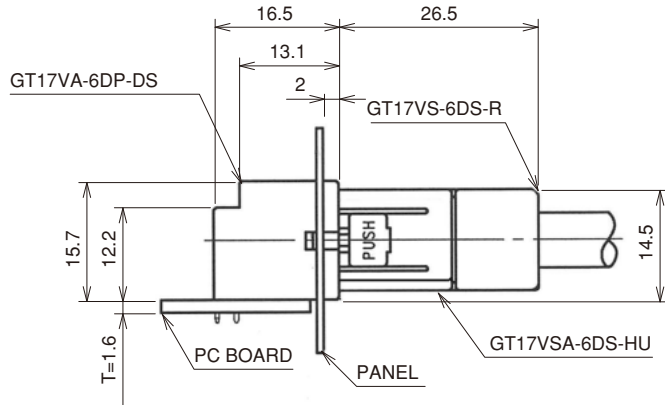


GT17VA-6DP-DS(70)

### In Combination with a Right-angle Connector (Facing Up)



### In Combination with a Straight Connector



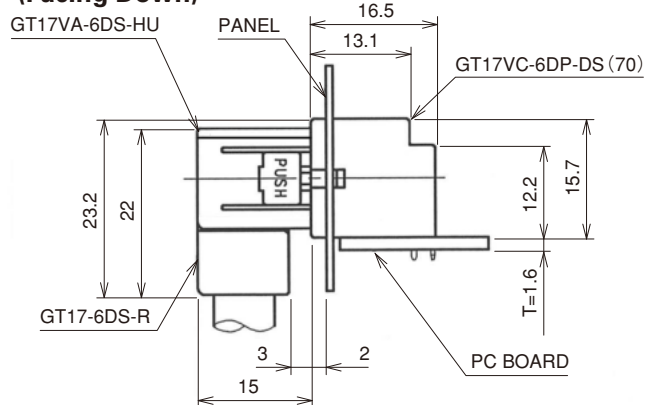
Part No.	HRS No.	Material / Plating or Color	Packaging	RoHS
GT17VA-6DP-DS(70)	767-0025-7 70	Housing: PBT/Black Center terminal: Brass /Tin plating Outer terminal: Copper alloy /Tin plating	1	YES

● Cable extraction facing down



GT17VC-6DP-DS(70)

### In Combination with a Right-angle Connector (Facing Down)

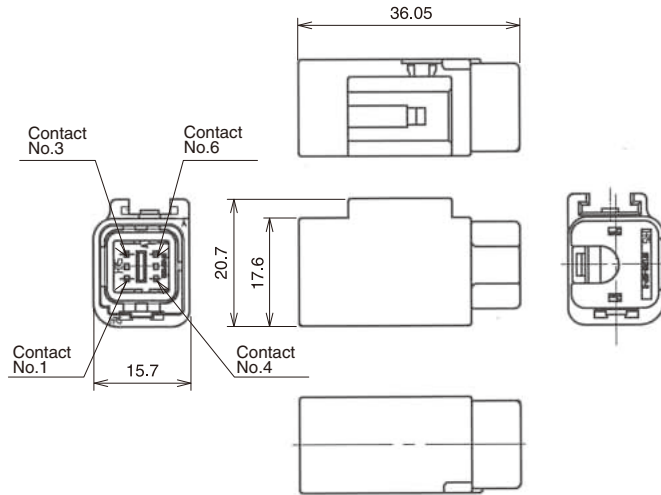


Part No.	HRS No.	Material / Plating or Color	Packaging	RoHS
GT17VC-6DP-DS(70)	767-0033-5 70	Housing: PBT/Black Center terminal: Brass /Tin plating Outer terminal: Copper alloy /Tin plating	1	YES

Dec.1.2018 Copyright © HIROSE ELECTRIC CO., LTD. All Rights Reserved.

- GT5
- GT13
- GT16
- PO5G
- GT19
- GT21
- GT26
- GT36
- GT11
- GT17**
- GT32
- GT3
- GT7
- GT10
- GT18W
- GT25
- GT8E
- GT9
- GT15

## 6 Pos. In-line Connectors



◆The product comprises 6 parts.  
(Housing, insulator, outer terminal, shield plate, retainer, and center terminal)

● Housing

Part No.	HRS No.	Material / Plating or Color	Packaging	RoHS
GT17VSN-6DP-HU	767-0077-0	PBT / Light Gray	1	YES
GT17VSV-6DP-HU	767-0128-0			
GT17VSN-6DP-HU	767-0326-3	PBT / Black		

● Insulator

Part No.	HRS No.	Material / Plating or Color	Packaging	RoHS
GT17V-6DP-2C	767-0078-3	PBT / Dark Gray	1	YES

● Outer terminal

Part No.	HRS No.	Material / Plating or Color	Outer Diameter	Packaging	RoHS
GT17VS-6DP-5CF	767-0080-5	Copper alloy / Tin plating	φ 4.8 to 5.0	1	YES

● Shield plate

Part No.	HRS No.	Material / Plating or Color	Packaging	RoHS
GT17VS-6DP-SC	767-0079-6	Copper alloy / Tin plating	1	YES

● Retainer

Part No.	HRS No.	Material / Plating or Color	Packaging	RoHS
GT17VS-6DP-R	767-0081-8	PBT / Dark Gray	1	YES

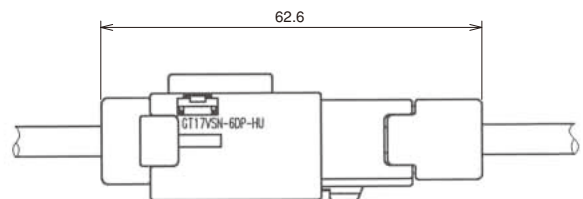
● Center terminal

Used with 6, and 10 Pos. cable

◆Mating Table

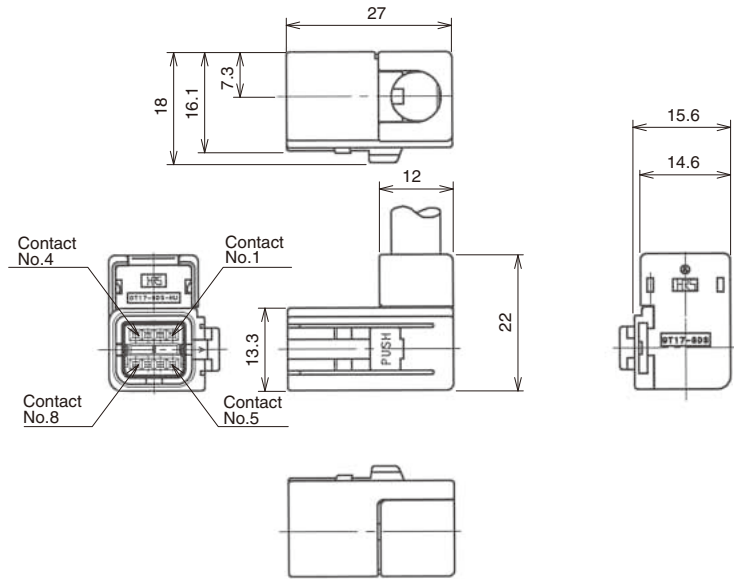
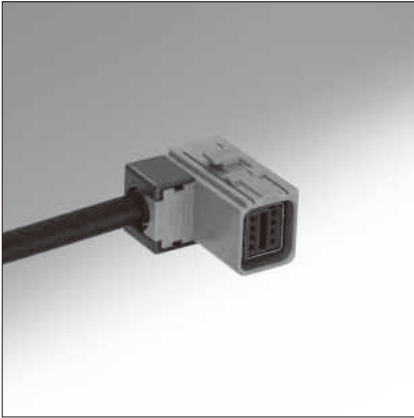
Color	In-line Connector	Cable side Connector
Gray	GT17VSN-6DP-HU	GT17V-6DS-HU
	GT17VSV-6DP-HU	GT17VS-6DS-HU
Black	GT17VSN-6DP-HU	GT17VA-6DS-HU
		GT17VSA-6DS-HU

◆Mated Condition



## 8 Pos. Right-angle Connectors

◆By using two key codings for different purposes, incorrect insertion can be prevented.



◆The product comprises 6 parts.

(Housing, insulator, outer terminal, shield plate, retainer, and center terminal)

● Housing

Part No.	HRS No.	Material / Plating or Color	Packaging	RoHS
GT17-8DS-HU	767-0003-4	PBT / Light Gray	1	YES
GT17A-8DS-HU	767-0004-7	PBT / Black		

● Insulator

Part No.	HRS No.	Material / Plating or Color	Packaging	RoHS
GT17-8DS-2C	767-0005-0	PBT / Dark Gray	1	YES

● Outer terminal

Part No.	HRS No.	Material / Plating or Color	Outer Diameter	Packaging	RoHS
GT17-8DS-7CF(70)	767-0007-5 70	Phosphor bronze / Tin plating	φ 6.8 to 7.2	1	YES

● Shield plate

Part No.	HRS No.	Material / Plating or Color	Packaging	RoHS
GT17-8DS-SC(70)	767-0006-2 70	Copper alloy / Tin plating	1	YES

● Retainer

Part No.	HRS No.	Material / Plating or Color	Packaging	RoHS
GT17-8DS-R	767-0008-8	PBT / Dark Gray	1	YES

● Center terminal

Used with 6,8, and 10 pos. cable

◆Mating Table

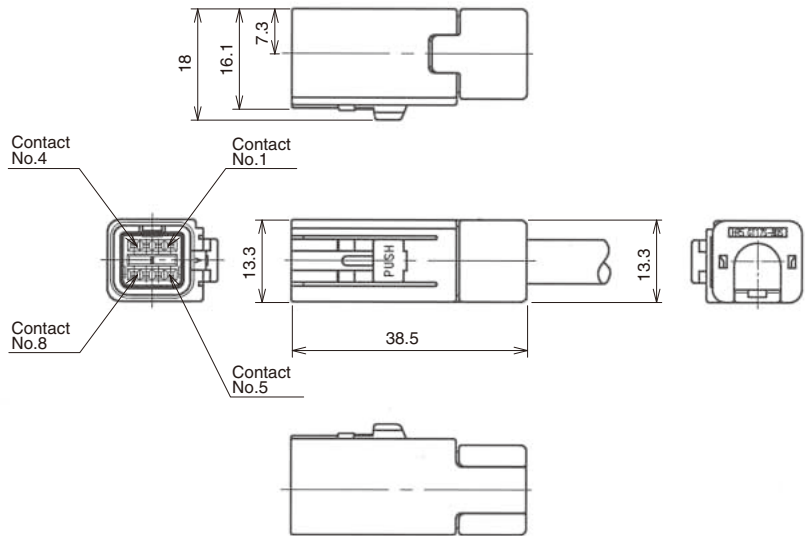
Color	Cable side connector	Board connector
Gray	GT17-8DS-HU	GT17V-8DP-DS(Cable exit direction, up side from mounting side)
		GT17VB-8DP-DS(Cable exit direction, down side from mounting side)
		GT17VB-8DP-DS-SB(Cable exit direction, down side from mounting side)
Black	GT17A-8DS-HU	GT17VA-8DP-DS(Cable exit direction, up side from mounting side)
		GT17VC-8DP-DS(Cable exit direction, down side from mounting side)
		GT17VC-8DP-DS-SB(Cable exit direction, down side from mounting side)

- GT5
- GT13
- GT16
- PO5G
- GT19
- GT21
- GT26
- GT36
- GT111
- GT17**
- GT32
- GT3
- GT7
- GT10
- GT18W
- GT25
- GT8E
- GT9
- GT15



## 8 Pos. Straight Connectors

◆By using two key codings for different purposes, incorrect insertion can be prevented.



◆The product comprises 6 parts.  
(Housing, insulator, outer terminal, shield plate, retainer, and center terminal)

● Housing

Part No.	HRS No.	Material / Plating or Color	Packaging	RoHS
GT17S-8DS-HU	767-0108-2	PBT / Light Gray	1	YES
GT17SA-8DS-HU	767-0109-5	PBT / Black		

● Insulator

Part No.	HRS No.	Material / Plating or Color	Packaging	RoHS
GT17-8DS-2C	767-0005-0	PBT / Dark Gray	1	YES

● Outer terminal

Part No.	HRS No.	Material / Plating or Color	Outer Diameter	Packaging	RoHS
GT17S-8DS-7CF	767-0106-7	Copper alloy / Tin plating	φ 6.8 to 7.2	1	YES

● Shield plate

Part No.	HRS No.	Material / Plating or Color	Packaging	RoHS
GT17S-8DS-SC	767-0107-0	Copper alloy / Tin plating	1	YES

● Retainer

Part No.	HRS No.	Material / Plating or Color	Packaging	RoHS
GT17S-8DS-R	767-0110-4	PBT / Dark Gray	1	YES

● Center terminal

Used with 6,8, and 10 pos. cable

◆Mating Table

Color	Cable side connector	Board connector
Gray	GT17S-8DS-HU	GT17V-8DP-DS
		GT17VB-8DP-DS
		GT17VB-8DP-DS-SB
Black	GT17SA-8DS-HU	GT17VA-8DP-DS
		GT17VC-8DP-DS
		GT17VC-8DP-DS-SB

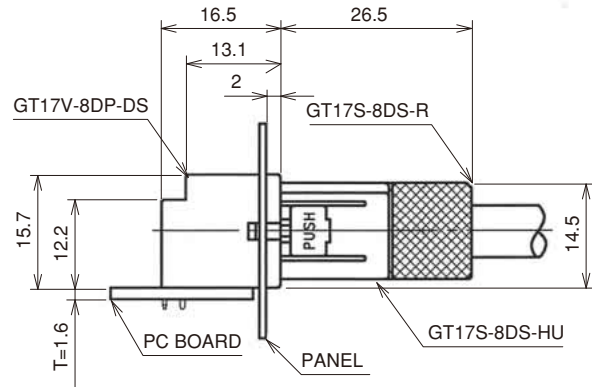
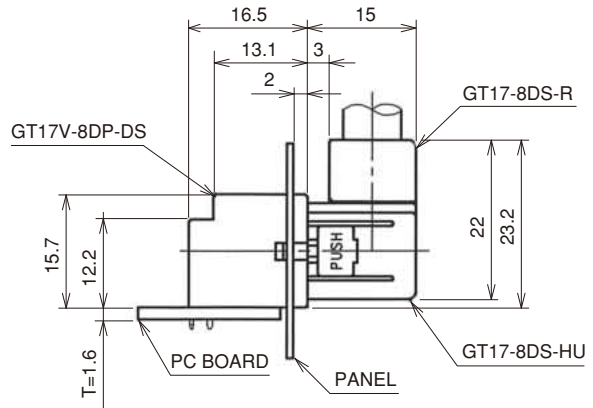
GT5  
GT13  
GT16  
PO5G  
GT19  
GT21  
GT26  
GT36  
GT11  
**GT17**  
GT32  
GT3  
GT7  
GT10  
GT18W  
GT25  
GT8E  
GT9  
GT15

## 8 Pos. Printed Circuit Board Connectors

● Cable extraction facing up



**GT17V-8DP-DS**



Part No.	HRS No.	Material / Plating or Color	Packaging	RoHS
GT17V-8DP-DS	767-0139-6	Housing: PBT/Light Gray Center terminal: Brass /Tin plating Outer terminal: Copper alloy /Tin plating	1	YES

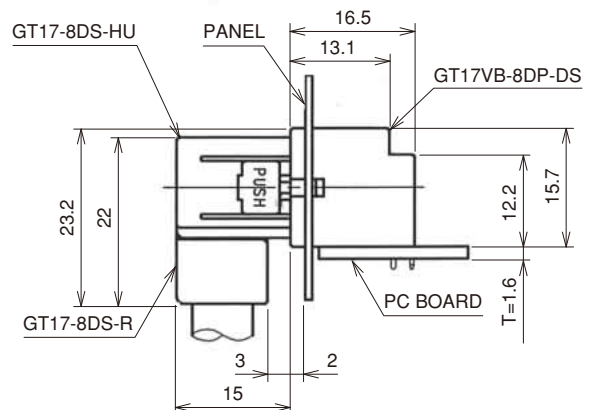
● Cable extraction facing down



**GT17VB-8DP-DS**



**GT17VB-8DP-DS-SB**  
(with enhanced shielding type)



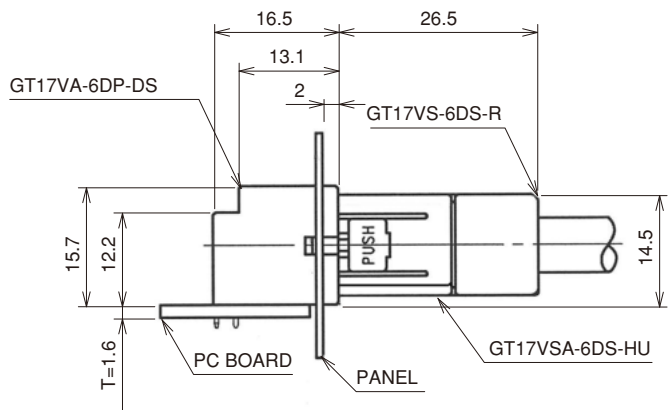
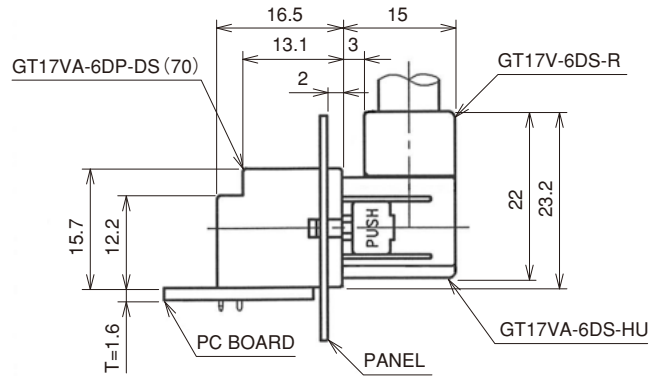
Part No.	HRS No.	Material / Plating or Color	Packaging	RoHS
GT17VB-8DP-DS	767-0185-3	Housing: PBT/Light Gray Center terminal: Brass /Tin plating Outer terminal: Copper alloy /Tin plating	1	YES
GT17VB-8DP-DS-SB	767-0123-6	Housing: PBT/Light Gray Center terminal: Brass /Tin plating Outer terminal: Copper alloy /Tin plating Shield case: Brass /Tin plating		

## 8 Pos. Printed Circuit Board Connectors

● Cable extraction facing up



**GT17VA-8DP-DS**



Part No.	HRS No.	Material / Plating or Color	Packaging	RoHS
GT17VA-8DP-DS	767-0200-5	Housing: PBT/Black Center terminal: Brass /Tin plating Outer terminal: Copper alloy /Tin plating	1	YES

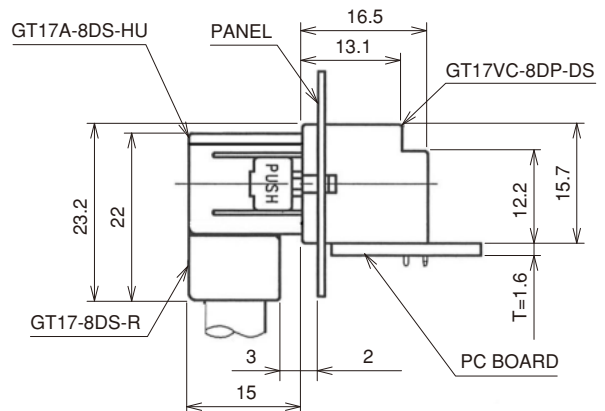
● Cable extraction facing down



**GT17VC-8DP-DS**



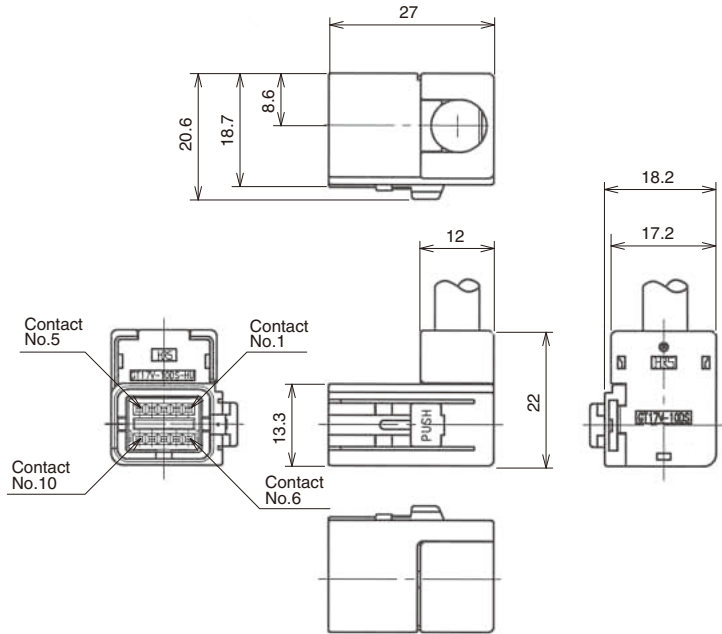
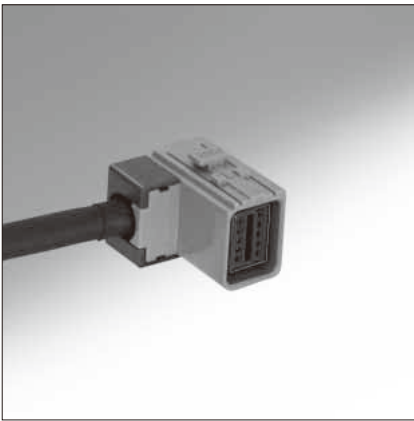
**GT17VC-8DP-DS-SB**  
(with enhanced shielding type)



Part No.	HRS No.	Material / Plating or Color	Packaging	RoHS
GT17VC-8DP-DS	767-0199-8	Housing: PBT/Black Center terminal: Brass /Tin plating Outer terminal: Copper alloy /Tin plating	1	YES
GT17VC-8DP-DS-SB	767-0124-9	Housing: PBT/Black Center terminal: Brass /Tin plating Outer terminal: Copper alloy /Tin plating Shield Case: Brass /Tin plating		

## ■ 10 Pos. Right-angle Connectors

◆By using two key codings for different purposes, incorrect insertion can be prevented.



◆The product comprises 6 parts.

(Housing, insulator, outer terminal, shield plate, retainer, and center terminal)

● Housing

Part No.	HRS No.	Material / Plating or Color	Packaging	RoHS
GT17V-10DS-HU	767-0039-1	PBT / Light Gray	1	YES
GT17VA-10DS-HU	767-0040-0	PBT / Black		

● Insulator

Part No.	HRS No.	Material / Plating or Color	Packaging	RoHS
GT17V-10DS-2C	767-0036-3	PBT / Dark Gray	1	YES

● Outer terminal

Part No.	HRS No.	Material / Plating or Color	Outer Diameter	Packaging	RoHS
GT17V-10DS-8CF	767-0037-6	Copper alloy / Tin plating	φ 7.5 to 8	1	YES

● Shield plate

Part No.	HRS No.	Material / Plating or Color	Packaging	RoHS
GT17V-10DS-SC	767-0038-9	Copper alloy / Tin plating	1	YES

● Retainer

Part No.	HRS No.	Material / Plating or Color	Packaging	RoHS
GT17V-10DS-R	767-0041-3	PBT / Dark Gray	1	YES

● Center terminal

Used with 6,8, and 10 pos. cable

◆Mating Table

Color	Cable side connector	Board connector
Gray	GT17V-10DS-HU	GT17V-10DP-DS(70)(Cable exit direction, up side from mounting side)
		GT17V-10DP-DSA(70)(Straight type)
		GT17V-10DP-DS-SB(70)(Cable exit direction, up side from mounting side)
		GT17V-10DP-DSA-SB(Straight type)
Black	GT17VA-10DS-HU	GT17VA-10DP-DS(70)(Cable exit direction, up side from mounting side)
		GT17VA-10DP-DSA(70)(Straight type)
		GT17VA-10DP-DS-SB(70)(Cable exit direction, up side from mounting side)
		GT17VA-10DP-DSA-SB(Straight type)

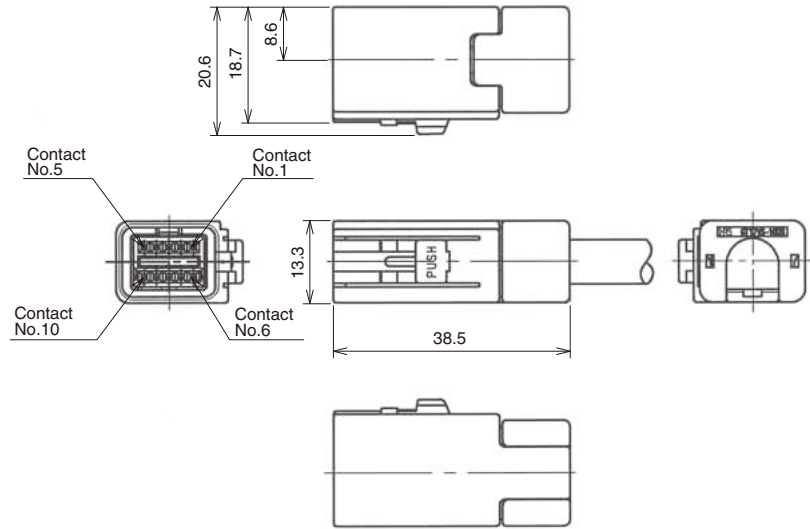
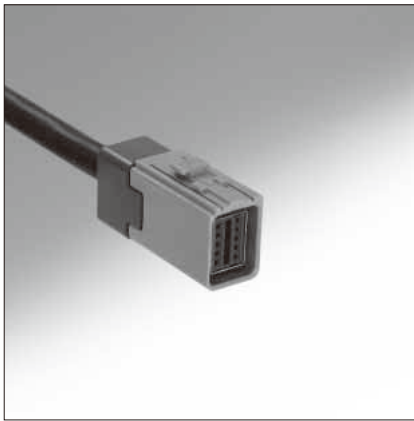
- GT5
- GT13
- GT16
- PO5G
- GT19
- GT21
- GT26
- GT36
- GT11
- GT17**
- GT32
- GT3
- GT7
- GT10
- GT18W
- GT25
- GT8E
- GT9
- GT15

Dec.1.2018 Copyright © 2018 HIROSE ELECTRIC CO., LTD. All Rights Reserved.

GT5  
GT13  
GT16  
PO5G  
GT19  
GT21  
GT26  
GT36  
GT11  
GT17  
GT32  
GT3  
GT7  
GT10  
GT18W  
GT25  
GT8E  
GT9  
GT15

## ■ 10 Pos. Straight Connectors

◆By using two key codings for different purposes, incorrect insertion can be prevented.



◆The product comprises 6 parts.

(Housing, insulator, outer terminal, shield plate, retainer, and center terminal)

● Housing

Part No.	HRS No.	Material / Plating or Color	Packaging	RoHS
GT17VS-10DS-HU	767-0061-0	PBT / Light Gray	1	YES
GT17VSA-10DS-HU	767-0062-3	PBT / Black		

● Insulator

Part No.	HRS No.	Material / Plating or Color	Packaging	RoHS
GT17V-10DS-2C	767-0036-3	PBT / Dark Gray	1	YES

● Outer terminal

Part No.	HRS No.	Material / Plating or Color	Outer Diameter	Packaging	RoHS
GT17VS-10DS-8CF	767-0059-9	Copper alloy / Tin plating	φ 7.5 to 8	1	YES

● Shield plate

Part No.	HRS No.	Material / Plating or Color	Packaging	RoHS
GT17VS-10DS-SC	767-0060-8	Copper alloy / Tin plating	1	YES

● Retainer

Part No.	HRS No.	Material / Plating or Color	Packaging	RoHS
GT17VS-10DS-R	767-0063-6	PBT / Dark Gray	1	YES

● Center terminal

Used with 6,8, and 10 pos. cable

◆Mating Table

Color	Cable side connector	Board connector
Gray	GT17VS-10DS-HU	GT17V-10DP-DS (70)
		GT17V-10DP-DSA (70)
		GT17V-10DP-DS-SB (70)
		GT17V-10DP-DSA-SB
Black	GT17VSA-10DS-HU	GT17VA-10DP-DS (70)
		GT17VA-10DP-DSA (70)
		GT17VA-10DP-DS-SB (70)
		GT17VA-10DP-DSA-SB

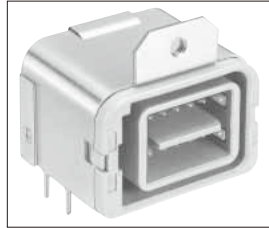
## 10 Pos. Printed Circuit Board Connectors

◆By using two key codings for different purposes, incorrect insertion can be prevented.

### ● Right-angle type

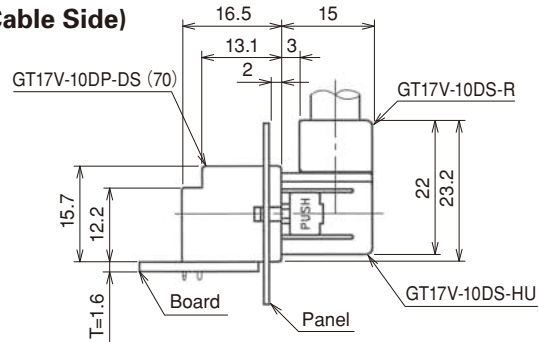


GT17V-10DP-DS(70)

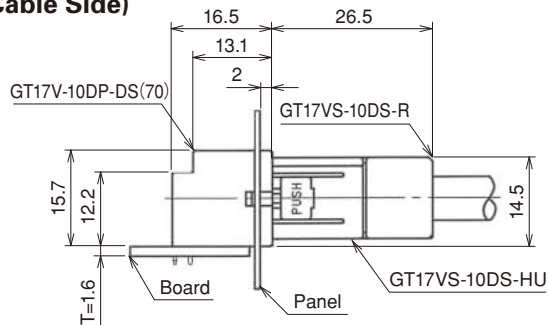


GT17V-10DP-DS-SB(70)  
(with enhanced shielding type)

### In Combination with a Right-angle Connector (Cable Side)

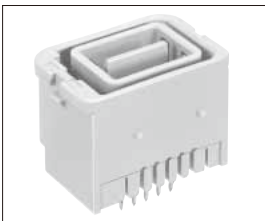


### In Combination with a Straight Connector (Cable Side)



Part No.	HRS No.	Material / Plating or Color	Packaging	RoHS
GT17V-10DP-DS(70)	767-0034-8 70	Housing: PBT/Light Gray Center terminal: Brass /Tin plating Outer terminal: Copper alloy /Tin plating	1	YES
GT17V-10DP-DS-SB(70)	767-0069-2 70	Housing: PBT/Light Gray Center terminal: Brass /Tin plating Outer terminal: Copper alloy /Tin plating Shield case: Brass /Tin plating		

### ● Straight-type

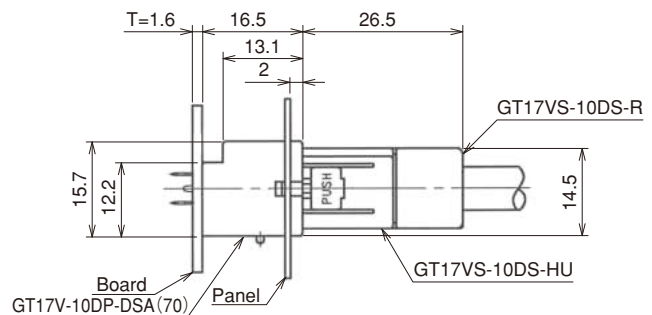


GT17V-10DP-DSA(70)



GT17V-10DP-DSA-SB  
(with enhanced shielding type)

### In Combination with a Straight Connector (Cable Side)

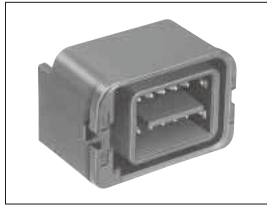


Part No.	HRS No.	Material / Plating or Color	Packaging	RoHS
GT17V-10DP-DSA(70)	767-0067-7 70	Housing: PBT/Light Gray Center terminal: Brass /Tin plating Outer terminal: Copper alloy /Tin plating	1	YES
GT17V-10DP-DSA-SB	767-0154-0	Housing: PBT/Light Gray Center terminal: Brass /Tin plating Outer terminal: Copper alloy /Tin plating Shield case: Brass /Tin plating		

## 10 Pos. Printed Circuit Board Connectors

◆By using two key codings for different purposes, incorrect insertion can be prevented.

### ●Right-angle type

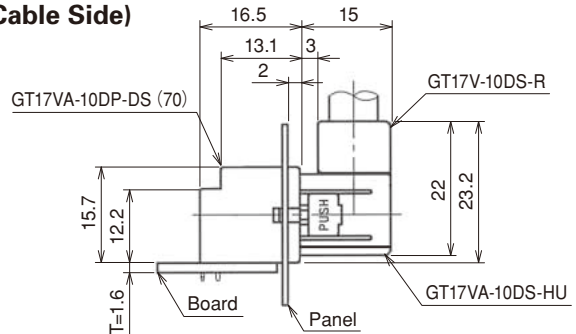


GT17VA-10DP-DS(70)

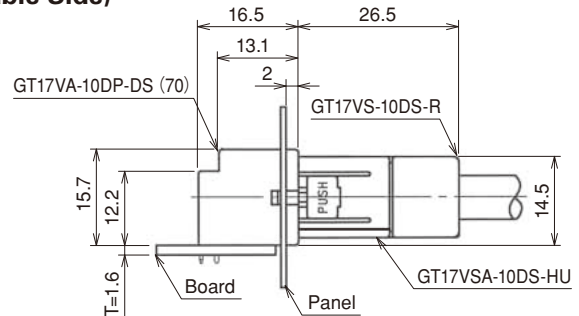


GT17VA-10DP-DS-SB(70)  
(with enhanced shielding type)

### In Combination with a Right-angle Connector (Cable Side)

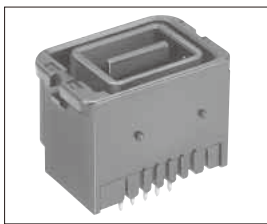


### In Combination with a Straight Connector (Cable Side)



Part No.	HRS No.	Material / Plating or Color	Packaging	RoHS
GT17VA-10DP-DS(70)	767-0035-0 70	Housing: PBT/Black Center terminal: Brass /Tin plating Outer terminal: Copper alloy /Tin plating	1	YES
GT17VA-10DP-DS-SB(70)	767-0070-1 70	Housing: PBT/Black Center terminal: Brass /Tin plating Outer terminal: Copper alloy /Tin plating Shield case: Brass /Tin plating		

### ●Straight-type

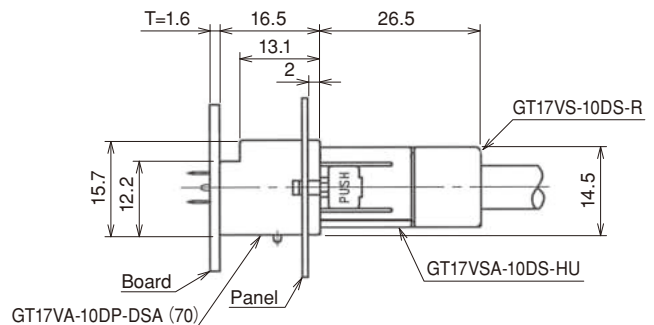


GT17VA-10DP-DSA(70)



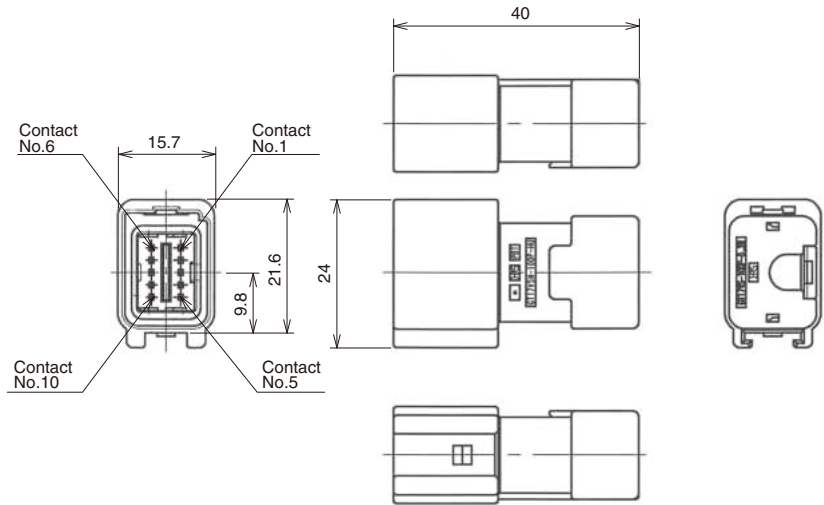
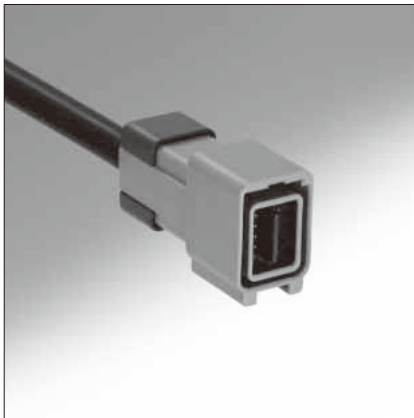
GT17VA-10DP-DSA-SB  
(with enhanced shielding type)

### In Combination with a Straight Connector (Cable Side)



Part No.	HRS No.	Material / Plating or Color	Packaging	RoHS
GT17VA-10DP-DSA(70)	767-0068-0 70	Housing: PBT/Black Center terminal: Brass /Tin plating Outer terminal: Copper alloy /Tin plating	1	YES
GT17VA-10DP-DSA-SB	767-0174-7	Housing: PBT/Black Center terminal: Brass /Tin plating Outer terminal: Copper alloy /Tin plating Shield case: Brass /Tin plating		

## 10 Pos. In-line Connectors



◆The product comprises 6 parts.

(Housing, insulator case, outer terminal, shield plate, retainer, and center terminal)

● Housing

Part No.	HRS No.	Material / Plating or Color	Packaging	RoHS
GT17VSN-10DP-HU	767-0115-8	PBT / Light Gray	1	YES

● Insulator

Part No.	HRS No.	Material / Plating or Color	Packaging	RoHS
GT17V-10DP-2C	767-0112-0	PBT / Dark Gray	1	YES

● Outer terminal

Part No.	HRS No.	Material / Plating or Color	Outer Diameter	Packaging	RoHS
GT17VS-10DP-5.2CF	767-0114-5	Copper alloy / Tin plating	φ5.0 to 5.4	1,224 pcs/pack	YES
GT17VS-10DP-8CF	767-0130-1		φ7.5 to 8.0		

● Shield plate

Part No.	HRS No.	Material / Plating or Color	Packaging	RoHS
GT17VS-10DP-SC	767-0113-2	Copper alloy / Tin plating	1,224 pcs/pack	YES

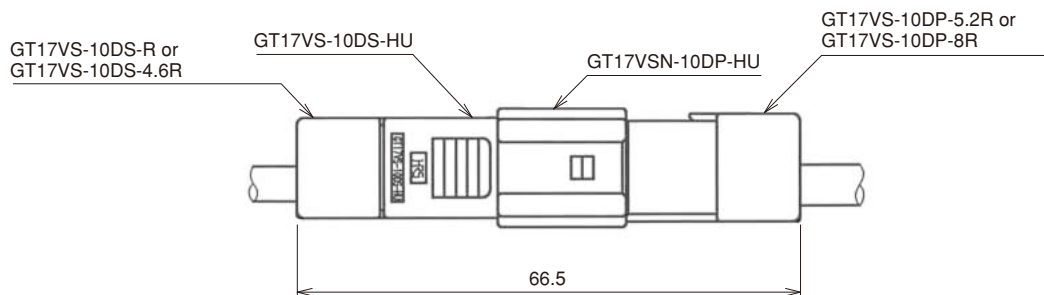
● Retainer

Part No.	HRS No.	Material / Plating or Color	Packaging	RoHS
GT17VS-10DP-5.2R	767-0111-7	PBT / Dark Gray	1	YES
GT17VS-10DP-8R	767-0131-4			

● Center terminal

Used with 6, and 10 pos. cable

◆Mated condition

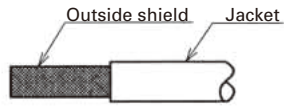


- GT5
- GT13
- GT16
- PO5G
- GT19
- GT21
- GT26
- GT36
- GT11
- GT17**
- GT32
- GT3
- GT7
- GT10
- GT18W
- GT25
- GT8E
- GT9
- GT15

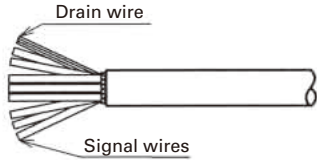


## ◆ Wiring Method

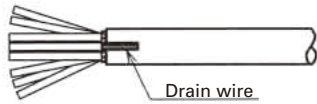
① Strip the Jacket.



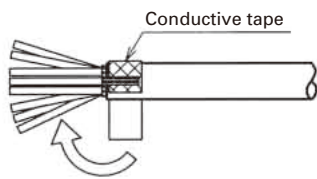
② Cut the shield and intermediate material to expose the wire and braid.



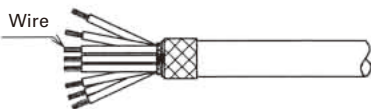
③ Bend back the drain wire over the Jacket.



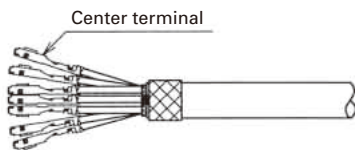
④ Wrap with conductive tape.



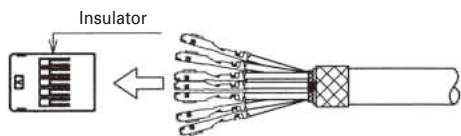
⑤ Strip the wire leads.



⑥ Crimp the center terminals.

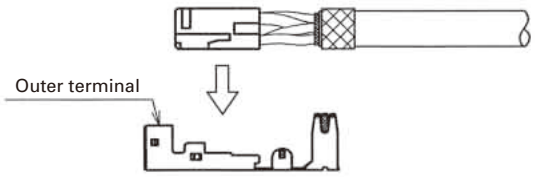


⑦ Insert the center terminals into the insulator.

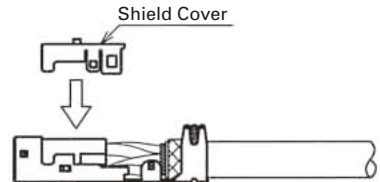


### GT17V-10DS-HU Harness Finish

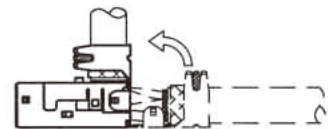
⑧ Insert the insulator into the Outer terminal.



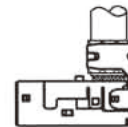
⑨ Insert the Shield Cover.



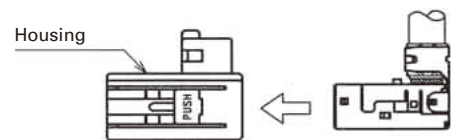
⑩ Fold back the Outer terminal.



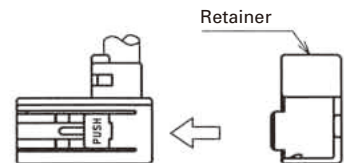
⑪ Crimp the Outer terminal.



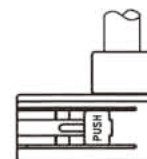
⑫ Insert the Outer terminal into the housing.



⑬ Insert the retainer.



⑭ Completion



\*Crimp height setting tables are available for each cable type. Please contact your nearest Hirose Electric account representative. Different cables will require different crimp height settings.

Dec.1.2018 Copyright © 2018 HIROSE ELECTRIC CO., LTD. All Rights Reserved.

GT5

GT13

GT16

PO5G

GT19

GT21

GT26

GT36

GT11

GT17

GT32

GT3

GT7

GT10

GT18W

GT25

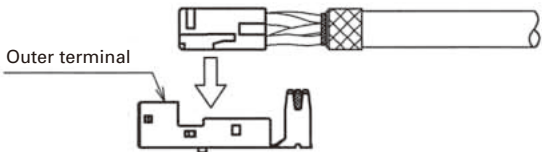
GT8E

GT9

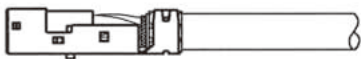
GT15

**GT17VS-10DS-HU Harness Finish**

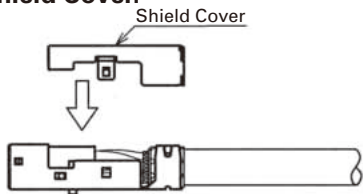
⑧ Insert the insulator into the Outer terminal.



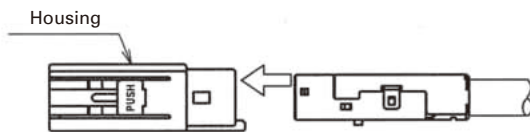
⑨ Crimp the Outer terminal.



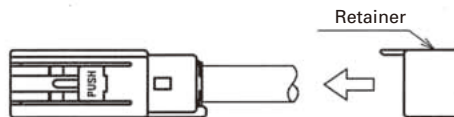
⑩ Insert the Shield Cover.



⑪ Insert the Outer terminal into the housing.



⑫ Insert the retainer.



⑬ Completion



Dec.1.2018 Copyright © 2018 HIROSE ELECTRIC CO., LTD. All Rights Reserved.

GT5

GT13

GT16

PO5G

GT19

GT21

GT26

GT36

GT11

**GT17**

GT32

GT3

GT7

GT10

GT18W

GT25

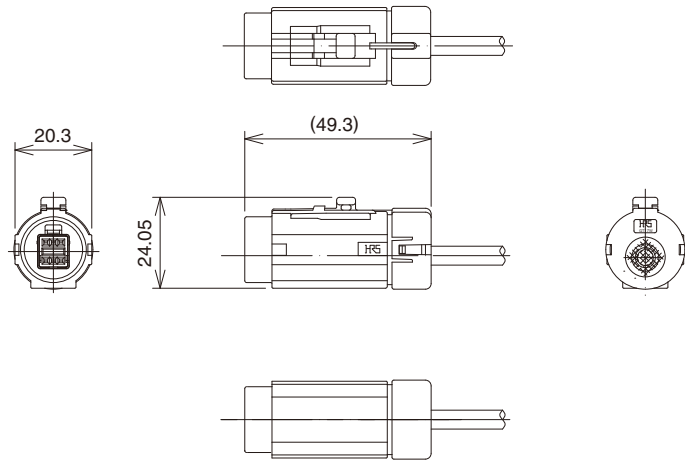
GT8E

GT9

GT15

## ■ 6 pos. In-line Type (Waterproof Type)

### ● F Connectors



◆ The product comprises 6 parts.  
(Housing, insulator, outer terminal, shield plate, and center terminal)

● Housing

Part No.	HRS No.	Material / Plating or Color	Packaging	RoHS
GT17W-6S-HU	767-0214-0	PBT / Light Gray	1	YES

● Insulator

Part No.	HRS No.	Material / Plating or Color	Packaging	RoHS
GT17V-6DS-2C	767-0026-0	PBT / Dark Gray	1	YES

● Outer terminal

Part No.	HRS No.	Material / Plating or Color	Outer Diameter	Packaging	RoHS
GT17VS-6DS-5CF	767-0050-4	Copper alloy / Tin plating	φ4.8 to 5.2	1	YES

● Shield plate

Part No.	HRS No.	Material / Plating or Color	Packaging	RoHS
GT17VS-6DS-SC	767-0049-5	Copper alloy / Tin plating	1	YES

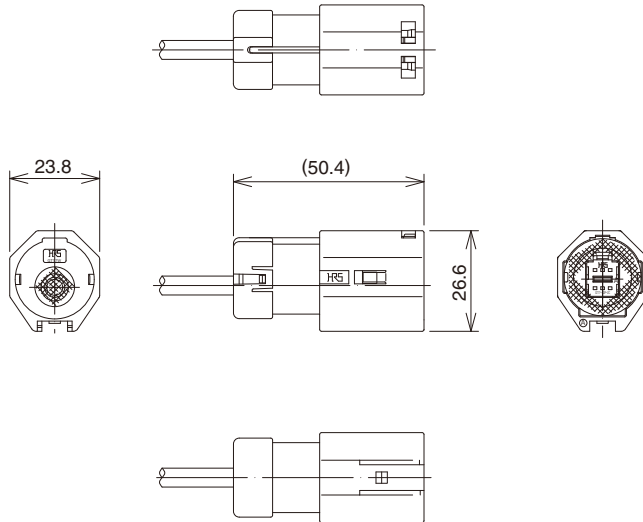
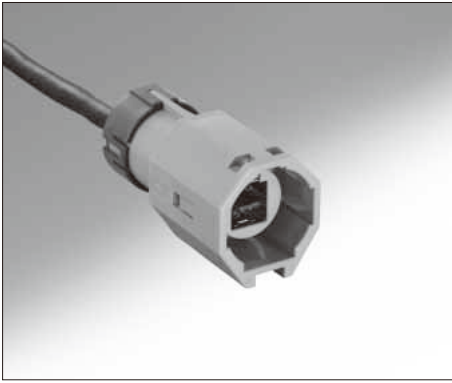
● Retainer

Part No.	HRS No.	Material / Plating or Color	Packaging	RoHS
GT17W-1P/S-R	767-0216-5	PBT / Dark Gray Silicon/White	1	YES

● Center terminal

Used with 6,8 and 10 Pos. cable

## M Connectors



◆The product comprises 6 parts.  
(Housing, insulator, outer terminal, shield plate, and center terminal)

● Housing

Part No.	HRS No.	Material / Plating or Color	Packaging	RoHS
GT17W-6PP-HU	767-0215-2	PBT / Light Gray Silicon / White	1	YES

● Insulator

Part No.	HRS No.	Material / Plating or Color	Packaging	RoHS
GT17V-6DP-2C	767-0078-3	PBT / Dark Gray	1	YES

● Outer terminal

Part No.	HRS No.	Material / Plating or Color	Outer Diameter	Packaging	RoHS
GT17VS-6DP-5CF	767-0080-5	Copper alloy / Tin plating	φ4.8 to 5.2	1	YES

● Shield plate

Part No.	HRS No.	Material / Plating or Color	Packaging	RoHS
GT17VS-6DP-SC	767-0079-6	Copper alloy / Tin plating	1	YES

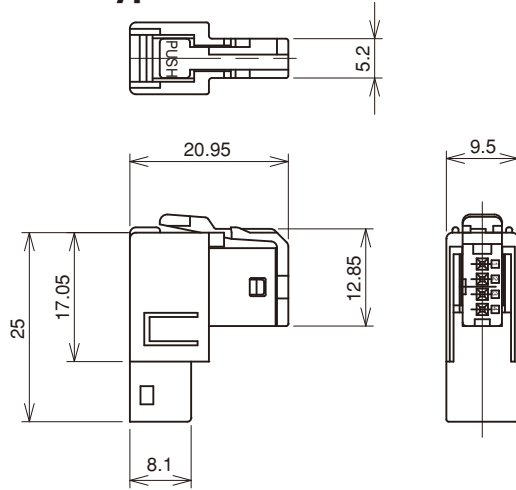
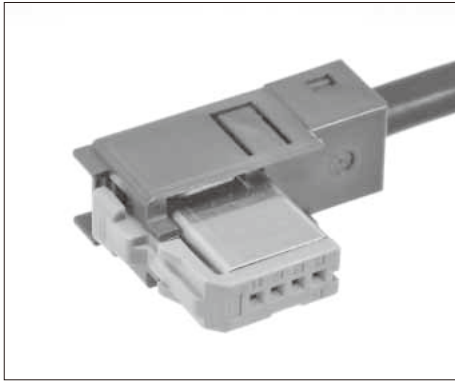
● Retainer

Part No.	HRS No.	Material / Plating or Color	Packaging	RoHS
GT17W-1P/S-R	767-0216-5	PBT / Dark Gray Silicon / White	1	YES

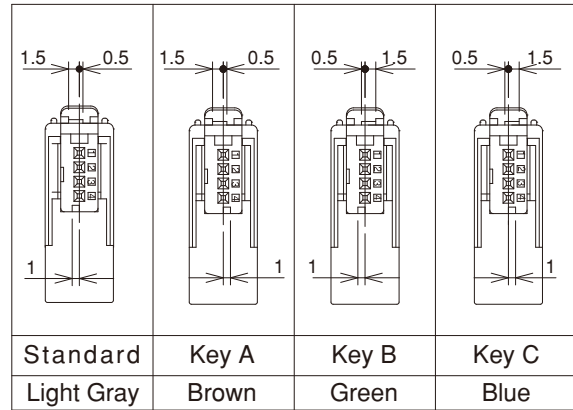
● Center terminal

Used with 6, and 10 Pos. cable

## ■ 4 pos. Right-angle Connector (1 Row type)



### Key Variation



◆ The product comprises 5 parts.  
(Housing, insulator, outer terminal, retainer, center terminal)

#### ● Housing

Part No.	HRS No.	Material / Plating or Color	Packaging	Remarks	RoHS
GT17H-4S-HU	767-0085-9	PBT / Dark Gray	1	—	YES
GT17H2-4S-HU	767-0245-3			With lock guard	

#### ● Insulator

Part No.	HRS No.	Material / Plating or Color	Packaging	RoHS
GT17H-4S-2C	767-0084-6	PBT / Light Gray	1	YES
GT17H-4S-2C(A)	767-0167-1	PBT / Brown		
GT17H-4S-2C(B)	767-0168-4	PBT / Green		
GT17H-4S-2C(C)	767-0169-7	PBT / Blue		

#### ● Outer terminal

Part No.	HRS No.	Material / Plating or Color	Outer Diameter	Packaging	RoHS
GT17H-4S-5CF	767-0087-4	Copper alloy / Tin plating	φ4.8 to 5.2	1	YES

#### ● Retainer

Part No.	HRS No.	Material / Plating or Color	Packaging	RoHS
GT17H-4S-R	767-0086-1	PBT / Dark Gray	1	YES

#### ● Center terminal

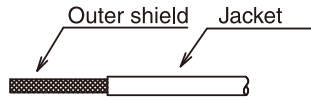
Part No.	HRS No.	Material / Plating or Color	Conductor Size(AWG)	Outer Diameter	Packaging	RoHS
GT8-2428SCF(70)	758-0001-8 70	Phosphor Bronze / Tin plating	24 to 28 AWG	φ0.8 to 1.5	10,000 pcs/reel	YES

### ◆ Mating Table

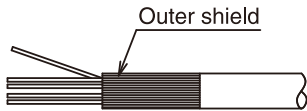
Color	Cable side connector	Board connector		
		SMT Type	DIP Type	
			Angle Type	Straight Type
Light Gray	GT17H-4S-ASSY	GT17H-4P-2H/GT17HR-4P-2H	GT17H-4P-2DS	GT17H-4P-2DSA
Brown	GT17H-4S-ASSY(Key typeA)	GT17H-4P-2H(A)	GT17H-4P-2DS(A)	GT17H-4P-2DSA(A)
Green	GT17H-4S-ASSY(Key typeB)	GT17H-4P-2H(B)	GT17H-4P-2DS(B)	GT17H-4P-2DSA(B)
Blue	GT17H-4S-ASSY(Key typeC)	GT17H-4P-2H(C)	GT17H-4P-2DS(C)	GT17H-4P-2DSA(C)

## ◆ Wiring Method (4 Pos. Right-angle 1 Row Type)

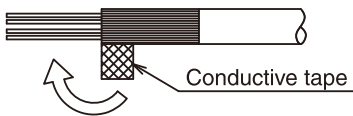
### ① Strip Jacket.



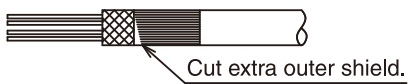
### ② Turn Outer shield to Backward.



### ③ Cover the cable by conductive tape.



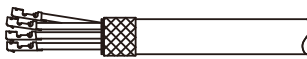
### ④ Cut extra outer shield.



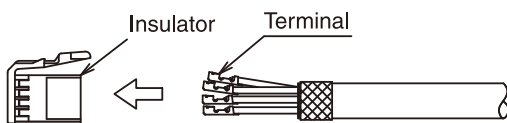
### ⑤ Strip Jacket.



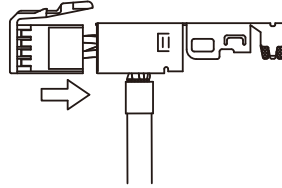
### ⑥ Crimp the terminal.



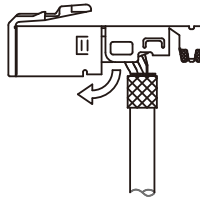
### ⑦ Insert center terminal to the insulator.



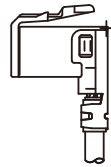
### ⑧ Insert insulator to the outer terminal.



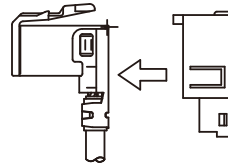
### ⑨ Bent the outer tube terminal.



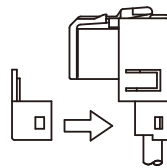
### ⑩ Crimp the outer tube terminal.



### ⑪ Insert the assembled outer tube terminal to the housing.

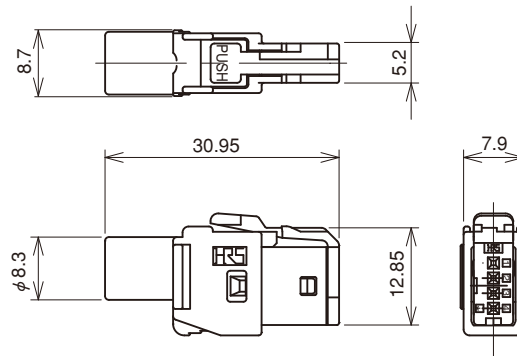


### ⑫ Set the Retainer.



\* Concerning the crimp height of terminals, crimp height settings have been prepared for each type of cable. Please contact a Hirose Electric account representative for further information.  
Please note that new crimp height settings will be made for new cables and that this might take several days.  
terminal insertion jig(GT17-4S/PR-MD)

## ■ 4 Pos. Straight Connectors (1 Row type)



### Key Variation

Standard	Key A	Key B	Key C
Light Gray	Brown	Green	Blue

◆The product comprises 4 parts.  
(Housing, insulator, outer terminal, center terminal)

● Housing

Part No.	HRS No.	Material / Plating or Color	Packaging	Remarks	RoHS
GT17HS-4S-HU	767-0133-0	PBT / Dark Gray	1	—	YES
GT17HSK-4S-HU	767-0244-0			With lock guard	

● Insulator

Part No.	HRS No.	Material / Plating or Color	Packaging	RoHS
GT17H-4S-2C	767-0084-6	PBT / Light Gray	1	YES
GT17H-4S-2C(A)	767-0167-1	PBT / Brown		
GT17H-4S-2C(B)	767-0168-4	PBT / Green		
GT17H-4S-2C(C)	767-0169-7	PBT / Blue		

● Outer terminal

Part No.	HRS No.	Material / Plating or Color	Outer Diameter	Packaging	RoHS
GT17HS-4S-5CF	767-0135-5	Copper alloy / Tin plating	φ4.8 to 5.2	1	YES

● Center terminal

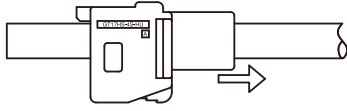
Part No.	HRS No.	Material / Plating or Color	Conductor Size(AWG)	Outer Diameter	Packaging	RoHS
GT8-2428SCF(70)	758-0001-8 70	Phosphor Bronze / Tin plating	24 to 28 AWG	φ0.8 to 1.5	10,000 pcs/reel	YES

### ◆Mating Table

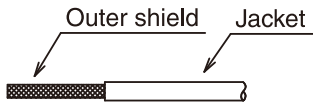
Color	Cable side connector	Board connector		
		SMT Type	DIP Type	
			Angle Type	Straight Type
Light Gray	GT17H-4S-ASSY	GT17H-4P-2H/GT17HR-4P-2H	GT17H-4P-2DS	GT17H-4P-2DSA
Brown	GT17H-4S-ASSY(Key typeA)	GT17H-4P-2H(A)	GT17H-4P-2DS(A)	GT17H-4P-2DSA(A)
Green	GT17H-4S-ASSY(Key typeB)	GT17H-4P-2H(B)	GT17H-4P-2DS(B)	GT17H-4P-2DSA(B)
Blue	GT17H-4S-ASSY(Key typeC)	GT17H-4P-2H(C)	GT17H-4P-2DS(C)	GT17H-4P-2DSA(C)

## ◆ Wiring Method (4 Pos. Straight 1 RowType)

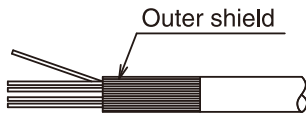
- ① Insert housing to the cable.



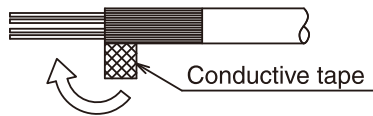
- ② Strip Jacket.



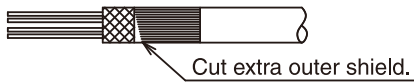
- ③ Turn Outer shield to backward.



- ④ Cover the cable by conductive tape.



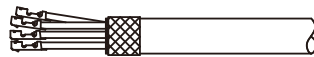
- ⑤ Cut extra outer shield.



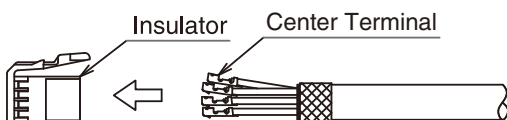
- ⑥ Strip Jacket.



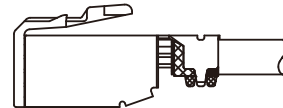
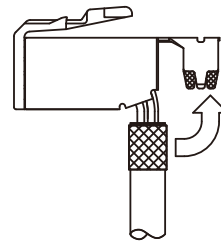
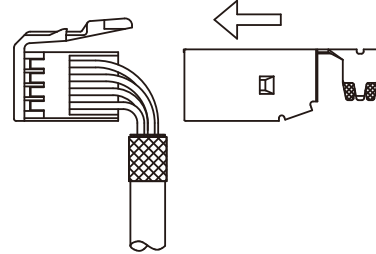
- ⑦ Crimp the terminal.



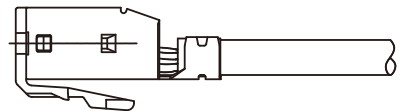
- ⑧ Insert terminal to the Insulator.



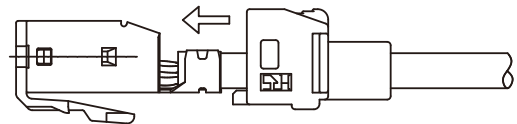
- ⑨ Set outer tube terminal to the insulator.



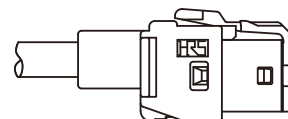
- ⑩ Crimp outer terminal.



- ⑪ Slide up housing to outer terminal.



- ⑫ Finish.



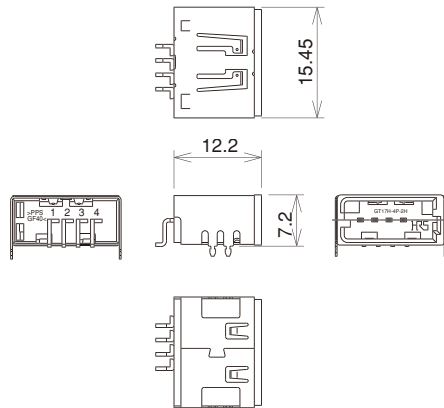
\* Concerning the crimp height of terminals, crimp height settings have been prepared for each type of cable. Please contact a Hirose Electric account representative for further information.  
Please note that new crimp height settings will be made for new cables and that this might take several days.  
terminal insertion jig(GT17-4S/PR-MD)



## ■ 4 Pos. Board Connectors (1 Row type, Right-angle SMT Type, Right side key)



**GT17H-4P-2H**



### Key Variation

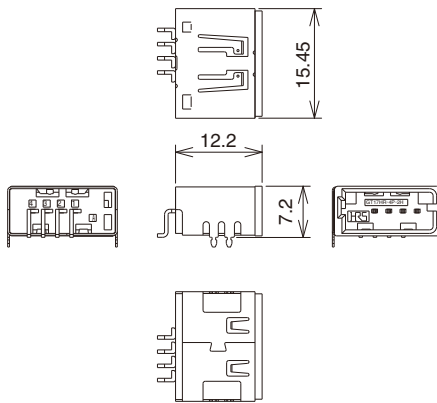
Standard Light Gray	Key B Green
Key A Brown	Key C Blue

Part No.	HRS No.	Color	Material / Plating	Packaging	RoHS
GT17H-4P-2H	767-0083-3	Light Gray	Housing:PPS	400 pcs/reel	YES
GT17H-4P-2H(A)	767-0170-6	Brown	Center terminal:Brass/Tin plating		
GT17H-4P-2H(B)	767-0171-9	Green	Outer terminal:Copper alloy/Tin plating		
GT17H-4P-2H(C)	767-0172-1	Blue			

## ■ 4 Pos. SMT Connector(1 Row type, Left side key)



**GT17HR-4P-2H**



Standard Light Gray

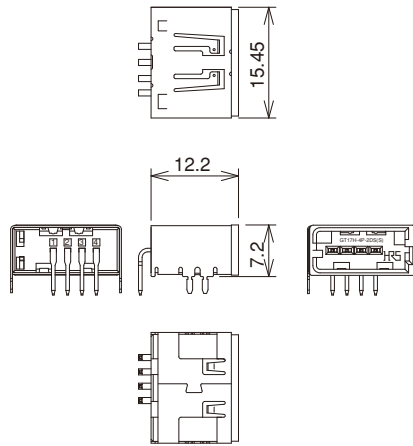
Part No.	HRS No.	Color	Material / Plating	Packaging	RoHS
GT17HR-4P-2H	767-0146-1	Light Gray	Housing:PPS Center terminal:Brass/Tin plating Outer terminal:Copper alloy/Tin plating	400 pcs/reel	YES

GT5  
GT13  
GT16  
PO5G  
GT19  
GT21  
GT26  
GT36  
GT11  
GT17  
GT32  
GT3  
GT7  
GT10  
GT18W  
GT25  
GT8E  
GT9  
GT15

### ■ 4 Pos. Printed Circuit Board Connector (Right angle DIP type)



**GT17H-4P-2DS**



#### Key Variation

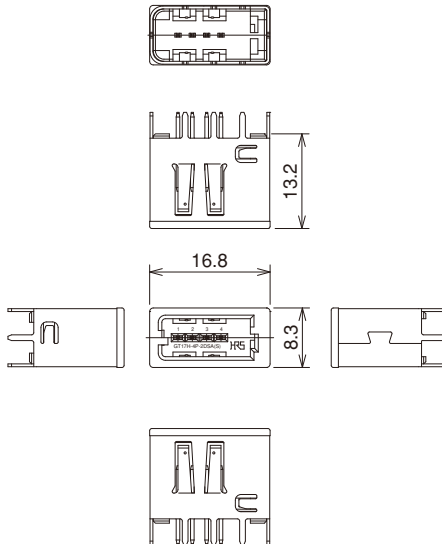
Standard	Key B
Light Gray	Green
Key A	Key C
Brown	Blue

Part No.	HRS No.	Color	Material / Plating	Packaging	RoHS
GT17H-4P-2DS	767-0166-9	Light Gray	Housing:PPS Center terminal:Brass/Tin plating Outer terminal:Copper alloy/Tin plating	300pcs/reel	YES
GT17H-4P-2DS(A)	767-0210-9	Brown			
GT17H-4P-2DS(B)	767-0211-1	Green			
GT17H-4P-2DS(C)	767-0212-4	Blue			

### ■ 4 Pos. Printed Circuit Board Connector (Straight DIP type)



**GT17H-4P-2DSA**

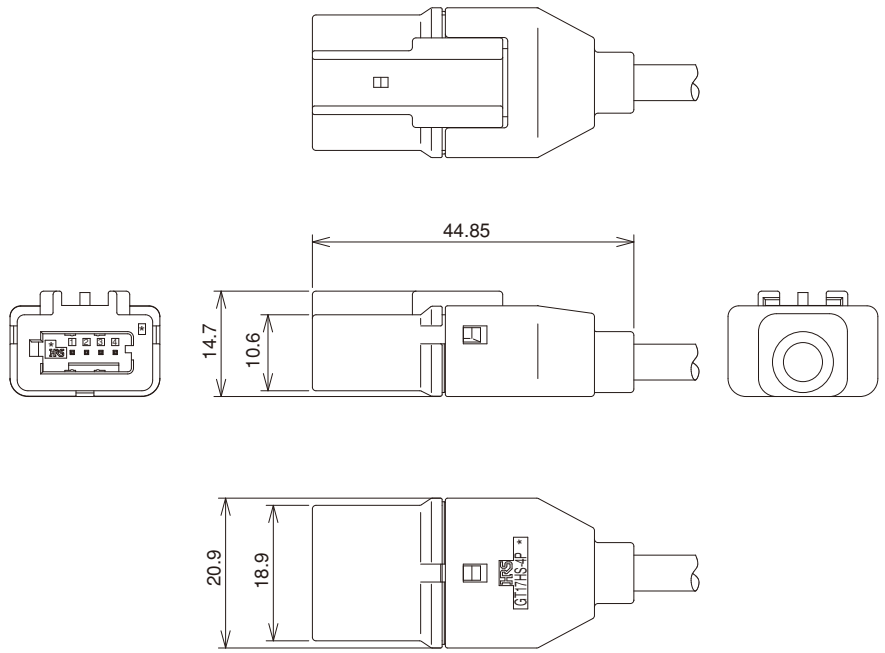
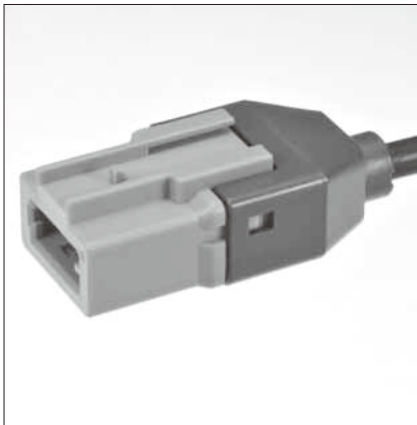


#### Key Variation

Standard	Key B
Light Gray	Green
Key A	Key C
Brown	Blue

Part No.	HRS No.	Color	Material / Plating	Packaging	RoHS
GT17H-4P-2DSA	767-0181-2	Light Gray	Housing:PPS Center terminal:Brass/Tin plating Outer terminal:Copper alloy/Tin plating	1	YES
GT17H-4P-2DSA(A)	767-0182-5	Brown			
GT17H-4P-2DSA(B)	767-0183-8	Green			
GT17H-4P-2DSA(C)	767-0184-0	Blue			

## 4 Pos. In-line Connectors



◆The product comprises 6 parts.  
(Housing, insulator, outer terminal, shield plate, retainer, and center terminal)

● Housing

Part No.	HRS No.	Material / Plating or Color	Packaging	RoHS
GT17HSP-4P-HU	767-0158-0	PBT / Light Gray	1	YES
GT17HSP-4P-HU(A)	767-0192-9	PBT / Brown		
GT17HSP-4P-HU(B)	767-0193-1	PBT / Green		
GT17HSP-4P-HU(C)	767-0194-4	PBT / Blue		

● Insulator

Part No.	HRS No.	Material / Plating or Color	Packaging	RoHS
GT17HS-4P-2C	767-0155-2	PBT / Light Gray	1	YES

● Outer terminal

Part No.	HRS No.	Material / Plating or Color	Outer Diameter	Packaging	RoHS
GT17HS-4P-5CF	767-0156-5	Copper alloy / Tin plating	φ4.8 to 5.2	800 pcs/reel	YES

● Shield plate

Part No.	HRS No.	Material / Plating or Color	Packaging	RoHS
GT17HS-4P-SC	767-0157-8	Copper alloy / Tin plating	1	YES

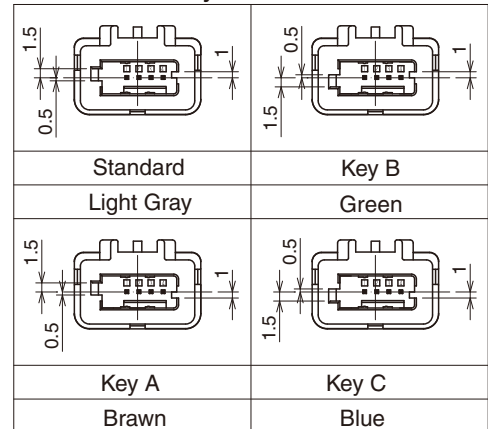
● Retainer

Part No.	HRS No.	Material / Plating or Color	Packaging	RoHS
GT17HS-4P-R	767-0159-3	PBT / Dark Gray	1	YES

● Center terminal

Part No.	HRS No.	Material / Plating or Color	Conductor Size(AWG)	Outer Diameter	Packaging	RoHS
GT8E-2428PCF	758-0067-6	Phosphor Bronze / Tin plating	24 to 28 AWG	φ0.9 to 1.1	10,000 pcs/reel	YES

### Key Variation

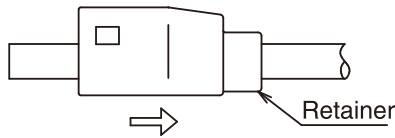


### ◆Mating Table

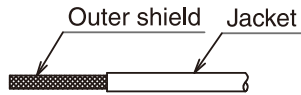
Color	GT17HS-4Pos In-line connector	Cable side F connector
Light Gray	GT17HSP-4P-ASSY	GT17H-4S-ASSY
Brown	GT17HSP-4P-ASSY(Key typeA)	GT17H-4S-ASSY(Key typeA)
Green	GT17HSP-4P-ASSY(Key typeB)	GT17H-4S-ASSY(Key typeB)
Blue	GT17HSP-4P-ASSY(Key typeC)	GT17H-4S-ASSY(Key typeC)

## ◆ Wiring Method (4 Pos. In-line Connector)

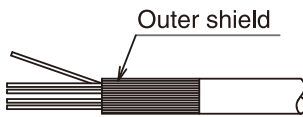
- ① Insert retainer to the cable.



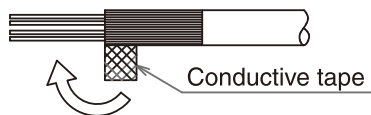
- ② Strip Jacket.



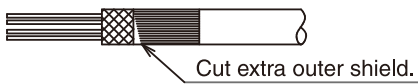
- ③ Turn Outer shield to backward.



- ④ Cover the cable by conductive tape.



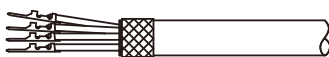
- ⑤ Cut extra outer shield.



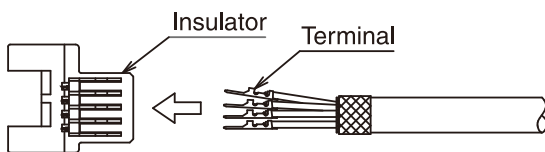
- ⑥ Strip Jacket.



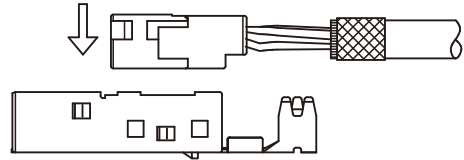
- ⑦ Crimp the terminal.



- ⑧ Insert terminal to the Insulator.



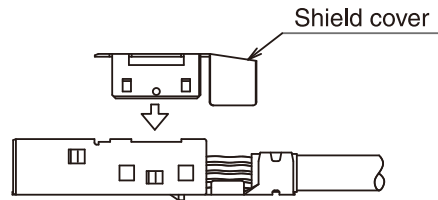
- ⑨ Set the insulator to the outer tube terminal.



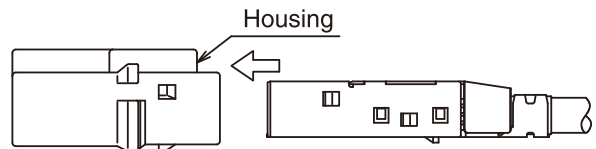
- ⑩ Crimp the outertube terminal.



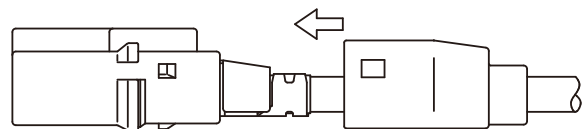
- ⑪ Set the shield cover to the outer tube terminal.



- ⑫ Insert the outer tube terminal to the housing.



- ⑬ Slide up the retainer to the housing.



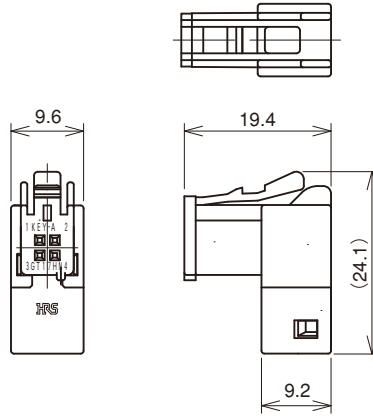
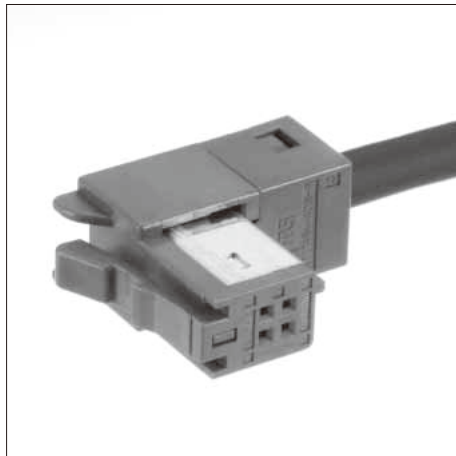
- ⑭ Finish



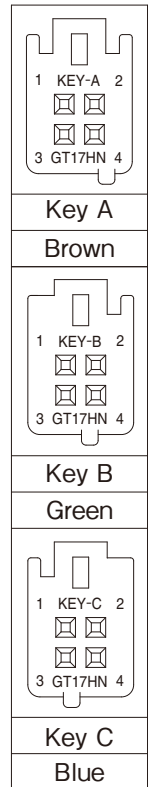
\* Concerning the crimp height of terminals, crimp height settings have been prepared for each type of cable. Please contact a Hirose Electric account representative for further information.

Please note that new crimp height settings will be made for new cables and that this might take several days.

## 4 Pos. Right-angle Connectors



### Key Variation



◆ The product comprises 5 parts.  
(Housing, insulator, outer terminal, retainer, center terminal)

● Housing

Part No.	HRS No.	Material / Plating or Color	Packaging	RoHS
GT17HN-4DS-HU	767-0141-8	PBT / Dark Gray	1	YES

● Insulator

Part No.	HRS No.	Material / Plating or Color	Packaging	RoHS
GT17HN-4DS-2C(A)	767-0140-5	PBT / Brown	1	YES
GT17HN-4DS-2C(B)	767-0147-4	PBT / Green		
GT17HN-4DS-2C(C)	767-0148-7	PBT / Blue		

● Outer terminal

Part No.	HRS No.	Material / Plating or Color	Outer Diameter	Packaging	RoHS
GT17HN-4DS-5CF	767-0142-0	Copper alloy / Tin plating	φ4.8 to 5.2	1	YES

● Retainer

Part No.	HRS No.	Material / Plating or Color	Packaging	RoHS
GT17HN-4DS-R	767-0143-3	PBT / Dark Gray	1	YES

● Center terminal

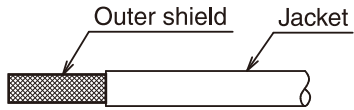
Part No.	HRS No.	Material / Plating or Color	Conductor Size(AWG)	Outer Diameter	Packaging	RoHS
GT8-2428SCF(70)	758-0001-8 70	Phosphor Bronze / Tin plating	24 to 28 AWG	φ0.8 to 1.5	10,000 pcs/reel	YES

### ◆ Mating Table

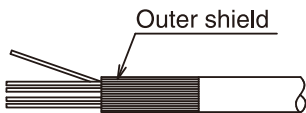
Color	Cable side connector	Board connector	
		SMT Type	DIP Type
Brown	GT17HN-4DS-ASSY (Key typeA)	GT17HN-4DP-2H(A)	GT17HJ-4DP-2DSA GT17HG-4DP-2DSA(A) GT17HN-4DP-2DS(A) GT17HNF-4DP-2DS(A) GT17HN-4DP-2DS(A)(10)
		GT17HN-4DP-2H(A)(11)	
		GT17HN-4DP-2H(A)(14)	
		GT17HNR-4DP-2H(A)	
		GT17HNL-4DP-2H(A)	
		GT17HN-4/4DP-2H(AA) GT17HND-4/4DP-2H(AA)	
Green	GT17HN-4DS-ASSY (Key typeB)	GT17HN-4DP-2H(B)	GT17HG-4DP-2DSA(B) GT17HN-4DP-2DS(B) GT17HN-4DP-2DS(B)(10)
		GT17HN-4DP-2H(B)(11)	
		GT17HN-4DP-2H(B)(14)	
		GT17HNL-4DP-2H(B)	
		GT17HN-4/4DP-2H(BC)(14) GT17HN-4/4DP-2H(BC)	
		GT17HN-4DP-2H(C)	
Blue	GT17HN-4DS-ASSY (Key typeC)	GT17HN-4DP-2H(C)(11)	GT17HG-4DP-2DSA(C) GT17HN-4DP-2DS(C) GT17HN-4DP-2DS(C)(10)
		GT17HN-4DP-2H(C)(14)	
		GT17HNL-4DP-2H(C)	
		GT17HN-4/4DP-2H(BC)	
		GT17HN-4/4DP-2H(BC)(14)	
		GT17HN-4/4DP-2H(BC)(14)	

## ◆ Wiring Method (4-Conductor Right-angle Connectors)

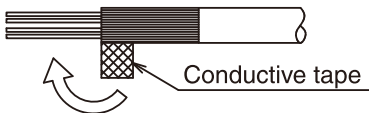
### ① Strip Jacket.



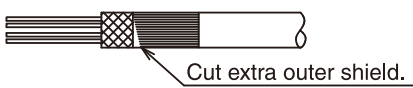
### ② Turn Outer shield to backward.



### ③ Cover the cable by conductive tape.



### ④ Cut extra outer shield.



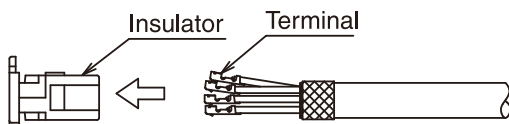
### ⑤ Strip Jacket.



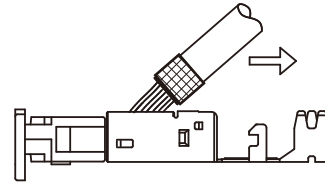
### ⑥ Crimp the terminal.



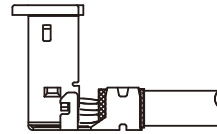
### ⑦ Insert terminal to the Insulator.



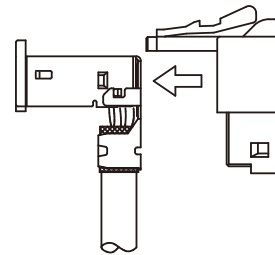
### ⑧ Insert insulator to the Outer tube terminal.



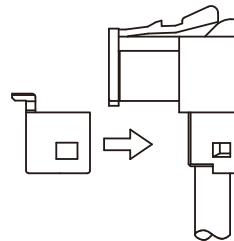
### ⑨ Crimp the outer tube terminal.



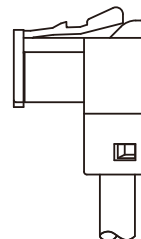
### ⑩ Insert the assembled outer tube terminal to the housing.



### ⑪ Set the Retainer.

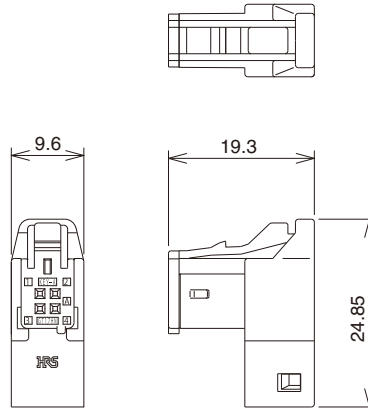


### ⑫ Finish.

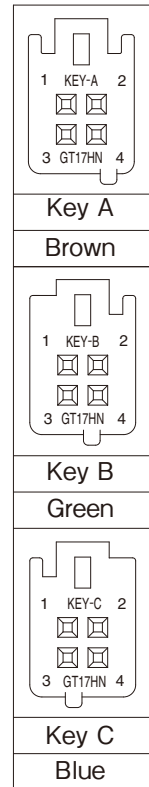


\* Concerning the crimp height of terminals, crimp height settings have been prepared for each type of cable. Please contact a Hirose Electric account representative for further information.  
Please note that new crimp height settings will be made for new cables and that this might take several days.

## 4 Pos. Right-angle Connectors (downward) With lock guard



### Key Variation



◆ The product comprises 5 parts.  
(Housing, insulator, outer terminal, retainer, center terminal)

● Housing

Part No.	HRS No.	Material / Plating or Color	Packaging	RoHS
GT17HN2-4DS-HU	767-0264-8	PBT / Dark Gray	1	YES

● Insulator

Part No.	HRS No.	Material / Plating or Color	Packaging	RoHS
GT17HN-4DS-2C(A)	767-0140-5	PBT / Brown	1	YES
GT17HN-4DS-2C(B)	767-0147-4	PBT / Green		
GT17HN-4DS-2C(C)	767-0148-7	PBT / Blue		

● Outer terminal

Part No.	HRS No.	Material / Plating or Color	Outer Diameter	Packaging	RoHS
GT17HNX-4DS-5CF	767-0179-0	Copper alloy / Tin plating	φ4.8 to 5.2	1	YES

● Retainer

Part No.	HRS No.	Material / Plating or Color	Packaging	RoHS
GT17HN2-4DS-R	767-0268-9	PBT / Dark Gray	1	YES

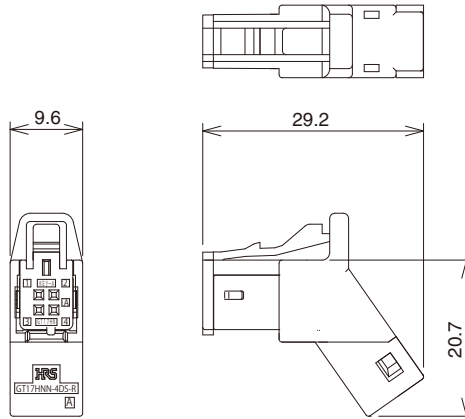
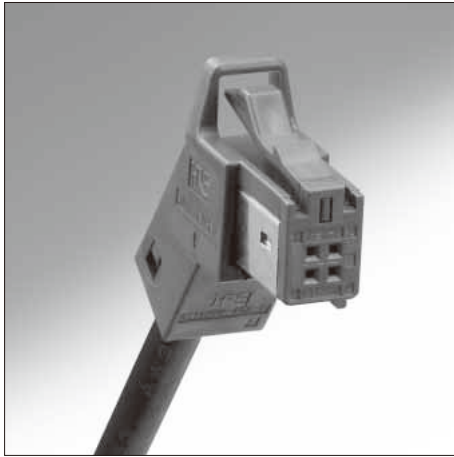
● Center terminal

Part No.	HRS No.	Material / Plating or Color	Conductor Size(AWG)	Outer Diameter	Packaging	RoHS
GT8-2428SCF(70)	758-0001-8 70	Phosphor Bronze / Tin plating	24 to 28 AWG	φ0.8 to 1.5	10,000 pcs/reel	YES

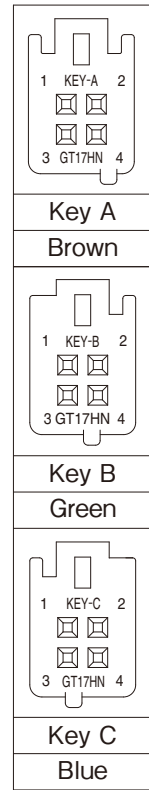
### ◆ Mating Table

Color	Cable side connector	Board connector	
		SMT Type	DIP Type
Brown	GT17HN2-4DS-ASSY(Key typeA)	GT17HN-4DP-2H(A)	GT17HJ-4DP-2DSA GT17HG-4DP-2DSA(A) GT17HN-4DP-2DS(A) GT17HNF-4DP-2DS(A) GT17HN-4DP-2DS(A)(10)
		GT17HN-4DP-2H(A)(11)	
		GT17HN-4DP-2H(A)(14)	
		GT17HNR-4DP-2H(A)	
		GT17HNL-4DP-2H(A)	
		GT17HN-4/4DP-2H(AA)	
Green	GT17HN2-4DS-ASSY(Key typeB)	GT17HN-4DP-2H(B)	GT17HG-4DP-2DSA(B) GT17HN-4DP-2DS(B) GT17HN-4DP-2DS(B)(10)
		GT17HN-4DP-2H(B)(11)	
		GT17HN-4DP-2H(B)(14)	
		GT17HNL-4DP-2H(B)	
		GT17HN-4/4DP-2H(BC)(14)	
		GT17HN-4/4DP-2H(BC)	
Blue	GT17HN2-4DS-ASSY(Key typeC)	GT17HN-4DP-2H(C)	GT17HG-4DP-2DSA(C) GT17HN-4DP-2DS(C) GT17HN-4DP-2DS(C)(10)
		GT17HN-4DP-2H(C)(11)	
		GT17HN-4DP-2H(C)(14)	
		GT17HNL-4DP-2H(C)	
		GT17HN-4/4DP-2H(BC)	
		GT17HN-4/4DP-2H(BC)(14)	

## ■ Plug Connectors 4 Pos. 45 degree angle type



### Key Variation



◆The product comprises 5 parts.  
(Housing, insulator, outer terminal, retainer, center terminal)

● Housing

Part No.	HRS No.	Material / Plating or Color	Packaging	RoHS
GT17HNN-4DS-HU	767-0187-9	PBT / Dark Gray	1	YES

● Insulator

Part No.	HRS No.	Material / Plating or Color	Packaging	RoHS
GT17HN-4DS-2C(A)	767-0140-5	PBT / Brown	1	YES
GT17HN-4DS-2C(B)	767-0147-4	PBT / Green		
GT17HN-4DS-2C(C)	767-0148-7	PBT / Blue		

● Outer terminal

Part No.	HRS No.	Material / Plating or Color	Outer Diameter	Packaging	RoHS
GT17HNN-4DS-5CF	767-0189-4	Copper alloy / Tin plating	φ4.8 to 5.2	1	YES

● Retainer

Part No.	HRS No.	Material / Plating or Color	Packaging	RoHS
GT17HNN-4DS-R	767-0188-1	PBT / Dark Gray	1	YES

● Center terminal

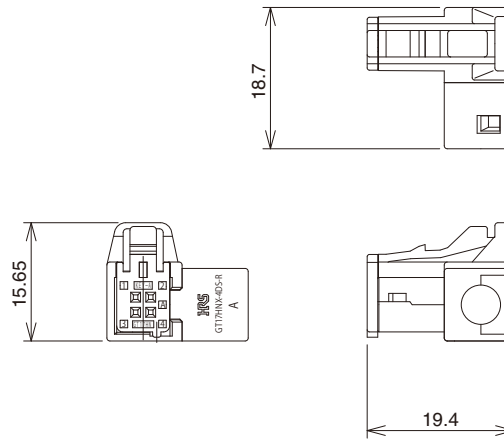
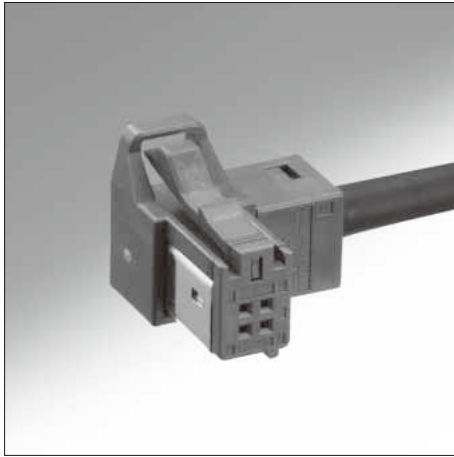
Part No.	HRS No.	Material / Plating or Color	Conductor Size(AWG)	Outer Diameter	Packaging	RoHS
GT8-2428SCF(70)	758-0001-8 70	Phosphor Bronze / Tin plating	24 to 28 AWG	φ0.8 to 1.5	10,000 pcs/reel	YES

◆ Mating Table

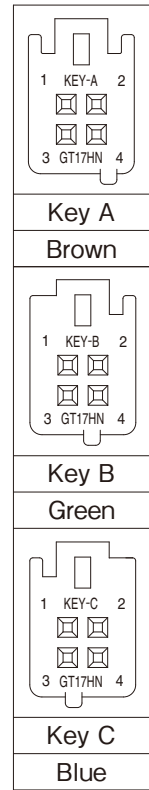
Color	Cable side connector	Board connector	
		SMT Type	DIP Type
Brown	GT17HNN-4DS-ASSY(Key typeA)	GT17HN-4DP-2H(A)	GT17HJ-4DP-2DSA GT17HG-4DP-2DSA(A) GT17HN-4DP-2DS(A) GT17HNF-4DP-2DS(A) GT17HN-4DP-2DS(A)(10)
		GT17HN-4DP-2H(A)(11)	
		GT17HN-4DP-2H(A)(14)	
		GT17HNR-4DP-2H(A)	
		GT17HNL-4DP-2H(A)	
		GT17HN-4/4DP-2H(AA)	
Green	GT17HNN-4DS-ASSY(Key typeB)	GT17HN-4DP-2H(B)	GT17HG-4DP-2DSA(B) GT17HN-4DP-2DS(B) GT17HN-4DP-2DS(B)(10)
		GT17HN-4DP-2H(B)(11)	
		GT17HN-4DP-2H(B)(14)	
		GT17HNL-4DP-2H(B)	
		GT17HN-4/4DP-2H(BC)(14)	
		GT17HN-4/4DP-2H(BC)	
Blue	GT17HNN-4DS-ASSY(Key typeC)	GT17HN-4DP-2H(C)	GT17HG-4DP-2DSA(C) GT17HN-4DP-2DS(C) GT17HN-4DP-2DS(C)(10)
		GT17HN-4DP-2H(C)(11)	
		GT17HN-4DP-2H(C)(14)	
		GT17HNL-4DP-2H(C)	
		GT17HN-4/4DP-2H(BC)	
		GT17HN-4/4DP-2H(BC)(14)	



## Plug 4 Pos. Right angle (leftward)



### Key Variation



◆ The product comprises 5 parts.  
(Housing, insulator, outer terminal, retainer, center terminal)

● Housing

Part No.	HRS No.	Material / Plating or Color	Packaging	RoHS
GT17HNL-4DS-HU	767-0302-5 00	PBT / Dark Gray	1	YES

● Insulator

Part No.	HRS No.	Material / Plating or Color	Packaging	RoHS
GT17HN-4DS-2C(A)	767-0140-5	PBT / Brown	1	YES
GT17HN-4DS-2C(B)	767-0147-4	PBT / Green		
GT17HN-4DS-2C(C)	767-0148-7	PBT / Blue		

● Outer terminal

Part No.	HRS No.	Material / Plating or Color	Packaging	RoHS
GT17HNL-4DS-5CF	767-0301-2 00	Copper alloy / Tin plating	1	YES

● Retainer

Part No.	HRS No.	Material / Plating or Color	Outer Diameter	Packaging	RoHS
GT17HNX-4DS-R	767-0180-0 00	PBT / Dark Gray	φ 4.8 to 5.2	1	YES

● Center terminal

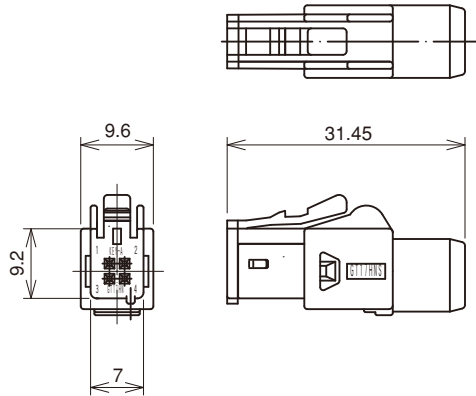
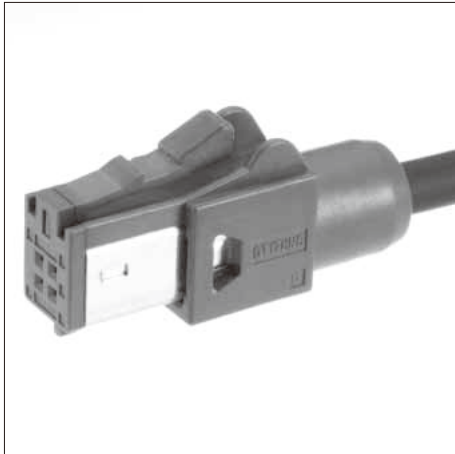
Part No.	HRS No.	Material / Plating or Color	Conductor Size(AWG)	Outer Diameter	Packaging	RoHS
GT8-2428SCF(70)	758-0001-8 70	Phosphor Bronze / Tin plating	24 to 28 AWG	φ 0.8 to 1.5	10,000 pcs/reel	YES

### ◆ Mating Table

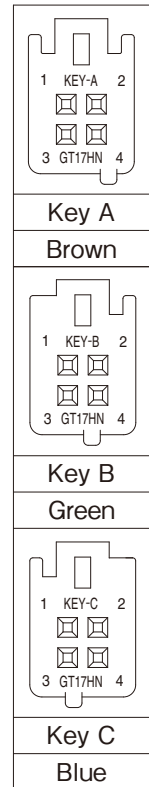
Color	Cable side connector	Board connector	
		SMT Type	DIP Type
Brown	GT17HNL-4DS-ASSY(Key TypeA)	GT17HN-4DP-2H(A)	GT17HJ-4DP-2DSA GT17HG-4DP-2DSA(A) GT17HN-4DP-2DS(A) GT17HNF-4DP-2DS(A) GT17HN-4DP-2DS(A)(10)
		GT17HN-4DP-2H(A)(11)	
		GT17HN-4DP-2H(A)(14)	
		GT17HNR-4DP-2H(A)	
		GT17HNL-4DP-2H(A)	
		GT17HN-4/4DP-2H(AA) GT17HND-4/4DP-2H(AA)	
Green	GT17HNL-4DS-ASSY(Key TypeB)	GT17HN-4DP-2H(B)	GT17HG-4DP-2DSA(B) GT17HN-4DP-2DS(B) GT17HN-4DP-2DS(B)(10)
		GT17HN-4DP-2H(B)(11)	
		GT17HN-4DP-2H(B)(14)	
		GT17HNL-4DP-2H(B)	
		GT17HN-4/4DP-2H(BC)(14) GT17HN-4/4DP-2H(BC)	
		GT17HN-4DP-2H(C)	
GT17HN-4DP-2H(C)(11)			
GT17HN-4DP-2H(C)(14)			
GT17HNL-4DP-2H(C)			
GT17HN-4/4DP-2H(BC) GT17HN-4/4DP-2H(BC)(14)			

GT5  
 GT13  
 GT16  
 PO5G  
 GT19  
 GT21  
 GT26  
 GT36  
 GT11  
**GT17**  
 GT32  
 GT3  
 GT7  
 GT10  
 GT18W  
 GT25  
 GT8E  
 GT9  
 GT15

## 4-Conductor Straight Connectors



### Key Variation



◆The product comprises 4 parts.  
(Housing, insulator, outer terminal, center terminal)

● Housing

Part No.	HRS No.	Material / Plating or Color	Packaging	RoHS
GT17HNS-4DS-HU	767-0150-9	PBT / Dark Gray	1	YES

● Insulator

Part No.	HRS No.	Material / Plating or Color	Packaging	RoHS
GT17HN-4DS-2C(A)	767-0140-5	PBT / Brown	1	YES
GT17HN-4DS-2C(B)	767-0147-4	PBT / Green		
GT17HN-4DS-2C(C)	767-0148-7	PBT / Blue		

● Outer terminal

Part No.	HRS No.	Material / Plating or Color	Outer Diameter	Packaging	RoHS
GT17HNS-4DS-5CF	767-0151-1	Copper alloy / Tin plating	φ 4.8 to 5.2	1	YES

● Center terminal

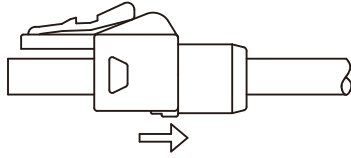
Part No.	HRS No.	Material / Plating or Color	Conductor Size(AWG)	Outer Diameter	Packaging	RoHS
GT8-2428SCF(70)	758-0001-8 70	Phosphor Bronze / Tin plating	24 to 28 AWG	φ 0.8 to 1.5	10,000 pcs/reel	YES

### ◆Mating Table

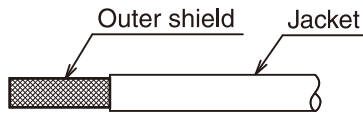
Color	Cable side connector	Board connector	
		SMT Type	DIP Type
Brown	GT17HNS-4DS-ASSY(Key TypeA)	GT17HN-4DP-2H(A)	GT17HJ-4DP-2DSA GT17HG-4DP-2DSA(A) GT17HN-4DP-2DS(A) GT17HNF-4DP-2DS(A) GT17HN-4DP-2DS(A)(10)
		GT17HN-4DP-2H(A)(11)	
		GT17HN-4DP-2H(A)(14)	
		GT17HNR-4DP-2H(A)	
		GT17HNL-4DP-2H(A)	
		GT17HN-4/4DP-2H(AA)	
Green	GT17HNS-4DS-ASSY(Key TypeB)	GT17HN-4DP-2H(B)	GT17HG-4DP-2DSA(B) GT17HN-4DP-2DS(B) GT17HN-4DP-2DS(B)(10)
		GT17HN-4DP-2H(B)(11)	
		GT17HN-4DP-2H(B)(14)	
		GT17HNL-4DP-2H(B)	
		GT17HN-4/4DP-2H(BC)(14)	
		GT17HN-4/4DP-2H(BC)	
Blue	GT17HNS-4DS-ASSY(Key TypeC)	GT17HN-4DP-2H(C)	GT17HG-4DP-2DSA(C) GT17HN-4DP-2DS(C) GT17HN-4DP-2DS(C)(10)
		GT17HN-4DP-2H(C)(11)	
		GT17HN-4DP-2H(C)(14)	
		GT17HNL-4DP-2H(C)	
		GT17HN-4/4DP-2H(BC)	
		GT17HN-4/4DP-2H(BC)(14)	

## ◆ Wiring Method (4-Conductor Straight Connectors)

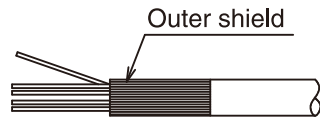
① Insert housing to the cable.



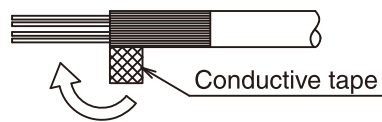
② Strip Jacket.



③ Turn Outer shield to backward.



④ Cover the cable by conductive tape.



⑤ Cut extra outer shield.



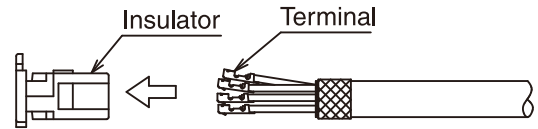
⑥ Strip Jacket.



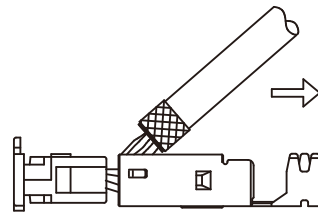
⑦ Crimp the terminal.



⑧ Insert center terminal to the Insulator.



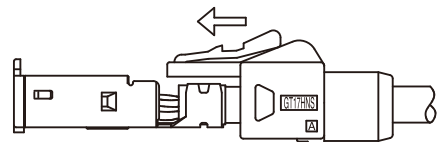
⑨ Set outer tube terminal to the insulator.



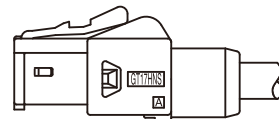
⑩ Crimp outertube terminal.



⑪ Slide up housing to outer tube terminal.

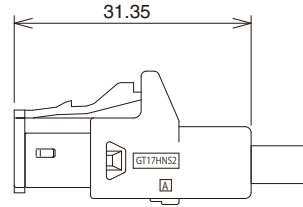
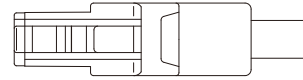
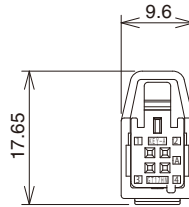


⑫ Finish.

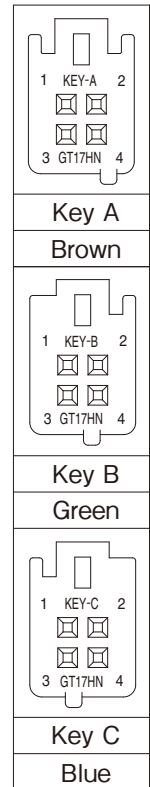


\* Concerning the crimp height of terminals, crimp height settings have been prepared for each type of cable. Please contact a Hirose Electric account representative for further information.  
Please note that new crimp height settings will be made for new cables and that this might take several days.

## 4 Pos. Straight plug Connector With lock guard



### Key Variation



◆ The product comprises 4 parts.  
(Housing, insulator, outer terminal, center terminal)

● Housing

Part No.	HRS No.	Material / Plating or Color	Packaging	RoHS
GT17HNS2-4DS-HU	767-0190-3	PBT / Dark Gray	1	YES

● Insulator

Part No.	HRS No.	Material / Plating or Color	Packaging	RoHS
GT17HN-4DS-2C(A)	767-0140-5	PBT / Brown	1	YES
GT17HN-4DS-2C(B)	767-0147-4	PBT / Green		
GT17HN-4DS-2C(C)	767-0148-7	PBT / Blue		

● Outer terminal

Part No.	HRS No.	Material / Plating or Color	Outer Diameter	Packaging	RoHS
GT17HNS-4DS-5CF	767-0151-1	Copper alloy / Tin plating	φ4.8 to 5.2	1	YES

● Center terminal

Part No.	HRS No.	Material / Plating or Color	Conductor Size(AWG)	Outer Diameter	Packaging	RoHS
GT8-2428SCF(70)	758-0001-8 70	Phosphor Bronze / Tin plating	24 to 28 AWG	φ0.8 to 1.5	10,000 pcs/reel	YES

### ◆ Mating Table

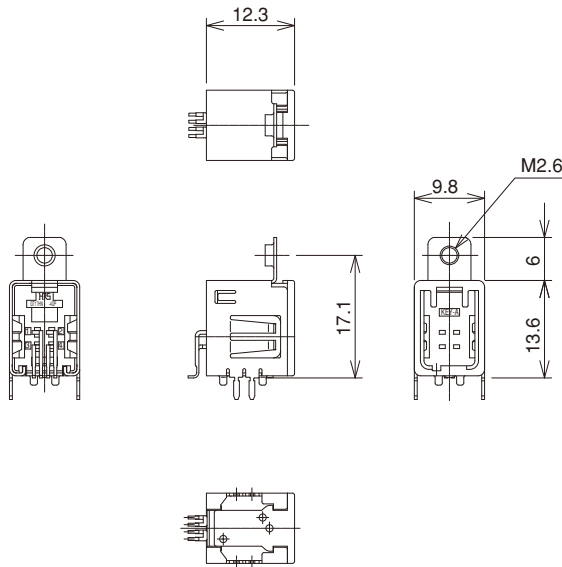
Color	Cable side connector	Board connector	
		SMT Type	DIP Type
Brown	GT17HNS2-4DS-ASSY(Key typeA)	GT17HN-4DP-2H(A) GT17HN-4DP-2H(A)(11) GT17HN-4DP-2H(A)(14) GT17HNR-4DP-2H(A) GT17HNL-4DP-2H(A) GT17HN-4/4DP-2H(AA) GT17HND-4/4DP-2H(AA)	GT17HJ-4DP-2DSA GT17HG-4DP-2DSA(A) GT17HN-4DP-2DS(A) GT17HNF-4DP-2DS(A) GT17HN-4DP-2DS(A)(10)
Green	GT17HNS2-4DS-ASSY(Key typeB)	GT17HN-4DP-2H(B) GT17HN-4DP-2H(B)(11) GT17HN-4DP-2H(B)(14) GT17HNL-4DP-2H(B) GT17HN-4/4DP-2H(BC)(14) GT17HN-4/4DP-2H(BC)	GT17HG-4DP-2DSA(B) GT17HN-4DP-2DS(B) GT17HN-4DP-2DS(B)(10)
Blue	GT17HNS2-4DS-ASSY(Key typeC)	GT17HN-4DP-2H(C) GT17HN-4DP-2H(C)(11) GT17HN-4DP-2H(C)(14) GT17HNL-4DP-2H(C) GT17HN-4/4DP-2H(BC) GT17HN-4/4DP-2H(BC)(14)	GT17HG-4DP-2DSA(C) GT17HN-4DP-2DS(C) GT17HN-4DP-2DS(C)(10)

## 4 pos. SMT Connector

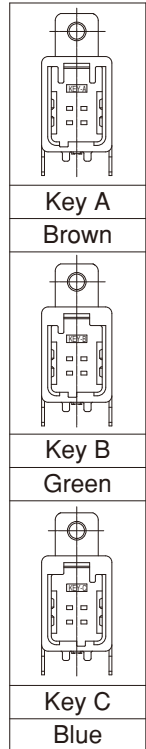
● With M2.6 screw flange



GT17HN-4DP-2H(A)



Key Variation

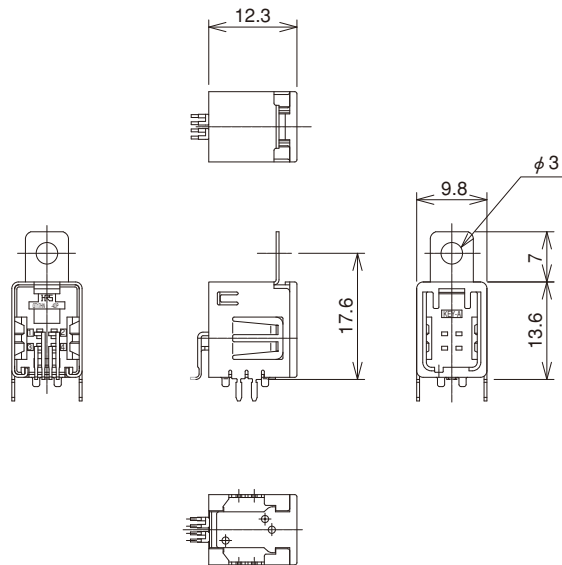


Part No.	HRS No.	Color	Material / Plating	Packaging	RoHS
GT17HN-4DP-2H(A)	767-0144-6	Brown	Housing:PPS	1	YES
GT17HN-4DP-2H(B)	767-0175-0	Green	Center terminal:Brass/Tin plating		
GT17HN-4DP-2H(C)	767-0176-2	Blue	Outer terminal:Copper alloy/Tin plating		

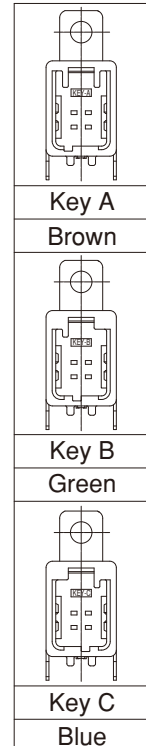
● With 3.0 dia. hole flange



GT17HN-4DP-2H(A)(11)



Key Variation



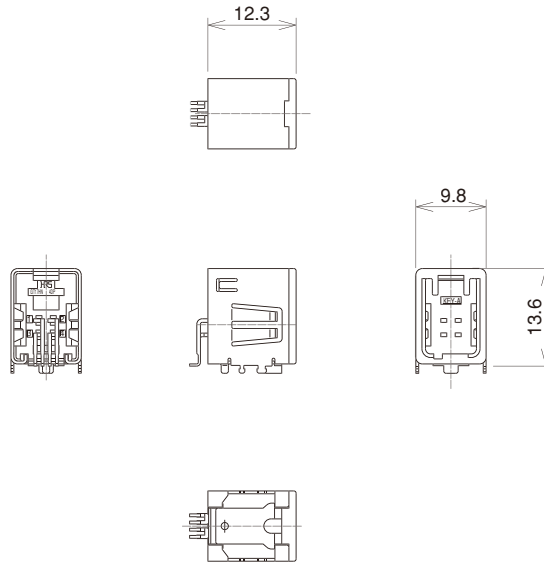
Part No.	HRS No.	Color	Material / Plating	Packaging	RoHS
GT17HN-4DP-2H(A)(11)	767-0144-6 11	Brown	Housing:PPS	1	YES
GT17HN-4DP-2H(B)(11)	767-0175-0 11	Green	Center terminal:Brass/Tin plating		
GT17HN-4DP-2H(C)(11)	767-0176-2 11	Blue	Outer terminal:Copper alloy/Tin plating		

- GT5
- GT13
- GT16
- PO5G
- GT19
- GT21
- GT26
- GT36
- GT111
- GT17**
- GT32
- GT3
- GT7
- GT10
- GT18W
- GT25
- GT8E
- GT9
- GT15

● Without flange



**GT17HN-4DP-2H(A)(14)**



Key Variation

	Key A Brown
	Key B Green
	Key C Blue

Part No.	HRS No.	Color	Material / Plating	Packaging	RoHS
GT17HN-4DP-2H(A)(14)	767-0144-6 14	Brown	Housing:PPS	300 pcs/reel	YES
GT17HN-4DP-2H(B)(14)	767-0175-0 14	Green	Center terminal:Brass/Tin plating		
GT17HN-4DP-2H(C)(14)	767-0176-2 14	Blue	Outer terminal:Copper alloy/Tin plating		

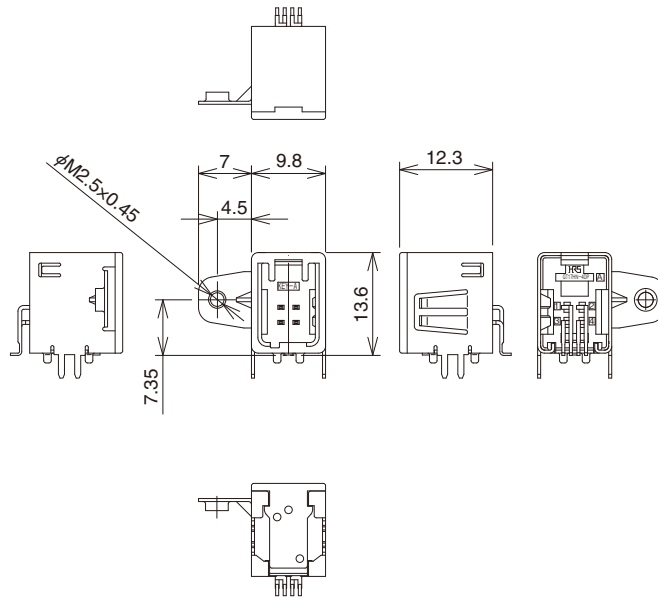
Dec.1.2018 Copyright © HIROSE ELECTRIC CO., LTD. All Rights Reserved.

- GT5
- GT13
- GT16
- PO5G
- GT19
- GT21
- GT26
- GT36
- GT11
- GT17**
- GT32
- GT3
- GT7
- GT10
- GT18W
- GT25
- GT8E
- GT9
- GT15

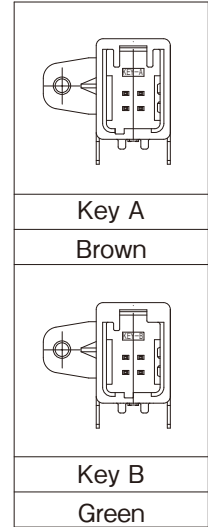
● M2.5 Screw with Left flange



**GT17HNL-4DP-2H(A)**



Key Variation

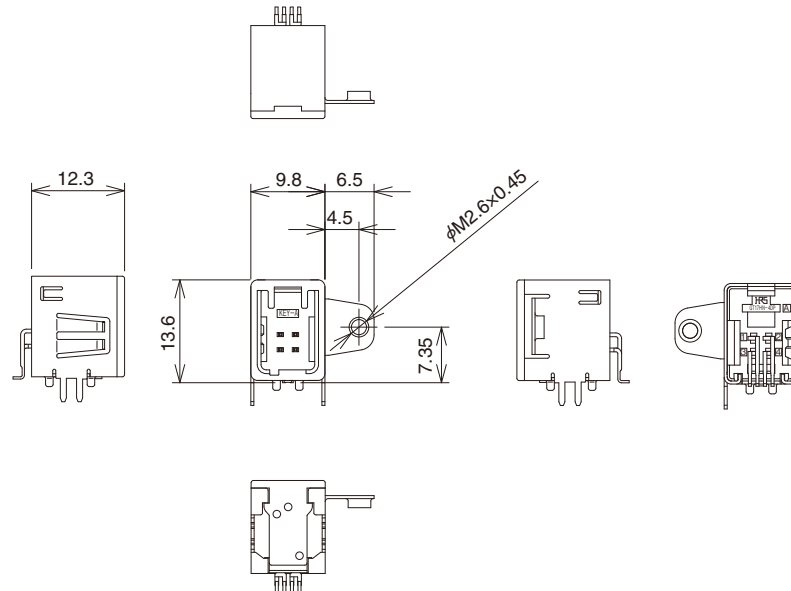


Part No.	HRS No.	Color	Material / Plating	Packaging	RoHS
GT17HNL-4DP-2H(A)	767-0229-7	Brown	Housing:PPS Center terminal:Brass/Tin plating Outer terminal:Copper alloy/Tin plating	1	YES
GT17HNL-4DP-2H(B)	767-0237-5	Green			

● M2.6 Screw with Right flange



**GT17HNR-4DP-2H(A)**

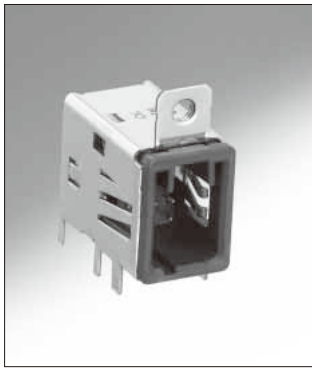


Part No.	HRS No.	Color	Material / Plating	Packaging	RoHS
GT17HNR-4DP-2H(A)	767-0230-6	Brown	Housing:PPS Center terminal:Brass/Tin plating Outer terminal:Copper alloy/Tin plating	1	YES

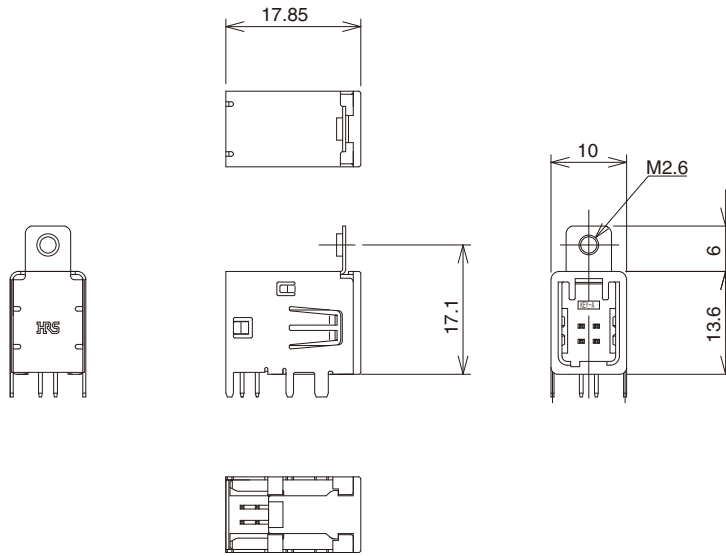
- GT5
- GT13
- GT16
- PO5G
- GT19
- GT21
- GT26
- GT36
- GT11
- GT17**
- GT32
- GT3
- GT7
- GT10
- GT18W
- GT25
- GT8E
- GT9
- GT15

## ■ 4 Pos. Boardside Right angle DIP Type

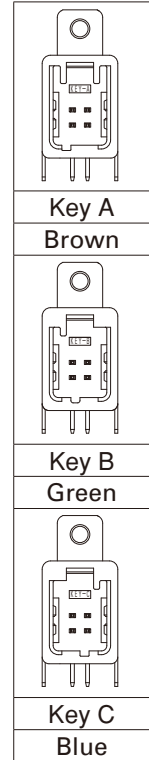
● With M2.6 flange



GT17HN-4DP-2DS(A)



Key Variation

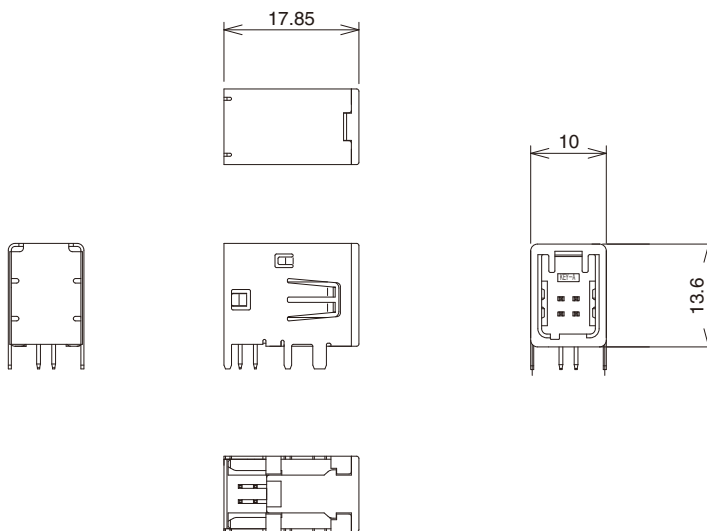


Part No.	HRS No.	Color	Material / Plating	Packaging	RoHS
GT17HN-4DP-2DS(A)	767-0213-7 00	Brown	Housing:PBT	1	YES
GT17HN-4DP-2DS(B)	767-0266-3 00	Green	Center terminal:Brass/Tin plating		
GT17HN-4DP-2DS(C)	767-0265-0 00	Blue	Outer terminal:Copper alloy/Tin plating		

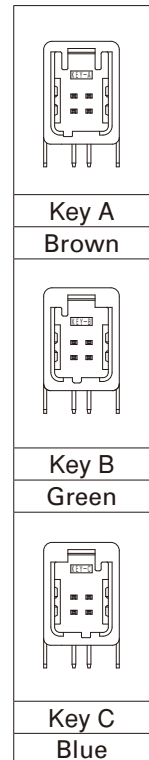
● Without flange



GT17HN-4DP-2DS(A)(10)



Key Variation



Part No.	HRS No.	Color	Material / Plating	Packaging	RoHS
GT17HN-4DP-2DS(A)(10)	767-0213-7 10	Brown	Housing:PBT	1	YES
GT17HN-4DP-2DS(B)(10)	767-0266-3 10	Green	Center terminal:Brass/Tin plating		
GT17HN-4DP-2DS(C)(10)	767-0265-0 10	Blue	Outer terminal:Copper alloy/Tin plating		



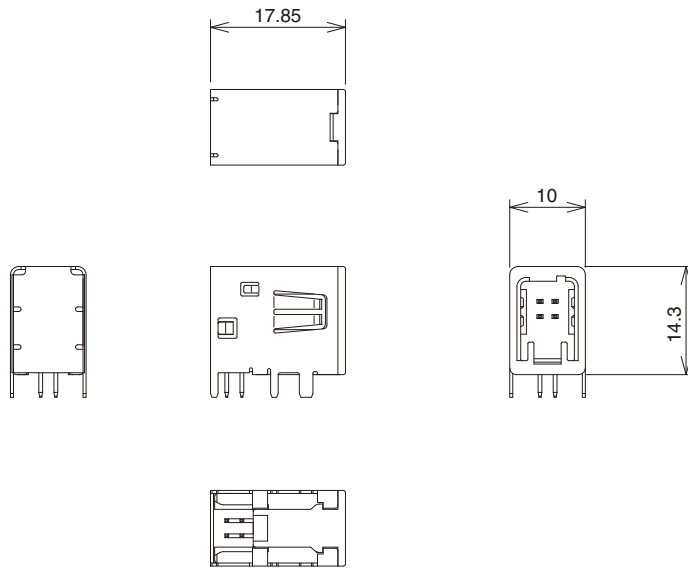
Dec.1.2018 Copyright © HIROSE ELECTRIC CO., LTD. All Rights Reserved.

- GT5
- GT13
- GT16
- PO5G
- GT19
- GT21
- GT26
- GT36
- GT11
- GT17**
- GT32
- GT3
- GT7
- GT10
- GT18W
- GT25
- GT8E
- GT9
- GT15

● Plug reverse



**GT17HNF-4DP-2DS(A)**



Part No.	HRS No.	Color	Material / Plating	Packaging	RoHS
GT17HNF-4DP-2DS(A)	767-0236-2 00	Brown	Housing:PBT Center terminal:Brass/Tin plating Outer terminal:Copper alloy/Tin plating	1	YES

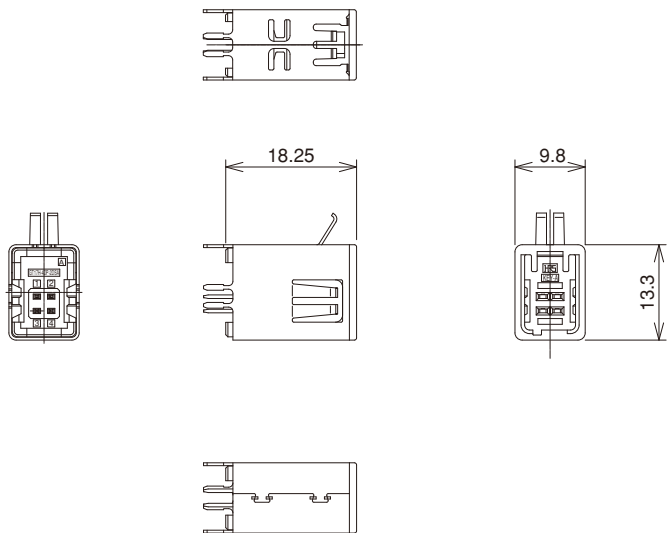
■ 4-Conductor Board Connector(Straight)



**GT17HJ-4DP-2DSA**



**GT17HG-4DP-2DSA(A)**



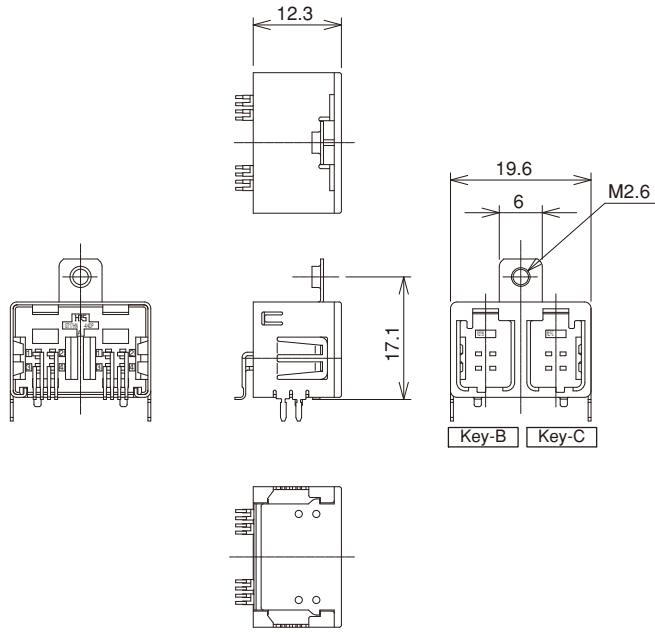
Part No.	HRS No.	Color	Material / Plating or Color	Packaging	RoHS
GT17HJ-4DP-2DSA	767-0160-2	Brown	Housing:PPS Center terminal:Brass/Tin plating Outer terminal:Copper alloy/Tin plating	1	YES
GT17HG-4DP-2DSA(A)	767-0314-4				
GT17HG-4DP-2DSA(B)	767-0315-7	Green			
GT17HG-4DP-2DSA(C)	767-0316-0	Blue			
GT17HG-4DP-2DSA(D)	767-0317-2	Black			

## ■ 4/4 Pos. SMT Connectors

### ● With M2.6 screw flange



GT17HN-4/4DP-2H(BC)

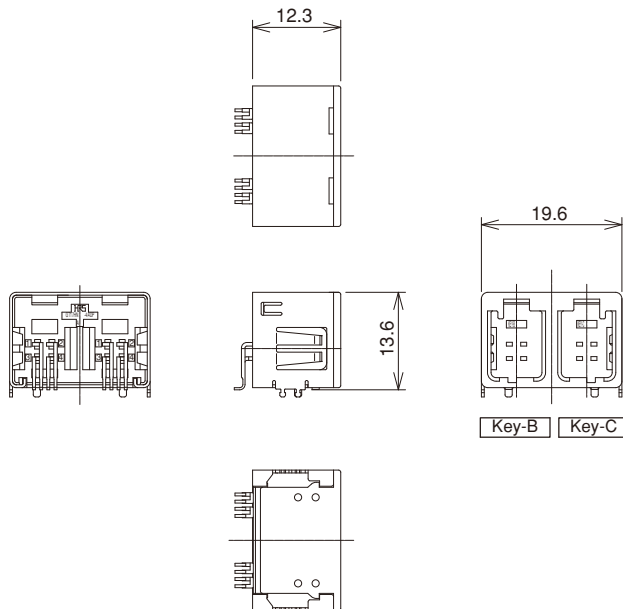


Part No.	HRS No.	Color	Material / Plating or Color	Packaging	RoHS
GT17HN-4/4DP-2H(BC)	767-0145-9	Light Gray	Housing:PPS Center terminal:Brass/Tin plating Outer terminal:Copper alloy/Tin plating	1	YES
GT17HND-4/4DP-2H(AA)	767-0327-6	Brown			

### ● Without flange



GT17HN-4/4DP-2H(BC)(14)



Part No.	HRS No.	Color	Material / Plating or Color	Packaging	RoHS
GT17HN-4/4DP-2H(BC)(14)	767-0145-9 14	Light Gray	Housing:PPS Center terminal:Brass/Tin plating Outer terminal:Copper alloy/Tin plating	200 pcs/reel	YES

GT5

GT13

GT16

PO5G

GT19

GT21

GT26

GT36

GT11

GT17

GT32

GT3

GT7

GT10

GT18W

GT25

GT8E

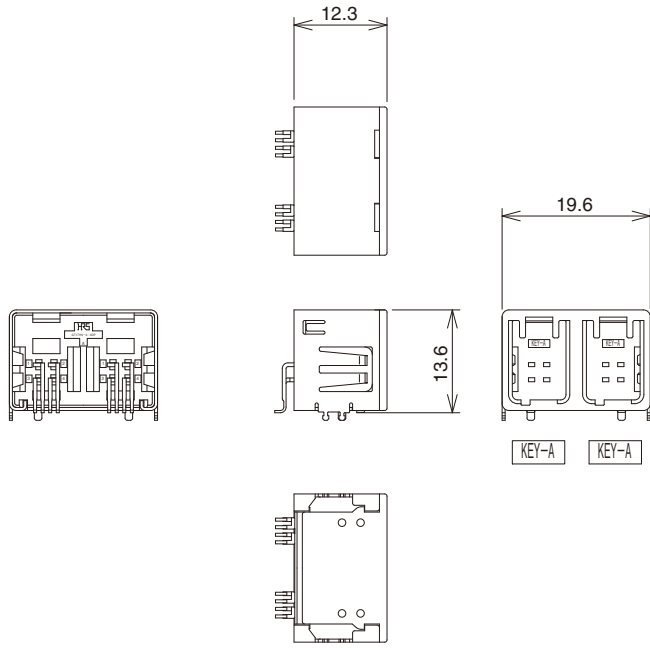
GT9

GT15

● Without flange

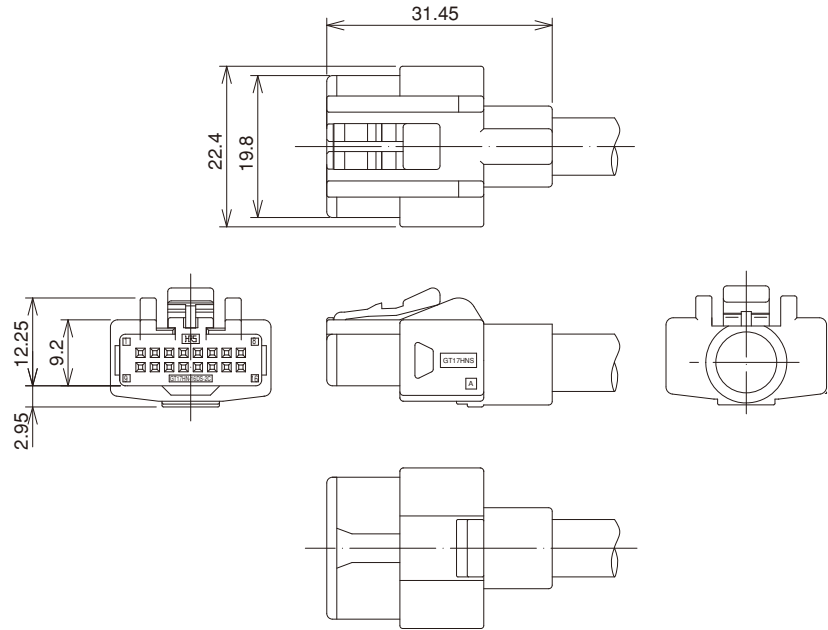
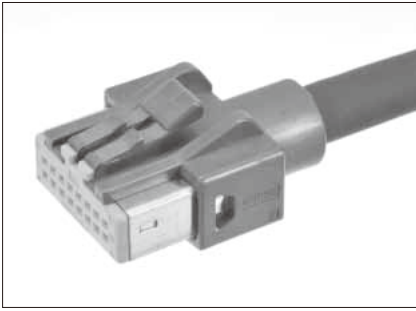


GT17HN-4/4DP-2H(AA)



Part No.	HRS No.	Color	Material / Plating	Packaging	RoHS
GT17HN-4/4DP-2H(AA)	767-0246-6 00	Brown	Housing:PPS Center terminal:Brass/Tin plating Outer terminal:Copper alloy/Tin plating	1	YES

## ■ 16 Pos. Straight Connectors



◆The product comprises 4 parts.  
(Housing, insulator, outer terminal, and center terminal)

●Housing

Part No.	HRS No.	Material / Plating or Color	Packaging	RoHS
GT17HNS-16DS-HU	767-0164-3	PBT / Dark Gray	1	YES

●Insulator

Part No.	HRS No.	Material / Plating or Color	Packaging	RoHS
GT17HN-16DS-2C	767-0162-8	PBT / Light Gray	1	YES

●Outer terminal

Part No.	HRS No.	Material / Plating or Color	Outer Diameter	Packaging	RoHS
GT17HNS-16DS-8CF	767-0165-6	Copper alloy / Tin plating	φ7.8 to 8.2	1	YES

●Center terminal

Part No.	HRS No.	Material / Plating or Color	Conductor Size(AWG)	Outer Diameter	Packaging	RoHS
GT8-2428SCF(70)	758-0001-8 70	Phosphor Bronze / Tin plating	24 to 28 AWG	φ0.8 to 1.5	10,000 pcs/reel	YES

◆Mating Table

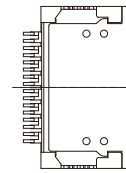
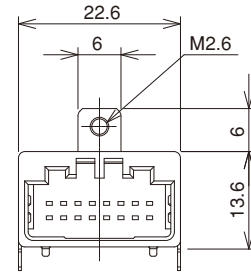
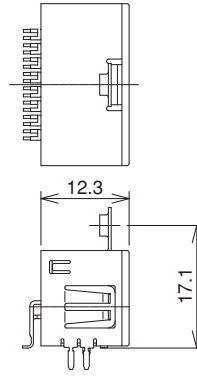
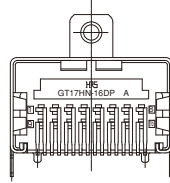
Color	Cable side connector	Board connector
Gray	GT17HNS-16DS-HU	GT17HN-16DP-2H GT17HN-16DP-2H(10)

## ■ 16 Pos. SMT Connectors

● With M2.6 screw flange



**GT17HN-16DP-2H**

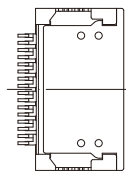
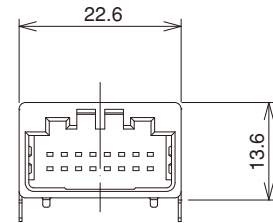
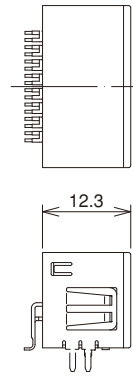
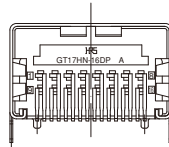


Part No.	HRS No.	Color	Material / Plating	Packaging	RoHS
GT17HN-16DP-2H	767-0153-7	Light Gray	Housing:PPS Center terminal:Brass/Tin plating Outer terminal:Copper alloy/Tin plating	1	YES

● Without flange



**GT17HN-16DP-2H(10)**



Part No.	HRS No.	Color	Material / Plating	Packaging	RoHS
GT17HN-16DP-2H(10)	767-0153-7 10	Light Gray	Housing:PPS Center terminal:Brass/Tin plating Outer terminal:Copper alloy/Tin plating	200 pcs/reel	YES

Dec.1.2018 Copyright © 2018 HIROSE ELECTRIC CO., LTD. All Rights Reserved.

GT5

GT13

GT16

PO5G

GT19

GT21

GT26

GT36

GT11

**GT17**

GT32

GT3

GT7

GT10

GT18W

GT25

GT8E

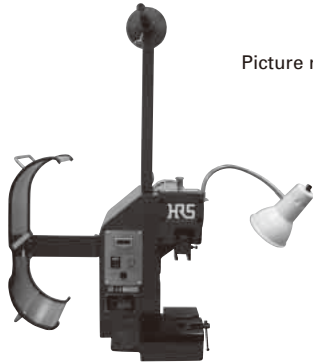
GT9

GT15

## ◆ Crimping tools

User manuals are available. Please ask your Hirose Electric account representative.

### ● Automatic Crimping Machine



Picture reference only

#### Specifications

Item	Specification	Remarks
Press capacity	1.5Ton	
Stroke	30mm	
Number of strokes	200spm (50Hz)	240spm (60Hz)
Weight	75kg	
Motor	0.2kW	AC100V
Crimping speed	2000 to 4000 pcs. per hour	

Part No. CM-105C

#### Applicator

Terminal Product No.	Terminal HRS No.	Tool No.	Tool HRS No.
GT17-2022SCF	767-0009-0	AP105-GT17-2022S	901-5083-5
GT17-2428SCF	767-0010-0	AP105-GT17-2428S	901-5084-8
GT17-30SCF	767-0064-9	AP105-GT17-30S	901-5107-1
GT17-2022PCF	767-0082-0	AP105-GT17-2022P	901-5146-3
GT17-2428PCF	767-0076-8	AP105-GT17-2428P	901-5177-7
GT8-2428SCF(70)	758-0001-8 70	AP105-GT8-2428S	901-5174-9
GT8E-2428PCF	758-0067-6	AP105-GT8E-2428P	901-5192-0

Note1 : Crimp heights may differ depending on the cable specification, so please consult a HRS representative for assistance.

Note2 : Before purchasing Hirose tooling, please make sure that your selected cable will work with the Hirose applicator.

Note3 : Cables that are different from those specified by Hirose may not be suitable and may require modification to the applicator to obtain a proper crimp.

#### Contact insert tool for GT17H-4S-2C

Product No.	HRS No.	Tool No.	Tool HRS No.
GT8-2428SCF(70)	758-0001-8 70	GT17-4S/PR-MD	902-5109-3

\* This tool was designed when GT8-2428SCF(70) insert to GT17H-4S-2C.

Please do not use other contact and housing.

## ● HANDPRESS

Hand Press



Part No.HOS-7

## Crimp tool for outer shield(Module for HOS-7)

Product No.	HRS No.	Crimp tool for outer shield Product No.	Crimp tool for outer shield HRS No.
GT17V-6DS-5CF	767-0027-2	GT17VS-6DS-5/CR-MP	902-5099-1
		GT17VS-6DS-5/CR-MP(01)	902-5099-1 01
GT17VS-6DS-5CF	767-0050-4	GT17VS-6DS-CH48/CR-MP	902-5105-2
		GT17VS-6DS-CH48/CR-MP(01)	902-5105-2 01
GT17V-6DS-3.8CF	767-0075-5	GT17V-6DS-3.8/CR-MP	902-5101-1
		GT17V-6DS-3.8/CR-MP(01)	902-5101-1 01
GT17VS-6DP-5CF	767-0080-5	GT17VS-6DP-5/CR-MP	902-5088-5
		GT17VS-6DP-5/CR-MP(01)	902-5088-5 01
GT17S-8DS-7CF	767-0106-7	GT17S-8DS-7/CR-MP	902-5090-7
		GT17S-8DS-7/CR-MP(01)	902-5090-7 01
GT17V-10DS-8CF	767-0037-6	GT17V-10DS/CR-MP	902-5057-1
		GT17V-10DS/CR-MP(01)	902-5057-1 01
GT17VS-10DS-8CF	767-0059-9	GT17V-10DS/CR-MP	902-5057-1
		GT17V-10DS/CR-MP(01)	902-5057-1 01
GT17VS-10DP-5.2CF	767-0114-5	GT17VS-10DP-5.2/CR-MP	902-5084-4
		GT17VS-10DP-5.2/CR-MP(01)	902-5084-4 01
GT17VS-10DS-4.6CF	767-0116-0	GT17VS-10DS-4.6/CR-MP	902-5083-1
		GT17VS-10DS-4.6/CR-MP(01)	902-5083-1 01
GT17H-4S-5CF	767-0087-4	GT17H-4S-5CF/CR-MP	902-5100-9
		GT17H-4S-5CF/CR-MP(01)	902-5100-9 01
GT17HS-4S-5CF	767-0135-5	GT17H-4S-5CF/CR-MP	902-5100-9
		GT17H-4S-5CF/CR-MP(01)	902-5100-9 01
GT17HS-4P-5CF	767-0156-5	GT17HS-4P-5CF/CR-MP	902-5108-0
		GT17HS-4P-5CF/CR-MP(01)	902-5108-0 01
GT17HN-4DS-5CF	767-0142-0	GT17HNS-4DS-5/CR-MP	902-5103-7
		GT17HNS-4DS-5/CR-MP(01)	902-5103-7 01
GT17HNS-4DS-5CF	767-0151-1	GT17HNS-4DS-5/CR-MP	902-5103-7
		GT17HNS-4DS-5/CR-MP(01)	902-5103-7 01
GT17HNS-16DS-8CF	767-0165-6	GT17HNS-16DS-8/CR-MP	902-5102-4
		GT17HNS-16DS-8/CR-MP(01)	902-5102-4 01

Note1 : (01)is set unit (HOS-7 and Crimp tool).

Note2 : Crimp height sets for each cable. Please ask HRS sales in detail. Take time to define new crimp height.

Note3 : Please ask Crimp height for your cable when you use HRS tool.

Note4 : Applicable tool may be changed by specic cable.