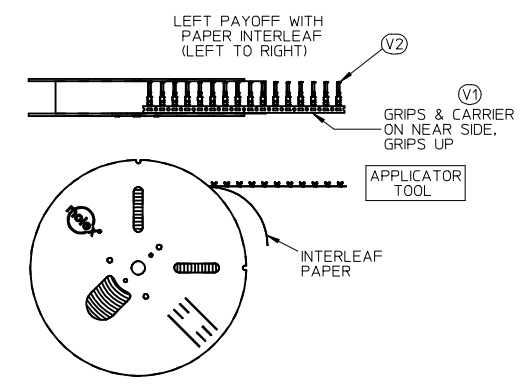
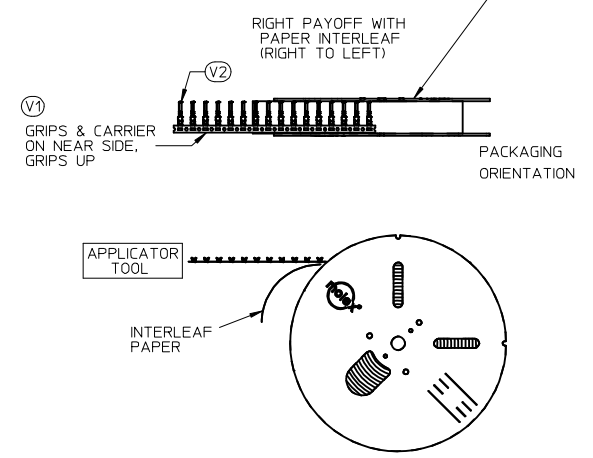


PAYOFF DIRECTION D

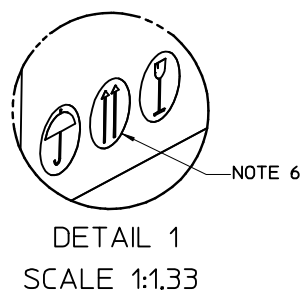


PLACE PRODUCT ID LABEL ON THIS SIDE TO INDICATE THE PREFERRED PACKAGING ORIENTATION

PAYOFF DIRECTION B



CUSTOMER COPY



- NOTES:**
1. NUMBER OF TERMINALS PER REEL: SEE TABLE (SHEET 2)
 2. STANDARD PACK QUANTITY (SPQ): SEE TABLE (SHEET 2)
 3. NUMBER OF REELS PER CARTON: SEE TABLE (SHEET 2)
 4. SPLICING: NO BREAKS, MAXIMUM 1 WELD PER REEL
 5. TO MINIMIZE STRESS ON TERMINALS, REELS SHOULD ALWAYS BE SHIPPED ON PALLETS WITH THE REELS LAYING FLAT AS SHOWN.
 6. PLACE CARTONS ON PALLET WITH ARROWS POINTING UP PER DETAIL 1
 7. FOR INTERNAL COPY SEE: PK-31301-053

SPO CORRECTION EC NO: UAU2015-0955 DRAWN: PHELPS 2014/12/19 CHKD: APPR: JNORTHRO 2015/01/26 REV: 4	QUALITY SYMBOLS ▽=0 ▽=0	GENERAL TOLERANCES (UNLESS SPECIFIED) <table border="1"> <thead> <tr> <th></th> <th>mm</th> <th>INCH</th> </tr> </thead> <tbody> <tr> <td>4 PLACES</td> <td>± ---</td> <td>± ---</td> </tr> <tr> <td>3 PLACES</td> <td>± ---</td> <td>± ---</td> </tr> <tr> <td>2 PLACES</td> <td>± ---</td> <td>± ---</td> </tr> <tr> <td>1 PLACE</td> <td>± ---</td> <td>± ---</td> </tr> </tbody> </table>		mm	INCH	4 PLACES	± ---	± ---	3 PLACES	± ---	± ---	2 PLACES	± ---	± ---	1 PLACE	± ---	± ---	DIMENSION STYLE MM ONLY DRAWN BY: PHELPS DATE: 2012/10/24 CHECKED BY: DATE:	SCALE: 1:10 DESIGN UNITS: METRIC THIRD ANGLE PROJECTION
		mm	INCH																
	4 PLACES	± ---	± ---																
	3 PLACES	± ---	± ---																
2 PLACES	± ---	± ---																	
1 PLACE	± ---	± ---																	
DRAFT WHERE APPLICABLE MUST REMAIN WITHIN DIMENSIONS	APPROVED BY: JNORTHRO DATE: 2012/11/26 MATERIAL NO.: SEE TABLE	TITLE: CTX PACKAGING SPEC GEN. MKT. PRODUCT CUSTOMER COPY MOLEX MOLEX INCORPORATED DOCUMENT NO.: SD-31301-053	SHEET NO.: 1 OF 2																
THIS DRAWING CONTAINS INFORMATION THAT IS PROPRIETARY TO MOLEX INCORPORATED AND SHOULD NOT BE USED WITHOUT WRITTEN PERMISSION																			

PACKAGING DATA											
PRODUCT DESCRIPTION	CTX 64				CTX 150			CTX 280 SEALED			
PRODUCT P/N SERIES	0348030*** 0348031*** 0348032***		0348033*** 0348035***		034805****			034808****			
GRIP CODE	S	L	S	L	S	M	L	VS	S	M	L
PART WT (Kg/1000)	.1552	.1642	.126	.126	.3070	.3270	.3470	.6596	.6886	.7106	.7332
STAND PACK QTY (SPQ)	60000	60000	60000	60000	35000	30000	25000	10000	10000	10000	10000
QTY/REEL	10000	10000	10000	10000	7000	6000	5000	2000	2000	2000	2000
REELS/SHIPPER CARTON	6	6	6	6	5	5	5	5	5	5	5
CARTONS/PALLET (MAX)	5	5	5	5	5	5	5	5	5	5	5
FILLED CARTON WT (Kg)	14.83	15.37	TBD	TBD	15.64	14.70	13.57	11.5	11.8	12.0	12.2
FLANGE DIAMETER (MM)	610	610	610	610	610	610	610	610	610	610	610

CUSTOMER COPY

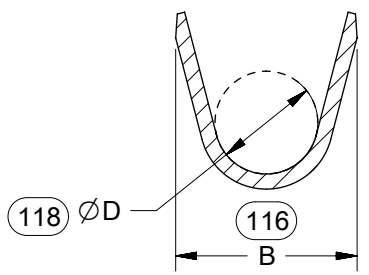
SPQ CORRECTION EC NO: UAU2015-0955 DRWN:PPHELPS 2014/12/19 CHKD: APPR: JNORTHRO 2015/01/26 REV: 4	QUALITY SYMBOLS	GENERAL TOLERANCES (UNLESS SPECIFIED) <table border="1"> <tr> <th></th> <th>mm</th> <th>INCH</th> </tr> <tr> <td>4 PLACES</td> <td>± .005</td> <td>± .0002</td> </tr> <tr> <td>3 PLACES</td> <td>± .003</td> <td>± .0001</td> </tr> <tr> <td>2 PLACES</td> <td>± .002</td> <td>± .0001</td> </tr> <tr> <td>1 PLACE</td> <td>± .001</td> <td>± .0001</td> </tr> </table>		mm	INCH	4 PLACES	± .005	± .0002	3 PLACES	± .003	± .0001	2 PLACES	± .002	± .0001	1 PLACE	± .001	± .0001	DIMENSION STYLE	SCALE	DESIGN UNITS	THIRD ANGLE PROJECTION
			mm	INCH																	
	4 PLACES		± .005	± .0002																	
	3 PLACES		± .003	± .0001																	
2 PLACES	± .002	± .0001																			
1 PLACE	± .001	± .0001																			
▼=0 ▽=0	MM ONLY	1:15	METRIC																		
		DRAWN BY DATE PPHELPS 2012/10/24 CHECKED BY DATE	TITLE CTX PACKAGING SPEC GEN. MRKT. PRODUCT CUSTOMER COPY																		
		APPROVED BY DATE JNORTHRO 2012/11/26	MOLEX INCORPORATED DOCUMENT NO. SD-31301-053		SHEET NO. 2 OF 2																

DRAFT WHERE APPLICABLE
MUST REMAIN
WITHIN DIMENSIONS

SEE TABLE

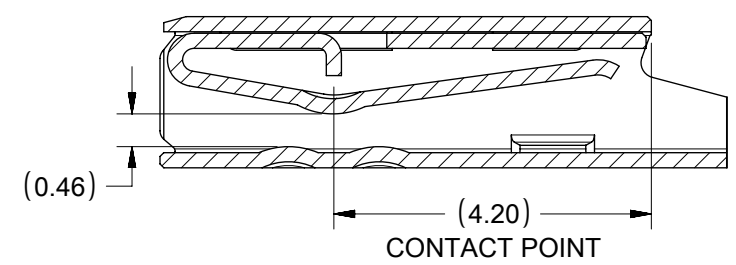
THIS DRAWING CONTAINS INFORMATION THAT IS PROPRIETARY TO MOLEX INCORPORATED AND SHOULD NOT BE USED WITHOUT WRITTEN PERMISSION

TIN CONTACT SHAPE

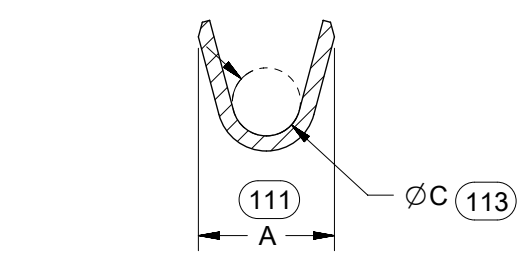


SECTION Y-Y
SCALE 10:1

INSULATION GRIP

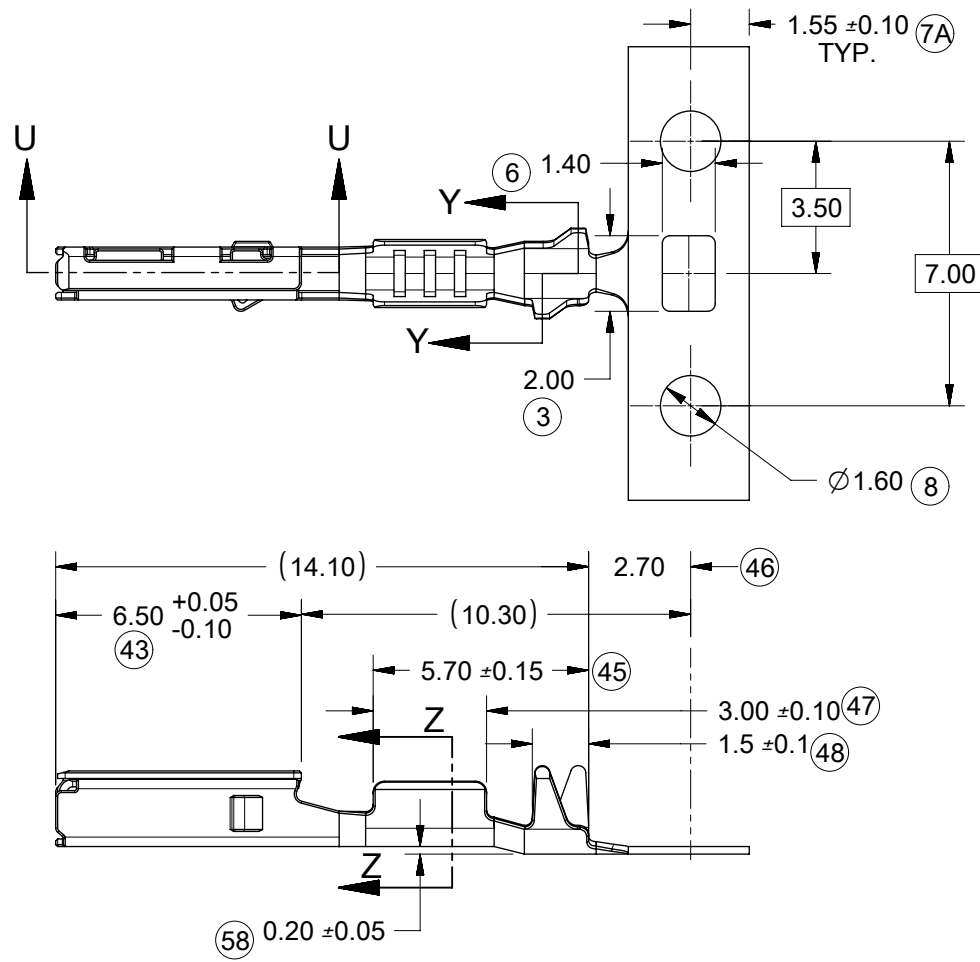
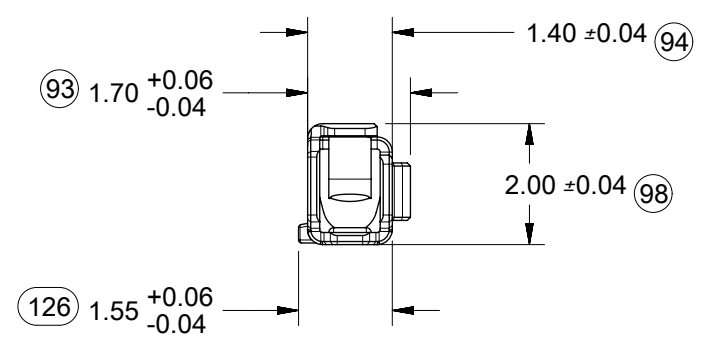


SECTION U-U
SCALE 10:1

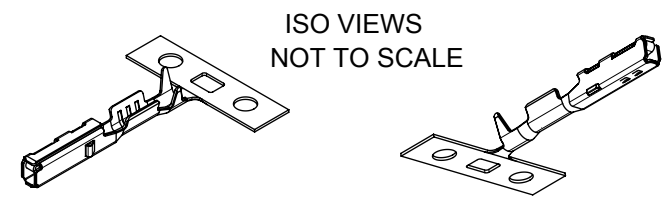


SECTION Z-Z
SCALE 10:1

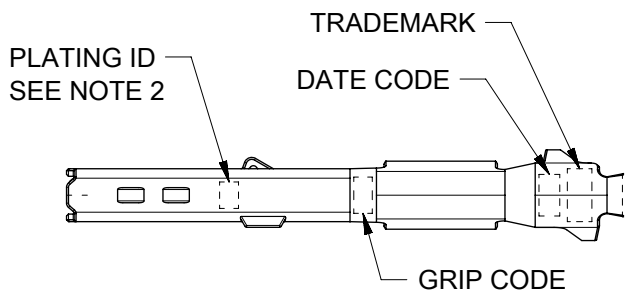
CONDUCTOR GRIP



SCALE 8:1



ISO VIEWS
NOT TO SCALE



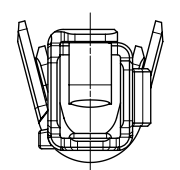
NOTES: (UNLESS OTHERWISE SPECIFIED)

- MATERIAL: COPPER ALLOY
- PLATING MARK: TIN (Sn) - NO MARK
SILVER (Ag) - A
- PACKAGING PER SD-31301-053
- CRIMPING PER AS-502306-002
- PROBING AT ANY LOCATION ON THE TERMINAL BEAM IS NOT PERMITTED
- PRODUCT SPECIFICATION PER PS-502306-001
- ANTI-TARNISH TREATMENT FOR SILVER PLATED AREA: SYNTHETIC HYDROCARBON CONTACT SURFACE FINISH OR EQUIVALENT

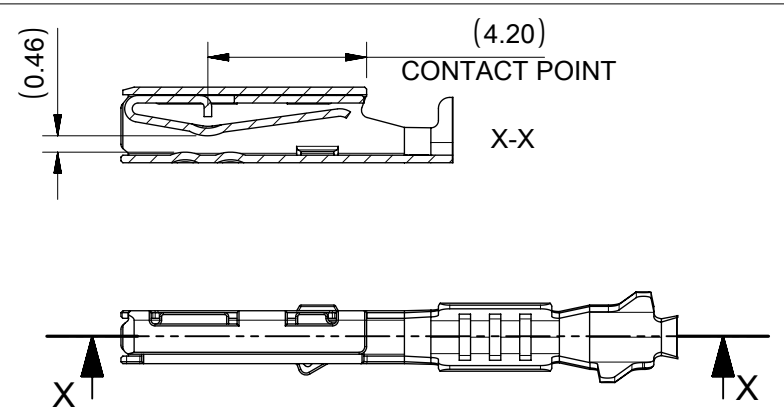
TABLE 1													
FAMILY	GENDER	SEALING	PLATING	PART NO	PAYOFF DIRECTION	GRIP CODE	WIRE SIZES*	A ±0.20	B ±0.30	C ±0.10	D ±0.20	SPECIAL CHARACTERISTICS	
CTX64	RECEPTACLE	MAT SEAL	Sn	34803-3211	LEFT (D)	S	22AWG	1.80	2.40	0.90	1.36	STANDARD PERFORMANCE TIN	
				34803-3213	RIGHT (B)		0.22-0.35mm ²						
				34803-3212	LEFT (D)	L	20AWG	2.15	2.50	1.20	1.72		STANDARD PERFORMANCE TIN
				34803-3214	RIGHT (B)		0.50-0.85mm ²						
			Ag	34803-5303	LEFT (D)	S	22AWG	1.80	2.40	0.90	1.36	HIGH PERFORMANCE SILVER	
				34803-5307	RIGHT (B)		0.22-0.35mm ²						
				34803-5305	LEFT (D)	L	20AWG	2.15	2.50	1.20	1.72		HIGH PERFORMANCE SILVER
				34803-5309	RIGHT (B)		0.50-0.85mm ²						

* SEE AS-502306-002 FOR SPECIFIC WIRE TYPES

SILVER CONTACT SHAPE



SCALE 8:1



QUALITY SYMBOLS ▽ = 0 ▽ = 0 ▽ = 0 ▼ = 0 ▽ = 0 ▽ = 0 ⊠ = 0 ■ = 0 ▽ = 0	THIS DRAWING CONTAINS INFORMATION THAT IS PROPRIETARY TO MOLEX ELECTRONIC TECHNOLOGIES, LLC AND SHOULD NOT BE USED WITHOUT WRITTEN PERMISSION														
	EC NO: 172386 DRWN: NVENKATESHSH CHKD: TOMSMITH APPR: TOMSMITH	2018/01/02 2018/02/16 2018/02/16		GENERAL TOLERANCES (UNLESS SPECIFIED) DIMENSION UNITS: mm SCALE: 5:1		DRWN BY: BJENNINGS01 DATE: 2014/05/21		CHK'D BY: ADHIR DATE: 2014/05/21		APPR BY: BMOSER DATE: 2014/06/02		DRAWING SIZE: B THIRD ANGLE PROJECTION			
		4 PLACES ±		ANGULAR TOL ± 1.0 °		3 PLACES ±		2 PLACES ± 0.08		1 PLACE ± 0.08		0 PLACES ±		CTX64 RECEPTACLE TERMINAL	
		DRAFT WHERE APPLICABLE MUST REMAIN WITHIN DIMENSIONS		0.08		0.08		0.08		0.08		PRODUCT CUSTOMER DRAWING		SERIES: 34803 MATERIAL NUMBER: [] CUSTOMER: GENERAL MARKET	
		B1		REV		B		B		B		DOCUMENT NUMBER: SD-34803-002 DOC TYPE: PSD DOC PART: 001 SHEET NUMBER: 1 OF 1		[]	
		B1		REV		B		B		B		DOCUMENT NUMBER: SD-34803-002 DOC TYPE: PSD DOC PART: 001 SHEET NUMBER: 1 OF 1		[]	
	B1		REV		B		B		B		DOCUMENT NUMBER: SD-34803-002 DOC TYPE: PSD DOC PART: 001 SHEET NUMBER: 1 OF 1		[]		