

Conductive Polymer Aluminum Electrolytic Capacitors

Products Catalog

SP-Cap



Guidelines and precautions regarding the technical information and use of our products described in this online catalog.

- If you want to use our products described in this online catalog for applications requiring special qualities or reliability, or for applications where the failure or malfunction of the products may directly jeopardize human life or potentially cause personal injury (e.g. aircraft and aerospace equipment, traffic and transportation equipment, combustion equipment, medical equipment, accident prevention, anti-crime equipment, and/or safety equipment), it is necessary to verify whether the specifications of our products fit to such applications. Please ensure that you will ask and check with our inquiry desk as to whether the specifications of our products fit to such applications use before you use our products.
- The quality and performance of our products as described in this online catalog only apply to our products when used in isolation. Therefore, please ensure you evaluate and verify our products under the specific circumstances in which our products are assembled in your own products and in which our products will actually be used.
- If you use our products in equipment that requires a high degree of reliability, regardless of the application, it is recommended that you set up protection circuits and redundancy circuits in order to ensure safety of your equipment.
- The products and product specifications described in this online catalog are subject to change for improvement without prior notice. Therefore, please be sure to request and confirm the latest product specifications which explain the specifications of our products in detail, before you finalize the design of your applications, purchase, or use our products.
- The technical information in this online catalog provides examples of our products' typical operations and application circuits. We do not guarantee the non-infringement of third party's intellectual property rights and we do not grant any license, right, or interest in our intellectual property.
- If any of our products, product specifications and/or technical information in this online catalog is to be exported or provided to non-residents, the laws and regulations of the exporting country, especially with regard to security and export control, shall be observed.

<Regarding the Certificate of Compliance with the EU RoHS Directive/REACH Regulations>

- The switchover date for compliance with the RoHS Directive/REACH Regulations varies depending on the part number or series of our products.
- When you use the inventory of our products for which it is unclear whether those products are compliant with the RoHS Directive/REACH Regulation, please select "Sales Inquiry" in the website inquiry form and contact us.

We do not take any responsibility for the use of our products outside the scope of the specifications, descriptions, guidelines and precautions described in this online catalog.

Notices

■ Applicable laws and regulations

- This product complies with the RoHS Directive (Restriction of the use of certain hazardous substances in electrical and electronic equipment (DIRECTIVE 2011/65/EU and (EU)2015/863)).
- No Ozone Depleting Chemicals(ODC's), controlled under the Montreal Protocol Agreement, are used in producing this product.
We do not use PBBs or PBDEs as brominated flame retardants.
- Export procedure which followed export related regulations, such as foreign exchange and a foreign trade method, on the occasion of export of this product.
- These products are not dangerous goods on the transportation as identified by UN(United Nations) numbers or UN classification.

■ Limited applications

- This capacitor is designed to be used for electronics circuits such as audio/visual equipment, home appliances, computers and other office equipment, optical equipment, measuring equipment.
- High reliability and safety are required [be / a possibility that incorrect operation of this product may do harm to a human life or property] more. When use is considered by the use, the delivery specifications which suited the use separately need to be exchanged.

■ Intellectual property rights and licenses

- The technical information in this specification provides examples of our products' typical operations and application circuits. We do not guarantee the non-infringement of third party's intellectual property rights and we do not grant any license, right, or interest in our intellectual property.

Items to be observed

■ For specification

- This specification guarantees the quality and performance of the product as individual components. The durability differs depending on the environment and the conditions of usage. Before use, check and evaluate their compatibility with actual conditions when installed in the products. When safety requirements cannot be satisfied in your technical examination, inform us immediately.
- Do not use the products beyond the specifications described in this document.

■ Upon application to products where safety is regarded as important

Install the following systems for a failsafe design to ensure safety if these products are to be used in equipment where a defect in these products may cause the loss of human life or other signification damage, such as damage to vehicles (automobile, train, vessel), traffic lights, medical equipment, aerospace equipment, electric heating appliances, combustion/ gas equipment, rotating rotating equipment, and disaster/crime prevention equipment.

- (1) The system is equipped with a protection circuit and protection device.
- (2) The system is equipped with a redundant circuit or other system to prevent an unsafe status in the event of a single fault.

■ Conditions of use

- Before using the products, carefully check the effects on their quality and performance, and determined whether or not they can be used. These products are designed and manufactured for general-purpose and standard use in general electronic equipment. These products are not intended for use in the following special conditions.
 - (1) In liquid, such as Water, Oil, Chemicals, or Organic solvent.
 - (2) In direct sunlight, outdoors, or in dust.
 - (3) In vapor, such as dew condensation water of resistive element, or water leakage, salty air, or air with a high concentration corrosive gas, such as Cl₂, H₂S, NH₃, SO₂, or NO_x.
 - (4) In an environment where strong static electricity or electromagnetic waves exist.
 - (5) Mounting or placing heat-generating components or inflammables, such as vinyl-coated wires, near these products.
 - (6) Sealing or coating of these products or a printed circuit board on which these products are mounted, with resin and other material.
 - (7) Using solvent, water or water-soluble cleaner for flux cleaning agent after soldering. (In particular, when using water or a water-soluble cleaning agent, be careful not to leave water residues)
 - (8) Using in the atmosphere where strays acid or alkaline.
 - (9) Using in the atmosphere where there are excessive vibration and shock.
- Please arrange circuit design for preventing impulse or transitional voltage. Do not apply voltage, which exceeds the full rated voltage when the capacitors receive impulse voltage, instantaneous high voltage, high pulse voltage etc.
- Our products there is a product are using an electrolyte solution. Therefore, misuse can result in rapid deterioration of characteristics and functions of each product. Electrolyte leakage damages printed circuit and affects performance, characteristics, and functions of customer system.

 **Application Guidelines (SP-Cap)**

1. Circuit design

1.1 Prohibited circuits for use

Do not use the SP-Cap with the following circuit.

- (1) High-impedance voltage retention circuits
- (2) Coupling circuits
- (3) Time-constant circuit
- (4) Circuit which are greatly affected by leakage current
- (5) 2 or more SP-Cap connected serially

1.2 Voltage and polarity

The application of over- voltage and reverse voltage described below can cause increases in leakage current and short circuits. Applied voltage, refers to the voltage value including the peak value of the transitional Instantaneous voltage and the peak value of ripple voltage, not just steady line voltage.

Design your circuit so than the peak voltage does not exceed the stipulated voltage.

【Over-Voltage】

Do not apply over-voltage in excess of the rated voltage. Do not apply voltage, which exceeds the full rated voltage when the SP-Cap receive impulse voltage, instantaneous high voltage, high pulse voltage etc.

【Reverse-Voltage】

Do not apply reverse-voltage

1.3 Ripple current

Use the SP-Cap within the stipulated permitted ripple current.

When excessive ripple current is applied to the SP-Cap, it causes increases in leakage current and short circuits due to self-heating.

Even when using the SP-Cap under the permissible ripple current, reverse voltage may occur if the DC bias voltage is low.

1.4 Leakage current

There is a risk of leakage current characteristics increasing even if the following use environments are within the stipulated range. However, even if the leakage current increases, the SP-Cap self-repairing function will reduce the leakage current in most cases when a voltage is applied.

- (1) After reflow
- (2) Shelf conditions such as high temperature with no load, high temperature high humidity with no load and sudden temperature changes.

1.5 Temperature

- (1) Use at or under the rated (guaranteed) temperature.

Operation at temperatures exceeding specifications causes large changes in the SP-Cap electrical properties, and deterioration than can potentially lead to failure.

When calculating the operating temperature of the SP-Cap, be sure to include not only the ambient temperature and internal temperature of the unit, but also radiation from heat generating elements inside the unit (power transistors, resistors, etc.), and self-heating due to ripple current.

- (2) Specified ESR is a value at the time of shipping from factory. ESR may change upon use conditions.

1.6 Failure rate

The majority of failure modes are short circuits or increases in leakage current.

The main factors of failure are mechanical stress, heat stress and electric stress due to re-flow and heat from the use temperature environment.

Even within the stipulated limits, it is possible to lower the failure rate by reducing use conditions such as temperature and voltage. Please be sure to have ample margin in your design.

【Expected Failure Rate】

- (a) Date based on our reliability tests: 8.2 Fit or less (Based on applied rated voltage at 105 °C)
- (b) Market failure rate: 0.13 Fit or less (Based on c=0, Reliability standard : 60 %)

1.7 Mounting area consideration

Isolate the surface of PCB under the mounted SP-Cap.

2. Mounting

2.1 When mounting

- (1) Check the SP-Cap ratings (capacitance and voltage) before mounting.
- (2) Check the SP-Cap polarity before mounting.
- (3) Check the land size for the SP-Cap before mounting.
- (4) When using a moulder, if the pressure for mounting is too high, then the current leak may increase, shortcircuiting may occur, or the SP-Cap may break down or come off.

2.2 Soldering

- (1) Reflow soldering

Be performed by one of following methods.

- (a) Ambient heat conduction reflow (IR / Hot-air)

Please refer to the page of "Mounting Specifications".

- (b) Vapor phase reflow (but only allowable for CX, CT, SX, ST, GX, LX, LT and HX series).

Please contact Panasonic for details of allowable vapor phase reflow condition.

- (2) Wave soldering and dip soldering

Please remind SP-Cap is NOT compatible.

- (3) Hand soldering

Excessive force stress to the SP-Cap should be avoided

Conditions

Tip temperature of soldering iron : 350 °C max.

Exposure time : 10 s max.

※ Once removed from the printed circuit board for any reason, please do not use the SP-Cap again.

2.3 Land size

Refer to the land size of "Mounting specifications" for appropriate design dimensions.

Circuit board design requires examination of the most suitable dimensions taking conditions such as circuit board, parts and reflow into consideration.

2.4 Mechanical stress

Do not apply excessive force to the SP-Cap this can damage the electrodes and badly affect the SP-Cap mount ability. It can also cause the increase of leakage current, separation of the lead wire and element, and damage to the SP-Cap body, all of which can badly affect the electrical performance of the SP-Cap.

2.5 Circuit board cleaning

SP-Cap should be cleaned after soldering in accordance with the following conditions.

Temperature : Less than 60 °C

Time : Within 5min

Be sure to sufficiently wash and dry (20 min at 100 °C) the board afterward.

【Recommended Cleaning Solvents】

Pine Alpha ST-100S, Clean-thru 750H / 750L / 710M, Aqua Cleaner 210SEP, Sunelec B-12

DK Beclear CW-5790, Techno Cleaner 219, Cold Cleaner P3-375, Telpene Cleaner EC-7R

Technocare FRW-17 / FRW-1 / FRV-1, AXREL 32, IPA (Isopropyl alcohol)

- (1) Consult our factory when performing processes with cleaning solvents other than those listed above or deionized water.
- (2) The use of ozone depleting cleaning agents are not recommended in the interest of protecting the environment.
- (3) In the case of using ultrasonic cleaning, the terminals may be broken. Therefore, please test before using in mass production.

3. Usage environment of equipment

Avoid using equipment to which SP-Cap are fitted in the following environments.

- (1) In liquid, such as Water, Oil, Chemicals, or Organic solvent.
- (2) In direct sunlight, outdoors, or in dust.
- (3) In vapor, such as dew condensation water of resistive element, or water leakage, salty air, or air with a high concentration corrosive gas, such as Cl₂, H₂S, NH₃, SO₂, or NO₂.
- (4) In an environment where strong static electricity or electromagnetic waves exist.
- (5) Mounting or placing heat-generating components or inflammables, such as vinyl-coated wires, near these SP-Cap.
- (6) Sealing or coating of these SP-Cap or a printed circuit board on which these SP-Cap are mounted, with resin and other material.
- (7) Acid or alkaline environments.
- (8) Environment subject to excessive vibration and shock.

4. Storage

SP-Cap should be stored in a moisture proof environment. Storage conditions before and after opening the moisture proof packaging as follows.

(If these conditions are exceeded, the package may absorb moisture and there is a risk of damage to the exterior due to heat stress during mounting.)

【Environment of Storage】

| | |
|---|------------------------------|
| Temperature | : 5 °C to 30 °C |
| Humidity | : Less than 70 % |
| Maximum storage term before opening the package | : 2 years after manufactured |
| Maximum storage condition after opening the package | : 7 days after opening |

SP-Cap should be all used within the storage term after opening the package.

5. Transportation

Take sufficient care during handling because excessive vibration, or shock can cause the reliability of the SP-Cap to decrease.

6. Emergency procedures

If the SP-Cap is overheated, the resin case may emit smoke. If this occurs, immediately switch off the unit's main power supply to stop operation. Keep your face and hands away from the SP-Cap the temperature may be high enough to cause the SP-Cap to ignite and burn.

7. Discarding

Since SP-Cap are composed of various metals and resins, treat them as industrial waste when arranging for their disposal.

The precautions in using aluminum electrolytic capacitors follow the "Safety application guide for the use in fixed aluminum electrolytic capacitors for electronic equipment", RCR-2367D issued by JEITA in October 2017. Please refer to the above application guide for details.

* Intellectual property right


We, Panasonic Group are providing the product and service that customers can use without anxiety, working positively on the protection of our products under intellectual property rights.

Representative patents relating to SP-Cap are as follows :

US Patent No. 7136276

Line up

| Series | Part No. | Feature | Low profile | Low ESR | Low ESL | High voltage | High temp. | Category temperature (°C) | Rated voltage (V) | ESR (mΩ) | Capacitance (μF) | Size (mm) |
|------------------|----------|--|-------------|---------|---------|--------------|------------|---------------------------|-------------------|-----------|------------------|---------------------|
| | | | | | | | | | | | | LxW 7.3x4.3 H |
| CX | EEFCX--- | Standard | | | | ● | | -55 to 105 | 2 to 35 | 12 to 40 | 15 to 560 | 1.9 |
| CT | EEFCT--- | | ● | | | ● | | -55 to 105 | 4 to 35 | 15 to 40 | 15 to 180 | 1.4 |
| CS | EEFCS--- | | ● | | | ● | | -55 to 105 | 4 to 35 | 15 to 40 | 10 to 120 | 1.1 |
| SX | EEFSX--- | Low ESR | | ● | | | | -55 to 105 | 2 to 6.3 | 4.5 to 9 | 82 to 560 | 1.9 |
| GX | EEFGX--- | Super low ESR High ripple current | | ● | ● | | | -55 to 105 | 2 to 2.5 | 3 | 330 to 560 | 1.9 |
| LX | EEFLX--- | Low ESR · Low ESL | | ● | ● | | | -55 to 105 | 2 to 2.5 | 4.5 to 6 | 330 to 560 | 1.9 |
| ST | EEFST--- | Low profile · Low ESR | ● | ● | | | | -55 to 105 | 2 to 2.5 | 6 | 270 to 330 | 1.4 |
| LT | EEFLT--- | Low profile Low ESR · Low ESL | ● | ● | ● | | | -55 to 105 | 2 to 2.5 | 6 | 270 to 330 | 1.4 |
| SS | EEFSS--- | Low profile · Low ESR | ● | ● | | | | -55 to 105 | 2 to 2.5 | 6 | 180 to 220 | 1.1 |
| LS | EEFLS--- | Low profile Low ESR · Low ESL | ● | ● | ● | | | -55 to 105 | 2 to 2.5 | 6 | 180 to 220 | 1.1 |
| SR | EEFSR--- | Low profile (1.0 mm max.) Low ESR | ● | ● | | | | -55 to 105 | 2 to 6.3 | 4.5 to 9 | 68 to 220 | 1.0 max. |
| LR | EEFLR--- | Low profile (1.0 mm max.) Low ESR · Low ESL | ● | ● | ● | | | -55 to 105 | 2 to 6.3 | 4.5 to 9 | 68 to 220 | 1.0 max. |
| NEW GY | EEFGY--- | Super low ESR High ripple current Height 3.0 mm max. | | ● | | | | -55 to 105 | 2 ~ 2.5 | 3 | 680 to 820 | 2.8 |
| CY | ECGCY--- | Guaranteed at 85 °C Height 3.0 mm max. | | ● | | | | -55 to 85 | 4, 6.3 | 15 | 330 to 470 | 2.8 |
| SY | ECGSY--- | | | ● | | | | -55 to 85 | 4, 6.3 | 9 | 330 to 470 | 2.8 |
| HX | EEFHX--- | Guaranteed at 125 °C | | ● | | ● | ● | -55 to 125 | 2 to 25 | 4.5 to 40 | 15 to 560 | 1.9 |

 CS, CT, CX and HX series part numbers rated 10 V.DC or above are Not Recommended For New Design.

Diagram

2-terminals

3-terminals

Standard

CX Series
 Size(mm): 7.3 x 4.3 x 1.9
 V/ μ F : 2/560 to 35/22
 ESR(m Ω) : 12 to 40



CT Series
 Size(mm): 7.3 x 4.3 x 1.4
 V/ μ F : 4/180 to 35/15
 ESR(m Ω) : 15/40



CS Series
 Size(mm): 7.3 x 4.3 x 1.1
 V/ μ F : 4/120 to 35/10
 ESR(m Ω) : 15/40

Guaranteed at 85°C

CY/SY Series
 Size(mm): 7.3 x 4.3 x 2.8
 V/ μ F : 4/470 to 6.3/330
 ESR(m Ω) : 9/15

Guaranteed at 125°C

HX Series
 Size(mm): 7.3 x 4.3 x 1.9
 V/ μ F : 2/560 to 25/33
 ESR(m Ω) : 4.5 to 40

Low ESR

NEW GY Series
 Size(mm): 7.3 x 4.3 x 2.8
 V/ μ F : 2/820 to 2.5/680
 ESR(m Ω) : 3



GX Series
 Size(mm): 7.3 x 4.3 x 1.9
 V/ μ F : 2/560 to 2.5/470
 ESR(m Ω) : 3



SX Series
 Size(mm): 7.3 x 4.3 x 1.9
 V/ μ F : 2/560 to 6.3/220
 ESR(m Ω) : 4.5 to 9



ST Series
 Size(mm): 7.3 x 4.3 x 1.4
 V/ μ F : 2/330 to 2.5/270
 ESR(m Ω) : 6



SS Series
 Size(mm): 7.3 x 4.3 x 1.1
 V/ μ F : 2/220 to 2.5/180
 ESR(m Ω) : 6



SR Series
 Size(mm): 7.3 x 4.3 x 1.0(max.)
 V/ μ F : 2/220 to 6.3/68
 ESR(m Ω) : 4.5 to 9

Low ESR/Low ESL*

GX-L Series
 Size(mm): 7.3 x 4.3 x 1.9
 V/ μ F : 2/560 to 2.5/470
 ESR(m Ω) : 3



LX Series
 Size(mm): 7.3 x 4.3 x 1.9
 V/ μ F : 2/560 to 2.5/470
 ESR(m Ω) : 4.5/6



LT Series
 Size(mm): 7.3 x 4.3 x 1.4
 V/ μ F : 2/330 to 2.5/270
 ESR(m Ω) : 6



LS Series
 Size(mm): 7.3 x 4.3 x 1.1
 V/ μ F : 2/220 to 2.5/180
 ESR(m Ω) : 6

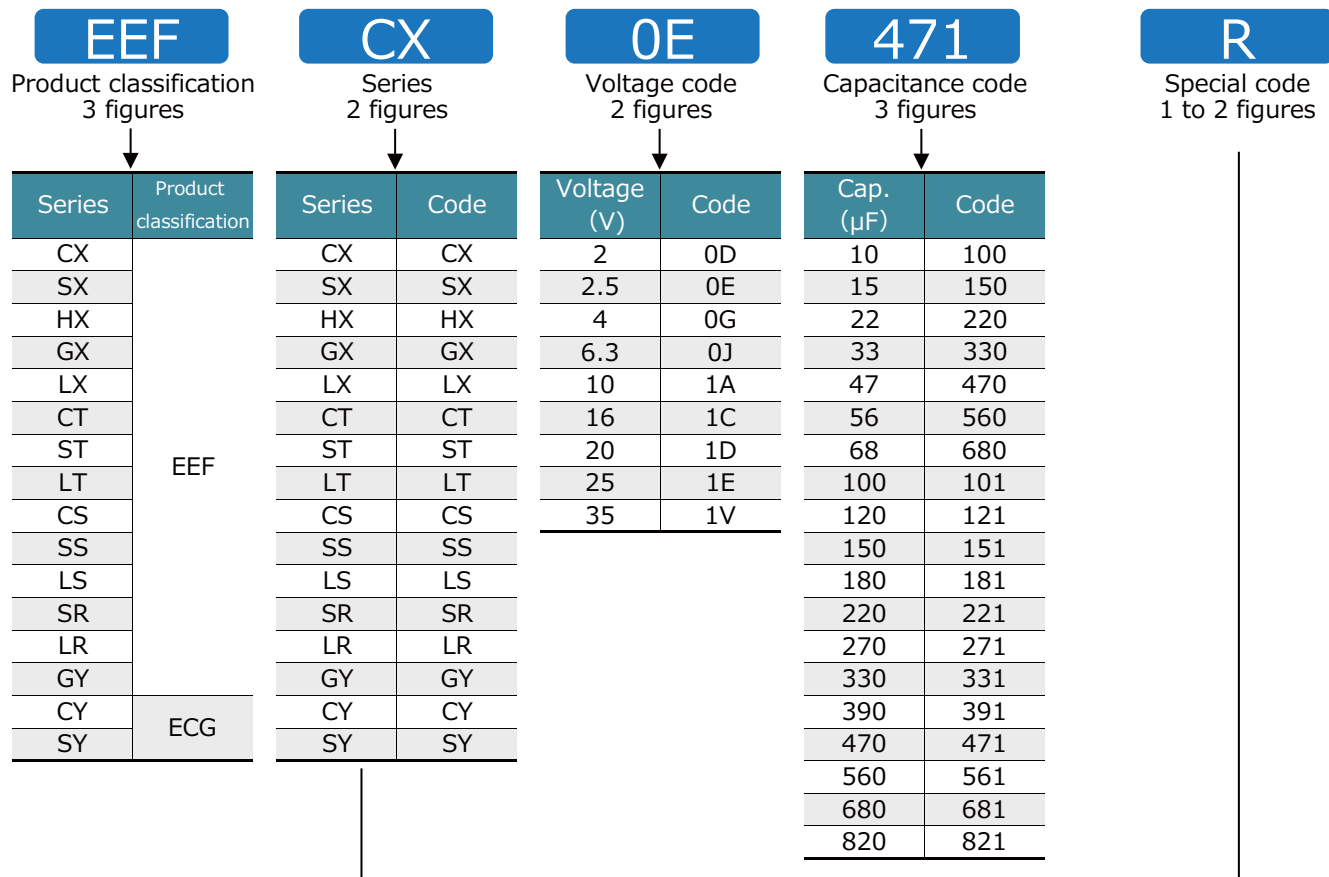


LR Series
 Size(mm): 7.3 x 4.3 x 1.0(max.)
 V/ μ F : 2/220 to 6.3/68
 ESR(m Ω) : 4.5 to 9

*ESL : 0.5nH (Typ.)

Explanation of part numbers

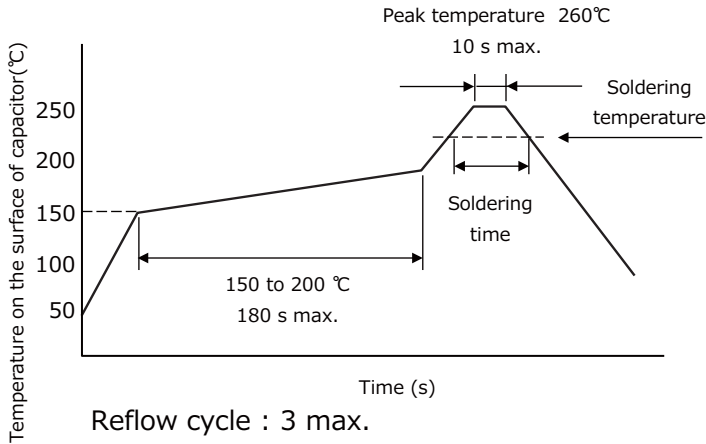
◇ Part number system



| Height (mm) | Series | Special code | ESR (mΩ max.) | Terminals | |
|-------------|-----------|--------------|-----------------------------------|-----------------------------------|---|
| | | | | 2 | 3 |
| 1.9 ± 0.1 | CX | R | 15 (to 6.3 V), 40 (10 V to 35 V) | ○ | |
| | | XR | 12 | ○ | |
| | SX | ER | 9 | ○ | |
| | | E7 | 7 | ○ | |
| | | XE | 6 | ○ | |
| | | E4 | 4.5 | ○ | |
| | HX | R | 15 (to 2.5 V), 40 (10 V to 25 V) | ○ | |
| | | R9 | 9 | ○ | |
| | | R6 | 6 | ○ | |
| | GX | R | 3 | ○ | |
| | | L | 3 | | ○ |
| | LX | R | 6 | | ○ |
| | | R4 | 4.5 | | ○ |
| | 1.4 ± 0.1 | CT | R | 15 (to 6.3 V), 40 (10 V to 35 V) | ○ |
| ST | | R | 6 | ○ | |
| LT | | R | 6 | | ○ |
| 1.1 ± 0.1 | CS | R | 15 (to 6.3 V), 40 (10 V to 35 V) | ○ | |
| | SS | R | 6 | ○ | |
| | LS | R | 6 | | ○ |
| 1.0 (max.) | SR | R | 6 (to 2.5 V), 9 (4 V to 6.3 V) | ○ | |
| | | R4 | 4.5 | ○ | |
| | LR | R | 6 (to 2.5 V), 9 (4 V to 6.3 V) | | ○ |
| | | R4 | 4.5 | | ○ |
| 2.8 ± 0.2 | GY | R | 3 | ○ | |
| | CY | R | 15 | ○ | |
| | SY | R | 9 | ○ | |

Mounting specification

● Recommendable reflow soldering



Soldering temperature and soldering time

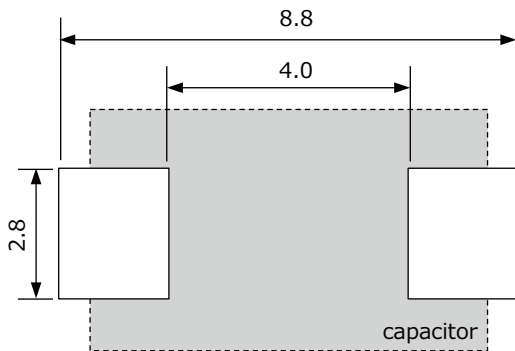
| Temperature | Time |
|-------------|------------|
| ≧ 255°C | 30 s max. |
| ≧ 230°C | 130 s max. |
| ≧ 217°C | 150 s max. |

SP-Cap recommended profile condition of the IPC/J-STD-020D standard

● Typical land pattern

□ 2-terminals

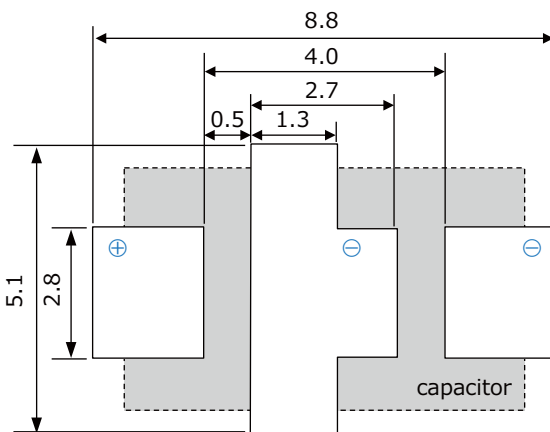
For standard terminal (C*, S*, G*, HX series)



Unit:mm

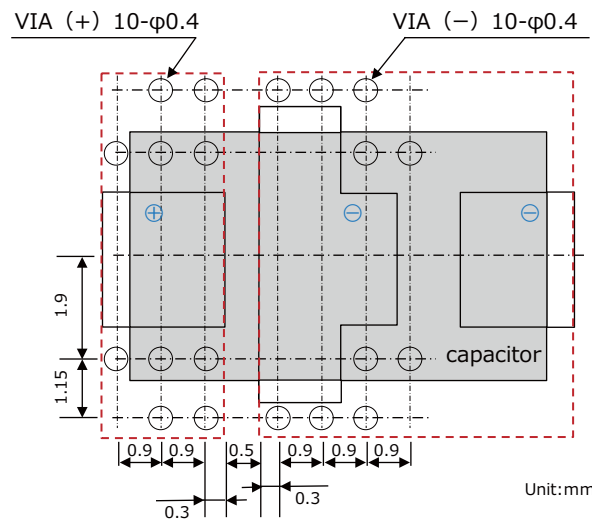
□ 3-terminals

For low ESL terminal (L*, GX-L series)



〈VIA〉

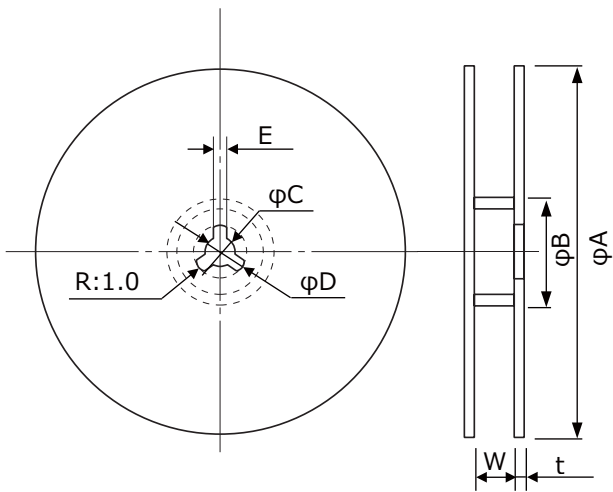
For low ESL terminal (L*, GX-L series)



Unit:mm

Packaging specifications

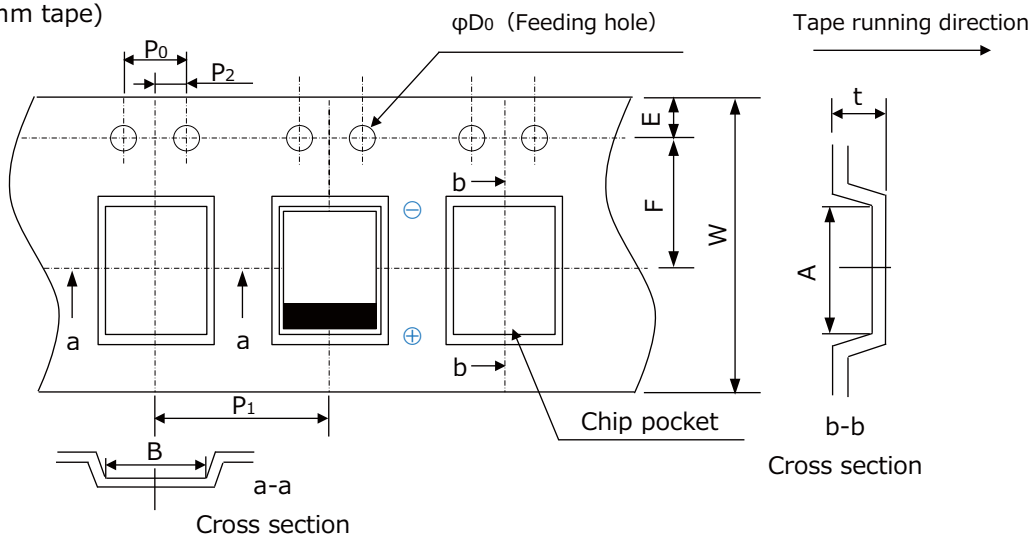
● Reel dimensions



| Unit:mm | | | | | | | |
|---------|-----|----|--------|--------|-------|----|---|
| Reel | φA | φB | φC | φD | E | W | t |
| φ330 | 330 | 80 | 13±0.5 | 21±0.8 | 2±0.5 | 14 | 3 |
| φ180 | 180 | 60 | 13±0.5 | 21±0.8 | 2±0.5 | 14 | 3 |

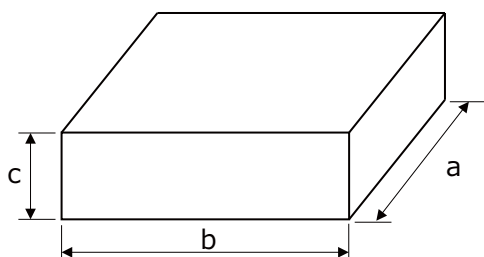
● Embossed taping (12mm tape)

(12mm tape)



| Unit:mm | | | | | |
|---------|---------|----------------------------------|--|------------|---------|
| A | B | W | F | E | P1 |
| 7.6±0.2 | 4.5±0.2 | 12±0.3 | 5.5±0.1 | 1.75±0.1 | 8.0±0.1 |
| P2 | P0 | φD0 | Upper row : Product height / Lower berth : t | | |
| 2.0±0.1 | 4.0±0.1 | 1.5 ^{+0.1} ₀ | to 1.1 | 1.4 to 1.9 | 2.8 |
| | | | 1.5±0.2 | 2.4±0.2 | 3.5±0.2 |

● Packaging box dimensions



| Unit:mm | | | |
|---------|----------|----------|----------|
| Reel | a | b | c |
| φ330 | 400 max. | 400 max. | 135 max. |
| φ180 | 320 max. | 240 max. | 135 max. |

Surface Mount Type CS,CT,CX series

CS, CT and CX series part numbers rated 10 V.DC or above are Not Recommended.
For New Design.



SP-Cap

Features

- High voltage (35 V max.)
- Low profile (Height 1.0 mm max.)
- High ripple current (5600 mA rms max.)
- RoHS compliance, Halogen free

Specifications

| Series | CS | CT | CX | |
|----------------------------|--|--|-------------------------------------|-----------------------|
| Category temp. range | -55 °C to +105 °C | | | |
| Rated voltage range | 4.0 V to 35 V | | 2.0 V to 35 V | |
| Nominal cap. range | 10 μF to 120 μF | 15 μF to 180 μF | 15 μF to 560 μF | |
| Capacitance tolerance | ±20 % (120 Hz / +20 °C) | | | |
| DC leakage current | I ≤ 0.1 CV(μA) [2.0 V to 6.3 V, 2 min], I ≤ 0.3 CV(μA) [10 V to 35 V, 2 min] | | | |
| Dissipation factor (tan δ) | ≤ 0.06 (120 Hz / + 20 °C) | | | |
| Surge voltage (V) | Rated voltage × 1.25 [2.0 V to 16 V], × 1.15 [20 V to 35 V] (15 °C to 35 °C) | | | |
| Endurance | +105 °C 2000 h, rated voltage applied | | | |
| | Capacitance change | Within ±20 % of the initial value | | |
| | Dissipation factor (tan δ) | ≤ 2 times of the initial limit | | |
| | DC leakage current | ≤ 3 times of the initial limit : 2.0 V to 6.3 V Within the initial limit : 10 V to 35 V | | |
| Damp heat (Steady state) | +60 °C, 90 %, 500 h, No-applied voltage | | | |
| | Capacitance change of initial measurd value | 2.0 V to 2.5 V +70 %, -20 % | 4.0 V, 10 V to 35 V +60 %, -20 % | 6.3 V +50 %, -20 % |
| | Dissipation factor (tan δ) | ≤ 2 times of the initial limit | | |
| | DC leakage current | Within the initial limit : 2.0 V to 6.3 V ≤ 3 times of the initial limit : 10 V to 35 V | | |

Marking

Capacitance (μF) Polarity bar (Positive)

Lot No. R. voltage code

| R. voltage code | | Unit : V | | | |
|-----------------|-----|----------|-----|---|----|
| d | 2.0 | j | 6.3 | D | 20 |
| e | 2.5 | A | 10 | E | 25 |
| g | 4.0 | C | 16 | V | 35 |

Dimensions (not to scale)

Unit : mm

| Series | L±0.2 | W1±0.2 | W2±0.1 | H±0.1 | P±0.3 |
|--------|-------|--------|--------|-------|-------|
| CS | 7.3 | 4.3 | 2.4 | 1.1 | 1.3 |
| CT | 7.3 | 4.3 | 2.4 | 1.4 | 1.3 |
| CX | 7.3 | 4.3 | 2.4 | 1.9 | 1.3 |

* Externals of figure are the reference.

Characteristics list

■ **2.0 V to 6.3 V**

| Series | Rated voltage (V) | Capacitance (μF) | Case size (mm) | | | Specification | | Part number | Min. Packaging Q'ty* ³ (pcs) |
|--------|-------------------|------------------|----------------|-----|------|---------------------------------------|-----------------------------|--------------|---|
| | | | L | W | H | Ripple current* ¹ (mA rms) | ESR* ² (mΩ max.) | | |
| CS | 4.0 | 120 | 7.3 | 4.3 | 1.1 | 5100 | 15 | EEFCS0G121R | 3500 |
| | 6.3 | 68 | 7.3 | 4.3 | 1.1 | 5100 | 15 | EEFCS0J680R | 3500 |
| CT | 4.0 | 180 | 7.3 | 4.3 | 1.4 | 5100 | 15 | EEFCT0G181R | 3500 |
| | 6.3 | 100 | 7.3 | 4.3 | 1.4 | 5100 | 15 | EEFCT0J101R | 3500 |
| CX | 2.0 | 220 | 7.3 | 4.3 | 1.9 | 5100 | 15 | EEFCX0D221R | 3500 |
| | | 270 | 7.3 | 4.3 | 1.9 | 5600 | 12 | EEFCX0D271XR | 3500 |
| | | 330 | 7.3 | 4.3 | 1.9 | 5100 | 15 | EEFCX0D331R | 3500 |
| | | | 7.3 | 4.3 | 1.9 | 5600 | 12 | EEFCX0D331XR | 3500 |
| | | 390 | 7.3 | 4.3 | 1.9 | 5100 | 15 | EEFCX0D391R | 3500 |
| | | 470 | 7.3 | 4.3 | 1.9 | 5100 | 15 | EEFCX0D471R | 3500 |
| | 560 | 7.3 | 4.3 | 1.9 | 5100 | 15 | EEFCX0D561R | 3500 | |
| | 2.5 | 220 | 7.3 | 4.3 | 1.9 | 5100 | 15 | EEFCX0E221R | 3500 |
| | | 330 | 7.3 | 4.3 | 1.9 | 5100 | 15 | EEFCX0E331R | 3500 |
| | | 390 | 7.3 | 4.3 | 1.9 | 5100 | 15 | EEFCX0E391R | 3500 |
| | | 470 | 7.3 | 4.3 | 1.9 | 5100 | 15 | EEFCX0E471R | 3500 |
| | 4.0 | 150 | 7.3 | 4.3 | 1.9 | 5100 | 15 | EEFCX0G151R | 3500 |
| | | | 7.3 | 4.3 | 1.9 | 5100 | 15 | EEFCX0G181R | 3500 |
| | | 180 | 7.3 | 4.3 | 1.9 | 5600 | 12 | EEFCX0G181XR | 3500 |
| | | | 7.3 | 4.3 | 1.9 | 5100 | 15 | EEFCX0G221R | 3500 |
| | | 220 | 7.3 | 4.3 | 1.9 | 5600 | 12 | EEFCX0G221XR | 3500 |
| | | | 270 | 7.3 | 4.3 | 1.9 | 5100 | 15 | EEFCX0G271R |
| | 330 | 7.3 | 4.3 | 1.9 | 5100 | 15 | EEFCX0G331R | 3500 | |
| | 6.3 | 100 | 7.3 | 4.3 | 1.9 | 5100 | 15 | EEFCX0J101R | 3500 |
| | | 120 | 7.3 | 4.3 | 1.9 | 5100 | 15 | EEFCX0J121R | 3500 |
| | | 150 | 7.3 | 4.3 | 1.9 | 5100 | 15 | EEFCX0J151R | 3500 |
| | | | 7.3 | 4.3 | 1.9 | 5600 | 12 | EEFCX0J151XR | 3500 |
| | | 180 | 7.3 | 4.3 | 1.9 | 5100 | 15 | EEFCX0J181R | 3500 |
| | | 220 | 7.3 | 4.3 | 1.9 | 5100 | 15 | EEFCX0J221R | 3500 |

*1: Ripple current (100 kHz / +45 °C)

*2: ESR (100 kHz / +20 °C)

*3: Please contact us when 500 pcs packing is necessary.

◆ Please refer to each page in this catalog for "Reflow conditions" and "Taping specifications".

Temperature coefficient of ripple current

| Temperature | | T ≤ 45 °C | 45 °C < T ≤ 85 °C | 85 °C < T ≤ 105 °C |
|----------------|-------------|-----------|-------------------|--------------------|
| 2.0 V to 6.3 V | Coefficient | 1.0 | 0.7 | 0.25 |

◆ Ripple current should be controlled so that surface temperature of capacitor does not exceed the category temperature.

Characteristics list

■ 10 V to 35 V

Not Recommended for New Design

| Series | Rated voltage (V) | Capacitance (μF) | Case size (mm) | | | Specification | | Part number | Min. Packaging Q'ty* ³ (pcs) |
|--------|-------------------|------------------|----------------|-----|------|---------------------------------------|-----------------------------|-------------|---|
| | | | L | W | H | Ripple current* ¹ (mA rms) | ESR* ² (mΩ max.) | | |
| CS | 10 | 47 | 7.3 | 4.3 | 1.1 | 3200 | 40 | EEFCS1A470R | 3500 |
| | 16 | 15 | 7.3 | 4.3 | 1.1 | 3200 | 40 | EEFCS1C150R | 3500 |
| | | 22 | 7.3 | 4.3 | 1.1 | 3200 | 40 | EEFCS1C220R | 3500 |
| | | 33 | 7.3 | 4.3 | 1.1 | 3200 | 40 | EEFCS1C330R | 3500 |
| | 20 | 10 | 7.3 | 4.3 | 1.1 | 3200 | 40 | EEFCS1D100R | 3500 |
| | | 15 | 7.3 | 4.3 | 1.1 | 3200 | 40 | EEFCS1D150R | 3500 |
| | | 22 | 7.3 | 4.3 | 1.1 | 3200 | 40 | EEFCS1D220R | 3500 |
| | 25 | 10 | 7.3 | 4.3 | 1.1 | 3200 | 40 | EEFCS1E100R | 3500 |
| | | 15 | 7.3 | 4.3 | 1.1 | 3200 | 40 | EEFCS1E150R | 3500 |
| | 35 | 10 | 7.3 | 4.3 | 1.1 | 3200 | 40 | EEFCS1V100R | 3500 |
| CT | 10 | 68 | 7.3 | 4.3 | 1.4 | 3200 | 40 | EEFCT1A680R | 3500 |
| | 16 | 47 | 7.3 | 4.3 | 1.4 | 3200 | 40 | EEFCT1C470R | 3500 |
| | 20 | 33 | 7.3 | 4.3 | 1.4 | 3200 | 40 | EEFCT1D330R | 3500 |
| | | 47 | 7.3 | 4.3 | 1.4 | 3200 | 40 | EEFCT1D470R | 3500 |
| | 25 | 22 | 7.3 | 4.3 | 1.4 | 3200 | 40 | EEFCT1E220R | 3500 |
| | 35 | 15 | 7.3 | 4.3 | 1.4 | 3200 | 40 | EEFCT1V150R | 3500 |
| CX | 10 | 47 | 7.3 | 4.3 | 1.9 | 3200 | 40 | EEFCX1A470R | 3500 |
| | | 68 | 7.3 | 4.3 | 1.9 | 3200 | 40 | EEFCX1A680R | 3500 |
| | | 100 | 7.3 | 4.3 | 1.9 | 3200 | 40 | EEFCX1A101R | 3500 |
| | 16 | 15 | 7.3 | 4.3 | 1.9 | 3200 | 40 | EEFCX1C150R | 3500 |
| | | 22 | 7.3 | 4.3 | 1.9 | 3200 | 40 | EEFCX1C220R | 3500 |
| | | 33 | 7.3 | 4.3 | 1.9 | 3200 | 40 | EEFCX1C330R | 3500 |
| | | 47 | 7.3 | 4.3 | 1.9 | 3200 | 40 | EEFCX1C470R | 3500 |
| | | 68 | 7.3 | 4.3 | 1.9 | 3200 | 40 | EEFCX1C680R | 3500 |
| | 20 | 22 | 7.3 | 4.3 | 1.9 | 3200 | 40 | EEFCX1D220R | 3500 |
| | | 33 | 7.3 | 4.3 | 1.9 | 3200 | 40 | EEFCX1D330R | 3500 |
| | | 47 | 7.3 | 4.3 | 1.9 | 3200 | 40 | EEFCX1D470R | 3500 |
| | | 56 | 7.3 | 4.3 | 1.9 | 3200 | 40 | EEFCX1D560R | 3500 |
| | 25 | 15 | 7.3 | 4.3 | 1.9 | 3200 | 40 | EEFCX1E150R | 3500 |
| | | 22 | 7.3 | 4.3 | 1.9 | 3200 | 40 | EEFCX1E220R | 3500 |
| | | 33 | 7.3 | 4.3 | 1.9 | 3200 | 40 | EEFCX1E330R | 3500 |
| | 35 | 15 | 7.3 | 4.3 | 1.9 | 3200 | 40 | EEFCX1V150R | 3500 |
| 22 | | 7.3 | 4.3 | 1.9 | 3200 | 40 | EEFCX1V220R | 3500 | |

*1: Ripple current (100 kHz / +45 °C)

*2: ESR (100 kHz / +20 °C)

*3: Please contact us when 500 pcs packing is necessary.

◆ Please refer to each page in this catalog for "Reflow conditions" and "Taping specifications".

Temperature coefficient of ripple current

| Temperature | | T ≤ 45 °C | 45 °C < T ≤ 85 °C | 85 °C < T ≤ 105 °C |
|--------------|-------------|-----------|-------------------|--------------------|
| 10 V to 35 V | Coefficient | 1.0 | 0.8 | 0.5 |

◆ Ripple current should be controlled so that surface temperature of capacitor does not exceed the category temperature.

Surface Mount Type

SX series

[Low ESR products]



SP-Cap

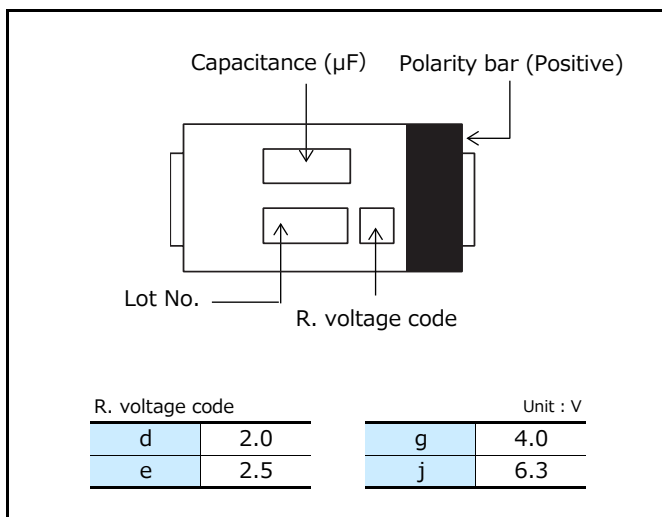
Features

- Large capacitance (560 μF max.)
- Low ESR (4.5 $\text{m}\Omega$ to 9 $\text{m}\Omega$ max.)
- High ripple current (8500 mA rms max.)
- RoHS compliance, Halogen free

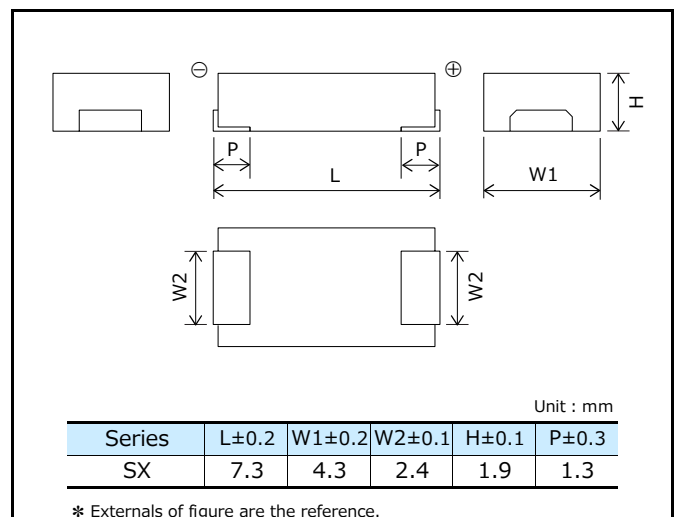
Specifications

| | | | | |
|--------------------------------------|---|--|--------------|--------------|
| Series | SX | | | |
| Category temp. range | -55 °C to +105 °C | | | |
| Rated voltage range | 2.0 V to 6.3 V | | | |
| Nominal cap. range | 82 μF to 560 μF | | | |
| Capacitance tolerance | $\pm 20\%$ (120 Hz / +20 °C) | | | |
| DC leakage current | $I \leq 0.1 \text{ CV}$ (μA) 2 minutes | | | |
| Dissipation factor ($\tan \delta$) | ≤ 0.06 (120 Hz / +20 °C) | | | |
| Surge voltage (V) | Rated voltage $\times 1.25$ (15 °C to 35 °C) | | | |
| Endurance | +105 °C 2000 h, rated voltage applied | | | |
| | Capacitance change | Within $\pm 20\%$ of the initial value | | |
| | Dissipation factor ($\tan \delta$) | ≤ 2 times of the initial limit | | |
| | DC leakage current | ≤ 3 times of the initial limit | | |
| Damp heat (Steady state) | +60 °C, 90 %, 500 h, No-applied voltage | | | |
| | Capacitance change of initial measured value | 2.0 V to 2.5 V | 4.0 V | 6.3 V |
| | | +70 %, -20 % | +60 %, -20 % | +50 %, -20 % |
| | Dissipation factor ($\tan \delta$) | ≤ 2 times of the initial limit | | |
| | DC leakage current | Within the initial limit | | |

Marking



Dimensions (not to scale)



Characteristics list

| Series | Rated voltage (V) | Capacitance (μF) | Case size (mm) | | | Specification | | Part number | Min. Packaging Q'ty* ³ (pcs) | |
|--------|-------------------|------------------|----------------|-----|------|---------------------------------------|-----------------------------|--------------|---|------|
| | | | L | W | H | Ripple current* ¹ (mA rms) | ESR* ² (mΩ max.) | | | |
| SX | 2.0 | 180 | 7.3 | 4.3 | 1.9 | 6300 | 9 | EEFSX0D181ER | 3500 | |
| | | 220 | 7.3 | 4.3 | 1.9 | 6300 | 9 | EEFSX0D221ER | 3500 | |
| | | 270 | 7.3 | 4.3 | 1.9 | 6300 | 9 | EEFSX0D271ER | 3500 | |
| | | | 7.3 | 4.3 | 1.9 | 7500 | 6 | EEFSX0D271XE | 3500 | |
| | | | 7.3 | 4.3 | 1.9 | 8500 | 4.5 | EEFSX0D271E4 | 3500 | |
| | | 330 | 7.3 | 4.3 | 1.9 | 6300 | 9 | EEFSX0D331ER | 3500 | |
| | | | 7.3 | 4.3 | 1.9 | 7500 | 6 | EEFSX0D331XE | 3500 | |
| | | | 7.3 | 4.3 | 1.9 | 8500 | 4.5 | EEFSX0D331E4 | 3500 | |
| | | 390 | 7.3 | 4.3 | 1.9 | 6300 | 9 | EEFSX0D391ER | 3500 | |
| | | | 7.3 | 4.3 | 1.9 | 7500 | 6 | EEFSX0D391XE | 3500 | |
| | | | 7.3 | 4.3 | 1.9 | 8500 | 4.5 | EEFSX0D391E4 | 3500 | |
| | | 470 | 7.3 | 4.3 | 1.9 | 6300 | 9 | EEFSX0D471ER | 3500 | |
| | 7.3 | | 4.3 | 1.9 | 7500 | 6 | EEFSX0D471XE | 3500 | | |
| | 7.3 | | 4.3 | 1.9 | 8500 | 4.5 | EEFSX0D471E4 | 3500 | | |
| | 560 | 7.3 | 4.3 | 1.9 | 8500 | 4.5 | EEFSX0D561E4 | 3500 | | |
| | 2.5 | 150 | 7.3 | 4.3 | 1.9 | 6300 | 9 | EEFSX0E151ER | 3500 | |
| | | 180 | 7.3 | 4.3 | 1.9 | 6300 | 9 | EEFSX0E181ER | 3500 | |
| | | 220 | 7.3 | 4.3 | 1.9 | 6300 | 9 | EEFSX0E221ER | 3500 | |
| | | | 7.3 | 4.3 | 1.9 | 7000 | 7 | EEFSX0E221E7 | 3500 | |
| | | 270 | 7.3 | 4.3 | 1.9 | 7000 | 7 | EEFSX0E271E7 | 3500 | |
| | | | 7.3 | 4.3 | 1.9 | 6300 | 9 | EEFSX0E331ER | 3500 | |
| | | 330 | 7.3 | 4.3 | 1.9 | 7500 | 6 | EEFSX0E331XE | 3500 | |
| | | | 7.3 | 4.3 | 1.9 | 8500 | 4.5 | EEFSX0E331E4 | 3500 | |
| | | | 7.3 | 4.3 | 1.9 | 6300 | 9 | EEFSX0E391ER | 3500 | |
| | | 390 | 7.3 | 4.3 | 1.9 | 7500 | 6 | EEFSX0E391XE | 3500 | |
| | | | 7.3 | 4.3 | 1.9 | 8500 | 4.5 | EEFSX0E391E4 | 3500 | |
| | | | 7.3 | 4.3 | 1.9 | 6300 | 9 | EEFSX0E471ER | 3500 | |
| | | 470 | 7.3 | 4.3 | 1.9 | 7500 | 6 | EEFSX0E471XE | 3500 | |
| | | | 7.3 | 4.3 | 1.9 | 8500 | 4.5 | EEFSX0E471E4 | 3500 | |
| | | | 82 | 7.3 | 4.3 | 1.9 | 6300 | 9 | EEFSX0G820ER | 3500 |
| | | 4.0 | 100 | 7.3 | 4.3 | 1.9 | 6300 | 9 | EEFSX0G101ER | 3500 |
| | | | 150 | 7.3 | 4.3 | 1.9 | 6300 | 9 | EEFSX0G151ER | 3500 |
| | | | | 7.3 | 4.3 | 1.9 | 7000 | 7 | EEFSX0G151E7 | 3500 |
| | 180 | | 7.3 | 4.3 | 1.9 | 6300 | 9 | EEFSX0G181ER | 3500 | |
| | 220 | | 7.3 | 4.3 | 1.9 | 6300 | 9 | EEFSX0G221ER | 3500 | |
| | 270 | | 7.3 | 4.3 | 1.9 | 6300 | 9 | EEFSX0G271ER | 3500 | |
| 7.3 | | | 4.3 | 1.9 | 6300 | 9 | EEFSX0G331ER | 3500 | | |
| 330 | 7.3 | | 4.3 | 1.9 | 7500 | 6 | EEFSX0G331XE | 3500 | | |
| | 120 | | 7.3 | 4.3 | 1.9 | 7000 | 7 | EEFSX0J121E7 | 3500 | |
| 6.3 | 150 | | 7.3 | 4.3 | 1.9 | 6300 | 9 | EEFSX0J151ER | 3500 | |
| | 180 | 7.3 | 4.3 | 1.9 | 6300 | 9 | EEFSX0J181ER | 3500 | | |
| | 220 | 7.3 | 4.3 | 1.9 | 6300 | 9 | EEFSX0J221ER | 3500 | | |

*1: Ripple current (100 kHz / +45 °C)

*2: ESR (100 kHz / +20 °C)

*3: Please contact us when 500 pcs packing is necessary.

◆ Please refer to each page in this catalog for "Reflow conditions" and "Taping specifications".

Temperature coefficient of ripple current

| Temperature | | T ≤ 45 °C | 45 °C < T ≤ 85 °C | 85 °C < T ≤ 105 °C |
|----------------|-------------|-----------|-------------------|--------------------|
| 2.0 V to 6.3 V | Coefficient | 1.0 | 0.7 | 0.25 |

◆ Ripple current should be controlled so that surface temperature of capacitor does not exceed the category temperature.

Surface Mount Type

GX/GX-L series

[Super low ESR products]



SP-Cap

Features

- Large capacitance (560 μF max.)
- Super Low ESR (3 $\text{m}\Omega$ max.)
- Low ESL (3-terminals : 50 % less than 2-terminals) [Suffix : L]
- High ripple current (10200 mA rms max.)
- RoHS compliance, Halogen free

Specifications

| Series | GX | |
|------------------------------------|---|--|
| Category temp. range | -55 °C to +105 °C | |
| Rated voltage range | 2.0 V to 2.5 V | |
| Nominal cap. range | 330 μF to 560 μF | |
| Capacitance tolerance | $\pm 20\%$ (120 Hz / +20 °C) | |
| DC leakage current | $I \leq 0.1 \text{ CV}$ (μA) 2 minutes | |
| Dissipation factor (tan δ) | ≤ 0.06 (120 Hz / + 20 °C) | |
| Surge voltage (V) | Rated voltage $\times 1.25$ (15 °C to 35 °C) | |
| Endurance | +105 °C 2000 h, rated voltage applied | |
| | Capacitance change | Within $\pm 20\%$ of the initial value |
| | Dissipation factor (tan δ) | ≤ 2 times of the initial limit |
| | DC leakage current | ≤ 3 times of the initial limit |
| Damp heat (Steady state) | +60 °C, 90 %, 500 h, No-applied voltage | |
| | Capacitance change of initial measured value | 2.0 V to 2.5 V $+70\%$, -20% |
| | Dissipation factor (tan δ) | ≤ 2 times of the initial limit |
| | DC leakage current | Within the initial limit |

Marking

Capacitance (μF)

Polarity bar (Positive)

R. voltage code

| R. voltage code | Unit : V |
|-----------------|----------|
| d | 2.0 |
| e | 2.5 |

Lot No.

Dimensions (not to scale)

2 terminals

| Series | Unit : mm | | | | |
|--------|-------------|--------------|--------------|-------------|-------------|
| | L ± 0.2 | W1 ± 0.2 | W2 ± 0.1 | H ± 0.1 | P ± 0.3 |
| GX | 7.3 | 4.3 | 2.4 | 1.9 | 1.3 |

3 terminals

| Series | Unit : mm | | | | | | | |
|--------|-------------|--------------|--------------|-------------|--------------|--------------|--------------|--------------|
| | L ± 0.2 | W1 ± 0.2 | W2 ± 0.1 | H ± 0.1 | P1 ± 0.3 | P2 ± 0.1 | P3 ± 0.2 | P4 ± 0.2 |
| GX-L | 7.3 | 4.3 | 2.4 | 1.9 | 1.3 | 1.1 | 0.7 | 1.4 |

* Externals of figure are the reference.

Characteristics list

| Series | Rated voltage (V) | Capacitance (μF) | Case size (mm) | | | Specification | | The number of terminals | | Part number | Min. Packaging Q'ty ^{*3} (pcs) |
|--------|-------------------|------------------|----------------|-----|-------|---------------------------------------|-----------------------------|-------------------------|-------------|-------------|---|
| | | | L | W | H | Ripple current ^{*1} (mA rms) | ESR ^{*2} (mΩ max.) | 2 | 3 | | |
| GX | 2.0 | 330 | 7.3 | 4.3 | 1.9 | 10200 | 3 | ○ | | EEFGX0D331R | 3500 |
| | | 470 | 7.3 | 4.3 | 1.9 | 10200 | 3 | ○ | | EEFGX0D471R | 3500 |
| | | | 7.3 | 4.3 | 1.9 | 10200 | 3 | | ○ | EEFGX0D471L | 3500 |
| | | | 7.3 | 4.3 | 1.9 | 10200 | 3 | ○ | | EEFGX0D561R | 3500 |
| | | 560 | 7.3 | 4.3 | 1.9 | 10200 | 3 | | ○ | EEFGX0D561L | 3500 |
| | | | 7.3 | 4.3 | 1.9 | 10200 | 3 | | | | |
| | 7.3 | | 4.3 | 1.9 | 10200 | 3 | | | | | |
| | 2.5 | 330 | 7.3 | 4.3 | 1.9 | 10200 | 3 | ○ | | EEFGX0E331R | 3500 |
| | | 470 | 7.3 | 4.3 | 1.9 | 10200 | 3 | ○ | | EEFGX0E471R | 3500 |
| 7.3 | | | 4.3 | 1.9 | 10200 | 3 | | ○ | EEFGX0E471L | 3500 | |

*1: Ripple current (100 kHz / +45 °C)

*2: ESR (100 kHz / +20 °C)

*3: Please contact us when 500 pcs packing is necessary.

◆ Please refer to each page in this catalog for "Reflow conditions" and "Taping specifications".

Temperature coefficient of ripple current

| Temperature | | T ≤ 45 °C | 45 °C < T ≤ 85 °C | 85 °C < T ≤ 105 °C |
|----------------|-------------|-----------|-------------------|--------------------|
| 2.0 V to 2.5 V | Coefficient | 1.0 | 0.7 | 0.25 |

◆ Ripple current should be controlled so that surface temperature of capacitor does not exceed the category temperature.

Surface Mount Type

LX series

[Low ESR / Low ESL products]



SP-Cap

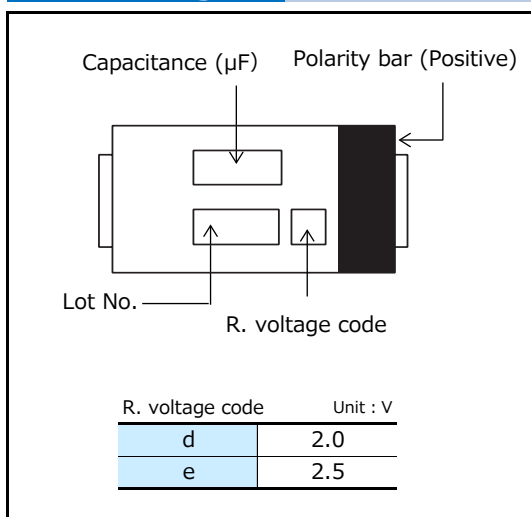
Features

- Large capacitance (560 μ F max.)
- Low ESR (4.5 m Ω , 6 m Ω max.)
- Low ESL (3-terminals : 50 % less than 2-terminals)
- High ripple current (8500 mA rms max.)
- RoHS compliance, Halogen free

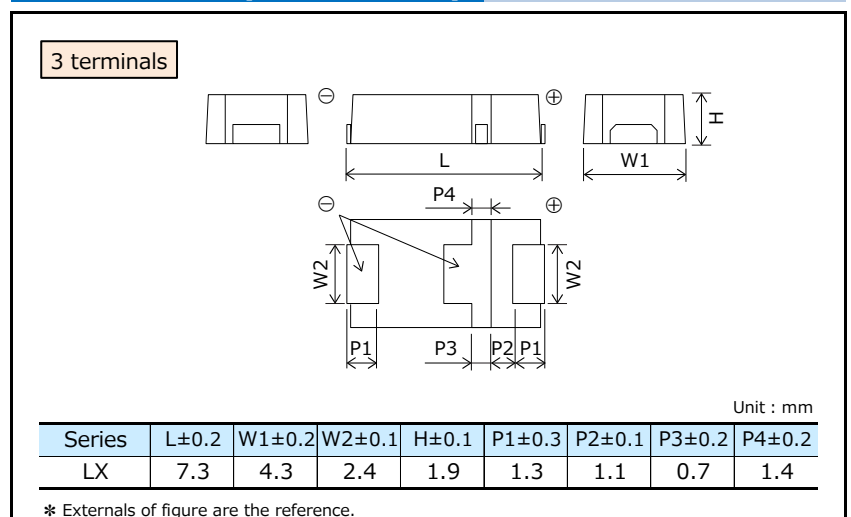
Specifications

| | | |
|------------------------------------|--|--|
| Series | LX | |
| Category temp. range | -55 °C to +105 °C | |
| Rated voltage range | 2.0 V to 2.5 V | |
| Nominal cap. range | 330 μ F to 560 μ F | |
| Capacitance tolerance | \pm 20 % (120 Hz / +20 °C) | |
| DC leakage current | $I \leq 0.1 CV$ (μ A) 2 minutes | |
| Dissipation factor (tan δ) | ≤ 0.06 (120 Hz / + 20 °C) | |
| Surge voltage (V) | Rated voltage \times 1.25 (15 °C to 35 °C) | |
| Endurance | +105 °C 2000 h, rated voltage applied | |
| | Capacitance change | Within \pm 20 % of the initial value |
| | Dissipation factor (tan δ) | ≤ 2 times of the initial limit |
| | DC leakage current | ≤ 3 times of the initial limit |
| Damp heat (Steady state) | +60 °C, 90 %, 500 h, No-applied voltage | |
| | Capacitance change of initial measured value | 2.0 V to 2.5 V +70 %, -20 % |
| | Dissipation factor (tan δ) | ≤ 2 times of the initial limit |
| | DC leakage current | Within the initial limit |

Marking



Dimensions (not to scale)



Characteristics list

| Series | Rated voltage (V) | Capacitance (μF) | Case size (mm) | | | Specification | | Part number | Min. Packaging Q'ty ^{*3} (pcs) |
|--------|-------------------|------------------|----------------|-----|-----|---------------------------------------|-----------------------------|--------------|---|
| | | | L | W | H | Ripple current ^{*1} (mA rms) | ESR ^{*2} (mΩ max.) | | |
| LX | 2.0 | 330 | 7.3 | 4.3 | 1.9 | 7500 | 6 | EEFLX0D331R | 3500 |
| | | | 7.3 | 4.3 | 1.9 | 8500 | 4.5 | EEFLX0D331R4 | 3500 |
| | | 470 | 7.3 | 4.3 | 1.9 | 7500 | 6 | EEFLX0D471R | 3500 |
| | | | 7.3 | 4.3 | 1.9 | 8500 | 4.5 | EEFLX0D471R4 | 3500 |
| | | 560 | 7.3 | 4.3 | 1.9 | 7500 | 6 | EEFLX0D561R | 3500 |
| | | | 7.3 | 4.3 | 1.9 | 8500 | 4.5 | EEFLX0D561R4 | 3500 |
| | 2.5 | 330 | 7.3 | 4.3 | 1.9 | 7500 | 6 | EEFLX0E331R | 3500 |
| | | | 7.3 | 4.3 | 1.9 | 8500 | 4.5 | EEFLX0E331R4 | 3500 |
| | | 470 | 7.3 | 4.3 | 1.9 | 7500 | 6 | EEFLX0E471R | 3500 |
| | | | 7.3 | 4.3 | 1.9 | 8500 | 4.5 | EEFLX0E471R4 | 3500 |

*1: Ripple current (100 kHz / +45 °C)

*2: ESR (100 kHz / +20 °C)

*3: Please contact us when 500 pcs packing is necessary.

◆ Please refer to each page in this catalog for "Reflow conditions" and "Taping specifications".

Temperature coefficient of ripple current

| Temperature | | T ≤ 45 °C | 45 °C < T ≤ 85 °C | 85 °C < T ≤ 105 °C |
|----------------|-------------|-----------|-------------------|--------------------|
| 2.0 V to 2.5 V | Coefficient | 1.0 | 0.7 | 0.25 |

◆ Ripple current should be controlled so that surface temperature of capacitor does not exceed the category temperature.

Surface Mount Type
SR,LR,SS,LS,ST,LT series



Features

- Low profile (Height 1.0 mm max.)
- Low ESR (4.5 mΩ to 9 mΩ max.)
- Low ESL (3-terminals : 50% less then 2-terminals) [LR, LS, LT series]
- High ripple current (8500 mA rms max.)
- RoHS compliance, Halogen free

Specifications

| Series | SR | LR | SS | LS | ST | LT | |
|----------------------------|---|-----------------------------------|------------------|----------------|------------------|--------------|--|
| Category temp. range | -55 °C to +105 °C | | | | | | |
| Rated voltage range | 2.0 V to 6.3 V | | | 2.0 V to 2.5 V | | | |
| Nominal cap. range | 68 μF to 220 μF | | 180 μF to 220 μF | | 270 μF to 330 μF | | |
| Capacitance tolerance | ±20 % (120 Hz / +20 °C) | | | | | | |
| DC leakage current | $I \leq 0.1 CV$ (μA) 2 minutes | | | | | | |
| Dissipation factor (tan δ) | ≤ 0.06 (120 Hz / + 20 °C) | | | | | | |
| Surge voltage (V) | Rated voltage × 1.25 (15 °C to 35 °C) | | | | | | |
| Endurance | +105 °C 2000 h, rated voltage applied | | | | | | |
| | Capacitance change | Within ±20 % of the initial value | | | | | |
| | Dissipation factor (tan δ) | ≤ 2 times of the initial limit | | | | | |
| | DC leakage current | ≤ 3 times of the initial limit | | | | | |
| Damp heat (Steady state) | +60 °C, 90 %, 500 h, No-applied voltage | | | | | | |
| | Capacitance change of initial measur value | 2.0 V to 2.5 V | | 4.0 V | | 6.3 V | |
| | | +70 %, -20 % | | +60 %, -20 % | | +50 %, -20 % | |
| | Dissipation factor (tan δ) | ≤ 2 times of the initial limit | | | | | |
| | DC leakage current Within the initial limit | | | | | | |

Marking

| R. voltage code | Unit : V |
|-----------------|----------|
| d | 2.0 |
| e | 2.5 |
| g | 4.0 |
| j | 6.3 |

Dimensions (not to scale)

2 terminals

SR, SS, ST series

| Series | L±0.2 | W1±0.2 | W2±0.1 | H±0.1 | P±0.3 |
|--------|-------|--------|--------|-------------------|-------|
| SR | 7.3 | 4.3 | 2.4 | 1.0 ^{*1} | 1.3 |
| SS | 7.3 | 4.3 | 2.4 | 1.1 | 1.3 |
| ST | 7.3 | 4.3 | 2.4 | 1.4 | 1.3 |

*1:max.

3 terminals

LR, LS, LT series

| Series | L±0.2 | W1±0.2 | W2±0.1 | H±0.1 | P1±0.3 | P2±0.1 | P3±0.2 | P4±0.2 |
|--------|-------|--------|--------|-------------------|--------|--------|--------|--------|
| LR | 7.3 | 4.3 | 2.4 | 1.0 ^{*1} | 1.3 | 1.1 | 0.7 | 1.4 |
| LS | 7.3 | 4.3 | 2.4 | 1.1 | 1.3 | 1.1 | 0.7 | 1.4 |
| LT | 7.3 | 4.3 | 2.4 | 1.4 | 1.3 | 1.1 | 0.7 | 1.4 |

*1:max.

* Externals of figure are the reference.

Characteristics list

| Series | Rated voltage (V) | Capacitance (μF) | Case size (mm) | | | Specification | | The number of terminals | | Part number | Min. Packaging Q'ty ^{*3} (pcs) |
|--------|-------------------|------------------|----------------|----------|----------|---------------------------------------|-----------------------------|-------------------------|-------------|--------------|---|
| | | | L | W | H | Ripple current ^{*1} (mA rms) | ESR ^{*2} (mΩ max.) | 2 | 3 | | |
| SR | 2.0 | 220 | 7.3 | 4.3 | 1.0 max. | 7500 | 6 | ○ | | EEFSR0D221R | 3500 |
| | | | 7.3 | 4.3 | 1.0 max. | 8500 | 4.5 | ○ | | EEFSR0D221R4 | 3500 |
| | 2.5 | 180 | 7.3 | 4.3 | 1.0 max. | 7500 | 6 | ○ | | EEFSR0E181R | 3500 |
| | | | 7.3 | 4.3 | 1.0 max. | 8500 | 4.5 | ○ | | EEFSR0E181R4 | 3500 |
| | 4.0 | 120 | 7.3 | 4.3 | 1.0 max. | 6300 | 9 | ○ | | EEFSR0G121R | 3500 |
| 6.3 | 68 | 7.3 | 4.3 | 1.0 max. | 6300 | 9 | ○ | | EEFSR0J680R | 3500 | |
| LR | 2.0 | 220 | 7.3 | 4.3 | 1.0 max. | 7500 | 6 | | ○ | EEFLR0D221R | 3500 |
| | | | 7.3 | 4.3 | 1.0 max. | 8500 | 4.5 | | ○ | EEFLR0D221R4 | 3500 |
| | 2.5 | 180 | 7.3 | 4.3 | 1.0 max. | 7500 | 6 | | ○ | EEFLR0E181R | 3500 |
| | | | 7.3 | 4.3 | 1.0 max. | 8500 | 4.5 | | ○ | EEFLR0E181R4 | 3500 |
| | 4.0 | 120 | 7.3 | 4.3 | 1.0 max. | 6300 | 9 | | ○ | EEFLR0G121R | 3500 |
| 6.3 | 68 | 7.3 | 4.3 | 1.0 max. | 6300 | 9 | | ○ | EEFLR0J680R | 3500 | |
| SS | 2.0 | 220 | 7.3 | 4.3 | 1.1 | 7500 | 6 | ○ | | EEFSS0D221R | 3500 |
| | 2.5 | 180 | 7.3 | 4.3 | 1.1 | 7500 | 6 | ○ | | EEFSS0E181R | 3500 |
| LS | 2.0 | 220 | 7.3 | 4.3 | 1.1 | 7500 | 6 | | ○ | EEFLS0D221R | 3500 |
| | 2.5 | 180 | 7.3 | 4.3 | 1.1 | 7500 | 6 | | ○ | EEFLS0E181R | 3500 |
| ST | 2.0 | 330 | 7.3 | 4.3 | 1.4 | 7500 | 6 | ○ | | EEFST0D331R | 3500 |
| | 2.5 | 270 | 7.3 | 4.3 | 1.4 | 7500 | 6 | ○ | | EEFST0E271R | 3500 |
| LT | 2.0 | 330 | 7.3 | 4.3 | 1.4 | 7500 | 6 | | ○ | EEFLT0D331R | 3500 |
| | 2.5 | 270 | 7.3 | 4.3 | 1.4 | 7500 | 6 | | ○ | EEFLT0E271R | 3500 |

*1: Ripple current (100 kHz / +45 °C)

*2: ESR (100 kHz / +20 °C)

*3: Please contact us when 500 pcs packing is necessary.

◆ Please refer to each page in this catalog for "Reflow conditions" and "Taping specifications".

Temperature coefficient of ripple current

| Temperature | | T ≤ 45 °C | 45 °C < T ≤ 85 °C | 85 °C < T ≤ 105 °C |
|----------------|-------------|-----------|-------------------|--------------------|
| 2.0 V to 6.3 V | Coefficient | 1.0 | 0.7 | 0.25 |

◆ Ripple current should be controlled so that surface temperature of capacitor does not exceed the category temperature.

Surface Mount Type

GY series

[Super low ESR]



SP-Cap

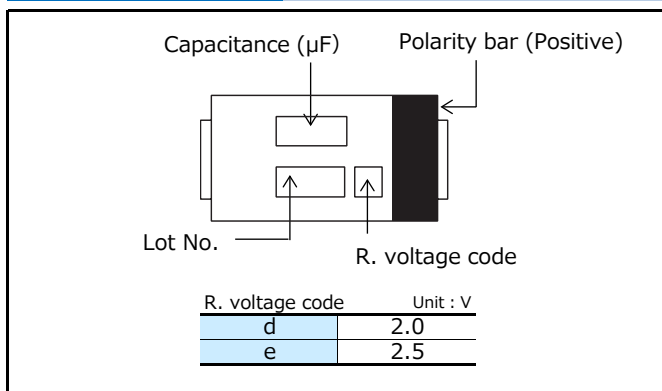
Features

- Super low ESR (3 mΩ max.)
- Large capacitance (820 μF max.)
- High ripple current (10200 mA rms max.)
- RoHS compliance, Halogen free

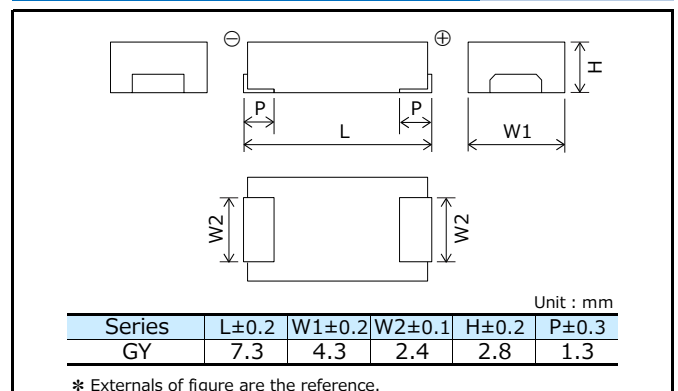
Specifications

| | | |
|----------------------------|---|-----------------------------------|
| Series | GY | |
| Category temp. range | -55 °C to +105 °C | |
| Rated voltage range | 2.0 V to 2.5 V | |
| Nominal cap. range | 680 μF to 820 μF | |
| Capacitance tolerance | ±20 % (120 Hz / +20 °C) | |
| DC leakage current | I ≤ 0.1 CV (μA) 2 minutes | |
| Dissipation factor (tan δ) | ≤ 0.06 (120 Hz / + 20 °C) | |
| Surge voltage (V) | Rated voltage × 1.25 (15 °C to 35 °C) | |
| Endurance | +105 °C 2000 h, rated voltage applied | |
| | Capacitance change | Within ±20 % of the initial value |
| | Dissipation factor (tan δ) | ≤ 2 times of the initial limit |
| | DC leakage current | ≤ 3 times of the initial limit |
| Damp heat (Steady state) | +60 °C, 90 %, 500 h, No-applied voltage | |
| | Capacitance change of initial measurd value | 2.0 V to 2.5 V +70 %, -20 % |
| | Dissipation factor (tan δ) | ≤ 2 times of the initial limit |
| | DC leakage current | Within the initial limit |

Marking



Dimensions (not to scale)



Characteristics list

| Series | Rated voltage (V) | Capacitance (μF) | Case size (mm) | | | Specification | | Part number | Min. Packaging Q'ty (pcs) |
|--------|-------------------|------------------|----------------|-----|-----|---------------------------|-----------------|-------------|---------------------------|
| | | | L | W | H | Ripple current*1 (mA rms) | ESR*2 (mΩ max.) | | |
| GY | 2.0 | 820 | 7.3 | 4.3 | 2.8 | 10200 | 3 | EEFGY0D821R | 2000 |
| | 2.5 | 680 | 7.3 | 4.3 | 2.8 | 10200 | 3 | EEFGY0E681R | 2000 |

*1: Ripple current (100 kHz / +45 °C)

*2: ESR (100 kHz / +20 °C)

◆ Please refer to each page in this catarog for "Reflow conditions" and "Taping specifications".

Temperature coefficient of ripple current

| Temperature | T ≤ 45 °C | 45 °C < T ≤ 85 °C | 85 °C < T ≤ 105 °C |
|----------------------------|-----------|-------------------|--------------------|
| 2.0 V to 2.5 V Coefficient | 1.0 | 0.7 | 0.25 |

◆ Ripple current should be controlled so that surface temperature of capacitor does not exceed the category temperature.

Surface Mount Type

CY,SY series

[Guaranteed at 85 °C]



SP-Cap

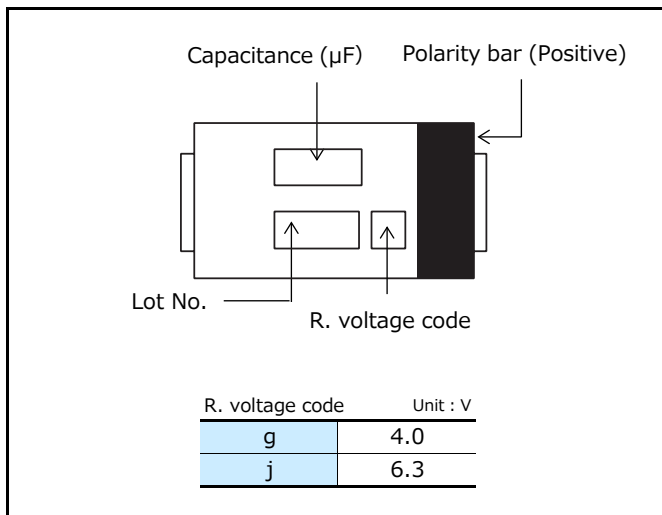
Features

- Endurance 85 °C 2000 h
- Product height (3.0 mm max.)
- High ripple current (5100 mA rms to 6300 mA rms max.)
- RoHS compliance, Halogen free

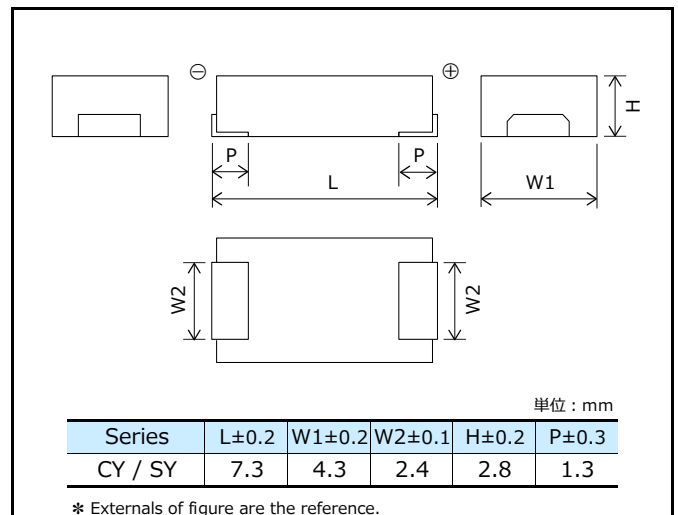
Specifications

| | | | |
|----------------------------|--|-----------------------------------|--------------|
| Series | CY / SY | | |
| Category temp. range | -55 °C to +85 °C | | |
| Rated voltage range | 4.0 V, 6.3V | | |
| Nominal cap. range | 330 μF to 470 μF | | |
| Capacitance tolerance | ±20 % (120 Hz / +20 °C) | | |
| DC leakage current | I ≤ 0.1 CV (μA) 2 minutes | | |
| Dissipation factor (tan δ) | ≤ 0.06 (120 Hz / + 20 °C) | | |
| Surge voltage (V) | Rated voltage × 1.25 (15 °C to 35 °C) | | |
| Endurance | +85 °C 2000 h, rated voltage applied | | |
| | Capacitance change | Within ±20 % of the initial value | |
| | Dissipation factor (tan δ) | ≤ 2 times of the initial limit | |
| | DC leakage current | ≤ 3 times of the initial limit | |
| Damp heat (Steady state) | +60 °C, 90 %, 500 h, No-applied voltage | | |
| | Capacitance change of initial measured value | 4.0 V | 6.3 V |
| | | +60 %, -20 % | +50 %, -20 % |
| | Dissipation factor (tan δ) | ≤ 2 times of the initial limit | |
| DC leakage current | Within the initial limit | | |

Marking



Dimensions (not to scale)



Characteristics list

| Series | Rated voltage (V) | Capacitance (μF) | Case size (mm) | | | Specification | | Part number | Min. Packaging Q'ty ^{*3} (pcs) |
|--------|-------------------|-------------------------------|----------------|-----|-----|---------------------------------------|--|-------------|---|
| | | | L | W | H | Ripple current ^{*1} (mA rms) | ESR ^{*2} ($\text{m}\Omega$ max.) | | |
| CY | 4.0 | 470 | 7.3 | 4.3 | 2.8 | 5100 | 15 | ECGCY0G471R | 2000 |
| | 6.3 | 330 | 7.3 | 4.3 | 2.8 | 5100 | 15 | ECGCY0J331R | 2000 |
| SY | 4.0 | 470 | 7.3 | 4.3 | 2.8 | 6300 | 9 | ECGSY0G471R | 2000 |
| | 6.3 | 330 | 7.3 | 4.3 | 2.8 | 6300 | 9 | ECGSY0J331R | 2000 |

*1: Ripple current (100 kHz / +45 °C)

*2: ESR (100 kHz / +20 °C)

*3: Please contact us when 500 pcs packing is necessary.

◆ Please refer to each page in this catalog for "Reflow conditions" and "Taping specifications".

Temperature coefficient of ripple current

| Temperature | | $T \leq 45\text{ }^\circ\text{C}$ | $45\text{ }^\circ\text{C} < T \leq 65\text{ }^\circ\text{C}$ | $65\text{ }^\circ\text{C} < T \leq 85\text{ }^\circ\text{C}$ |
|----------------|-------------|-----------------------------------|--|--|
| 4.0 V to 6.3 V | Coefficient | 1.0 | 0.7 | 0.25 |

◆ Ripple current should be controlled so that surface temperature of capacitor does not exceed the category temperature.

Surface Mount Type

HX series

[Guaranteed at 125 °C]



HX series part numbers rated 10 V.DC or above are Not Recommended For New Design.



SP-Cap

Features

- Endurance 125 °C 1000 h
- High voltage & Large capacitance (2.0 V / 560 μF to 25 V / 33 μF)
- Low ESR (4.5 mΩ max.)
- RoHS compliance, Halogen free

Specifications

| Series | HX | |
|----------------------------|--|--|
| Category temp. range | -55 °C to +125 °C | |
| Rated voltage range | 2.0 V to 2.5 V, 10 V to 25 V | |
| Category voltage range | 1.6 V to 2.0 V, 8.0 V to 20 V | |
| Nominal cap. range | 15 μF to 560 μF | |
| Capacitance tolerance | ±20 % (120 Hz / +20 °C) | |
| DC leakage current | I ≤ 0.1 CV(μA) [2.0 V to 2.5 V, 2 min], I ≤ 0.3 CV(μA) [10 V to 25 V, 2 min] | |
| Dissipation factor (tan δ) | ≤ 0.1 (120 Hz / +20 °C) | |
| Surge voltage (V) | Rated voltage × 1.25 [2.0 V to 16 V], × 1.15 [20 V to 25 V] (15 °C to 35 °C) | |
| Endurance | +125 °C 1000 h, category voltage applied | |
| | Capacitance change | Within ±20 % of the initial value |
| | Dissipation factor (tan δ) | ≤ 2 times of the initial limit |
| | DC leakage current | Within the initial limit |
| Damp heat (Steady state) | After storing for 500 hours at +60 °C, 90 % | |
| | Capacitance change of initial measured value | 2.0 V to 2.5 V : +70 %, -20 % 10 V to 25 V : +60 %, -20 % |
| | Dissipation factor (tan δ) | ≤ 2 times of the initial limit |
| | DC leakage current | Within the initial limit : 2.0 V to 2.5 V ≤ 3 times of the initial limit : 10 V to 25 V |

Marking

Capacitance (μF) Polarity bar (Positive)

Lot No. R. voltage code

| R. voltage code | | Unit : V | |
|-----------------|-----|----------|----|
| d | 2.0 | C | 16 |
| e | 2.5 | D | 20 |
| A | 10 | E | 25 |

Dimensions (not to scale)

| Series | L±0.2 | W1±0.2 | W2±0.1 | H±0.1 | P±0.3 |
|--------|-------|--------|--------|-------|-------|
| HX | 7.3 | 4.3 | 2.4 | 1.9 | 1.3 |

Unit : mm

* Externals of figure are the reference.

Characteristics list

■ **2.0 V to 2.5 V**

| Series | Rated voltage [105 °C] (V) | Category voltage [125 °C] (V) | Capacitance (μF) | Case size (mm) | | | Specification | | Part number | Min. Packaging Q'ty ^{*3} (pcs) |
|--------|----------------------------------|-------------------------------------|---------------------|----------------|-----|-----|--|--------------------------------|--------------|--|
| | | | | L | W | H | Ripple current ^{*1} (mA rms) | ESR ^{*2} (mΩ max.) | | |
| HX | 2.0 | 1.6 | 470 | 7.3 | 4.3 | 1.9 | 5100 | 15 | EEFHX0D471R | 3500 |
| | | | | 7.3 | 4.3 | 1.9 | 6300 | 9 | EEFHX0D471R9 | 3500 |
| | | | | 7.3 | 4.3 | 1.9 | 7500 | 6 | EEFHX0D471R6 | 3500 |
| | | | | 7.3 | 4.3 | 1.9 | 8500 | 4.5 | EEFHX0D471R4 | 3500 |
| | | | 560 | 7.3 | 4.3 | 1.9 | 5100 | 15 | EEFHX0D561R | 3500 |
| | | | | 7.3 | 4.3 | 1.9 | 8500 | 4.5 | EEFHX0D561R4 | 3500 |
| | 2.5 | 2.0 | 330 | 7.3 | 4.3 | 1.9 | 5100 | 15 | EEFHX0E331R | 3500 |
| | | | | 7.3 | 4.3 | 1.9 | 6300 | 9 | EEFHX0E331R9 | 3500 |
| | | | | 7.3 | 4.3 | 1.9 | 7500 | 6 | EEFHX0E331R6 | 3500 |
| | | | | 7.3 | 4.3 | 1.9 | 8500 | 4.5 | EEFHX0E331R4 | 3500 |
| | | | 470 | 7.3 | 4.3 | 1.9 | 5100 | 15 | EEFHX0E471R | 3500 |
| | | | | 7.3 | 4.3 | 1.9 | 6300 | 9 | EEFHX0E471R9 | 3500 |
| | | | | 7.3 | 4.3 | 1.9 | 7500 | 6 | EEFHX0E471R6 | 3500 |
| | | | | 7.3 | 4.3 | 1.9 | 8500 | 4.5 | EEFHX0E471R4 | 3500 |

■ **10 V to 25 V**

Not Recommended for New Design

| Series | Rated voltage [105 °C] (V) | Category voltage [125 °C] (V) | Capacitance (μF) | Case size (mm) | | | Specification | | Part number | Min. Packaging Q'ty ^{*3} (pcs) |
|--------|----------------------------------|-------------------------------------|---------------------|----------------|-----|-----|--|--------------------------------|-------------|--|
| | | | | L | W | H | Ripple current ^{*1} (mA rms) | ESR ^{*2} (mΩ max.) | | |
| HX | 10 | 8.0 | 47 | 7.3 | 4.3 | 1.9 | 3200 | 40 | EEFHX1A470R | 3500 |
| | | | 68 | 7.3 | 4.3 | 1.9 | 3200 | 40 | EEFHX1A680R | 3500 |
| | | | 100 | 7.3 | 4.3 | 1.9 | 3200 | 40 | EEFHX1A101R | 3500 |
| | 16 | 12.8 | 15 | 7.3 | 4.3 | 1.9 | 3200 | 40 | EEFHX1C150R | 3500 |
| | | | 22 | 7.3 | 4.3 | 1.9 | 3200 | 40 | EEFHX1C220R | 3500 |
| | | | 33 | 7.3 | 4.3 | 1.9 | 3200 | 40 | EEFHX1C330R | 3500 |
| | | | 47 | 7.3 | 4.3 | 1.9 | 3200 | 40 | EEFHX1C470R | 3500 |
| | | | 68 | 7.3 | 4.3 | 1.9 | 3200 | 40 | EEFHX1C680R | 3500 |
| | | | 20 | 16 | 22 | 7.3 | 4.3 | 1.9 | 3200 | 40 |
| | 33 | 7.3 | | | 4.3 | 1.9 | 3200 | 40 | EEFHX1D330R | 3500 |
| | 47 | 7.3 | | | 4.3 | 1.9 | 3200 | 40 | EEFHX1D470R | 3500 |
| | 56 | 7.3 | | | 4.3 | 1.9 | 3200 | 40 | EEFHX1D560R | 3500 |
| | 25 | 20 | 15 | 7.3 | 4.3 | 1.9 | 3200 | 40 | EEFHX1E150R | 3500 |
| | | | 22 | 7.3 | 4.3 | 1.9 | 3200 | 40 | EEFHX1E220R | 3500 |
| | | | 33 | 7.3 | 4.3 | 1.9 | 3200 | 40 | EEFHX1E330R | 3500 |

*1: Ripple current (100 kHz / +45 °C)

*2: ESR (100 kHz / +20 °C)

*3: Please contact us when 500 pcs packing is necessary.

◆ Please refer to each page in this catalog for "Reflow conditions" and "Taping specifications".

Temperature coefficient of ripple current

| Temperature | | T ≤ 45 °C | 45 °C < T ≤ 85 °C | 85 °C < T ≤ 105 °C | 105 °C < T ≤ 125 °C |
|----------------|-------------|-----------|-------------------|--------------------|---------------------|
| 2.0 V to 2.5 V | Coefficient | 1.0 | 0.7 | 0.25 | 0.25 |
| 10 V to 25 V | | 1.0 | 0.8 | 0.5 | 0.25 |

◆ Ripple current should be controlled so that surface temperature of capacitor does not exceed the category temperature.

CAUTION AND WARNING

1. The electronic components contained in this catalog are designed and produced for use in home electric appliances, office equipment, information equipment, communications equipment, and other general purpose electronic devices.
Before use of any of these components for equipment that requires a high degree of safety, such as medical instruments, aerospace equipment, disaster-prevention equipment, security equipment, vehicles (automobile, train, vessel), please be sure to contact our sales representative corporation.
2. When applying one of these components for equipment requiring a high degree of safety, no matter what sort of application it might be, be sure to install a protective circuit or redundancy arrangement to enhance the safety of your equipment. In addition, please carry out the safety test on your own responsibility.
3. When using our products, no matter what sort of equipment they might be used for, be sure to make a written agreement on the specifications with us in advance.
4. Technical information contained in this catalog is intended to convey examples of typical performances and or applications and is not intended to make any warranty with respect to the intellectual property rights or any other related rights of our company or any third parties nor grant any license under such rights.
5. In order to export products in this catalog, the exporter may be subject to the export license requirement under the Foreign Exchange and Foreign Trade Law of Japan.
6. No ozone-depleting substances (ODSs) under the Montreal Protocol are used in the manufacturing processes of Automotive & Industrial Systems Company, Panasonic Corporation.

● Please contact

● Factory

Device Solutions Business Division
Industrial Solutions Company

Panasonic[®]

1006 Kadoma, Kadoma City, Osaka 571-8506,
JAPAN

The information in this catalog is valid as of February 2020.