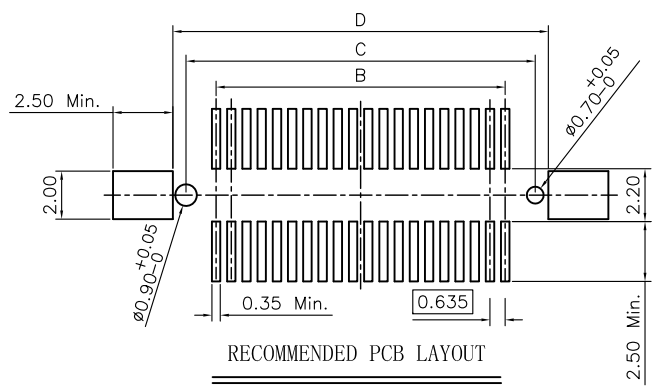
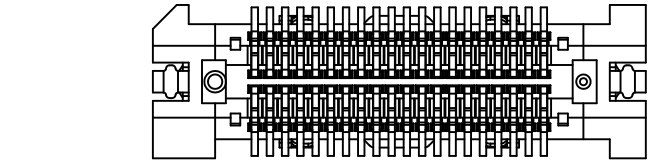
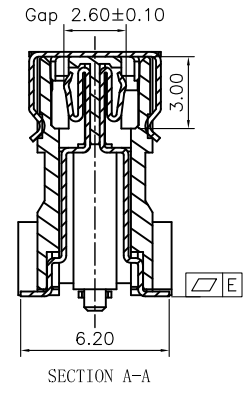
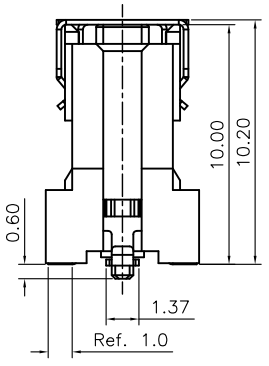
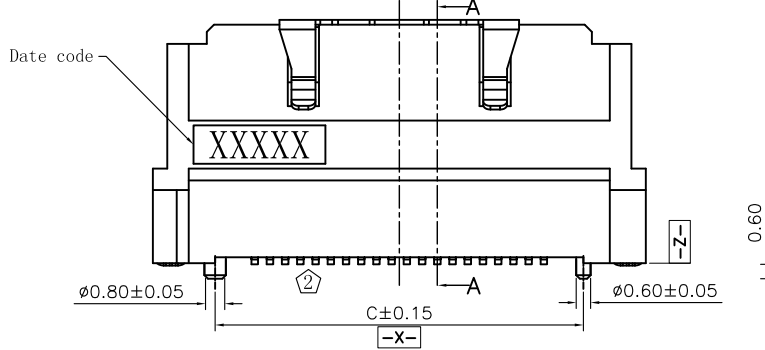
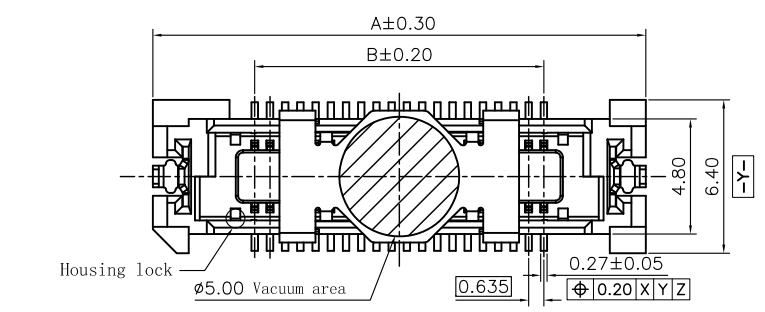


REV.	ECN Number	Description	Drawn
1	CS18040028	RELEASE	XPG_2018.04.18
②	E19070018	Cancel the grille	Peak_2019.07.13



RECOMMENDED PCB LAYOUT
TOLERANCE ± 0.05

- NOTES: (UNLESS OTHERWISE SPECIFIED)
- DIMENSION SHALL BE INTERPRETED PER ANSI Y14.5M-1994.
 - MATERIAL:
 - HOUSING MATERIAL: HIGH TEMPERATURE PLASTICS.
 - CONTACT & CLIP MATERIAL: COPPER ALLOY.
 - VACUUM COVER MATERIAL: STAINLESS STEEL.
 - ELECTRICAL SPECIFICATION:
 - CONTACT RESISTANCE: 50m ohms Max.
 - INSULATION RESISTANCE: 1000M ohms Min(250V).
 - CURRENT RATING: 0.5A.
 - DIELECTRIC WITHSTANDING VOLTAGE: 250V AC rms./minute
 - MECHANICAL SPECIFICATION:
 - DURABILITY: 50 CYCLES.
 - INSERTION FORCE: 70gf Max. PER PIN.
 - WITHDRAWAL FORCE: 12gf Min. PER PIN.
 - PRODUCT NUMBER MATRIX:

B A 3 2-40 A T-1 X -X X X

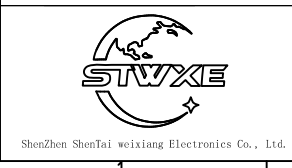
BTB
Series code
0.635 Pitch
Receptacle
PIN No.
40:40PIN

Height
A: H=10.00mm
Soldering Type
T:SMT
1:With Chamfer
Housing Color
Null:Nature
B:Black

Packing:
B:REEL+MPAD
Q:HOT SEALING REEL+MPAD
H:Halogen free
F:High temperature thermoplastic
Contact plating

Definition	Code
◎ Gold plated over all	
Flash B	1u" R 3u" C
5u" D	10u" E 15u" F
20u" G	25u" H 30u" J
◎ Duplex plated	
Flash K	1u" S 3u" L
5u" M	10u" N 15u" P
20u" Q	25u" T 30u" U
◎ All plated is lead free.	

OLD AND PART NO. COMPARISON								
OLD	NEW	CKT	DIM.A	DIM.B	DIM.C	DIM.D	DIM.E	HOUSING LOCK
AB32-40NB-H-001	BA32-40AT-1-NHB	40	20.57	12.065	15.37	16.97	0.10	YES
AB32-40NB-H-001-B	BA32-40AT-1B-NHB							



TOLERANCE UNLESS OTHERWISE SPECIFIED			
X.X	±0.30	X.°	±3°
X.XX	±0.20	X.X°	±2°
X.XXX		X.XX°	±1°

SCALE	1:1
UNIT	mm
SIZE	A4

ORIGINAL DRAWN: Peak
CHECK: Xu peiguang
APPROVE: Ady zhou

DATE 2019.07.13
DATE 2019.07.13
DATE 2019.07.13

DWG. NO. 600-0000-0363
PARTS NO. (INTENDED USE) BA32-40AT-1X-XXX

TITLE
BA32-40AT
CUSTOMER DRAWING

REV. 2
SHEET 1/1