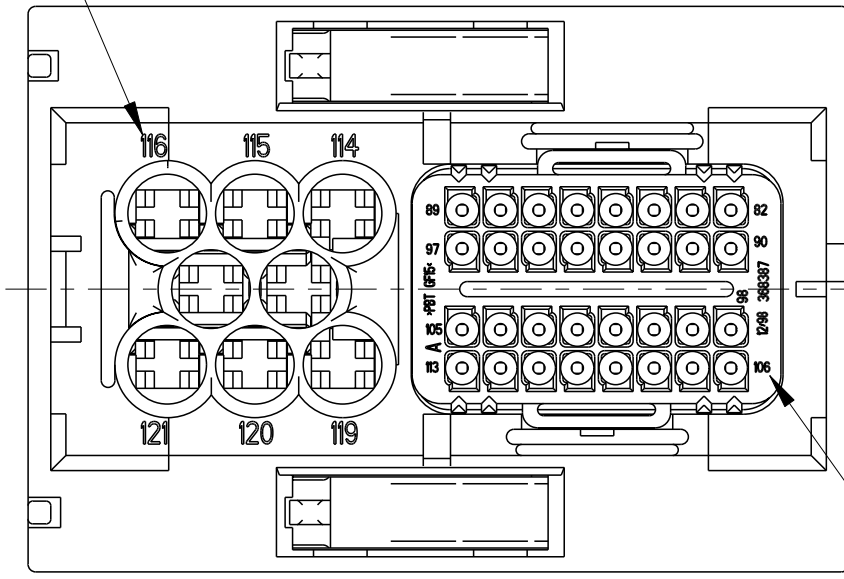


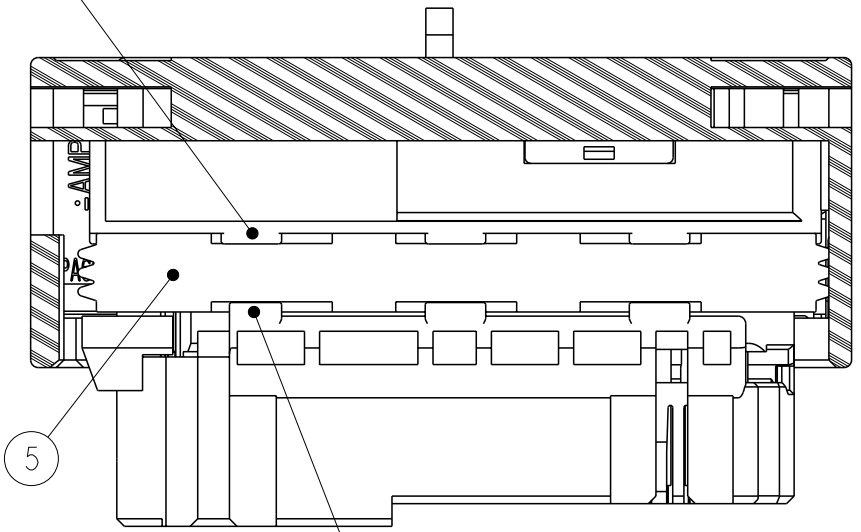
LOC		DWT		REVISIONS		
P	LTR	DESCRIPTION	DATE	DWN	APVD	
A2		REVISED PER ECO-11-005140	09APR2011	RK	HMR	
A3		REVISED ECR-18-012136	31JUL2018	TS	HY	

CIRCUIT NUMBER

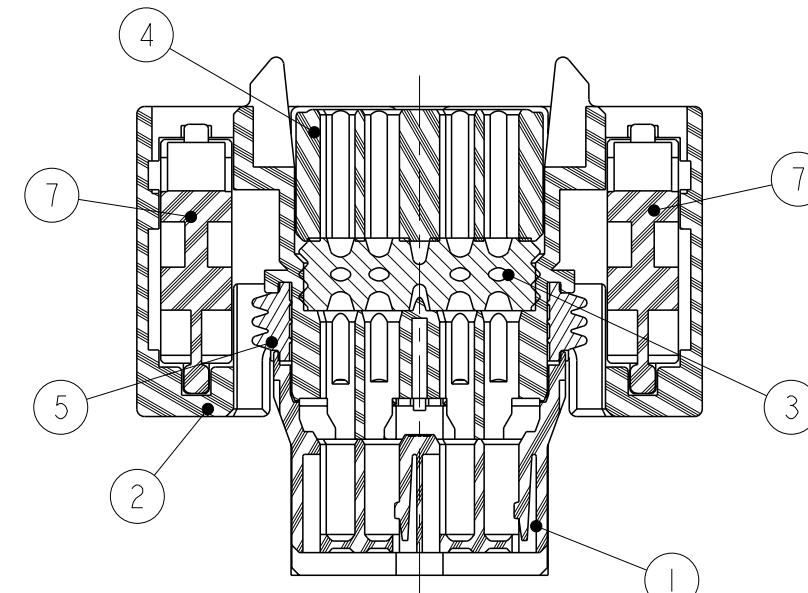
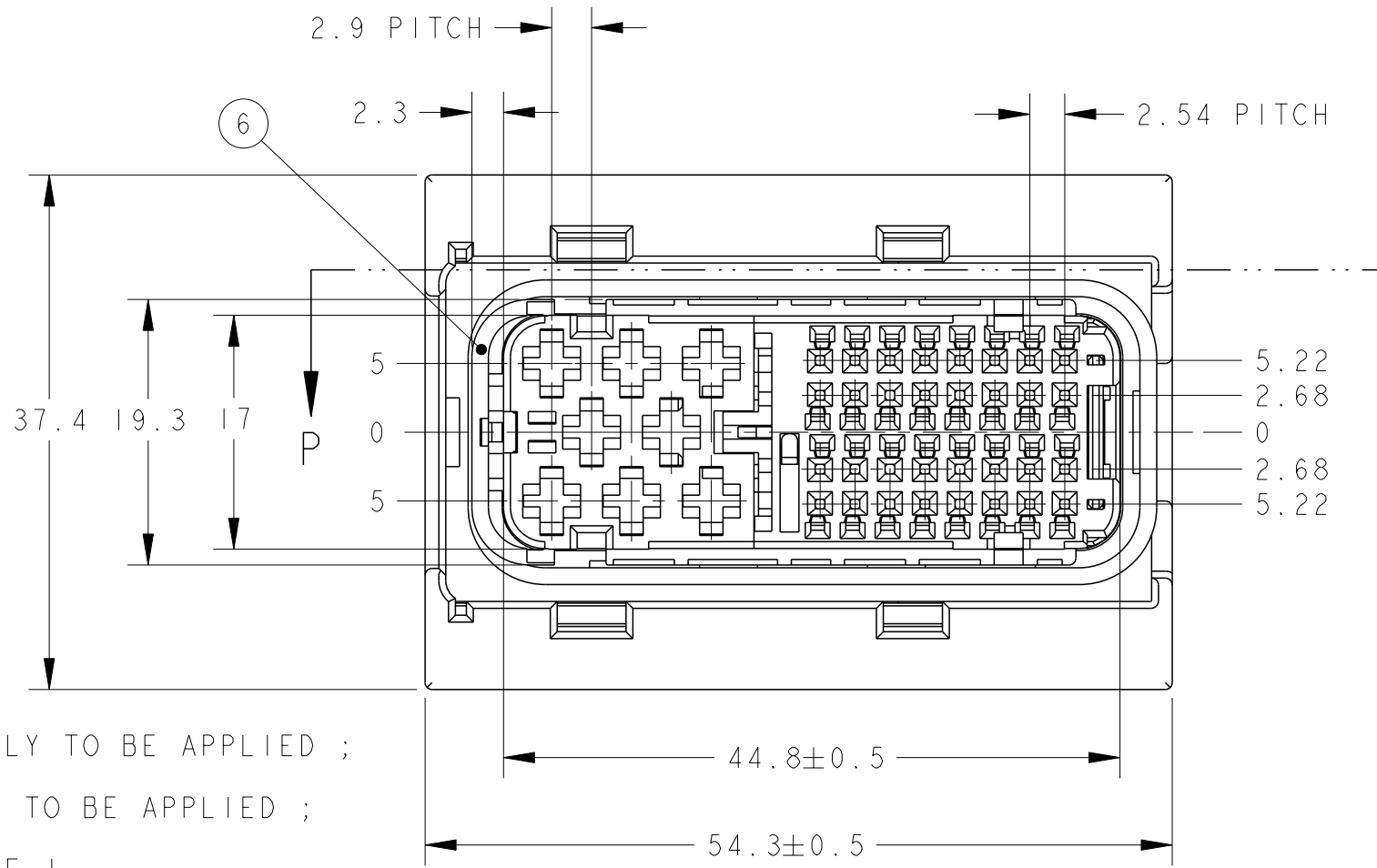
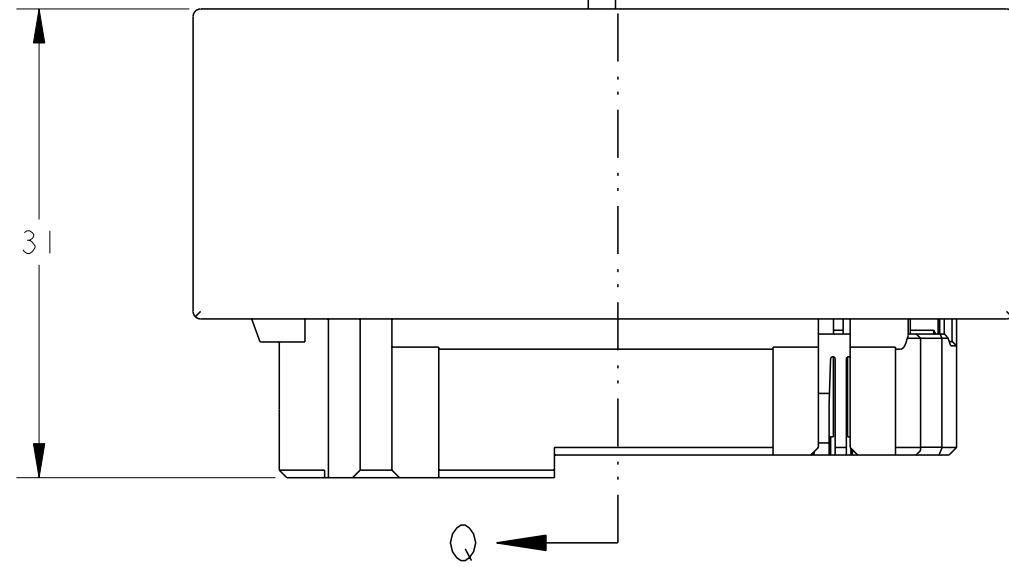
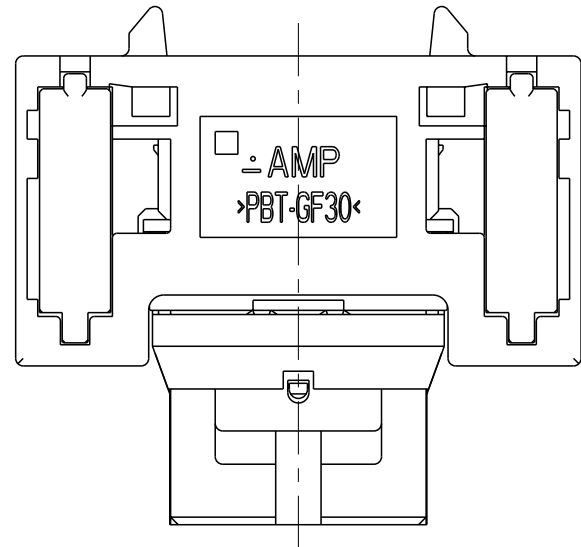
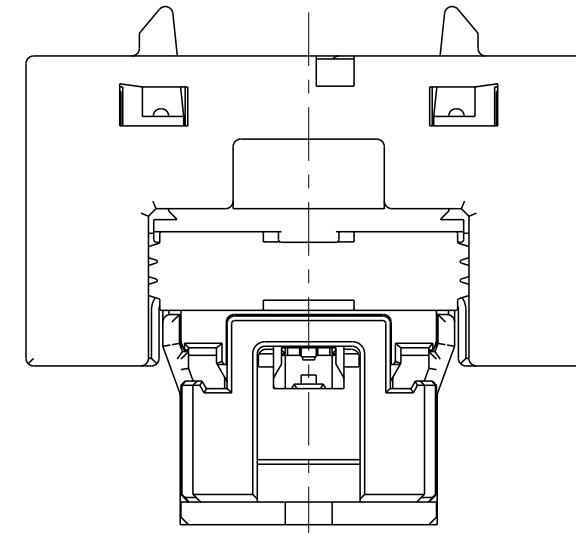


CIRCUIT NUMBER

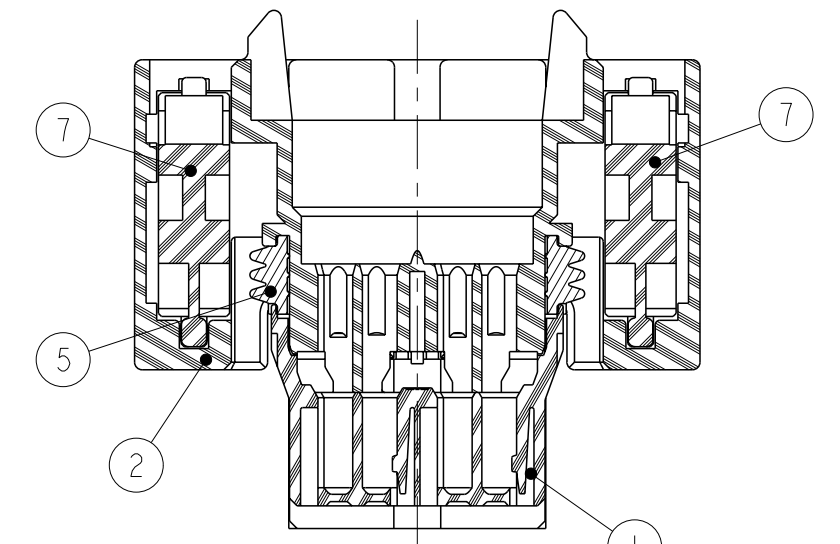
BOSS OF MAIN CAVITY BLOCK.
IT HOLD A PERIPHERAL SEAL.
(8PLC)



BOSS OF FRONT CAVITY BLOCK.
IT HOLD A PERIPHERAL SEAL.
(6PLC)



Q-Q 1473252-1



Q-Q 1473252-2

- PART NUMBER OF LEVER ASSEMBLY TO BE APPLIED ; P/N 1473255-1
- PART NUMBER OF MQS RETAINER TO BE APPLIED ; P/N 368388-1
- APPLIED TERMINAL ; SEE TABLE-1
- PART NUMBER OF CAP HOUSING TO BE MATED ; P/N 1241434-1
- INSTRUCTION SHEET NO ; 411-78008

- 適応レバーアセンブリ型番は、P/N 1473255-1
- 適応MQSリテーナ型番は、P/N 368388-1
- 適応端子はTABLE-1参照
- 嵌合相手型番は、P/N 1241434-1
- 取扱説明書 NO ; 411-78008

TABLE-1

CONTACT	MQS		JPT		
PART NUMBER	968220-1	968221-1	964282-2	964286-2	964273-2
WIRE SIZE (mm ²)	0.5	0.75	0.2~0.5	0.5~1.0	>1.0~2.5

2	2	PA66	SLIDER	BLACK	7
1	1	PBT	JPT RETAINER	YELLOW	6
1	1	SILICONE	PERIPHERAL SEAL	ORANGE	5
-	1	PBT	SEAL RETAINER	BLACK	4
-	1	SILICONE	32POS FAMILY SEAL	ORANGE	3
1	1	PBT	MAIN CAVITY BLOCK	BLACK	2
1	1	PA66	FRONT CAVITY BLOCK	BLACK	1
-2	-1	MATERIAL	PART NAME	FINISH/COLOR	NO

THIS DRAWING IS A CONTROLLED DOCUMENT.

DIMENSIONS: 単位: ㎜

TOLERANCES UNLESS OTHERWISE SPECIFIED:
 一般公差: ±0.3
 0-PLC ±0.5
 1-PLC ±0.5
 2-PLC ±0.13
 3-PLC ±0.013
 4-PLC ±0.0001
 ANGLES ±3°00'

MATERIAL 材料: SEE TABLE
 FINISH 仕上: SEE TABLE

DWN: Y. KAWAHARA 10OCT01
 CHK: N. SAI 10OCT01
 APVD: K. SHIMIZU 10OCT01

PRODUCT SPEC: 108-5793
 APPLICATION SPEC: 114-18021, 114-18036

WEIGHT: 32.2g

SCALE: 2:1
 SHEET: 1 OF 1
 REV: A3

RESTRICTED TO