

THIS DRAWING IS UNPUBLISHED. RELEASED FOR PUBLICATION
 © COPYRIGHT 2009 Tyco Electronics Japan G.K. ALL RIGHTS RESERVED.

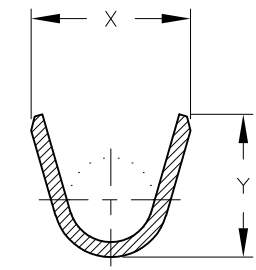
LOC J
 DIST -

REVISIONS					
P	LTR	DESCRIPTION	DATE	DWN	APVD
	G	REVISED PER ECR-15-011723	08AUG2015	Y.O	E.T

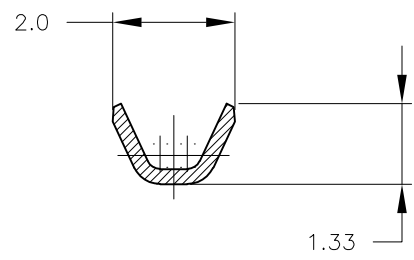
WIRE RANGE ID MARK
 S : 1318106-1
 S1 : 1-1318106-1 \triangle

CONTACT ID MARK

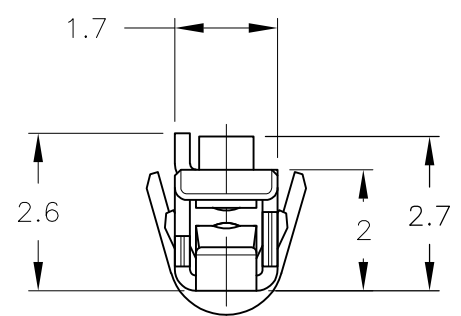
TOOLING ID MARK
 ON OUTER SURFACE



SECT B-B

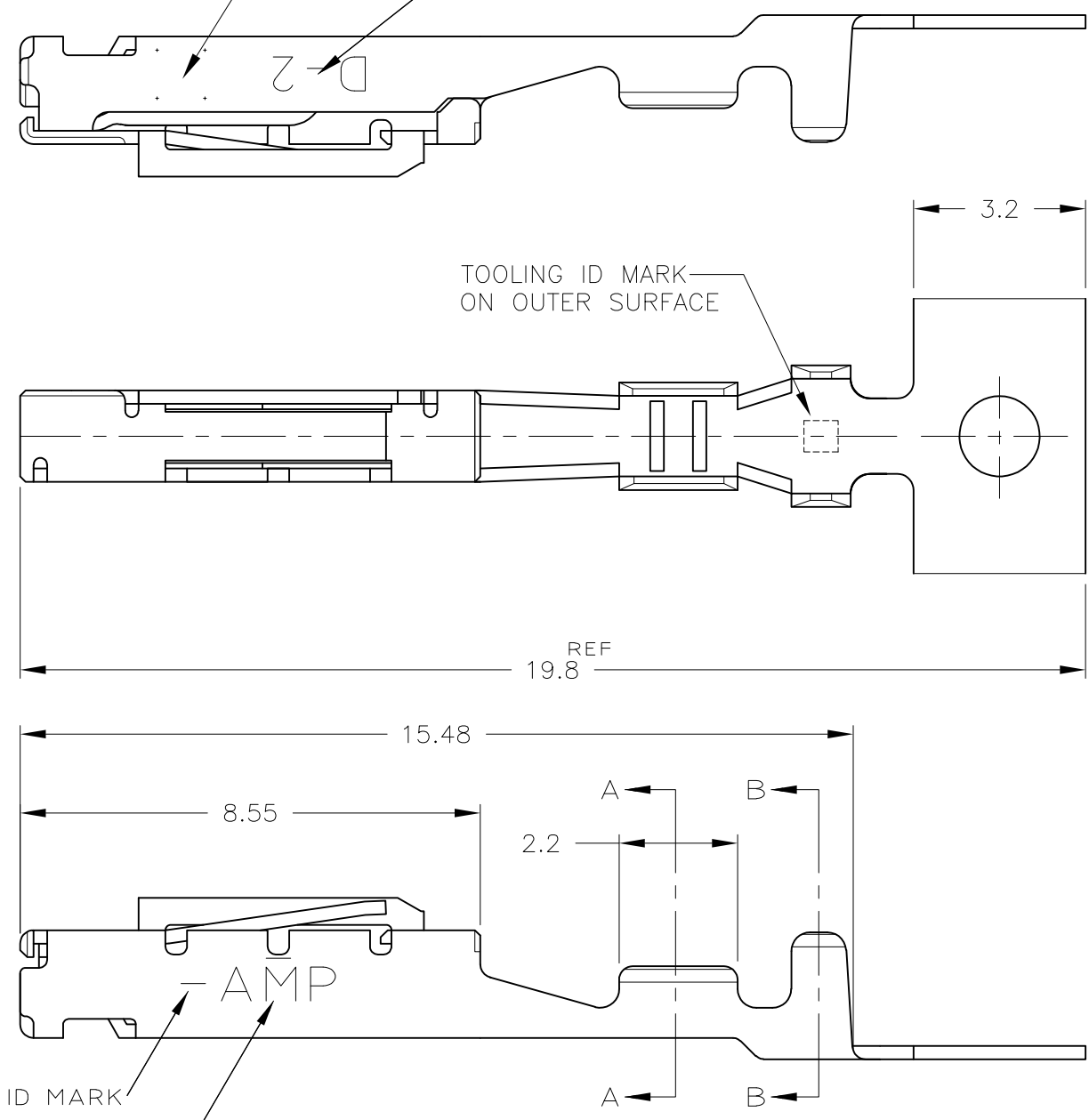


SECT A-A



TOOLING ID MARK

AMP MARK



- 1 . FINISH (CONTACT AREA) :
0.38 μ mMIN GOLD PLATING OVER NICKEL PLATING.
- \triangle . APPLICABLE WIRE FOR THIS CONTACT IS UL1051 ONLY.
(SEE 114-5258 AS DETAIL)

AWG #	WIRE RANGE	INSULATION DIA	Y	X	PART NO
AWG #24 \triangle	2.20~2.25		2.70	3.06	1-1318106-1
AWG #28~#24	0.88~1.50		2.36	2.63	1318106-1

THIS DRAWING IS A CONTROLLED DOCUMENT.		DWN K.IKEDA 07DEC1998	TE Connectivity DYNAMIC 2000 SERIES REC CONTACT S-SIZE				
DIMENSIONS: mm		CHK N.MATSUBARA 07DEC1998				NAME	
TOLERANCES UNLESS OTHERWISE SPECIFIED:		APVD I.HASEGAWA 07DEC1998				PRODUCT SPEC	
0 PLC ± 0.4 1 PLC ± 0.4 2 PLC ± 0.4 3 PLC ± 0.4 4 PLC ± 0.4 ANGLES $\pm 5^\circ$		APPLICATION SPEC				108-5619	
MATERIAL CUPPER ALLOY		FINISH SEE NOTE	WEIGHT	114-5258	RESTRICTED TO		
CUSTOMER DRAWING			SIZE A3	CAGE CODE 00779	DRAWING NO C-1318106		
			SCALE 8:1	SHEET 1 OF 1	REV G		