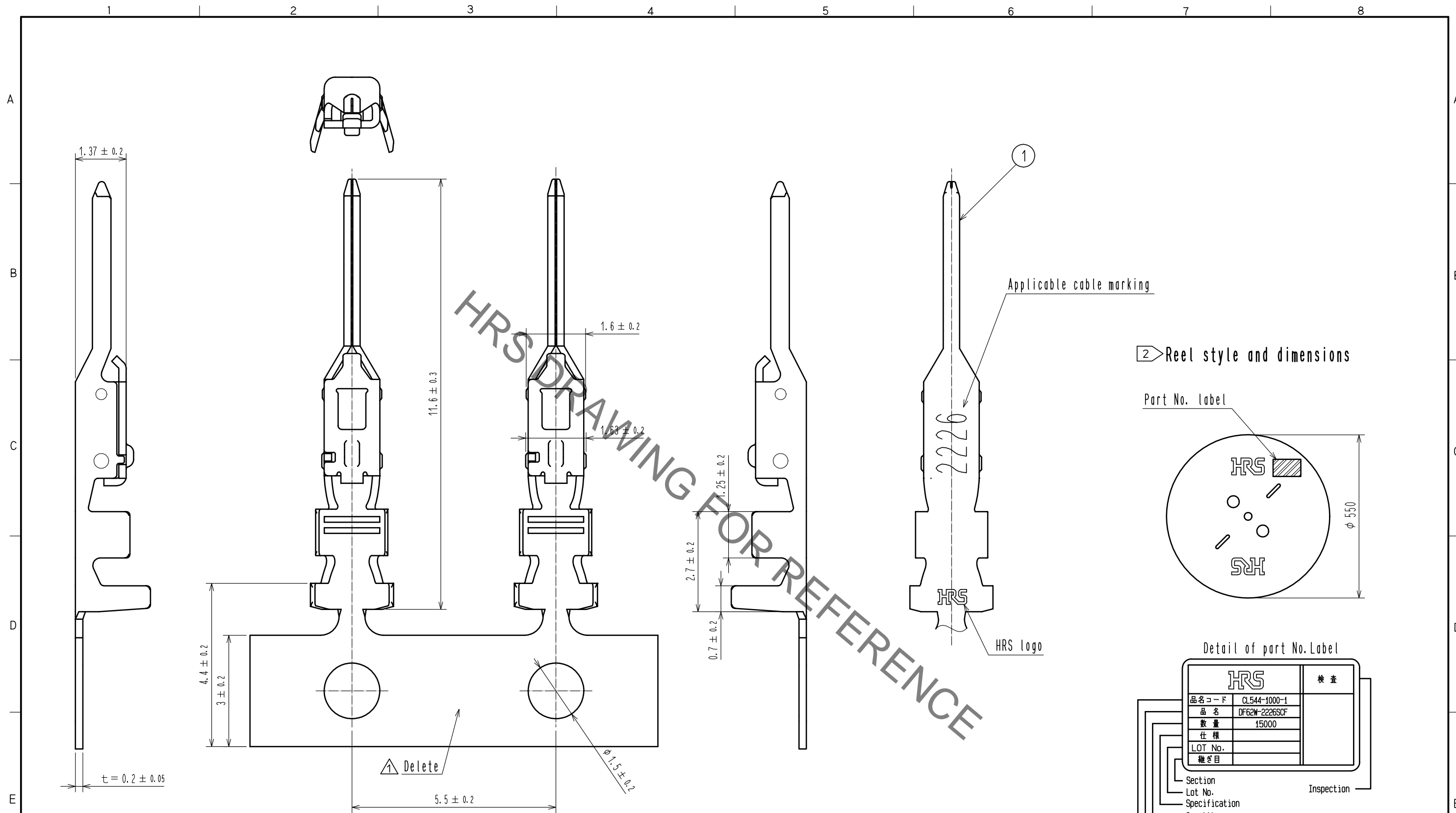


Mar.1.2020 Copyright 2020 HIROSE ELECTRIC CO., LTD. All Rights Reserved.
 In case of consideration for using Automotive equipment / device which demand high reliability, kindly contact our sales window correspondents.



- Notes
- 1RL : 15000 contacts.
 - Style of reel and box are shown in figure.
 - Up to 5 reels are packed up in one box.
 - Please be sure to check the form of crimping using a cable when you adjust applicator.
 - Always refer to the manuals below for operation of this product.
 For Cable assembly / Cable assembly procedure ETAD-H0760
 For Mating/Unmating / Operation manual ETAD-H0761

NO.	MATERIAL	FINISH . REMARKS	NO.	MATERIAL	FINISH . REMARKS
			1	Phosphor bronze	Tin plating : 1μm MIN
UNITS mm		SCALE 10 : 1	COUNT 1	DESCRIPTION OF REVISIONS DIS-H-00001435	DESIGNED YK. YAMAGUCHI
APPROVED : KI. AKIYAMA 14. 01. 15			CHECKED TS. FUKUSHIMA		
CHECKED : MN. KENJO 14. 01. 15			DATE 16. 03. 04		
DESIGNED : KT. ISHII 14. 01. 14			DRAWING NO. EDC-353516-00-00		
DRAWN : KT. ISHII 14. 01. 14			PART NO. DF62W-EP2226PCF		
HRS HIROSE ELECTRIC CO., LTD.			CODE NO. CL544-1001-4-00		