

## 5 kV LED EMULATOR INPUT, 4.0 A ISOLATED GATE DRIVERS

### Features

- Pin-compatible, drop-in upgrades for popular high speed opto-coupled gate drivers
- Low power diode emulator simplifies design-in process
- 0.6 and 4.0 Amp peak output drive current
- Rail-to-rail output voltage
- Performance and reliability advantages vs. opto-drivers
  - Resistant to temperature and age
  - 10x lower FIT rate for longer service life
  - 14x tighter part-to-part matching
  - Higher common-mode transient immunity: >50 kV/μs typical
- Robust protection features
  - Multiple UVLO ordering options (5, 8, and 12 V) with hysteresis
- 60 ns propagation delay, independent of input drive current
- Wide  $V_{DD}$  range: 6.5 to 30 V
- Up to 5000  $V_{RMS}$  isolation
- 10 kV surge withstand capability
- AEC-Q100 qualified
- Wide operating temperature range
  - -40 to +125 °C
- RoHS-compliant packages
  - SOIC-8 (Narrow body)
  - DIP8 (Gull-wing)
  - SDIP6 (Stretched SO-6)
- Automotive-grade OPNs available
  - AIAG compliant PPAP documentation support
  - IMDS and CAMDS listing support

### Applications

- IGBT/ MOSFET gate drives
- Industrial, HEV and renewable energy inverters
- AC, Brushless, and DC motor controls and drives
- Variable speed motor control in consumer white goods
- Isolated switch mode and UPS power supplies

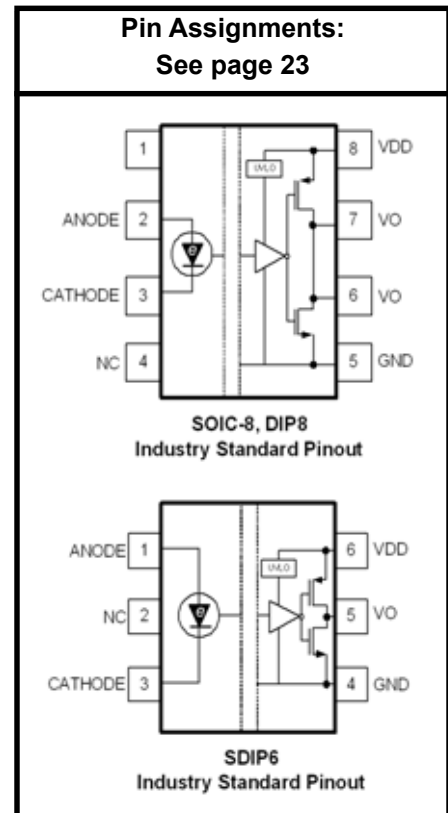
### Safety Regulatory Approvals

- UL 1577 recognized
  - Up to 5000  $V_{rms}$  for 1 minute
- CSA component notice 5A approval
  - IEC 60950-1, 60601-1 (reinforced insulation)
- VDE certification conformity
  - VDE0884-10 (basic/reinforced insulation)
- CQC certification approval
  - GB4943.1

### Description

The Si826x isolators are pin-compatible, drop-in upgrades for popular opto-coupled gate drivers, such as 0.6 A ACPL-0302/3020, 2.5 A HCPL-3120/ACPL-3130, HCNW3120/3130, and similar opto-drivers. The devices are ideal for driving power MOSFETs and IGBTs used in a wide variety of inverter and motor control applications. The Si826x isolated gate drivers utilize Silicon Laboratories' proprietary silicon isolation technology, supporting up to 5.0 kV<sub>RMS</sub> withstand voltage per UL1577 and 10kV surge protection per VDE 0884-10. This technology enables higher-performance, reduced variation with temperature and age, tighter part-to-part matching, and superior common-mode rejection compared to opto-coupled gate drivers. While the input circuit mimics the characteristics of an LED, less drive current is required, resulting in higher efficiency. Propagation delay time is independent of input drive current, resulting in consistently short propagation times, tighter unit-to-unit variation, and greater input circuit design flexibility. As a result, the Si826x series offers longer service life and dramatically higher reliability compared to opto-coupled gate drivers.

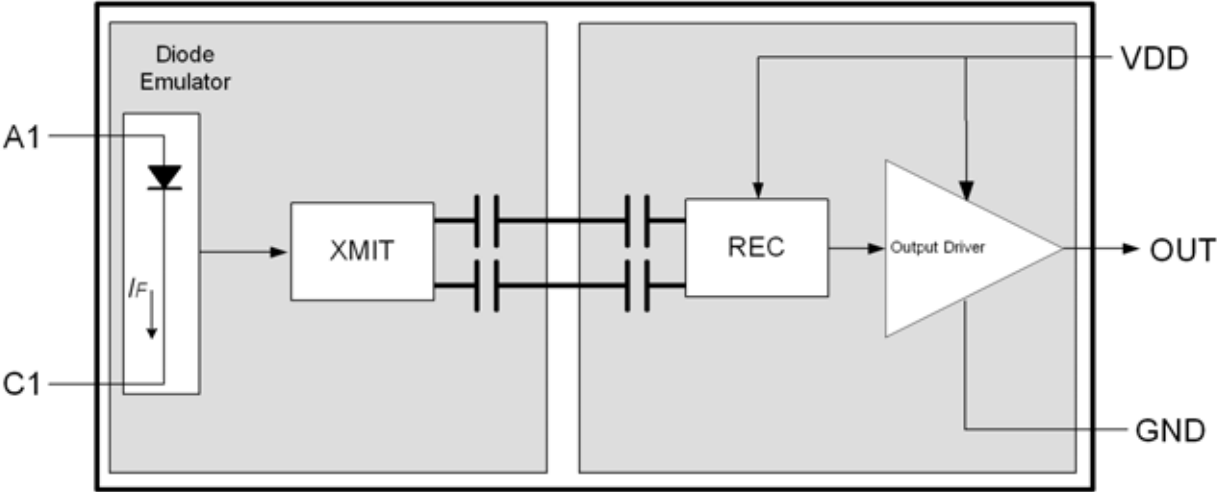
Automotive Grade is available for certain part numbers. These products are built using automotive-specific flows at all steps in the manufacturing process to ensure the robustness and low defectivity required for automotive applications.



Patent pending

# Si826x

## Functional Block Diagram



---

**TABLE OF CONTENTS**


---

<b><u>Section</u></b>	<b><u>Page</u></b>
<b>1. Electrical Specifications</b> .....	<b>4</b>
<b>2. Regulatory Information</b> .....	<b>9</b>
<b>3. Functional Description</b> .....	<b>15</b>
3.1. Theory of Operation .....	15
<b>4. Technical Description</b> .....	<b>16</b>
4.1. Device Behavior .....	16
4.2. Device Startup .....	16
4.3. Under Voltage Lockout (UVLO) .....	17
<b>5. Applications</b> .....	<b>18</b>
5.1. Input Circuit Design .....	18
5.2. Output Circuit Design .....	19
5.3. Layout Considerations .....	19
5.4. Power Dissipation Considerations .....	20
<b>6. Pin Descriptions (SOIC-8, DIP8)</b> .....	<b>22</b>
<b>7. Pin Descriptions (SDIP6)</b> .....	<b>23</b>
<b>8. Ordering Guide</b> .....	<b>24</b>
8.1. Automotive Grade OPNs .....	27
<b>9. Package Outline: 8-Pin Narrow Body SOIC</b> .....	<b>28</b>
<b>10. Land Pattern: 8-Pin Narrow Body SOIC</b> .....	<b>29</b>
<b>11. Package Outline: DIP8</b> .....	<b>30</b>
<b>12. Land Pattern: DIP8</b> .....	<b>31</b>
<b>13. Package Outline: SDIP6</b> .....	<b>32</b>
<b>14. Land Pattern: SDIP6</b> .....	<b>34</b>
<b>15. Top Markings</b> .....	<b>35</b>
15.1. Si826x Top Marking (Narrow Body SOIC) .....	35
15.2. Top Marking Explanation .....	35
15.3. Si826x Top Marking (DIP8) .....	36
15.4. Top Marking Explanation .....	36
15.5. Si826x Top Marking (SDIP6) .....	37
15.6. Top Marking Explanation .....	37
<b>Document Change List</b> .....	<b>38</b>

# Si826x

## 1. Electrical Specifications

**Table 1. Recommended Operating Conditions**

Parameter	Symbol	Min	Typ	Max	Unit
Supply Voltage	$V_{DD}$	6.5	—	30	V
Input Current	$I_{F(ON)}$ (see Figure 1)	6	—	30	mA
Operating Temperature (Ambient)	$T_A$	-40	—	125	°C

**Table 2. Electrical Characteristics <sup>1</sup>**

$V_{DD} = 15\text{ V or }30\text{ V}$ ,  $GND = 0\text{ V}$ ,  $I_F = 6\text{ mA}$ ,  $T_A = -40\text{ to }+125\text{ °C}$ ; typical specs at  $25\text{ °C}$ ;  $T_J = -40\text{ to }+140\text{ °C}$

Parameter	Symbol	Test Condition	Min	Typ	Max	Unit
<b>DC Parameters</b>						
Supply Voltage <sup>2</sup>	$V_{DD}$	$(V_{DD} - GND)$	6.5	—	30	V
Supply Current (Output High)	$I_{DD}$	$I_F = 10\text{ mA}$	—	1.8	2.4	mA
		$V_{DD} = 15\text{ V}$ $V_{DD} = 30\text{ V}$	—	2.0	2.7	mA
Supply Current (Output Low)	$I_{DD}$	$V_F = 0\text{ V}; I_F = 0\text{ mA}$	—	1.5	2.1	mA
		$V_{DD} = 15\text{ V}$ $V_{DD} = 30\text{ V}$	—	1.7	2.4	mA
Input Current Threshold	$I_{F(TH)}$		—	—	3.6	mA
Input Current Hysteresis	$I_{HYS}$		—	0.34	—	mA
Input Forward Voltage (OFF)	$V_{F(OFF)}$	Measured at ANODE with respect to CATHODE.	—	—	1	V
Input Forward Voltage (ON)	$V_{F(ON)}$	Measured at ANODE with respect to CATHODE.	1.6	—	2.8	V
Input Capacitance	$C_I$	$f = 100\text{ kHz}$ , $V_F = 0\text{ V}$ , $V_F = 2\text{ V}$	—	15	—	pF
Output Resistance High (Source) <sup>3</sup>	$R_{OH}$	Si826xAxx devices	—	15	—	Ω
		Si826xBxx devices ( $I_{OH} = -1\text{ A}$ )	—	2.6	5.1	
Output Resistance Low (Sink) <sup>3</sup>	$R_{OL}$	Si826xAxx devices	—	5	—	
		Si826xBxx devices ( $I_{OL} = 2\text{ A}$ )	—	0.8	2.0	

**Notes:**

1. See "8.Ordering Guide" on page 24 for more information.
2. Minimum value of  $(V_{DD} - GND)$  decoupling capacitor is  $1\text{ }\mu\text{F}$ .
3. Both  $V_O$  pins are required to be shorted together for 4.0 A compliance.
4. When performing this test, it is recommended that the DUT be soldered down to the PCB to reduce parasitic inductances, which may cause over-stress conditions due to excessive ringing.
5. Guaranteed by characterization.

**Table 2. Electrical Characteristics (Continued)<sup>1</sup>**

$V_{DD} = 15\text{ V or }30\text{ V}$ ,  $GND = 0\text{ V}$ ,  $I_F = 6\text{ mA}$ ,  $T_A = -40\text{ to }+125\text{ }^\circ\text{C}$ ; typical specs at  $25\text{ }^\circ\text{C}$ ;  $T_J = -40\text{ to }+140\text{ }^\circ\text{C}$

Parameter	Symbol	Test Condition	Min	Typ	Max	Unit
Output High Current (Source) <sup>3,4</sup>	$I_{OH}$	Si826xAxx devices ( $I_F = 0$ ), ( $t_{PW\_IOH} \leq 250\text{ ns}$ ) (see Figure 3)	—	0.4	—	A
		Si826xBxx devices ( $I_F = 0$ ), ( $t_{PW\_IOH} \leq 250\text{ ns}$ ), ( $V_{DD} - V_O = 7.5\text{ V}$ ) (see Figure 3)	0.5	1.8	—	
Output Low Current (Sink) <sup>3,4</sup>	$I_{OL}$	Si826xAxx devices ( $I_F = 10\text{ mA}$ ), ( $t_{PW\_IOL} \leq 250\text{ ns}$ ) (see Figure 2)	—	0.6	—	A
		Si826xBxx devices ( $I_F = 10\text{ mA}$ ), ( $t_{PW\_IOL} \leq 250\text{ ns}$ ), ( $V_O - GND = 4.2\text{ V}$ ) (see Figure 2)	1.2	4.0	—	
High-Level Output Voltage	$V_{OH}$	Si826xAxx devices ( $I_{OUT} = -100\text{ mA}$ )	—	$V_{DD} - 0.4$	—	V
		Si826xBxx devices ( $I_{OUT} = -100\text{ mA}$ )	$V_{DD} - 0.5$	$V_{DD} - 0.25$	—	
		Si826xBxx devices ( $I_{OUT} = 0\text{ mA}$ ), ( $I_F = 0\text{ mA}$ )	—	$V_{DD}$	—	
Low-Level Output Voltage	$V_{OL}$	Si826xAxx devices ( $I_{OUT} = 100\text{ mA}$ ), ( $I_F = 10\text{ mA}$ )	—	320	—	mV
		Si826xBxx devices ( $I_{OUT} = 100\text{ mA}$ ), ( $I_F = 10\text{ mA}$ )	—	80	200	
UVLO Threshold + (Si826xxAx mode)	$V_{DDUV+}$	See Figure 10 on page 17. $V_{DD}$ rising	5	5.6	6.3	V
UVLO Threshold – (Si826xxAx mode)	$V_{DDUV-}$	See Figure 10 on page 17. $V_{DD}$ falling	4.7	5.3	6.0	V

**Notes:**

1. See "8.Ordering Guide" on page 24 for more information.
2. Minimum value of ( $V_{DD} - GND$ ) decoupling capacitor is  $1\text{ }\mu\text{F}$ .
3. Both  $V_O$  pins are required to be shorted together for 4.0 A compliance.
4. When performing this test, it is recommended that the DUT be soldered down to the PCB to reduce parasitic inductances, which may cause over-stress conditions due to excessive ringing.
5. Guaranteed by characterization.

**Table 2. Electrical Characteristics (Continued)<sup>1</sup>**

$V_{DD} = 15\text{ V or }30\text{ V}$ ,  $GND = 0\text{ V}$ ,  $I_F = 6\text{ mA}$ ,  $T_A = -40\text{ to }+125\text{ }^\circ\text{C}$ ; typical specs at  $25\text{ }^\circ\text{C}$ ;  $T_J = -40\text{ to }+140\text{ }^\circ\text{C}$

Parameter	Symbol	Test Condition	Min	Typ	Max	Unit
UVLO lockout hysteresis (Si826xxAx mode)	$V_{DD_{HYS}}$		—	300	—	mV
UVLO Threshold + (Si826xxBx mode)	$V_{DD_{UV+}}$	See Figure 11 on page 17. $V_{DD}$ rising	7.5	8.4	9.4	V
UVLO Threshold – (Si826xxBx mode)	$V_{DD_{UV-}}$	See Figure 11 on page 17. $V_{DD}$ falling	6.9	7.9	8.9	V
UVLO lockout hysteresis (Si826xxBx mode)	$V_{DD_{HYS}}$		—	500	—	mV
UVLO Threshold + (Si826xxCx mode)	$V_{DD_{UV+}}$	See Figure 12 on page 17. $V_{DD}$ rising	10.5	12	13.5	V
UVLO Threshold – (Si826xxCx mode)	$V_{DD_{UV-}}$	See Figure 12 on page 17. $V_{DD}$ falling	9.4	10.7	12.2	V
UVLO lockout hysteresis (Si826xxCx mode)	$V_{DD_{HYS}}$		—	1.3	—	V
<b>AC Switching Parameters</b>						
Input noise filter cut-off pulse width	$t_{NFC}$		—	—	15	ns
Minimum pulse width	$t_{P_{MIN}}$		—	30	—	ns
Propagation delay (Low-to-High)	$t_{PLH}$	$C_L = 200\text{ pF}$	20	40	60	ns
Propagation delay (High-to-Low)	$t_{PHL}$	$C_L = 200\text{ pF}$	10	30	50	ns
Pulse Width Distortion	PWD	$ t_{PLH} - t_{PHL} $	—	17	28	ns
Propagation Delay Difference <sup>5</sup>	PDD	$t_{PHL_{MAX}} - t_{PLH_{MIN}}$	-1	—	25	ns
Rise time	$t_R$	$C_L = 200\text{ pF}$	—	5.5	15	ns
Fall time	$t_F$	$C_L = 200\text{ pF}$	—	8.5	20	ns
Device Startup Time	$t_{START}$		—	16	30	$\mu\text{s}$
Common Mode Transient Immunity	CMTI	Output = low or high ( $V_{CM} = 1500\text{ V}$ ), ( $I_F \geq 6\text{ mA}$ ) (See Figure 4)	35	50	—	$\text{kV}/\mu\text{s}$
<b>Notes:</b>						
<ol style="list-style-type: none"> <li>See "8.Ordering Guide" on page 24 for more information.</li> <li>Minimum value of (<math>V_{DD} - GND</math>) decoupling capacitor is <math>1\text{ }\mu\text{F}</math>.</li> <li>Both <math>V_O</math> pins are required to be shorted together for 4.0 A compliance.</li> <li>When performing this test, it is recommended that the DUT be soldered down to the PCB to reduce parasitic inductances, which may cause over-stress conditions due to excessive ringing.</li> <li>Guaranteed by characterization.</li> </ol>						

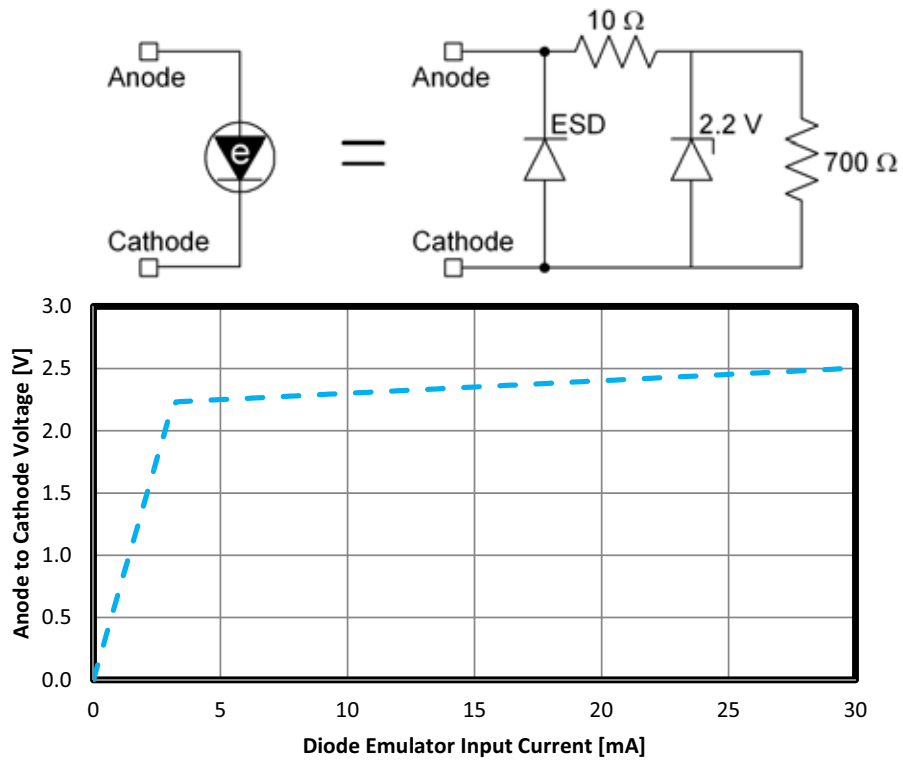


Figure 1. Diode Emulator Model and I-V Curve

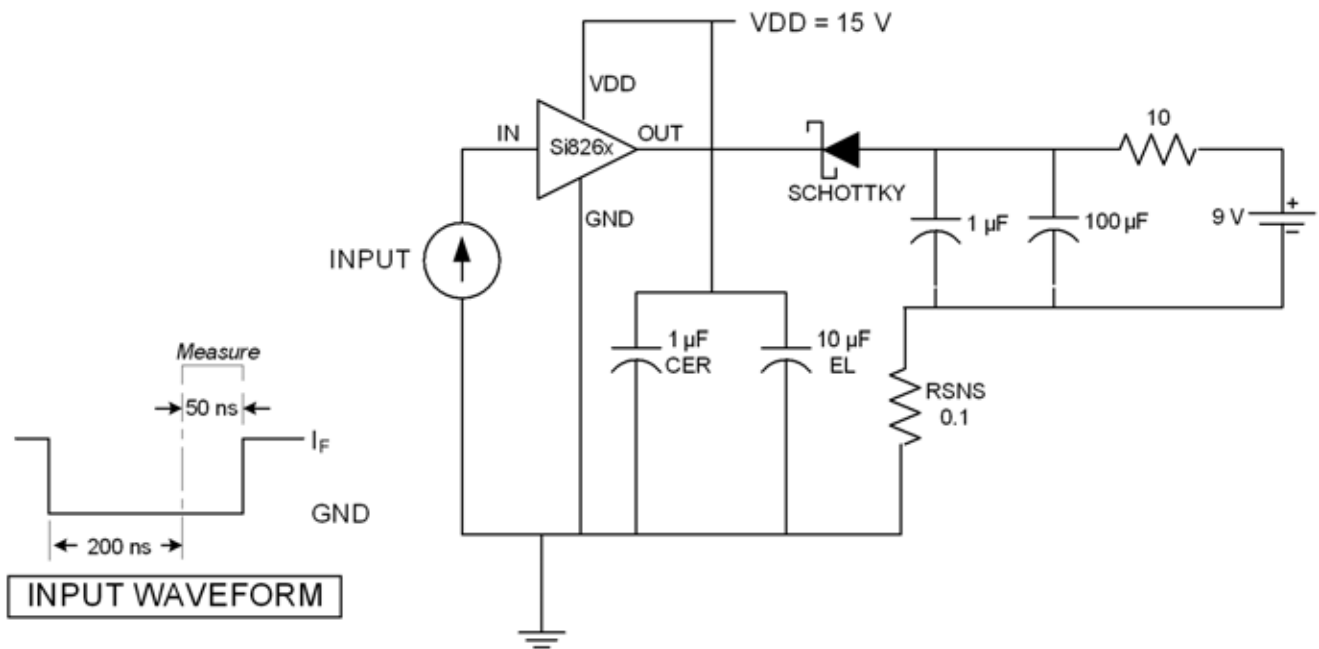


Figure 2. IOL Sink Current Test Circuit

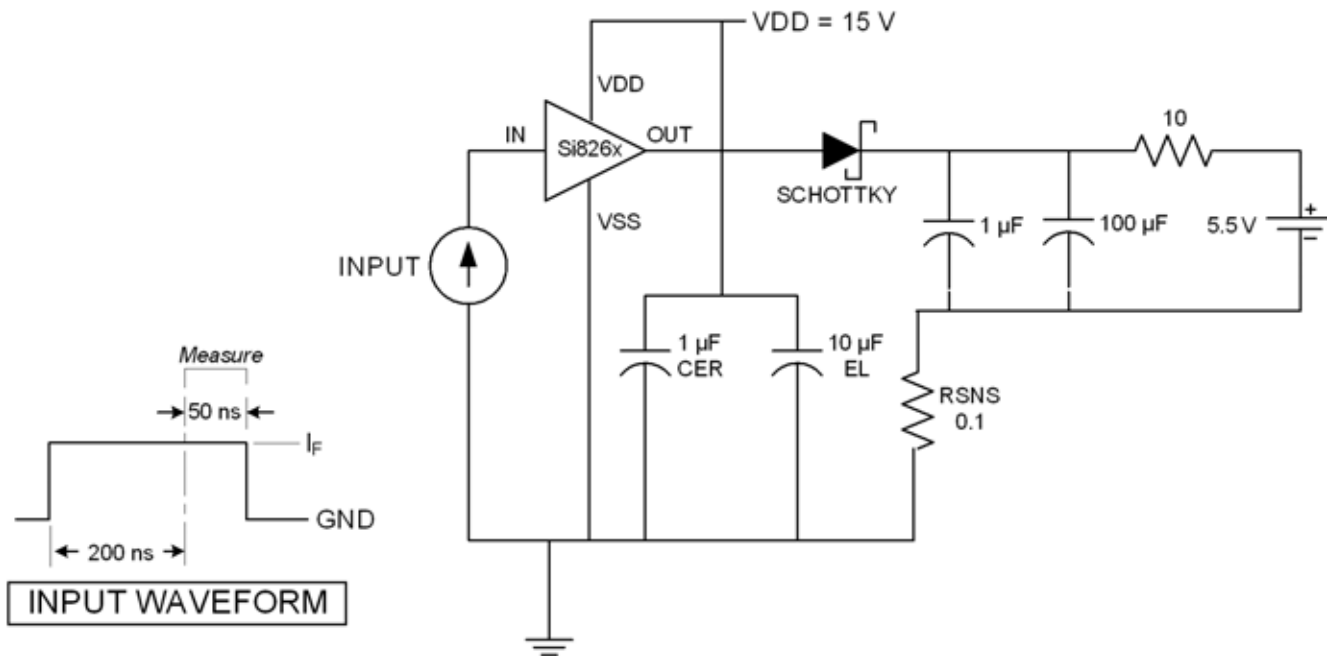


Figure 3. IOH Source Current Test Circuit

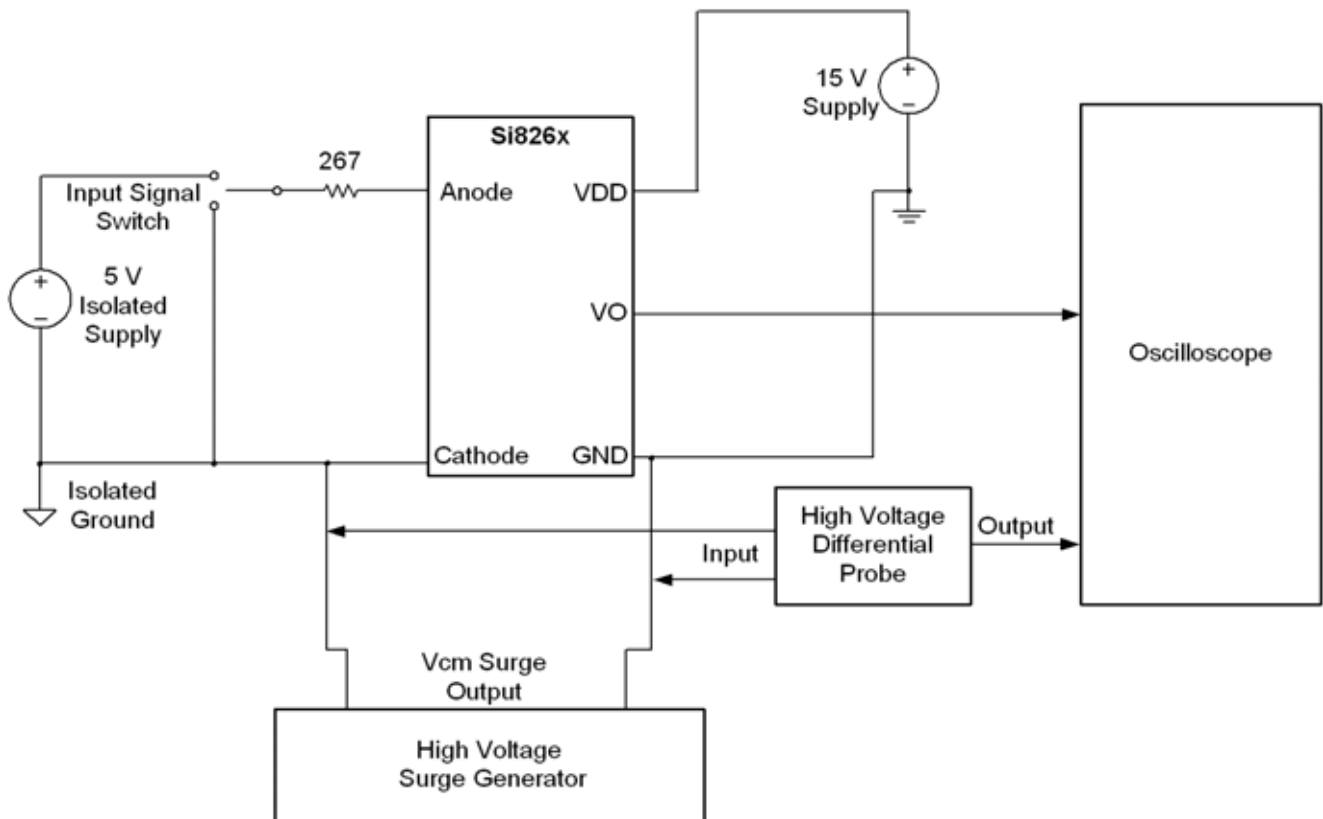


Figure 4. Common Mode Transient Immunity Characterization Circuit



## 2. Regulatory Information

**Table 3. Regulatory Information\***

<b>CSA</b>
The Si826x is certified under CSA Component Acceptance Notice 5A. For more details, see Master Contract Number 232873.
60950-1: Up to 1000 V <sub>RMS</sub> reinforced insulation working voltage; up to 1000 V <sub>RMS</sub> basic insulation working voltage.
60601-1: Up to 250 V <sub>RMS</sub> working voltage and 2 MOPP (Means of Patient Protection).
<b>VDE</b>
The Si826x is certified according to VDE0884-10. For more details, see certificate 40037519.
VDE0884 Part 10: Up to 1414 V <sub>peak</sub> for reinforced insulation working voltage.
<b>UL</b>
The Si826x is certified under UL1577 component recognition program. For more details, see File E257455.
Rated up to 5000 V <sub>RMS</sub> isolation voltage for basic protection.
<b>CQC</b>
The Si826x is certified under GB4943.1-2011. For more details, see certificates CQC15001121282 and CQC15001121283.
Rated up to 1000 V <sub>RMS</sub> reinforced insulation working voltage; up to 1000 V <sub>RMS</sub> basic insulation working voltage.
<b>*Note:</b> Regulatory Certifications apply to 3.75 kV <sub>RMS</sub> rated devices which are production tested to 4.5 kV <sub>RMS</sub> for 1 sec. Regulatory Certifications apply to 5.0 kV <sub>RMS</sub> rated devices which are production tested to 6.0 kV <sub>RMS</sub> for 1 sec. For more information, see "8.Ordering Guide" on page 24.

**Table 4. Insulation and Safety-Related Specifications**

Parameter	Symbol	Test Condition	Value			Unit
			SOIC-8	DIP8	SDIP6	
Nominal External Air Gap (Clearance)	CLR		4.7 min	7.2 min	9.6 min	mm
Nominal External Tracking (Creepage)	CPG		3.9 min	7.0 min	8.3 min	mm
Minimum Internal Gap (Internal Clearance)	DTI		0.016	0.016	0.016	mm
Tracking Resistance	CTI or PTI	IEC60112	600	600	600	V
Erosion Depth	ED		0.031	0.031	0.057	mm
Resistance (Input-Output)*	R <sub>IO</sub>		10 <sup>12</sup>	10 <sup>12</sup>	10 <sup>12</sup>	Ω
Capacitance (Input-Output)*	C <sub>IO</sub>	f = 1 MHz	1	1	1	pF
<b>*Note:</b> To determine resistance and capacitance, the Si826x is converted into a 2-terminal device. Pins 1–4 (1–3, SDIP6) are shorted together to form the first terminal, and pins 5–8 (4–6, SDIP6) are shorted together to form the second terminal. The parameters are then measured between these two terminals.						

**Table 5. IEC 60664-1 Ratings**

Parameter	Test Conditions	Specification		
		SOIC-8	DIP8	SDIP6
Basic Isolation Group	Material Group	I	I	I
Installation Classification	Rated Mains Voltages $\leq$ 150 V <sub>RMS</sub>	I-IV	I-IV	I-IV
	Rated Mains Voltages $\leq$ 300 V <sub>RMS</sub>	I-IV	I-IV	I-IV
	Rated Mains Voltages $\leq$ 450 V <sub>RMS</sub>	I-III	I-III	I-IV
	Rated Mains Voltages $\leq$ 600 V <sub>RMS</sub>	I-III	I-III	I-IV
	Rated Mains Voltages $\leq$ 1000 V <sub>RMS</sub>	I-II	I-II	I-III

**Table 6. VDE 0884-10 Insulation Characteristics\***

Parameter	Symbol	Test Condition	Characteristic			Unit
			SOIC-8	DIP8	SDIP6	
Maximum Working Insulation Voltage	V <sub>IORM</sub>		630	891	1140	V peak
Input to Output Test Voltage	V <sub>PR</sub>	Method b1 (V <sub>IORM</sub> x 1.875 = V <sub>PR</sub> , 100% Production Test, t <sub>m</sub> = 1 sec, Partial Discharge < 5 pC)	1181	1671	2138	V peak
Transient Overvoltage	V <sub>IOTM</sub>	t = 60 sec	6000	6000	8000	V peak
Surge Voltage	V <sub>IOSM</sub>	Tested per IEC 60065 with surge voltage of 1.2 $\mu$ s/50 $\mu$ s Si826x tested with magnitude 6250 V x 1.6 = 10 kV	6250	6250	6250	V peak
Pollution Degree (DIN VDE 0110, Table 1)			2	2	2	
Insulation Resistance at T <sub>S</sub> , V <sub>IO</sub> = 500 V	R <sub>S</sub>		>10 <sup>9</sup>	>10 <sup>9</sup>	>10 <sup>9</sup>	$\Omega$

**\*Note:** This isolator is suitable for reinforced electrical isolation only within the safety limit data. Maintenance of the safety data is ensured by protective circuits. The Si826x provides a climate classification of 40/125/21.

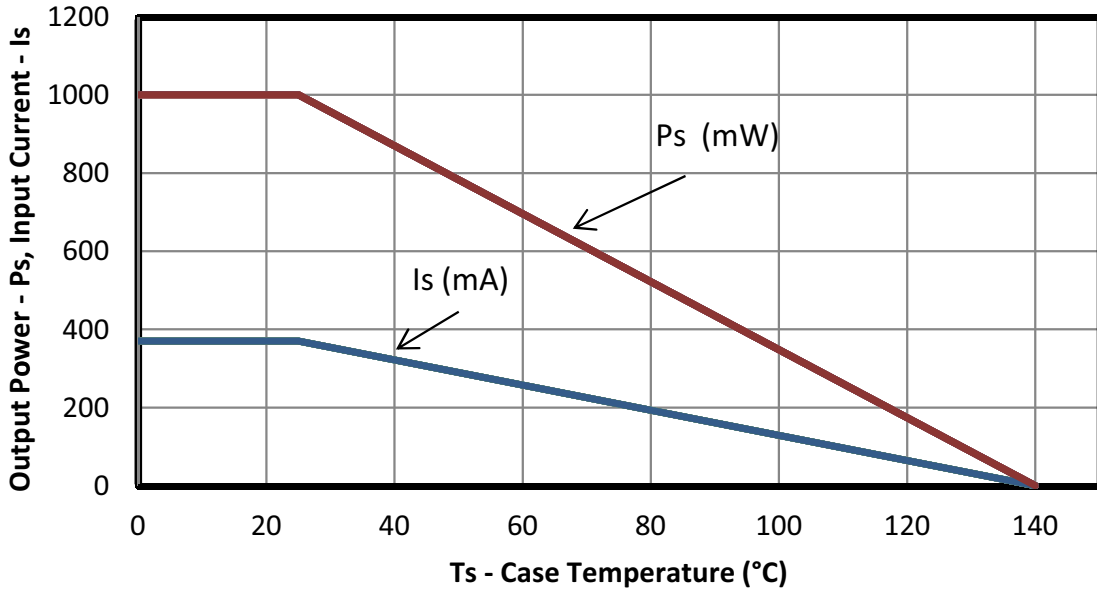
Table 7. IEC Safety Limiting Values\*

Parameter	Symbol	Test Condition	Max			Unit
			SOIC-8	DIP8	SDIP6	
Case Temperature	$T_S$		140	140	140	°C
Input Current	$I_S$	$\theta_{JA} = 110\text{ °C/W (SOIC-8)}$ , $110\text{ °C/W (DIP8)}$ , $105\text{ °C/W (SDIP6)}$ , $V_F = 2.8\text{ V}$ , $T_J = 140\text{ °C}$ , $T_A = 25\text{ °C}$	370	370	390	mA
Output Power	$P_S$		1	1	1	W

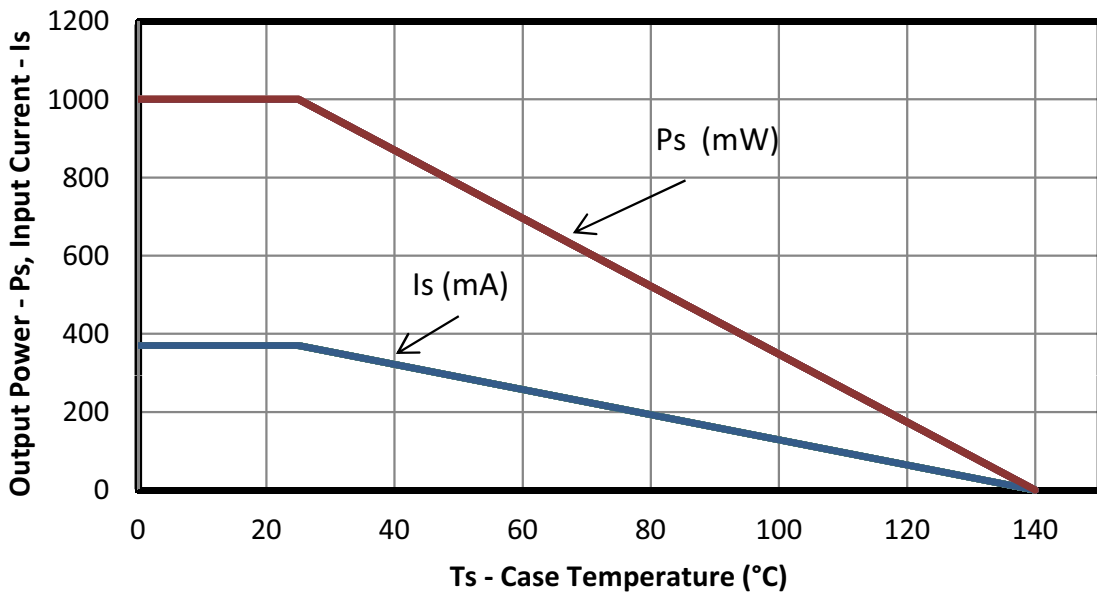
**\*Note:** Maximum value allowed in the event of a failure; also see the thermal derating curve in Figures 5, 6, 7, and 8.

**Table 8. Thermal Characteristics**

Parameter	Symbol	Typ			Unit
		SOIC-8	DIP8	SDIP6	
IC Junction-to-Air Thermal Resistance	$\theta_{JA}$	110	110	105	$^{\circ}\text{C}/\text{W}$



**Figure 5. (SOIC-8) Thermal Derating Curve, Dependence of Safety Limiting Values with Case Temperature per VDE0884-10**



**Figure 6. (DIP8) Thermal Derating Curve, Dependence of Safety Limiting Values with Case Temperature per VDE0884-10**

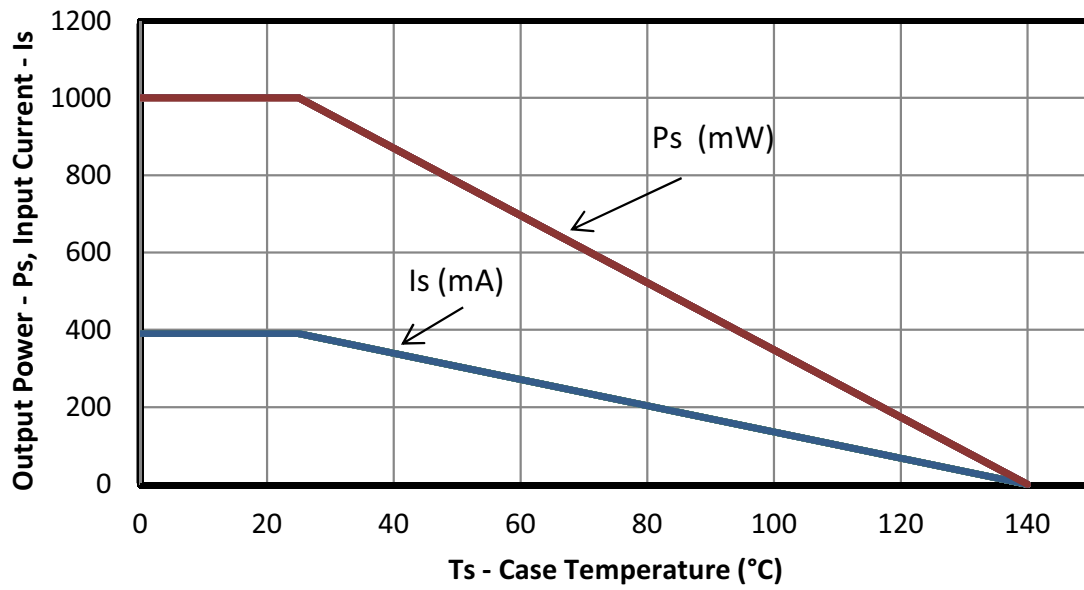


Figure 7. (SDIP6) Thermal Derating Curve, Dependence of Safety Limiting Values with Case Temperature per VDE0884-10

**Table 9. Absolute Maximum Ratings\***

Parameter	Symbol	Min	Max	Unit
Storage Temperature	$T_{STG}$	-65	+150	°C
Operating Temperature	$T_A$	-40	+125	°C
Junction Temperature	$T_J$	—	+140	°C
Average Forward Input Current	$I_{F(AVG)}$	—	30	mA
Peak Transient Input Current ( $< 1 \mu s$ pulse width, 300 ps)	$I_{FTR}$	—	1	A
Reverse Input Voltage	$V_R$	—	0.3	V
Supply Voltage	VDD	-0.5	36	V
Output Voltage	$V_{OUT}$	-0.5	36	V
Peak Output Current ( $t_{PW} = 10 \mu s$ , duty cycle = 0.2%) (0.6 Amp versions)	$I_{OPK}$	—	0.6	A
Peak Output Current ( $t_{PW} = 10 \mu s$ , duty cycle = 0.2%) (4.0 Amp versions)	$I_{OPK}$	—	4.0	A
Input Power Dissipation	$P_I$	—	75	mW
Output Power Dissipation	$P_O$	—	225	mW
Total Power Dissipation (all packages limited by thermal derating curve)	$P_T$	—	300	mW
Lead Solder Temperature (10 s)		—	260	°C
HBM Rating ESD		4	—	kV
Machine Model ESD		300	—	V
CDM		2000	—	V
Maximum Isolation Voltage (1 s) SOIC-8		—	4500	$V_{RMS}$
Maximum Isolation Voltage (1 s) DIP8		—	6500	$V_{RMS}$
Maximum Isolation Voltage (1 s) SDIP6		—	6500	$V_{RMS}$
<p><b>*Note:</b> Permanent device damage may occur if the absolute maximum ratings are exceeded. Functional operation should be restricted to the conditions specified in the operational sections of this data sheet.</p>				

### 3. Functional Description

#### 3.1. Theory of Operation

The Si826x is a functional upgrade for popular opto-isolated drivers, such as the Avago HPCL-3120, HPCL-0302, Toshiba TLP350, and others. The operation of an Si826x channel is analogous to that of an opto coupler, except an RF carrier is modulated instead of light. This simple architecture provides a robust isolated data path and requires no special considerations or initialization at start-up. The Si826x also includes a noise filter that suppresses propagation of any pulse narrower than 15 ns. A simplified block diagram for the Si826x is shown in Figure 8.

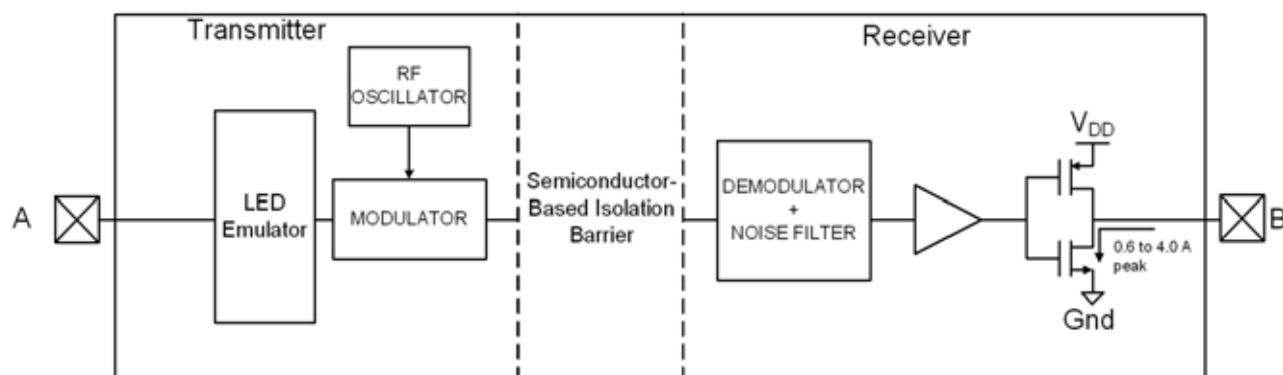


Figure 8. Simplified Channel Diagram

## 4. Technical Description

### 4.1. Device Behavior

Truth tables for the Si826x are summarized in Table 10.

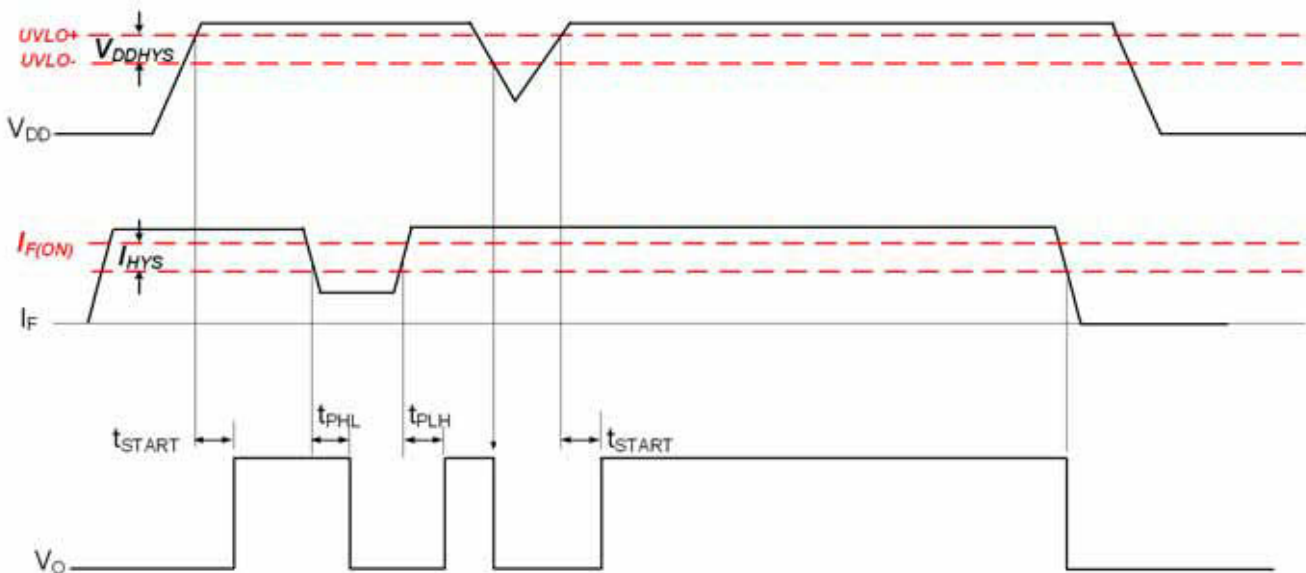
**Table 10. Si826x Truth Table Summary\***

Input	V <sub>DD</sub>	V <sub>O</sub>
OFF	> UVLO	LOW
OFF	< UVLO	LOW
ON	> UVLO	HIGH
ON	< UVLO	LOW

\*Note: This truth table assumes VDD is powered. If VDD is below UVLO, see "4.3.Under Voltage Lockout (UVLO)" on page 17 for more information.

### 4.2. Device Startup

Output V<sub>O</sub> is held low during power-up until V<sub>DD</sub> rises above the UVLO+ threshold for a minimum time period of t<sub>START</sub>. Following this, the output is high when the current flowing from anode to cathode is > I<sub>F(ON)</sub>. Device startup, normal operation, and shutdown behavior is shown in Figure 9.



**Figure 9. Si826x Operating Behavior (I<sub>F</sub> ≥ I<sub>F(MIN)</sub> when V<sub>F</sub> ≥ V<sub>F(MIN)</sub>)**



### 4.3. Under Voltage Lockout (UVLO)

The UVLO circuit unconditionally drives  $V_O$  low when  $V_{DD}$  is below the lockout threshold. Referring to Figures 10 through 12, upon power up, the Si826x is maintained in UVLO until  $V_{DD}$  rises above  $V_{DD_{UV+}}$ . During power down, the Si826x enters UVLO when  $V_{DD}$  falls below the UVLO threshold plus hysteresis (i.e.,  $V_{DD} \leq V_{DD_{UV+}} - V_{DD_{HYS}}$ ).

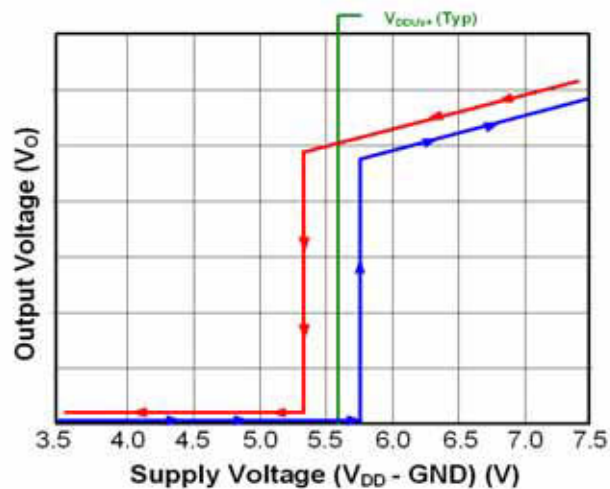


Figure 10. Si826xxAx UVLO Response (5 V)

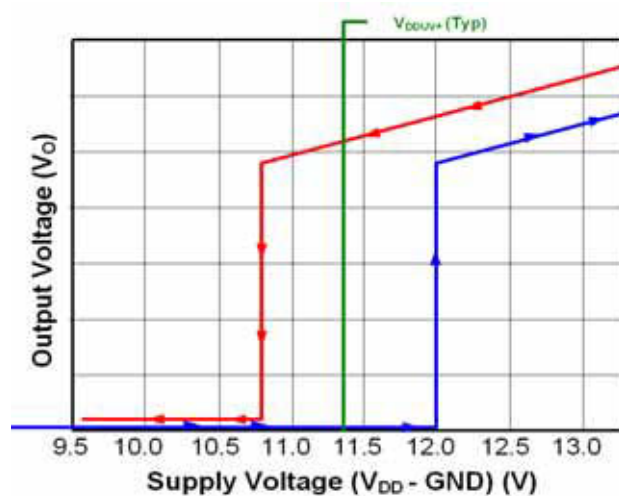


Figure 12. Si826xxCx UVLO Response (12 V)

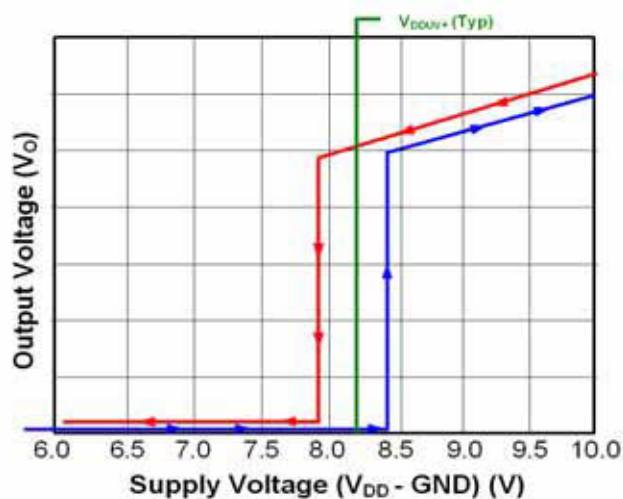


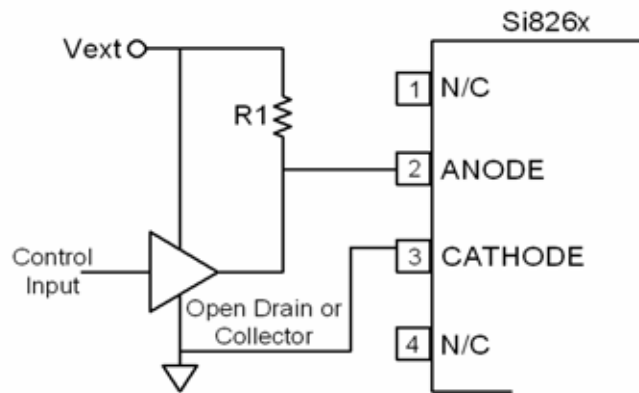
Figure 11. Si826xxBX UVLO Response (8 V)

## 5. Applications

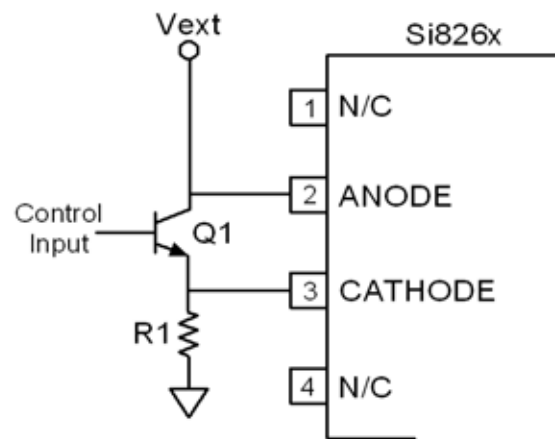
The following sections detail the input and output circuits necessary for proper operation. Power dissipation and layout considerations are also discussed.

### 5.1. Input Circuit Design

Opto driver manufacturers typically recommend the circuits shown in Figures 13 and 14. These circuits are specifically designed to improve opto-coupler input common-mode rejection and increase noise immunity.



**Figure 13. Si826x Input Circuit**



**Figure 14. High CMR Si826x Input Circuit**

The optically-coupled driver circuit of Figure 13 turns the LED on when the control input is high. However, internal capacitive coupling from the LED to the power and ground conductors can momentarily force the LED into its off state when the anode and cathode inputs are subjected to a high common-mode transient. The circuit shown in Figure 14 addresses this issue by using a value of R1 sufficiently low to overdrive the LED, ensuring it remains on during an input common-mode transient. Q1 shorts the LED off in the low output state, again increasing common-mode transient immunity.

Some opto driver applications recommend reverse-biasing the LED when the control input is off to prevent coupled noise from energizing the LED. The Si826x input circuit requires less current and has twice the off-state noise margin compared to opto couplers. However, high CMR opto coupler designs that overdrive the LED (see Figure 14) may require increasing the value of R1 to limit input current  $I_F$  to its maximum rating when using the Si826x. In addition, there is no benefit in driving the Si826x input diode into reverse bias when in the off state.

Consequently, opto coupler circuits using this technique should either leave the negative bias circuitry unpopulated or modify the circuitry (e.g., add a clamp diode or current limiting resistor) to ensure that the anode pin of the Si826x is no more than  $-0.3\text{ V}$  with respect to the cathode when reverse-biased.

New designs should consider the input circuit configurations of Figure 15, which are more efficient than those of Figures 13 and 14. As shown, S1 and S2 represent any suitable switch, such as a BJT or MOSFET, analog transmission gate, processor I/O, etc. Also, note that the Si826x input can be driven from the I/O port of any MCU or FPGA capable of sourcing a minimum of 6 mA (see Figure 15C). Additionally, note that the Si826x propagation delay and output drive do not significantly change for values of  $I_F$  between  $I_{F(\text{MIN})}$  and  $I_{F(\text{MAX})}$ .

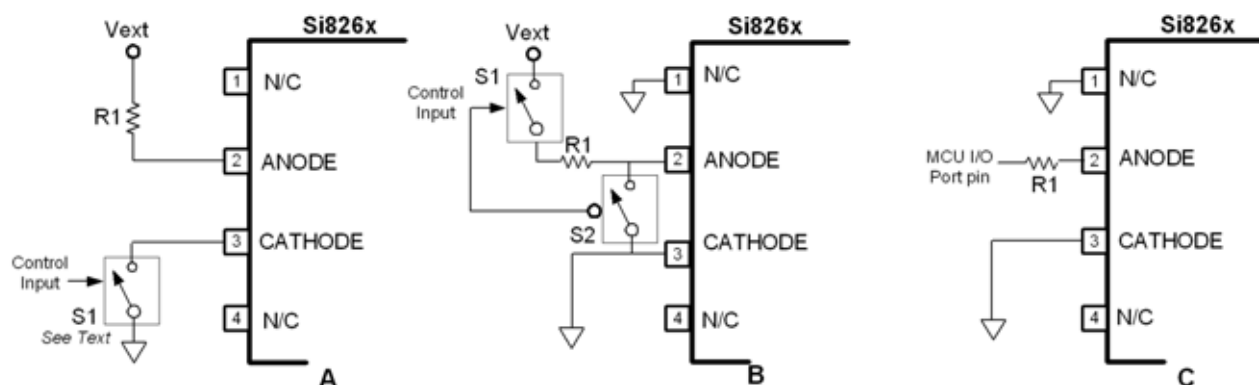


Figure 15. Si826x Other Input Circuit Configurations

## 5.2. Output Circuit Design

GND can be biased at, above, or below ground as long as the voltage on  $V_{DD}$  with respect to GND is a maximum of 30 V.  $V_{DD}$  decoupling capacitors should be placed as close to the package pins as possible. The optimum values for these capacitors depend on load current and the distance between the chip and its power source. It is recommended that 0.1 and 10  $\mu\text{F}$  bypass capacitors be used to reduce high-frequency noise and maximize performance.

## 5.3. Layout Considerations

It is most important to minimize ringing in the drive path and noise on the  $V_{DD}$  lines. Care must be taken to minimize parasitic inductance in these paths by locating the Si826x as close as possible to the device it is driving. In addition, the  $V_{DD}$  supply and ground trace paths must be kept short. For this reason, the use of power and ground planes is highly recommended. A split ground plane system having separate ground and  $V_{DD}$  planes for power devices and small signal components provides the best overall noise performance.

## 5.4. Power Dissipation Considerations

Proper system design must assure that the Si826x operates within safe thermal limits across the entire load range. The Si826x total power dissipation is the sum of the power dissipated by bias supply current, internal switching losses, and power delivered to the load, as shown in Equation 1.

$$P_D = I_F \times V_F \times DC + V_{DD} \times [I_{DDQ} + (Q_d + C_L \times V_{DD}) \times f]$$

where:  $P_D$  is the total device power dissipation (W)

$I_F$  is the diode current (30 mA max)

$V_F$  is the diode anode to cathode voltage (2.8 V max)

DC is duty cycle (0.5 typical)

$V_{DD}$  is the driver-side supply voltage (30 V max)

$I_{DDQ}$  is the driver maximum bias current (2.5 mA)

$Q_d$  is 3 nC

$C_L$  is the load capacitance

$f$  is the switching frequency (Hz)

### Equation 1.

The maximum allowable power dissipation for the Si826x is a function of the package thermal resistance, ambient temperature, and maximum allowable junction temperature, as shown in Equation 2.

$$P_{Dmax} \leq \frac{T_{jmax} - T_A}{\theta_{ja}}$$

where:

$P_{Dmax}$  is the maximum allowable power dissipation (W)

$T_{jmax}$  is the maximum junction temperature (140 °C)

$T_A$  is the ambient temperature (°C)

$\theta_{ja}$  is the package junction-to-air thermal resistance (110 °C/W)

### Equation 2.

Substituting values for  $P_{Dmax}$ ,  $T_{jmax}$ ,  $T_A$ , and  $\theta_{ja}$  into Equation 2 results in a maximum allowable total power dissipation of 1.0 W. Note that the maximum allowable load is found by substituting this limit and the appropriate datasheet values from Table 2 on page 4 into Equation 1 and simplifying. Graphs are shown in Figures 16 and 18. All points along the load lines in these graphs represent the package dissipation-limited value of  $C_L$  for the corresponding switching frequency.

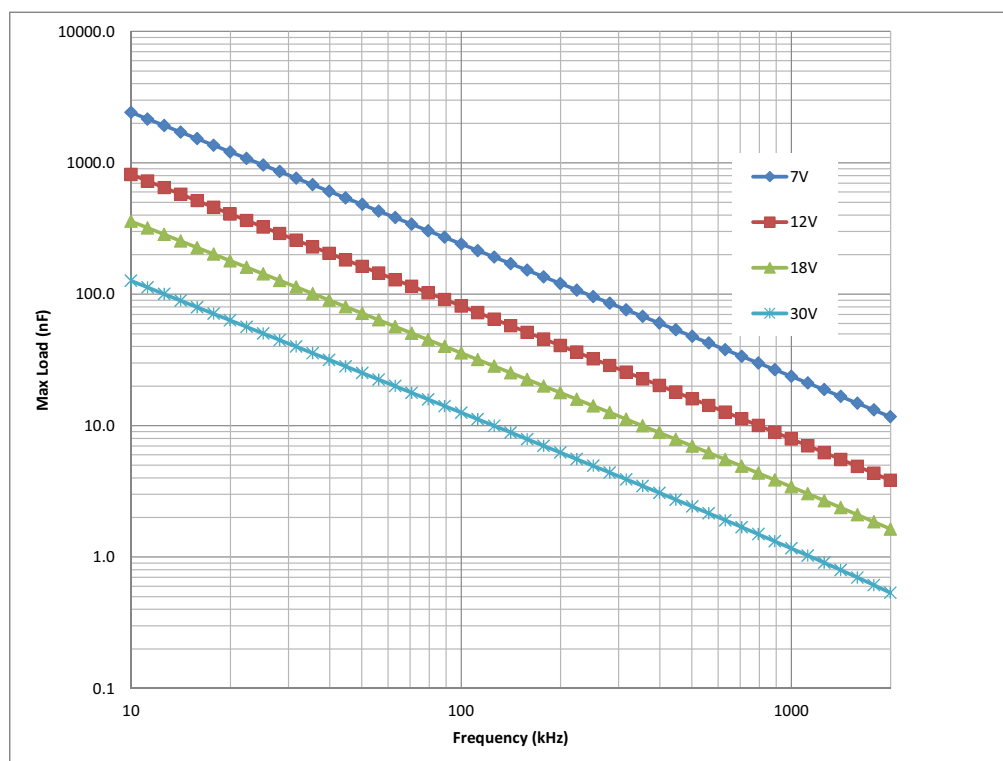
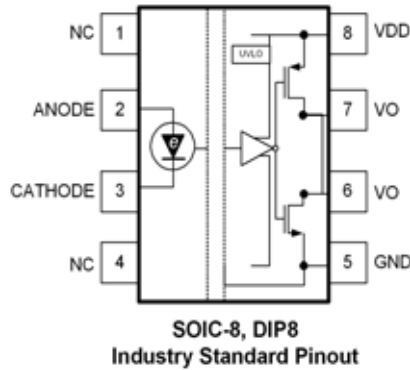


Figure 16. (SOIC-8, DIP8, SDIP6) Maximum Load vs. Switching Frequency (25 °C)

## 6. Pin Descriptions (SOIC-8, DIP8)



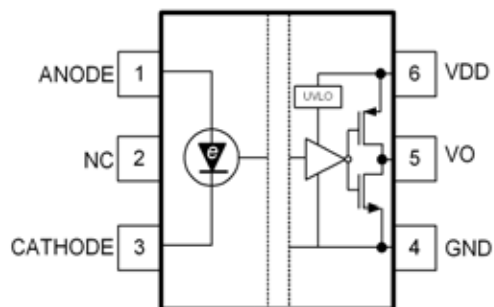
**Figure 17. Pin Configuration**

**Table 11. Pin Descriptions (SOIC-8, DIP8)**

Pin	Name	Description
1	NC*	No connect.
2	ANODE	Anode of LED emulator. $V_O$ follows the signal applied to this input with respect to the CATHODE input.
3	CATHODE	Cathode of LED emulator. $V_O$ follows the signal applied to ANODE with respect to this input.
4	NC*	No connect.
5	GND	External MOSFET source connection and ground reference for $V_{DD}$ . This terminal is typically connected to ground but may be tied to a negative or positive voltage.
6	$V_O$	Output signal. Both $V_O$ pins are required to be shorted together for 4.0 A compliance.
7	$V_O$	Output signal. Both $V_O$ pins are required to be shorted together for 4.0 A compliance.
8	$V_{DD}$	Output-side power supply input referenced to GND (30 V max).

**\*Note:** No Connect. These pins are not internally connected. To maximize CMTI performance, these pins should be connected to the ground plane.

## 7. Pin Descriptions (SDIP6)



SDIP6  
Industry Standard Pinout

Figure 18. Pin Configuration

Table 12. Pin Descriptions (SDIP6)

Pin	Name	Description
1	ANODE	Anode of LED emulator. $V_O$ follows the signal applied to this input with respect to the CATHODE input.
2	NC*	No connect.
3	CATHODE	Cathode of LED emulator. $V_O$ follows the signal applied to ANODE with respect to this input.
4	GND	External MOSFET source connection and ground reference for $V_{DD}$ . This terminal is typically connected to ground but may be tied to a negative or positive voltage.
5	$V_O$	Output signal.
6	$V_{DD}$	Output-side power supply input referenced to GND (30 V max).

**\*Note:** No Connect. These pins are not internally connected. To maximize CMTI performance, these pins should be connected to the ground plane.

## 8. Ordering Guide

Table 13. Si826x Ordering Guide<sup>1,2,3</sup>

New Ordering Part Number (OPN)	Ordering Options					
	Output Configuration	Cross Reference	UVLO Voltage	Insulation Rating	Temp Range	Pkg Type
Si8261AAC-C-IS	0.6 A driver	HCPL-0314	5 V	3.75 kVrms	–40 to +125 °C	SOIC-8
Si8261BAC-C-IS	4.0 A driver	—	5 V	3.75 kVrms	–40 to +125 °C	SOIC-8
Si8261AAC-C-IP	0.6 A driver	HCPL-3140	5 V	3.75 kVrms	–40 to +125 °C	DIP8/GW
Si8261BAC-C-IP	4.0 A driver	TLP 350 HCPL-3120	5 V	3.75 kVrms	–40 to +125 °C	DIP8/GW
Si8261AAD-C-IS	0.6 A driver	ACPL-W314	5 V	5.0 kVrms	–40 to +125 °C	SDIP6
Si8261BAD-C-IS	4.0 A driver	TLP 700F	5 V	5.0 kVrms	–40 to +125 °C	SDIP6

**Notes:**

1. All packages are RoHS-compliant with peak solder reflow temperatures of 260 °C according to the JEDEC industry standard classifications.
2. “Si” and “SI” are used interchangeably.
3. AEC-Q100 qualified.



Table 13. Si826x Ordering Guide<sup>1,2,3</sup>

New Ordering Part Number (OPN)	Ordering Options					
	Output Configuration	Cross Reference	UVLO Voltage	Insulation Rating	Temp Range	Pkg Type
Si8261ABC-C-IS	0.6 A driver	HCPL-0314	8 V	3.75 kVrms	–40 to +125 °C	SOIC-8
Si8261BBC-C-IS	4.0 A driver	—	8 V	3.75 kVrms	–40 to +125 °C	SOIC-8
Si8261ABC-C-IP	0.6 A driver	HCPL-3140	8 V	3.75 kVrms	–40 to +125 °C	DIP8/GW
Si8261BBC-C-IP	4.0 A driver	TLP 350 HCPL-3120	8 V	3.75 kVrms	–40 to +125 °C	DIP8/GW
Si8261ABD-C-IS	0.6 A driver	ACPL-W314	8 V	5.0 kVrms	–40 to +125 °C	SDIP6
Si8261BBD-C-IS	4.0 A driver	TLP 700F	8 V	5.0 kVrms	–40 to +125 °C	SDIP6

**Notes:**

1. All packages are RoHS-compliant with peak solder reflow temperatures of 260 °C according to the JEDEC industry standard classifications.
2. “Si” and “SI” are used interchangeably.
3. AEC-Q100 qualified.

**Table 13. Si826x Ordering Guide<sup>1,2,3</sup>**

New Ordering Part Number (OPN)	Ordering Options					
	Output Configuration	Cross Reference	UVLO Voltage	Insulation Rating	Temp Range	Pkg Type
Si8261ACC-C-IS	0.6 A driver	HCPL-0314	12 V	3.75 kVrms	–40 to +125 °C	SOIC-8
Si8261BCC-C-IS	4.0 A driver	—	12 V	3.75 kVrms	–40 to +125 °C	SOIC-8
Si8261ACC-C-IP	0.6 A driver	HCPL-3140	12 V	3.75 kVrms	–40 to +125 °C	DIP8/GW
Si8261BCC-C-IP	4.0 A driver	TLP 350 HCPL-3120	12 V	3.75 kVrms	–40 to +125 °C	DIP8/GW
Si8261ACD-C-IS	0.6 A driver	ACPL-W314	12 V	5.0 kVrms	–40 to +125 °C	SDIP6
Si8261BCD-C-IS	4.0 A driver	TLP 700F	12 V	5.0 kVrms	–40 to +125 °C	SDIP6

**Notes:**

1. All packages are RoHS-compliant with peak solder reflow temperatures of 260 °C according to the JEDEC industry standard classifications.
2. “Si” and “SI” are used interchangeably.
3. AEC-Q100 qualified.

## 8.1. Automotive Grade OPNs

Automotive-grade devices are built using automotive-specific flows at all steps in the manufacturing process to ensure robustness and low defectivity. These devices are supported with AIAG-compliant Production Part Approval Process (PPAP) documentation, and feature International Material Data System (IMDS) and China Automotive Material Data System (CAMDS) listing. Qualifications are compliant with AEC-Q100, and a zero-defect methodology is maintained throughout definition, design, evaluation, qualification, and mass production steps.

**Table 14. Si826x Ordering Guide<sup>1,2,3</sup>**

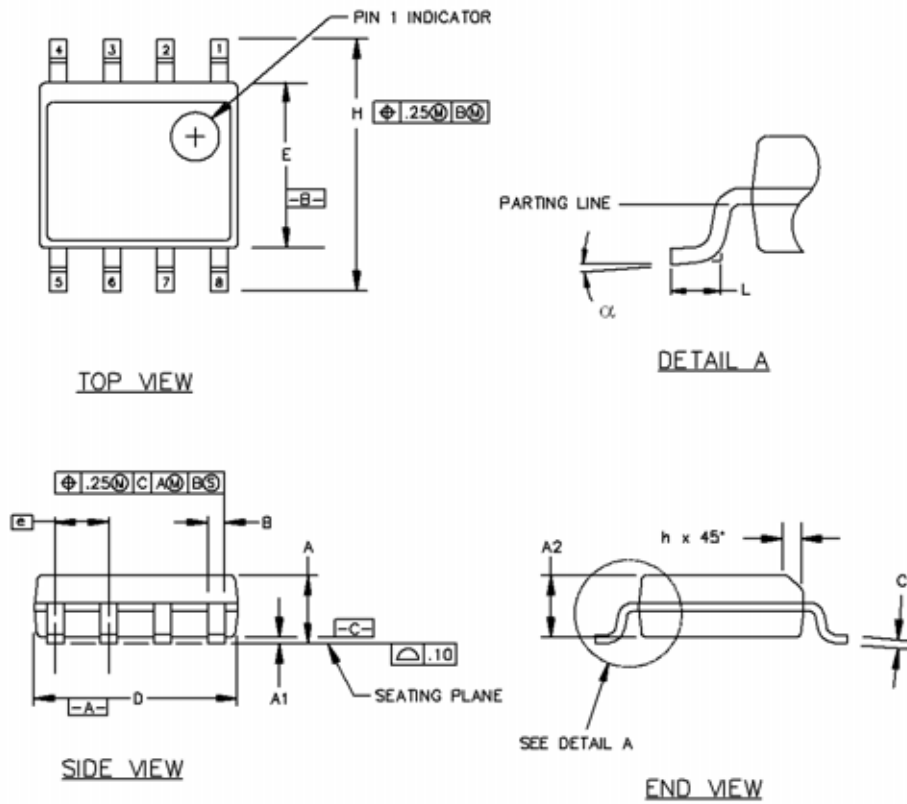
New Ordering Part Number (OPN)	Ordering Options					
	Output Configuration	Cross Reference	UVLO Voltage	Insulation Rating	Temp Range	Pkg Type
Si8261BBC-AS	4.0 A driver	—	8 V	3.75 kVrms	–40 to +125 °C	SOIC-8

**Notes:**

1. All packages are RoHS-compliant with peak solder reflow temperatures of 260 °C according to the JEDEC industry standard classifications.
2. “Si” and “SI” are used interchangeably.
3. AEC-Q100 qualified
4. An “R” at the end of the part number denotes tape and reel packaging option.
5. Automotive-Grade devices (with an “-A” suffix) are identical in construction materials, topside marking, and electrical parameters to their Industrial-Grade (with a “-I” suffix) version counterparts. Automotive-Grade products are produced utilizing full automotive process flows and additional statistical process controls throughout the manufacturing flow. The Automotive-Grade part number is included on shipping labels.
6. Additional Ordering Part Numbers may be available in Automotive-Grade. Please contact your local Silicon Labs sales representative for further information.
7. In Chapter 15. Top Markings on page 35, the Manufacturing Code represented by either “RTTTTT” or “TTTTTT” contains as its first character a letter in the range N through Z to indicate Automotive-Grade.

## 9. Package Outline: 8-Pin Narrow Body SOIC

Figure 19 illustrates the package details for the Si826x in an 8-pin narrow-body SOIC package. Table 15 lists the values for the dimensions shown in the illustration.



**Figure 19. 8-Pin Narrow Body SOIC Package**

**Table 15. 8-Pin Narrow Body SOIC Package Diagram Dimensions**

Symbol	Millimeters	
	Min	Max
A	1.35	1.75
A1	0.10	0.25
A2	1.40 REF	1.55 REF
B	0.33	0.51
C	0.19	0.25
D	4.80	5.00
E	3.80	4.00
e	1.27 BSC	
H	5.80	6.20
h	0.25	0.50
L	0.40	1.27
$\alpha$	0°	8°

## 10. Land Pattern: 8-Pin Narrow Body SOIC

Figure 20 illustrates the recommended land pattern details for the Si826x in an 8-pin narrow-body SOIC. Table 16 lists the values for the dimensions shown in the illustration.

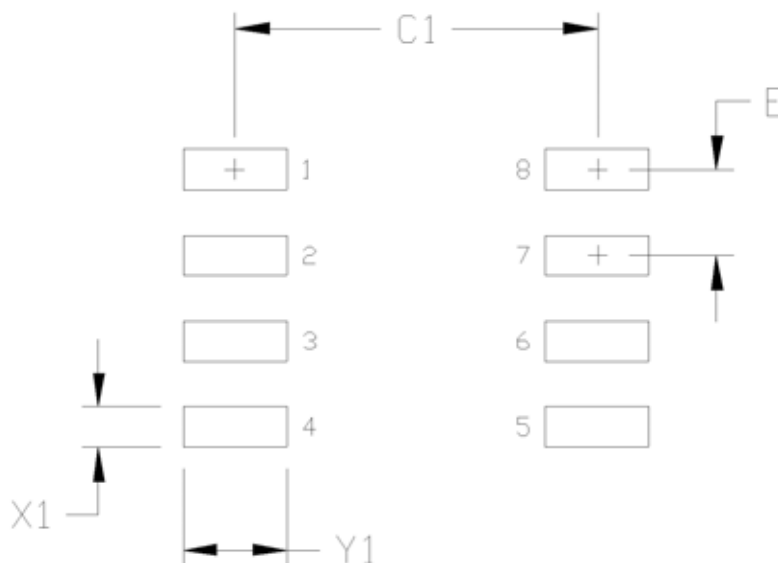


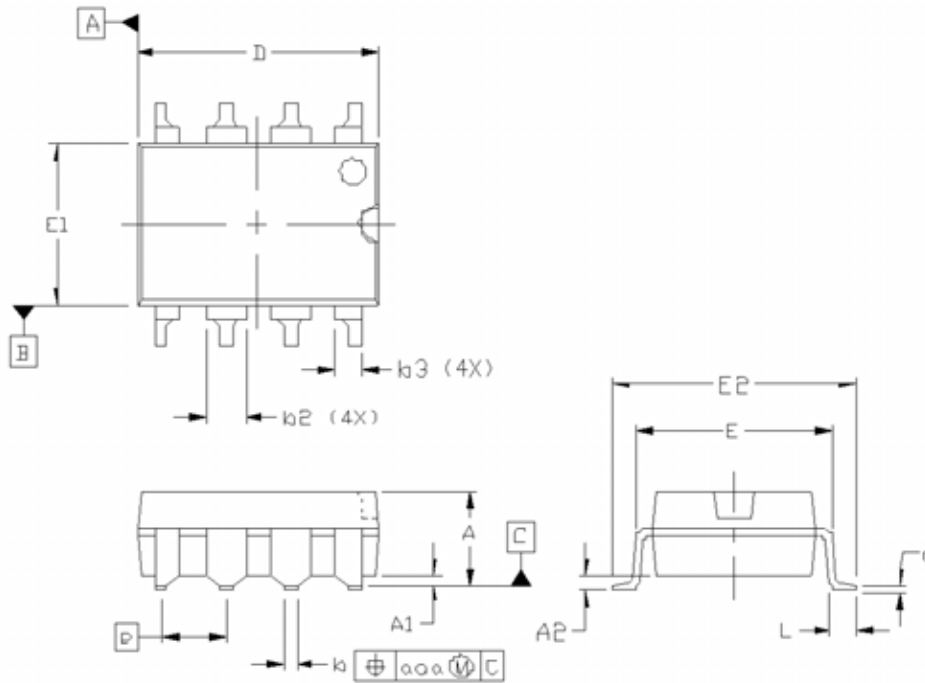
Figure 20. 8-Pin Narrow Body SOIC Land Pattern

Table 16. 8-Pin Narrow Body SOIC Land Pattern Dimensions

Dimension	Feature	(mm)
C1	Pad Column Spacing	5.40
E	Pad Row Pitch	1.27
X1	Pad Width	0.60
Y1	Pad Length	1.55
<b>Notes:</b>		
<ol style="list-style-type: none"> <li>1. This Land Pattern Design is based on IPC-7351 pattern SOIC127P600X173-8N for Density Level B (Median Land Protrusion).</li> <li>2. All feature sizes shown are at Maximum Material Condition (MMC) and a card fabrication tolerance of 0.05 mm is assumed.</li> </ol>		

## 11. Package Outline: DIP8

Figure 21 illustrates the package details for the Si826x in a DIP8 package. Table 17 lists the values for the dimensions shown in the illustration.



**Figure 21. DIP8 Package**

**Table 17. DIP8 Package Diagram Dimensions**

Dimension	Min	Max
A	—	4.19
A1	0.55	0.75
A2	3.17	3.43
b	0.35	0.55
b2	1.14	1.78
b3	0.76	1.14
c	0.20	0.33
D	9.40	9.90
E	7.37	7.87
E1	6.10	6.60
E2	9.40	9.90
e	2.54 BSC.	
L	0.38	0.89
aaa	—	0.25
<b>Notes:</b>		
1. All dimensions shown are in millimeters (mm) unless otherwise noted.		
2. Dimensioning and Tolerancing per ANSI Y14.5M-1994.		

## 12. Land Pattern: DIP8

Figure 22 illustrates the recommended land pattern details for the Si826x in a DIP8 package. Table 18 lists the values for the dimensions shown in the illustration.

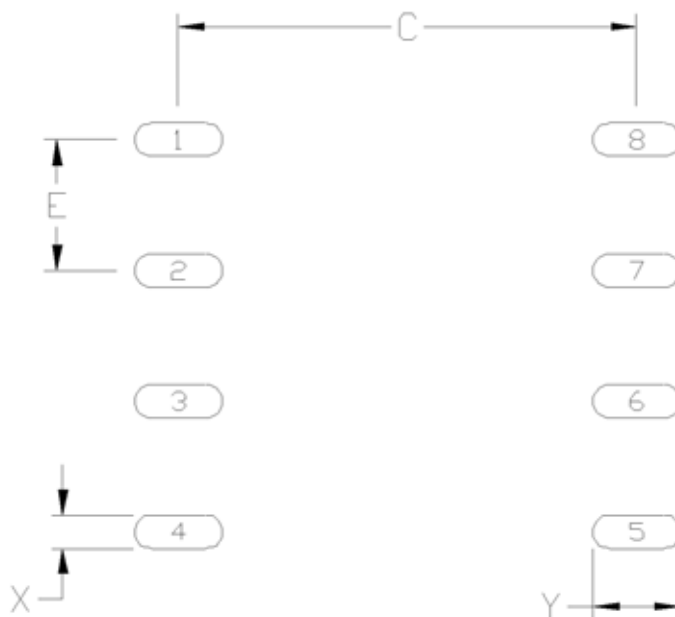


Figure 22. DIP8 Land Pattern

Table 18. DIP8 Land Pattern Dimensions\*

Dimension	Min	Max
C	8.85	8.90
E	2.54 BSC	
X	0.60	0.65
Y	1.65	1.70

**\*Note:** This Land Pattern Design is based on the IPC-7351 specification.

## 13. Package Outline: SDIP6

Figure 23 illustrates the package details for the Si826x in an SDIP6 package. Table 19 lists the values for the dimensions shown in the illustration.

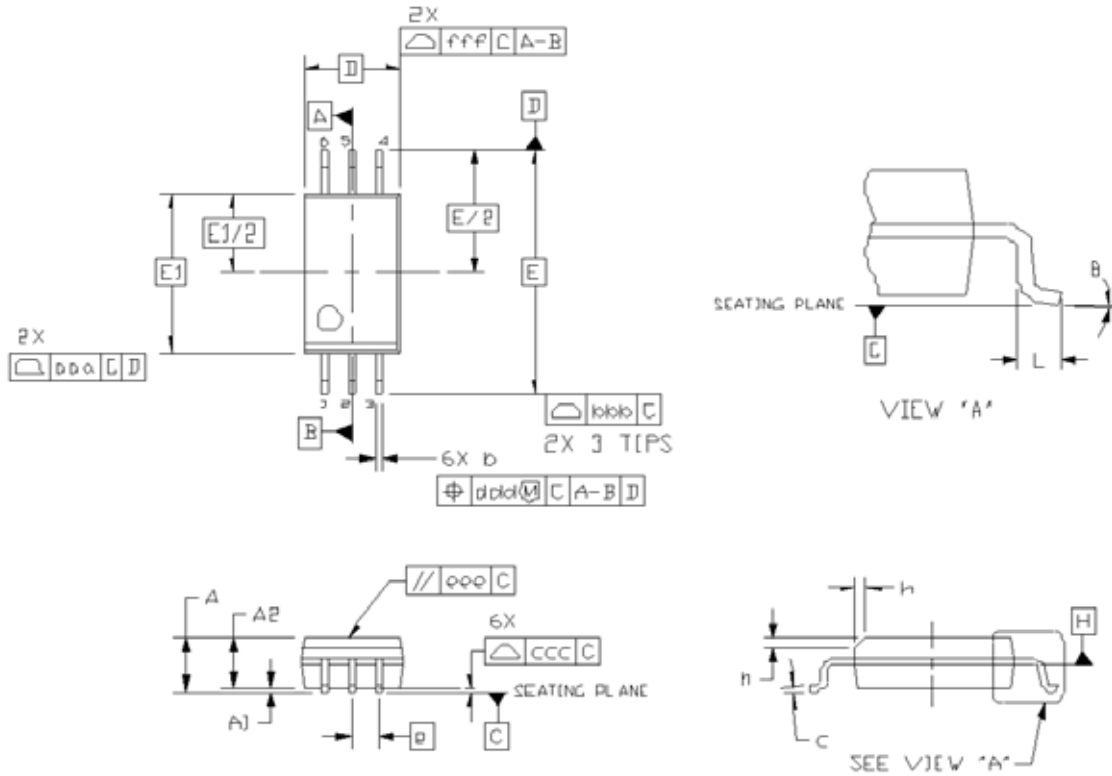


Figure 23. SDIP6 Package

Table 19. SDIP6 Package Diagram Dimensions

Dimension	Min	Max
A	—	2.65
A1	0.10	0.30
A2	2.05	—
b	0.31	0.51
c	0.20	0.33
D	4.58 BSC	
E	11.50 BSC	
E1	7.50 BSC	
e	1.27 BSC	

**Notes:**

1. All dimensions shown are in millimeters (mm) unless otherwise noted.
2. Dimensioning and Tolerancing per ANSI Y14.5M-1994.



Table 19. SDIP6 Package Diagram Dimensions (Continued)

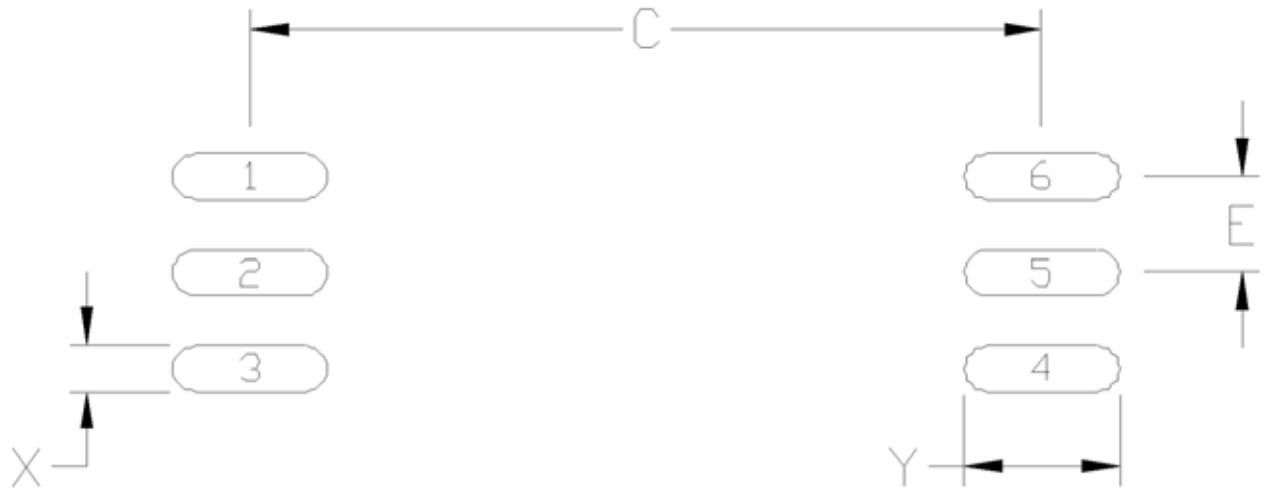
Dimension	Min	Max
L	0.40	1.27
h	0.25	0.75
$\theta$	0°	8°
aaa	—	0.10
bbb	—	0.33
ccc	—	0.10
ddd	—	0.25
eee	—	0.10
fff	—	0.20

**Notes:**

1. All dimensions shown are in millimeters (mm) unless otherwise noted.
2. Dimensioning and Tolerancing per ANSI Y14.5M-1994.

## 14. Land Pattern: SDIP6

Figure 24 illustrates the recommended land pattern details for the Si826x in an SDIP6 package. Table 20 lists the values for the dimensions shown in the illustration.



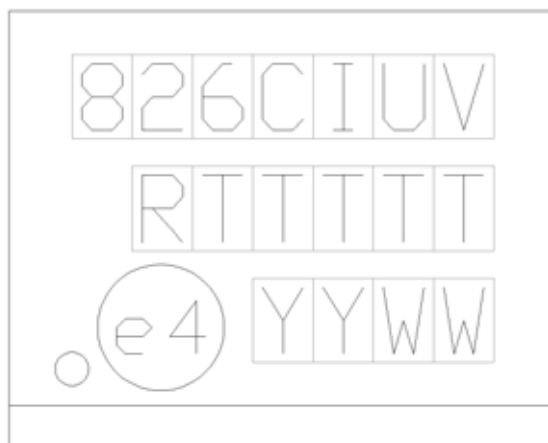
**Figure 24. SDIP6 Land Pattern**

**Table 20. SDIP6 Land Pattern Dimensions\***

Dimension	Min	Max
C	10.45	10.50
E	1.27 BSC	
X	0.55	0.60
Y	2.00	2.05
<b>*Note:</b> This Land Pattern Design is based on the IPC-7351 specification.		

## 15. Top Markings

### 15.1. Si826x Top Marking (Narrow Body SOIC)

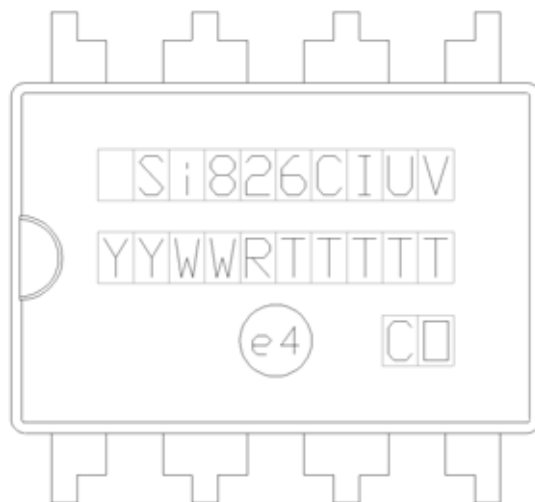


### 15.2. Top Marking Explanation

<b>Line 1 Marking:</b>	Customer Part Number	826 = ISOdriver product series C = Input configuration 1 = Opto input type I = Peak output current A = 0.6 A; B = 4.0 A U = UVLO level A = 5 V; B = 8 V; C = 12 V V = Isolation rating C = 3.75 kV; D = 5.0 kV
<b>Line 2 Marking:</b>	RTTTTT = Mfg Code	Manufacturing Code from the Assembly Purchase Order form. "R" indicates revision.
<b>Line 3 Marking:</b>	Circle = 43 mils Diameter Left-Justified	"e4" Pb-Free Symbol
	YY = Year WW = Work Week	Assigned by the Assembly House. Corresponds to the year and work week of the mold date.

# Si826x

## 15.3. Si826x Top Marking (DIP8)



## 15.4. Top Marking Explanation

<b>Line 1 Marking:</b>	Customer Part Number	Si826 = ISOdriver product series C = Input configuration 1 = Opto input type I = Peak output current A = 0.6 A; B = 4.0 A U = UVLO level A = 5 V; B = 8 V; C = 12 V V = Isolation rating C = 3.75 kV; D = 5.0 kV
<b>Line 2 Marking:</b>	YY = Year WW = Work Week	Assigned by the Assembly House. Corresponds to the year and work week of the mold date.
	RTTTTT = Mfg Code	Manufacturing Code from the Assembly Purchase Order form. "R" indicates revision.
<b>Line 3 Marking:</b>	Circle = 51 mils Diameter Center-Justified	"e4" Pb-Free Symbol
	CO = Country of Origin	Country of Origin ISO Code Abbreviation

## 15.5. Si826x Top Marking (SDIP6)



## 15.6. Top Marking Explanation

<b>Line 1 Marking:</b>	Device	Si826 = ISOdriver product series C = Input configuration 1 = Opto input type
<b>Line 2 Marking:</b>	Device Rating	I = Peak output current A = 0.6 A; B = 4.0 A U = UVLO level A = 5 V; B = 8 V; C = 12 V V = Isolation rating C = 3.75 kV; D = 5.0 kV
<b>Line 3 Marking:</b>	RTTTTT = Mfg Code	Manufacturing Code from the Assembly Purchase Order form. "R" indicates revision.
<b>Line 4 Marking:</b>	YY = Year WW = Work Week	Assigned by the Assembly House. Corresponds to the year and work week of the mold date.

## DOCUMENT CHANGE LIST

### Revision 0.9 to Revision 1.0

- Updated Table 2 on page 4.
- Added Figure 1 on page 7.
- Updated "3.1.Theory of Operation" on page 15.
- Updated Figures 10, 11, and 12 on page 17.
- Removed "5.5. Parametric Differences between Si826x and HCPL-0302 and HCPL-3120 Opto Drivers".

### Revision 1.0 to Revision 1.1

- Updated Figure 1 on page 7.
- Updated Ordering Guide Table 13 on page 24.
  - Removed references to moisture sensitivity levels from table note.

### Revision 1.1 to Revision 1.2

- Removed "Sampling" from Ordering Guide Table 13 on page 24.

### Revision 1.2 to Revision 1.3

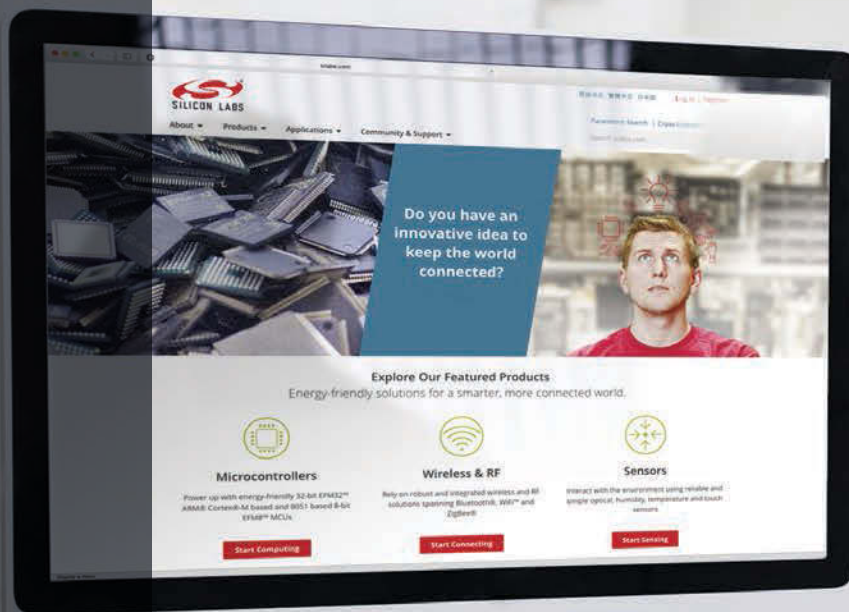
- Updated Table 3 on page 9.
  - Added CQC certificate numbers.
- Updated Table 5 on page 10.
  - Updated Rated Mains Voltage for 1000 V<sub>RMS</sub> ratings.
- Updated Table 6 on page 10.
  - Removed V<sub>IOSM</sub> specification.
- Updated Table 9 on page 14.
  - Replaced I<sub>O</sub> with Peak Output Current I<sub>OPK</sub>.
- Updated Figure 13 on page 18.
- Updated Figure 14 on page 18.
- Updated Figure 15 on page 19.
- Changed V<sub>DD</sub> minimum throughout document to reflect 6.5 V, not 5 V, as normal operation.

### Revision 1.3 to Revision 1.4

- Removed references to LGA8 throughout.
- Deleted all IEC 60747-5 and IEC 61010 references throughout and added VDE 0884-10 references throughout.
- Updated all certification body's certificate and file reference numbers throughout.

### Revision 1.4 to Revision 1.5

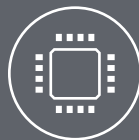
- Added Automotive-grade Ordering Guide and other introductory information.



Smart.  
Connected.  
Energy-Friendly.



**Products**  
[www.silabs.com/products](http://www.silabs.com/products)



**Quality**  
[www.silabs.com/quality](http://www.silabs.com/quality)



**Support and Community**  
[community.silabs.com](http://community.silabs.com)

**Disclaimer**

Silicon Labs intends to provide customers with the latest, accurate, and in-depth documentation of all peripherals and modules available for system and software implementers using or intending to use the Silicon Labs products. Characterization data, available modules and peripherals, memory sizes and memory addresses refer to each specific device, and "Typical" parameters provided can and do vary in different applications. Application examples described herein are for illustrative purposes only. Silicon Labs reserves the right to make changes without further notice to the product information, specifications, and descriptions herein, and does not give warranties as to the accuracy or completeness of the included information. Without prior notification, Silicon Labs may update product firmware during the manufacturing process for security or reliability reasons. Such changes will not alter the specifications or the performance of the product. Silicon Labs shall have no liability for the consequences of use of the information supplied in this document. This document does not imply or expressly grant any license to design or fabricate any integrated circuits. The products are not designed or authorized to be used within any FDA Class III devices, applications for which FDA premarket approval is required or Life Support Systems without the specific written consent of Silicon Labs. A "Life Support System" is any product or system intended to support or sustain life and/or health, which, if it fails, can be reasonably expected to result in significant personal injury or death. Silicon Labs products are not designed or authorized for military applications. Silicon Labs products shall under no circumstances be used in weapons of mass destruction including (but not limited to) nuclear, biological or chemical weapons, or missiles capable of delivering such weapons. Silicon Labs disclaims all express and implied warranties and shall not be responsible or liable for any injuries or damages related to use of a Silicon Labs product in such unauthorized applications.

**Trademark Information**

Silicon Laboratories Inc.®, Silicon Laboratories®, Silicon Labs®, SiLabs® and the Silicon Labs logo®, Bluegiga®, Bluegiga Logo®, ClockBuilder®, CMEMS®, DSPLL®, EFM®, EFM32®, EFR, Ember®, Energy Micro, Energy Micro logo and combinations thereof, "the world's most energy friendly microcontrollers", Ember®, EZLink®, EZRadio®, EZRadioPRO®, Gecko®, Gecko OS, Gecko OS Studio, ISOModem®, Precision32®, ProSLIC®, Simplicity Studio®, SiPHY®, Telegesis, the Telegesis Logo®, USBXpress®, Zentri, the Zentri logo and Zentri DMS, Z-Wave®, and others are trademarks or registered trademarks of Silicon Labs. ARM, CORTEX, Cortex-M3 and THUMB are trademarks or registered trademarks of ARM Holdings. Keil is a registered trademark of ARM Limited. Wi-Fi is a registered trademark of the Wi-Fi Alliance. All other products or brand names mentioned herein are trademarks of their respective holders.



Silicon Laboratories Inc.  
400 West Cesar Chavez  
Austin, TX 78701  
USA

<http://www.silabs.com>