

HDMI Connector

SPECIFICATIONS

Mechanical

Mating Force: initial 4.5Kgf max(HDMI), 3.5Kgf max(USB)
Unmating Force: initial 1~4Kgf(HDMI), 1Kgf min(USB)
Durability: 10000 cycles(HDMI), 1500 cycles(USB)

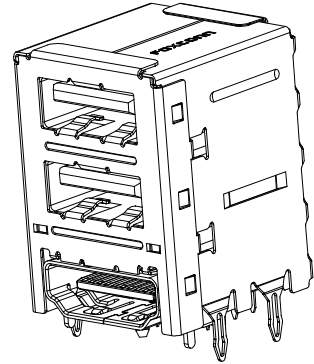
Electrical

Current Rating: 0.5A min(HDMI), 1.5A min(USB)
Contact Resistance: Initial 10mΩ max(HDMI), 30mΩ max(USB)
Dielectric Withstanding Voltage: 500V AC (Rms.)
Insulation Resistance: 100MΩ min(HDMI), 1000MΩ min(USB)

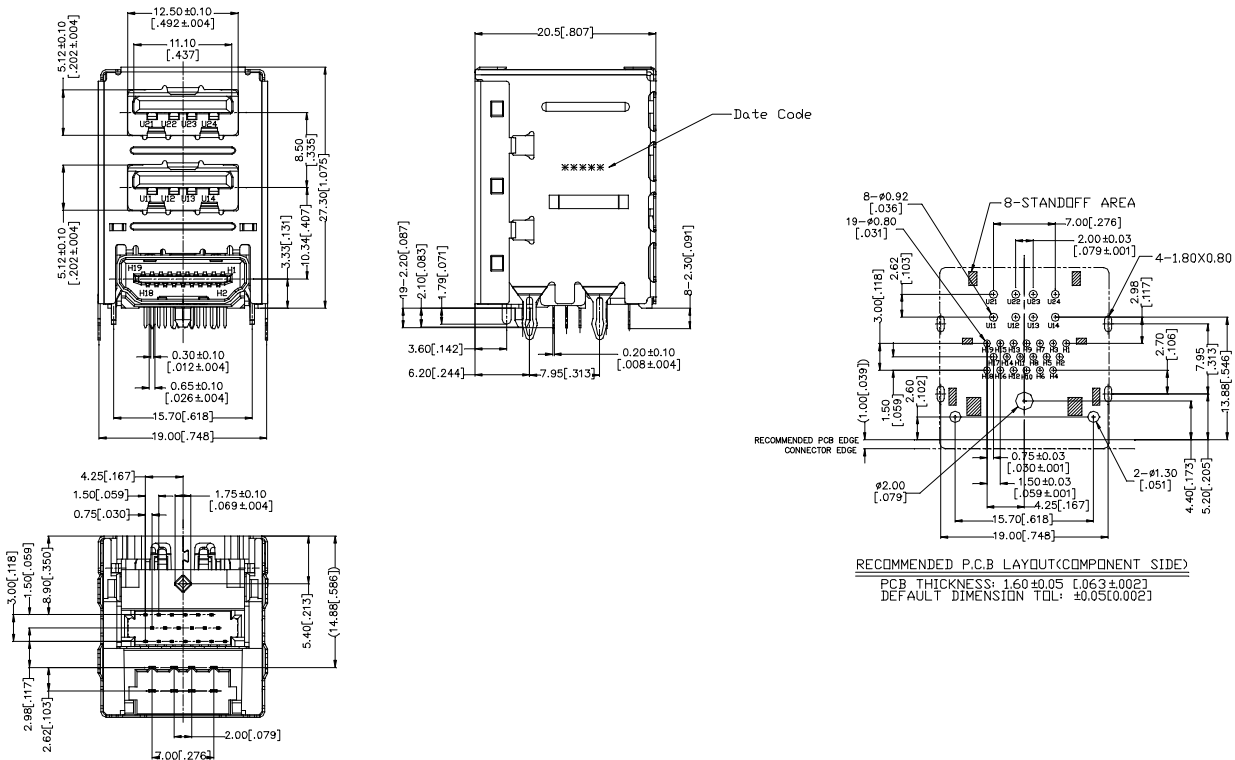
Physical

Housing: Thermoplastic, UL 94V-0 rated in black Color
Contact: Copper alloy
Plating: See "ORDERING INFORMATION"
Operating Temperature: -55°C to +85°C

HDMI Receptacle Series
Right Angle, T/H Type
0.50mm [.020"] Pitch
19 Pos.
Dual USB Receptacle Series
Right Angle, T/H Type
4 Pos.



DRAWING



ORDERING INFORMATION

