

SPECIFICATIONS

Mechanical

Plug Mating Force: 4.50kgf (9.92Lb) max
Plug Unmating Force: 1.00~4.00kgf (2.21~8.82Lb)
Durability: 10000 Cycles

Electrical

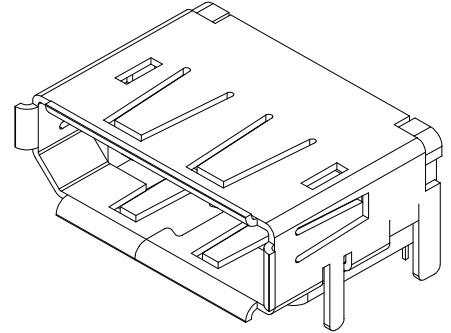
Current Rating: 0.50A min
Contact Resistance: 30mΩ max. (Initial)
 60mΩ max. (After life test)
Dielectric Withstanding Voltage: 500V AC RMS
Insulation Resistance: Unmated plug: 100MΩ min at 500V DC
 Mated plug: 10MΩ min at 500V DC

Physical

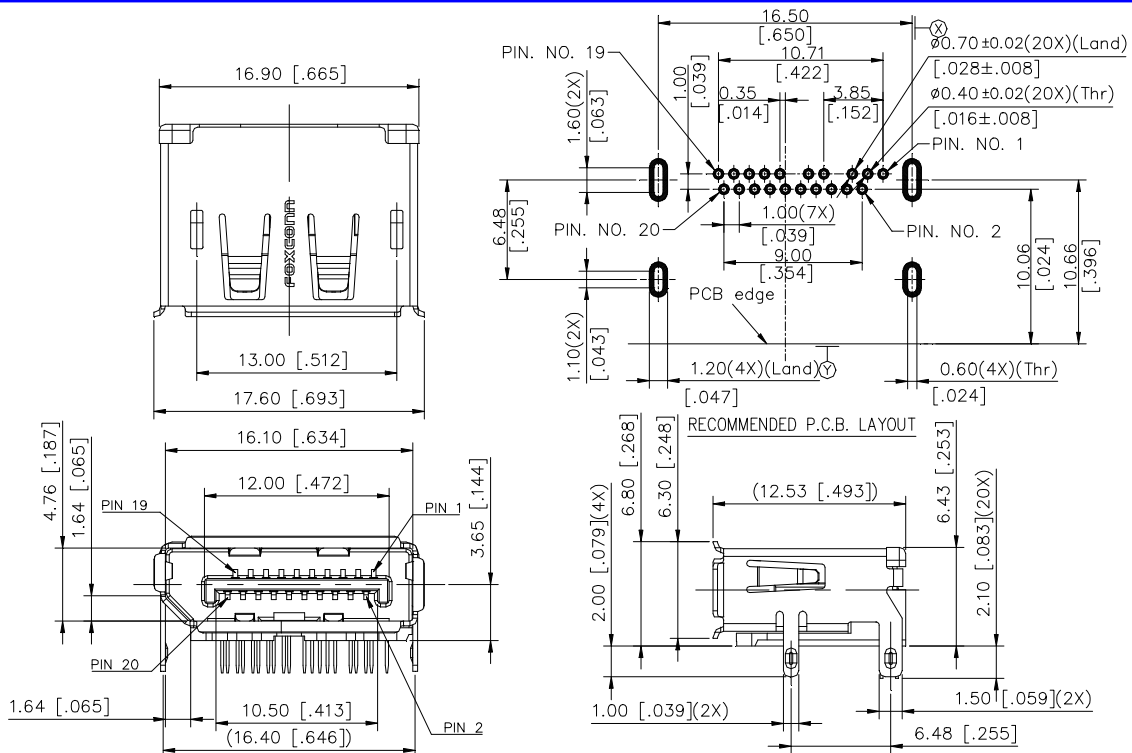
Housing: Thermoplastic, UL 94V-0 rated
Contact: Copper alloy
Plating: See "ORDERING INFORMATION"
Operating Temperature: -40°C to +85°C

Displayport Connector

**Standard DisplayPort, R/A,
 T/H Type, 20 Pos**



DRAWING



ORDERING INFORMATION

PRODUCT NO.: 3VD1120*-D7AB-4H

Display port series	3	Product series	V	Termination type	1	Connector type	1	5. No. of Pos.	20	Lead code	H	Package code	4	Extension code	A	Contact Area Plating	1