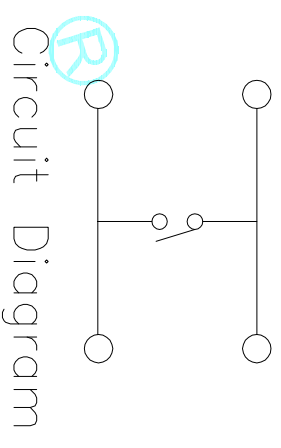
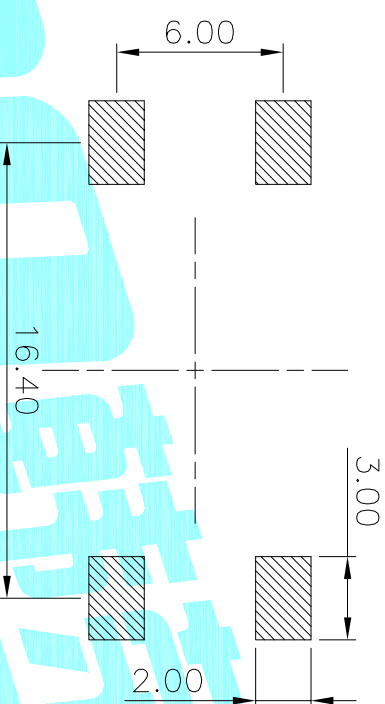
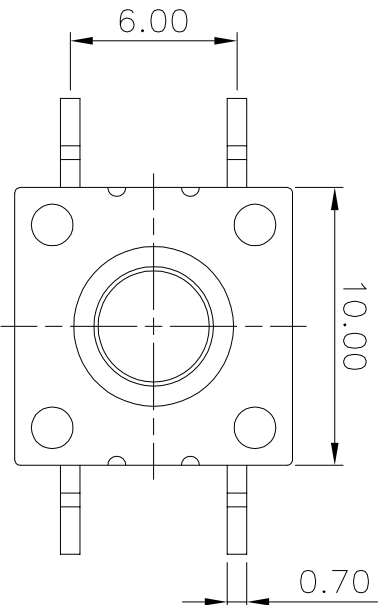


- Typical Specifications :
1. Rating : DC 12V 50mA
  2. Life:100,000 Cycles Min.

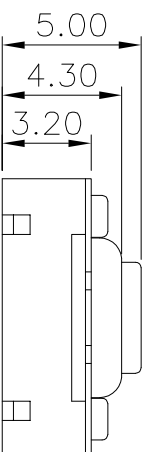
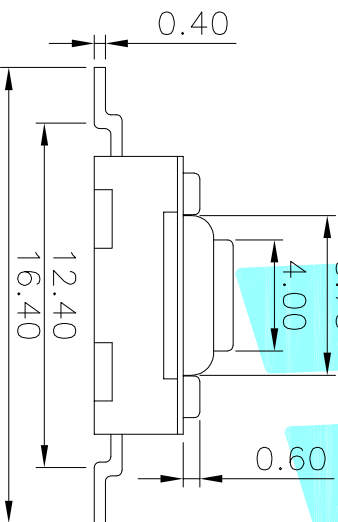


NO.2	
PART NO	vigor
4	250±30

NO.3	
PART NO	MATERIAL/QTY
S	SUS/1PC

NO.4-NO.5	
PART NO	NOTE
01~99	SERIAL NUMBER

PCB Layout(Pattern side)



ITEM	PART NAME	TER'NO.	QTY.	MATERIAL	FINISHING	REMARK
⑦	Gasket	---	1	Nylon	---	---
⑥	Waterproof Silicone	---	1	Silica gel	---	---
⑤	Terminal	---	4	Brass(0.3t)	Plating silver	---
④	Contact	---	1	F.Ag/SUS	---	---
③	Base	---	1	Nylon	Black	---
②	Cover	---	1	SUS	---	---
①	Keystroke	---	1	Nylon	Red	---

APPROVALS		DATE	TITLE:	
DRAWN	J.X.Zhong	2018/8/1	TACT SWITCHS	
CHECKED			ELECTRONICS CO.,LTD	
APPROVALS			HROELECTRONICS	

ECN NO.	REV.	DATE.	DESCRIPTION.	CHANGE.	CHECK.	APPRO.	TOLERANCES ARE	30°~90°	±0.30	ANGLE	PART NO.	SCALE: 1:1	PROJ:	SHEET 1 OF 1
	A		NEW				10~±30	±0.20			K2-1842SP-C4SW-□□			
							5~±10	±0.15	±2°					