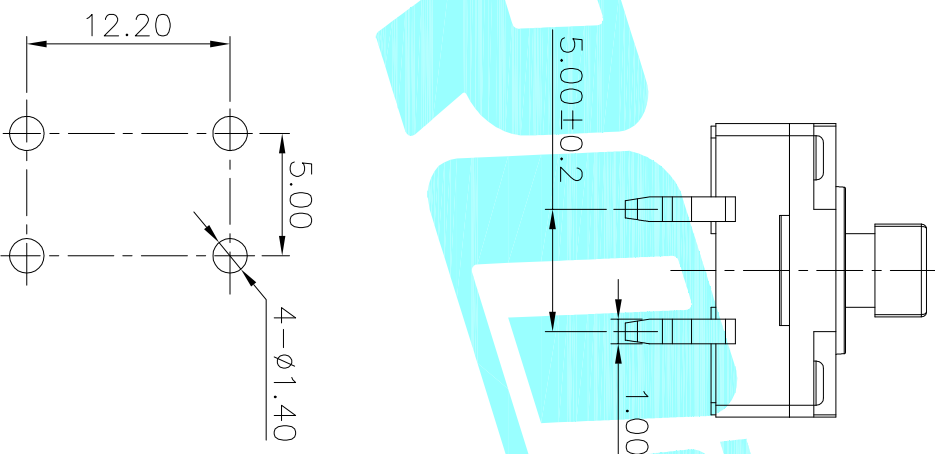
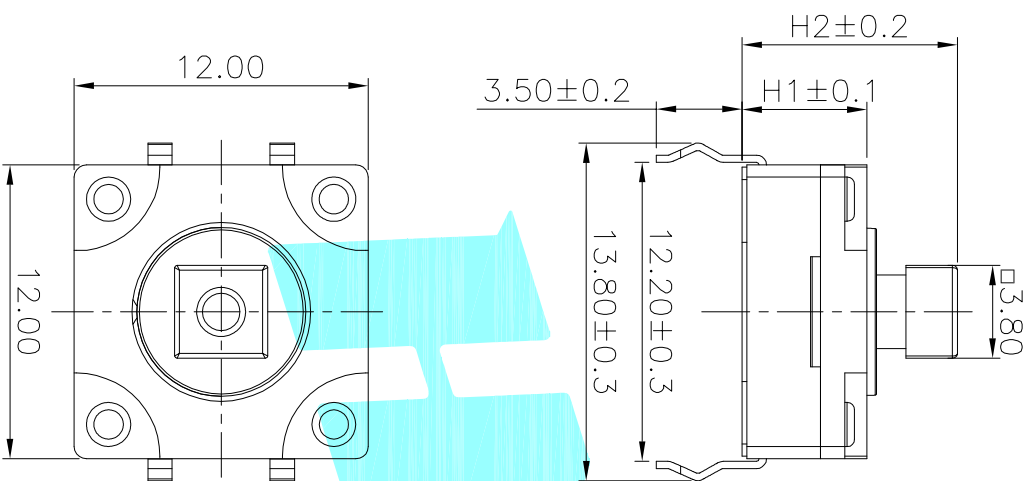


NO.2			
PART NO	H1	H2	
A	3.8	7.3	
B	5.1	8.8	

NO.2	
PART NO	vigor
4	250±30

NO.3	
PART NO	MATERIAL/QTY
S	SUS/1PC

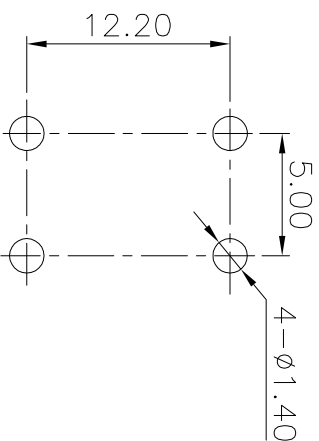
NO.4-NO.5	
PART NO	NOTE
01~99	SERIAL NUMBER



Circuit Diagram

Typical Specifications
 1. Rating : DC 12V 30mA
 2. Life : 50,000 Cycles
 3. IP Rating: IP67

PCB Layout(Pattern side)



⑦	Gasket	—	1	Nylon	—	—	—
⑥	Waterproof Silicone	—	1	Silica gel	—	—	—
⑤	Terminal	—	4	Brass(0.3t)	Plating silver	—	—
④	Contact	—	1	F.Ag/C5210	—	—	—
③	Base	—	1	Nylon	Black	—	—
②	Cover	—	1	Nylon	—	—	—
①	Keystroke	—	1	Nylon	Black	—	—
ITEM	PART NAME	TER'NO.	QTY.	MATERIAL	FINISHING	REMARK	

APPROVALS		DATE
DRAWN	J.X.Zhong	2018/08/01

CHECKED		TITLE: TACT SWITCHS	
APPROVALS		PART NO.	K2-1841DT-04SW-00
TOLERANCES ARE		SCALE: 1:1	PROJ:
30~0.1±	±0.30	ANGLE	
10~0.30	±0.20	UNIT: mm	
5~10	±0.15	DRAWING NO.	
~5	±0.10	SHEET	1 OF 1

ECN NO.	REV.	DATE.	DESCRIPTION.	CHANGE.	CHECK.	APPRO.
	A		NEW			



ELECTRONICS CO.,LTD