

DIO2674

Four-Channel, 6th-Order SD and 1080p HD Video Filter

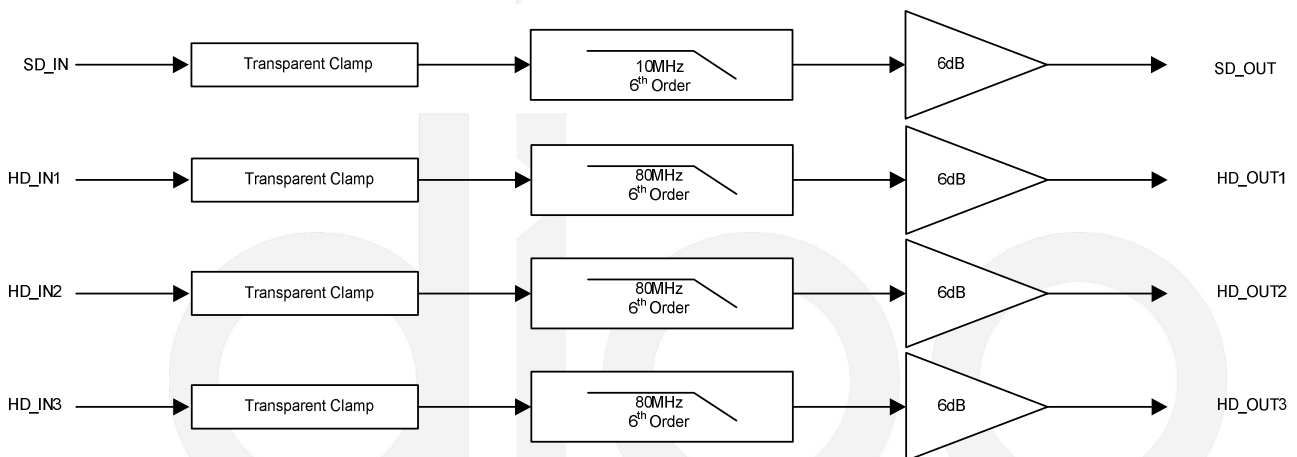
Features

- One SD channel with 6th-order, 10MHz filter
- Three HD channels with 6th-order, 80MHz filter
- Transparent Input Clamping
- Fixed 6dB Gain
- AC or DC Coupled Inputs
- AC or DC Coupled Outputs
- Operates from 3.135V to 5.25V
- Single Power Supply
- RoHS or Green TSSOP-14 Package
- 6500V ESD protection

Applications

- DVD Players
- Video Amplifiers
- Cable set-top boxes
- Personal Video Recorders
- Communications Devices
- Video on Demand

Block Diagram



Ordering Information

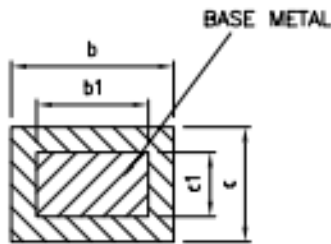
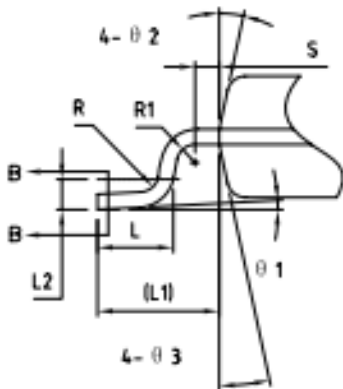
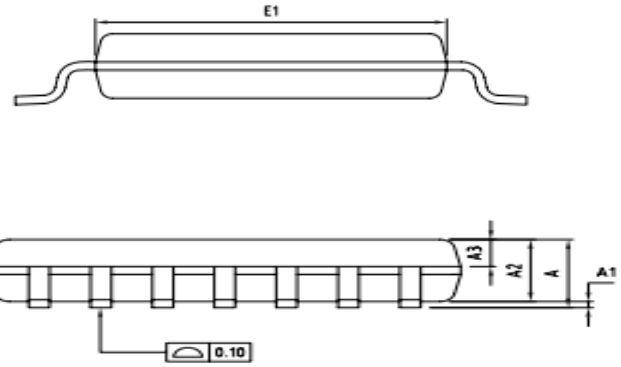
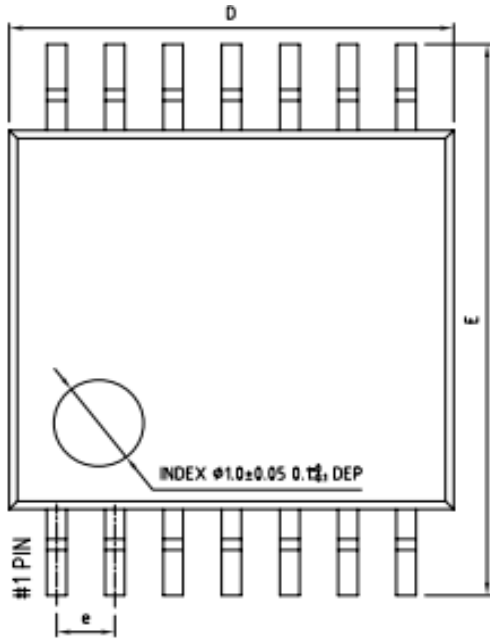
Order Part Number	Top Marking		T _A	Package	
DIO2674CT14	DIO2674	Green	-40 to +85°C	TSSOP-14	Tape & Reel, 2500

Descriptions

DIO2674 is a low voltage, four channels video amplifier with integrated 6dB reconstruction filter and input clamps. In fact, DIO2674 integrates a single SD video driver plus a triple HD video driver. DIO2674 can improve image quality compared to the passive LC filters.

All channels can be directly driven by a DC-coupled or an AC-coupled signal. Internal diode-like clamps and bias circuitry may be used if AC-coupled inputs are required. The output in DIO2674 can also drive AC or DC coupled single (150Ω) or dual (75Ω) loads. The DC coupling capacitors can be removed.

Physical Dimensions: TSSOP-14



SECTION B-B

Symbol	Dimensions In Millimeters		
	Min	Nom	Max
A	-	-	1.20
A1	0.05	-	0.15
A2	0.90	1.00	1.05
A3	0.34	0.44	0.54
b	0.20	-	0.28
b1	0.20	0.22	0.24
c	0.10	-	0.19
c1	0.10	0.13	0.15
D	4.86	4.96	5.06
E	6.20	6.40	6.60
E1	4.30	4.40	4.50
e	0.65BSC		
L	0.45	0.60	0.75
L1	1.00REF		
L2	0.25BSC		
R	0.09	-	-
R1	0.09	-	-
S	0.20	-	-
ø1	0°	-	8°
ø2	10°	12°	14°
ø3	10°	12°	14°



DIO2674

CONTACT US

Dioo is a professional design and sales corporation for high-quality and performance analog semiconductors. The company focuses on industry markets, such as, cell phone, handheld products, laptop, and medical equipments and so on. Dioo's product families include analog signal processing and amplifying, LED drivers and charger IC. Go to <http://www.dioo.com> for a complete list of Dioo product families.

For additional product information, or full datasheet, please contact with our Sales Department or Representatives.

Four-Channel, 6th-Order SD and 1080p HD Video Filter

