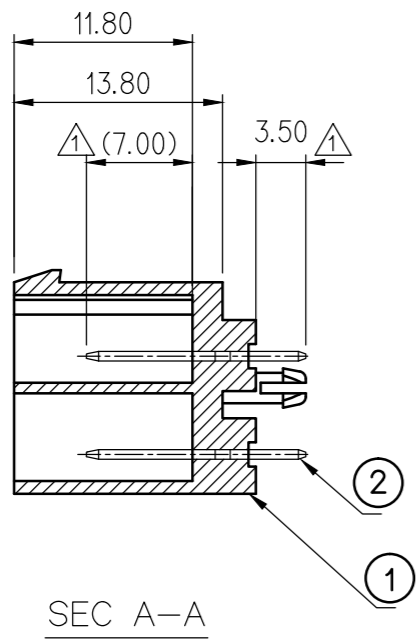
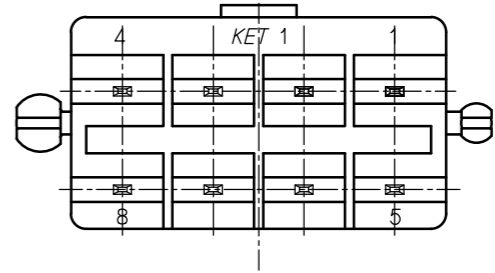
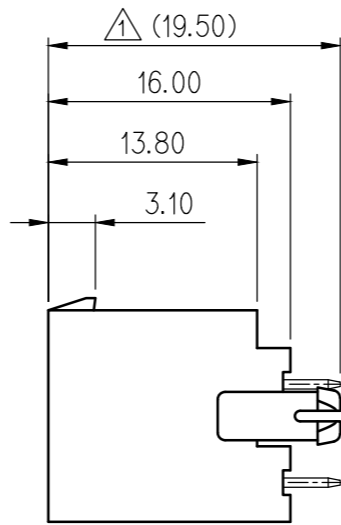
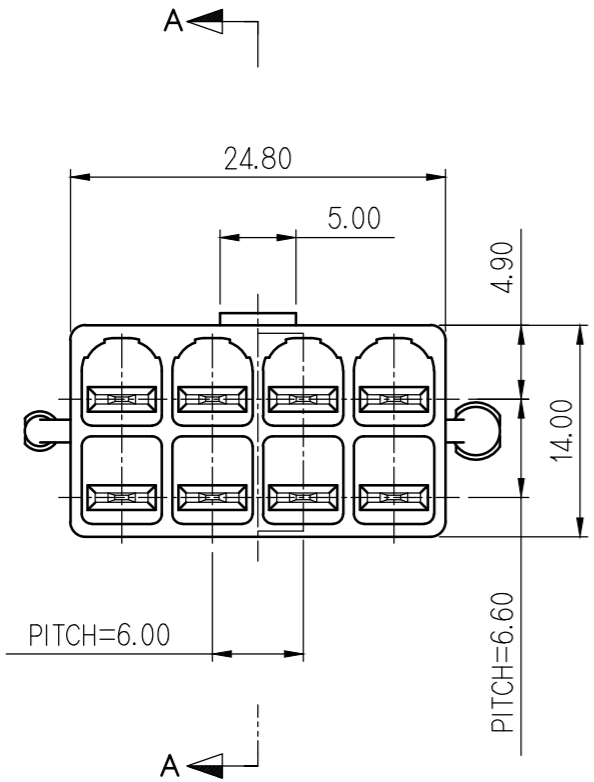
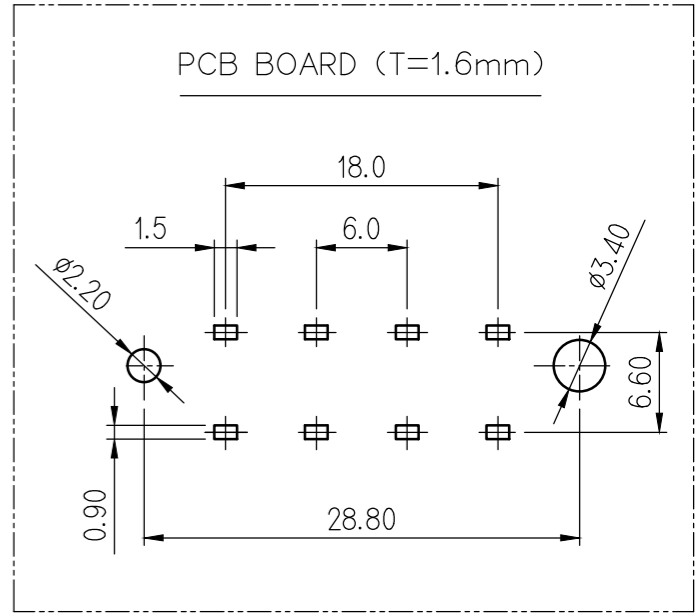
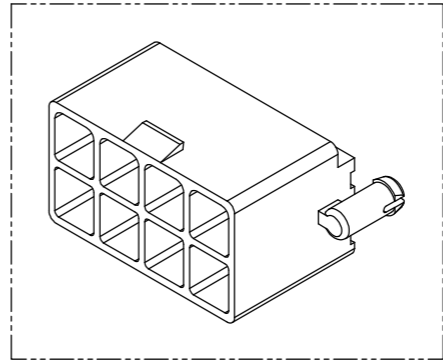
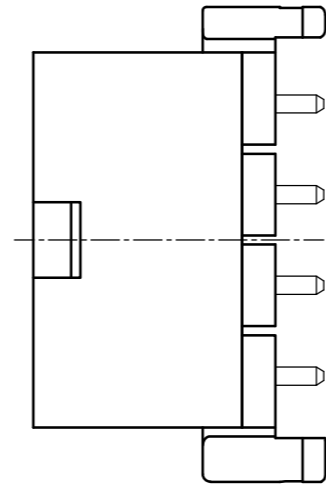


GENERAL TOLERANCE (HOUSING)							USED ON
10MAX	50MAX	100MAX	250MAX	250VR	ANGLE	ECCENT	
±0.2	±0.3	±0.55	±0.95	±1.4	±30'	0.1	



SEC A-A



주 기

1. 기능상 유해한 FLASH, SINK, WELDLINE 등이 없을것.
2. 적용 HOUSING::MG613374
3. 제품내 함유된 6대 유해물질 (납,수은,카드뮴,6가크롬, PBBs,PBDEs)은 EU ELV 지침 및 RoHS 법규에서 지정한 최대 허용 농도를 초과해서는 안된다.

NOTE

1. MUST BE FREE OF FLASH, SINK, WELDLINE AND IMPERFECTION THAT AFFECT FUNCTION.
2. APPLICABLE HOUSING : :MG613374
3. 6 HAZARDOUS SUBSTANCES IN PARTS (LEAD, MERCURY, CADMIUM, HEXAVALENT CHROMIUM, PBBs, PBDEs) SHALL NOT EXCEED THE MAXIMUM PERMISSIBLE CONCENTRATION PRESCRIBED UNDER EU ELV DIRECTIVE & RoHS REGULATION.

NO.	PART NAME	PART NO	MATERIAL	FINISH	Q'TY
①	1806 8P PCB HOUSING (VRT)	MG673376	PBT	NATURAL	1 EA
②	1806 PCB TAB TERM'	P900457-3	BRASS	PRE-TIN	8 EA

ISSUE MARK

		MATERIAL		SEE TABLE	KJET KOREA ELECTRIC TERMINAL CO., LTD.			
		FINISH		SEE TABLE				
		WIRE RANGE			CLASS			
		INSULATION			TYPE			
LTR	REVISION RECORD	DR.	CHK.	APP.	DATE	TOLERANCE EXCEPT AS NOTED	SCALE	PART NO.
						SEE TABLE	2/1	MG643375
DR. LSY 05. 01. 31		CHK.				PART NAME		
CHK. 2/3		APP.		2/4		1806 PCB 8M CONN'T ASS'Y(VRT)		