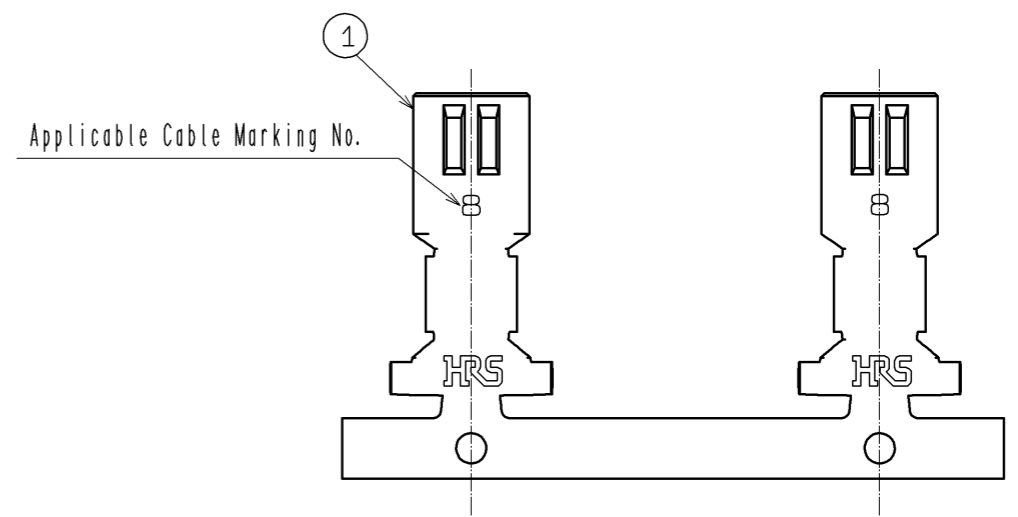
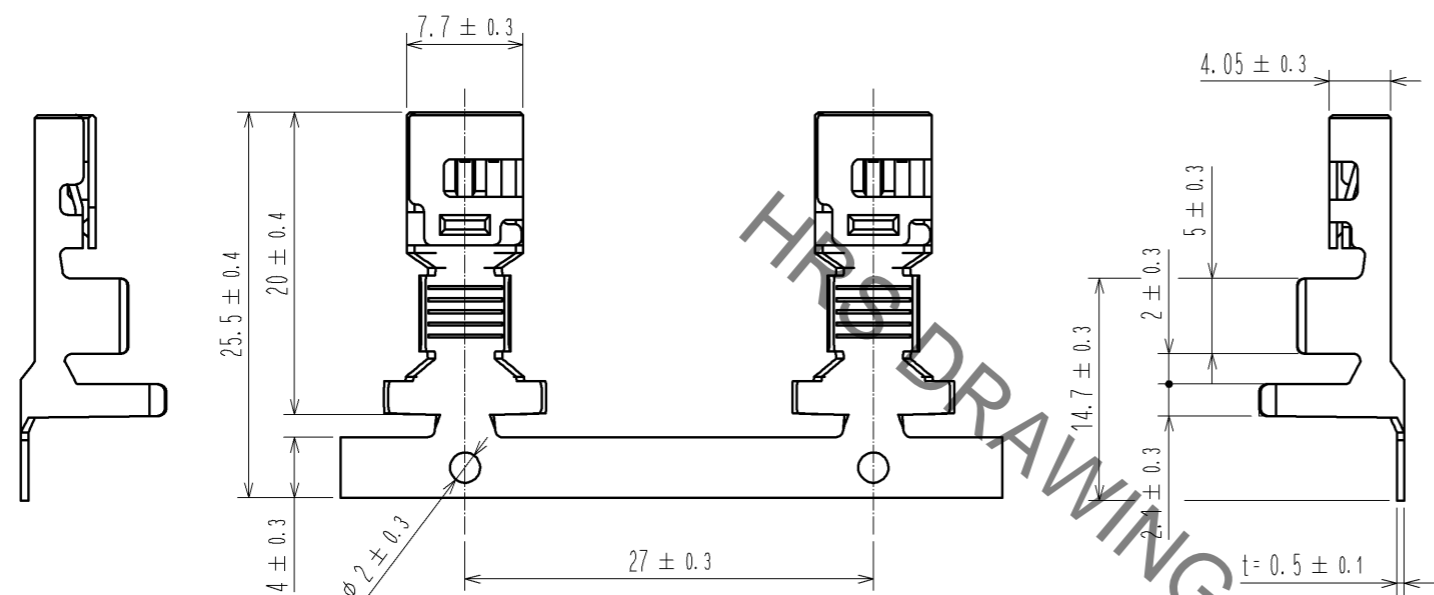
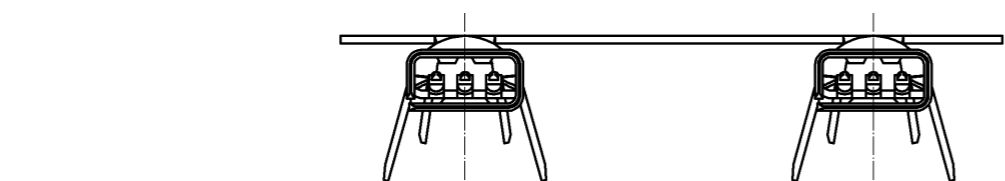
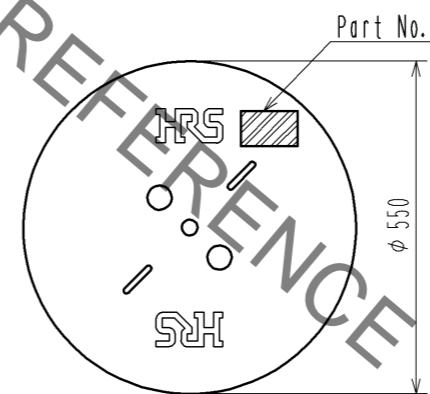


May.1.2020 Copyright 2020 HIROSE ELECTRIC CO., LTD. All Rights Reserved.
 In case of consideration for using Automotive equipment / device which demand high reliability, kindly contact our sales window correspondents.



2 Style and Dimension of Reel



Detail of part No. Label

HRS		検査
品名コード	CL680-3003-2	Inspection
品名	DF60-8SCFA	
数量	700	
仕様		
LOT No.		
繰り目		
Section		
Lot No.		
Specification		
Quantity		
Part No.		
Code No.		

NOTE 1. 1RL:700 Contacts.

2 Style of Reel and Box Shows in Figure.

3. Please be sure to check the form of crimping using a cable. When you adjust Applicator.

NO.		MATERIAL		FINISH . REMARKS		NO.		MATERIAL		FINISH . REMARKS	
		1		COPPER ALLOY				Contact Area : Au Plating 0.2μm min		Under Plating : Ni Plating 1μm min	
UNITS	mm	SCALE	2 : 1	COUNT	△	DESCRIPTION OF REVISIONS		DESIGNED	CHECKED	DATE	
HRS HIROSE ELECTRIC CO., LTD.		APPROVED : KI. AKIYAMA		11.08.30		DRAWING NO.		EDC3-336566-00			
		CHECKED : OM. MIYAMOTO		11.08.30		PART NO.		DF60-8SCFA			
		DESIGNED : SZ. ONO		11.08.29		CODE NO.		CL680-3003-2-00			
		DRAWN : SZ. ONO		11.08.29							