

**Low Voltage, High Bandwidth, USB 2.0, 4:1 Mux/DeMux with Single Enable**

**Features**

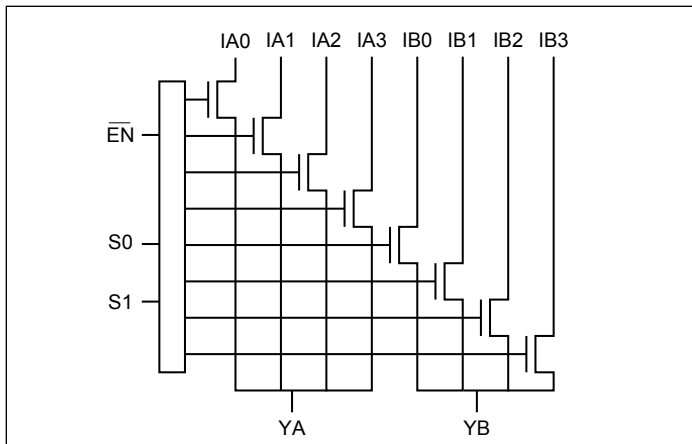
- Near-Zero propagation delay
- 5Ω switches connect inputs to outputs
- High signal passing bandwidth (-3dB BW is 815MHz)
- Beyond Rail-to-Rail switching
- 5V I/O tolerant with 3.3V supply
- 3.3V supply voltage operation
- Hot insertion capable
- Industrial operating temperature: -40°C to +85°C
- ESD protection
  - 8kV per JESD22 test spec (HBM)
  - +/-4kV per IEC61000-4-2 spec (contact)
- Latch-up performance >250mA per JESD17
- Packaging (Pb-free & Green available):
  - 16-pin 150-mil wide plastic TSSOP (L)
  - 20-pin Very Thin Quad Flat, No lead TQFN (ZH)

**Description**

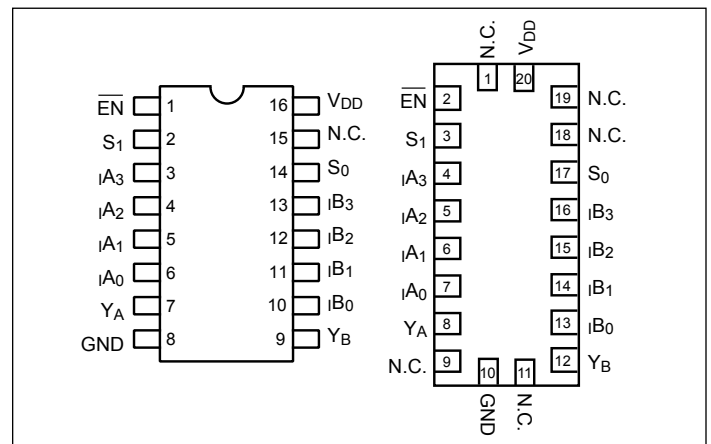
The PI3USB14-A is a 2-channel, 4:1 Multiplexer/Demultiplexer with 3-state outputs. The switch introduces no additional ground bounce noise or propagation delay.

The PI3USB14-A device is very useful in switching USB 2.0 signals and others that have high bandwidth (-3dB BW is 815MHz).

**Block Diagram**



**Pin Configuration**



Note: 1. N.C. = No internal connection

**Pin Description**

Pin Name	Description
IA <sub>N</sub> , IB <sub>N</sub>	Data Inputs
S <sub>0-1</sub>	Select Inputs
EN	Enable
Y <sub>A</sub> to Y <sub>B</sub>	Data Outputs
GND	Ground
V <sub>DD</sub>	Power

**Truth Table<sup>(1)</sup>**

Enable	Select		Y	Function
EN	S <sub>1</sub>	S <sub>0</sub>	Y	Function
H	X	X	Hi-Z	Disable
L	L	L	I0	S1-0 = 0
L	L	H	I1	S1-0 = 1
L	H	L	I2	S1-0 = 2
L	H	H	I3	S1-0 = 3

Note: 1. H=High Voltage Level; L=Low Voltage Level

**PI3USB14-A**

**Maximum Ratings**

(Above which the useful life may be impaired. For user guidelines, not tested.)

Storage Temperature .....	-65°C to +150°C
Ambient Temperature with Power Applied .....	-40°C to +85°C
Supply Voltage to Ground Potential .....	-0.5V to +4.6V
DC Input Voltage .....	-0.5V to +6.0V
DC Output Current.....	120mA
Power Dissipation .....	0.5W

**Note:**  
Stresses greater than those listed under MAXIMUM RATINGS may cause permanent damage to the device. This is a stress rating only and functional operation of the device at these or any other conditions above those indicated in the operational sections of this specification is not implied. Exposure to absolute maximum rating conditions for extended periods may affect reliability.

**DC Electrical Characteristics, 3.3V Supply**

(Over the Operating Range,  $T_A = -40^{\circ}\text{C}$  to  $+85^{\circ}\text{C}$ ,  $V_{DD} = 3.3\text{V} \pm 10\%$ )

Parameters	Description	Test Conditions <sup>(1)</sup>	Min.	Typ. <sup>(2)</sup>	Max.	Units
$V_{IH}$	Input HIGH Voltage	Guaranteed Logic HIGH Level	1.3			V
$V_{IL}$	Input LOW Voltage	Guaranteed Logic LOW Level			0.6	
$V_{IK}$	Clamp Diode Voltage	$V_{DD} = \text{Min.}, I_{IN} = -18 \text{ mA}$		-1.3	-1.8	
$I_{IH}$	Input HIGH Current	$V_{DD} = \text{Max.}, V_{IN} = V_{DD}$			$\pm 1$	$\mu\text{A}$
$I_{IL}$	Input LOW Current	$V_{DD} = \text{Max.}, V_{IN} = \text{GND}$			$\pm 1$	
$I_{OZH}$	High Impedance Output Current	$0 \leq Y, I_n \leq V_{DD}$			$\pm 1$	
$R_{ON}$	Switch On-Resistance <sup>(4)</sup>	$V_{DD} = \text{Min.}, -0.4\text{V} \leq V_{input} \leq 0.4\text{V}, I_{ON} = -40\text{mA}$		4	6	$\Omega$
		$0\text{V} \leq V_{input} \leq V_{DD}, I_{ON} = -40\text{mA}$		5	8	

**Capacitance** ( $T_A = 25^{\circ}\text{C}$   $f = 1 \text{ MHz}$ )

Parameters <sup>(5)</sup>	Description	Test Conditions	Typ.	Units
$C_{IN}$	Input Capacitance	$V_{IN} = 0\text{V}$	2.0	pF
$C_{OFF(IN)}$	In Capacitance, Switch Off		2.5	
$C_{OFF(Y)}$	Y Capacitance, Switch Off		4	
$C_{ON}$	Y/In Capacitance, Switch On		8	

**Notes**

- For Max. or Min. conditions, use appropriate value specified under Electrical Characteristics for the applicable device type.
- Typical values are at  $V_{DD} = 3.3\text{V}$ ,  $T_A = 25^{\circ}\text{C}$  ambient and maximum loading.
- Not more than one output should be shorted at one time. Duration of the test should not exceed one second.
- Measured by the voltage drop between Y and In pin at indicated current through the switch. On-Resistance is determined by the lower of the voltages on the two (Y, In) pins.
- This parameter is determined by device characterization but is not production tested.

**PI3USB14-A**

### Power Supply Characteristics

Parameters	Description	Test Conditions <sup>(1)</sup>	Min.	Typ. <sup>(2)</sup>	Max.	Units
I <sub>CC</sub>	Quiescent Power Supply Current	V <sub>DD</sub> = 3.6V, V <sub>IN</sub> = GND or V <sub>DD</sub>			60	μA

**Notes:**

1. For Max. or Min. conditions, use appropriate value specified under Electrical Characteristics for the applicable device.
2. Typical values are at V<sub>DD</sub> = 3.3V, +25°C ambient.
3. Per LVTTTL driven input (control inputs only); Y and In pins do not contribute to ICC. This parameter is guaranteed, but not production tested.

### Dynamic Electrical Characteristics Over the Operating Range

(T<sub>A</sub> = -40° to +85°, V<sub>DD</sub> = 3.3V ± 10%)

Parameter	Description	Test Condition	Min.	Typ.	Max.	Units
X <sub>TALK</sub>	Crosstalk	DR at 480Mbps, See Test Diagram		-35		dB
O <sub>IRR</sub>	Off-Isolation	DR at 480Mbps, See Test Diagram		-35		
BW	-3dB Bandwidth	See Test Diagram		815		MHz
IN	Insertion Loss	f = 240MHz, DR = 480Mbps		-0.5		dB

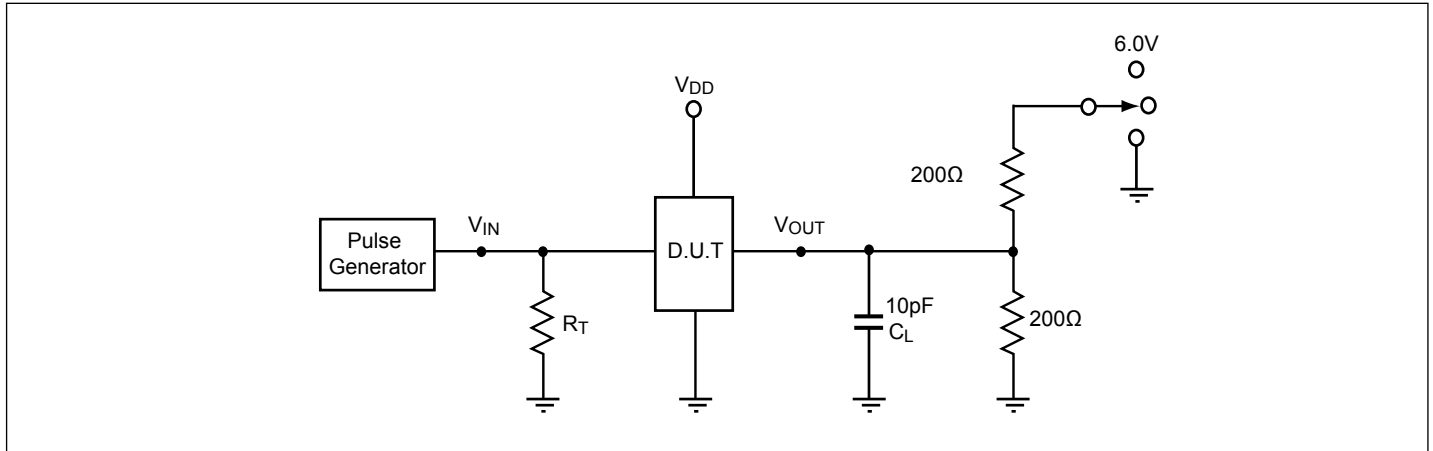
### Switching Characteristics over 3.3V Operating Range

Parameters	Description	Conditions <sup>(1)</sup>	Com.			Units
			Min.	Typ.	Max.	
t <sub>PLH</sub> t <sub>PHL</sub>	Propagation Delay <sup>(2,3)</sup> Y to In, In to Y	See Test Diagram			0.3	ns

**Notes:**

1. See test circuit and waveforms.
2. This parameter is guaranteed but not tested on Propagation Delays.
3. The switch contributes no propagational delay other than the RC delay of the ON resistance of the switch and the load capacitance. The time constant for the switch alone is of the order of 0.30ns for 10pF load. Since this time constant is much smaller than the rise/fall times of typical driving signals, it adds very little propagational delay to the system. Propagational delay of the switch when used in a system is determined by the driving circuit on the driving side of the switch and its interaction with the load on the driven side.

### Test Circuit for Electrical Characteristics<sup>(1)</sup>



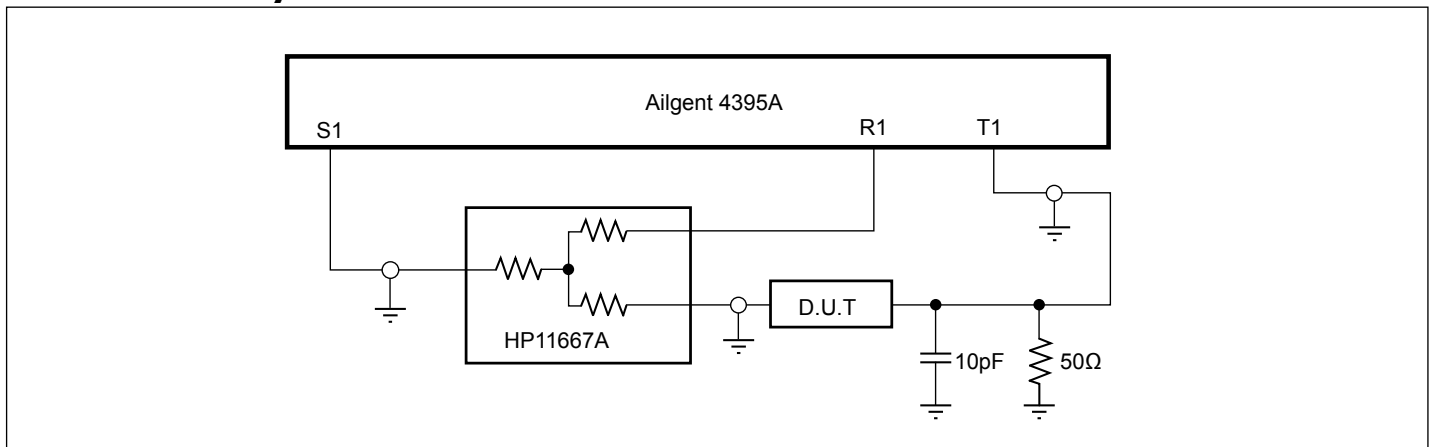
**Notes:**

1. CL = Load capacitance: includes jig and probe capacitance.
2. RT = Termination resistance: should be equal to ZOUT of the Pulse Generator
3. Waveform 1 is for an output with internal conditions such that the output is low except when disabled by the output control. Waveform 2 is for an output with internal conditions such that the output is high except when disabled by the output control.
4. All input impulses are supplied by generators having the following characteristics: PRR ≤ MHz, ZO = 50Ω, tR ≤ 2.5ns, tF ≤ 2.5ns.
5. The outputs are measured one at a time with one transition per measurement.

### Switch Positions

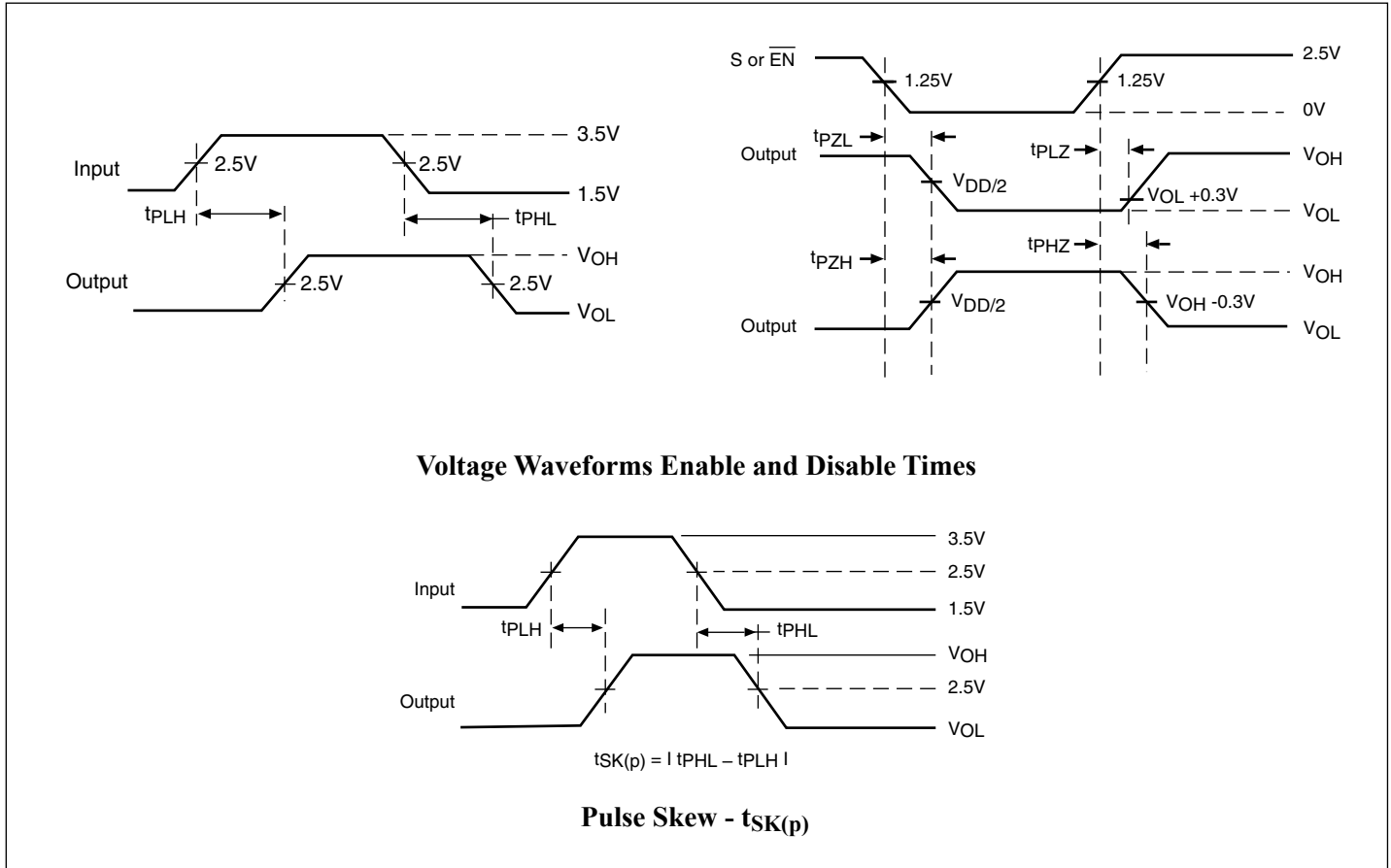
Test	Switch
t <sub>PLZ</sub> , t <sub>PZL</sub>	6.0V
t <sub>PHZ</sub> , t <sub>PZH</sub>	GND
Prop Delay	Open

### Test Circuit for Dynamic Electrical Characteristics



**PI3USB14-A**

**Switching Waveforms**



**Applications Information**

**Logic Inputs**

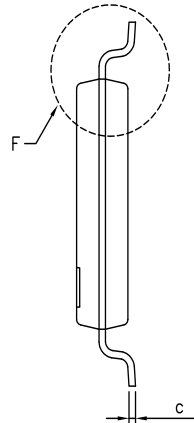
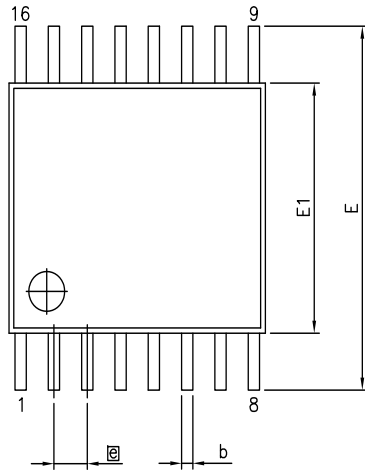
The logic control inputs can be driven up to 3.6V regardless of the supply voltage. For example, given a +3.3V supply,  $\overline{EN}$  maybe driven LOW to 0V and HIGH to 3.6V. Driving  $\overline{EN}$  Rail-to-Rail® minimizes power consumption.

**Power Supply-Sequencing**

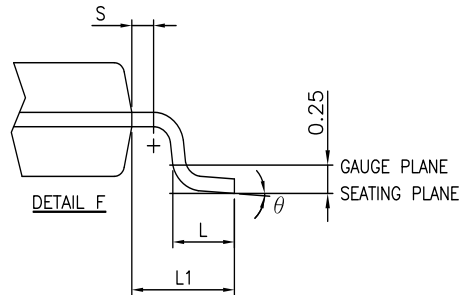
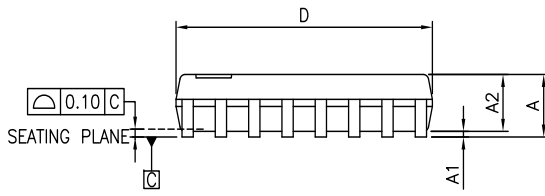
Proper power supply sequencing is recommended for all CMOS devices. Always apply VDD before applying signals to the input/output or control pins.

**PI3USB14-A**

**Packaging Mechanical: 16-pin TSSOP (L)**



SYMBOLS	MIN.	NOM.	MAX.
A	–	–	1.20
A1	0.05	–	0.15
A2	0.80	1.00	1.05
b	0.19	–	0.30
c	0.09	–	0.20
D	4.90	5.00	5.10
E1	4.30	4.40	4.50
E	6.20	6.40	6.60
e	0.65 BSC		
L1	1.00 REF		
L	0.45	0.60	0.75
S	0.20	–	–
$\theta$	0°	–	8°



**NOTES:**

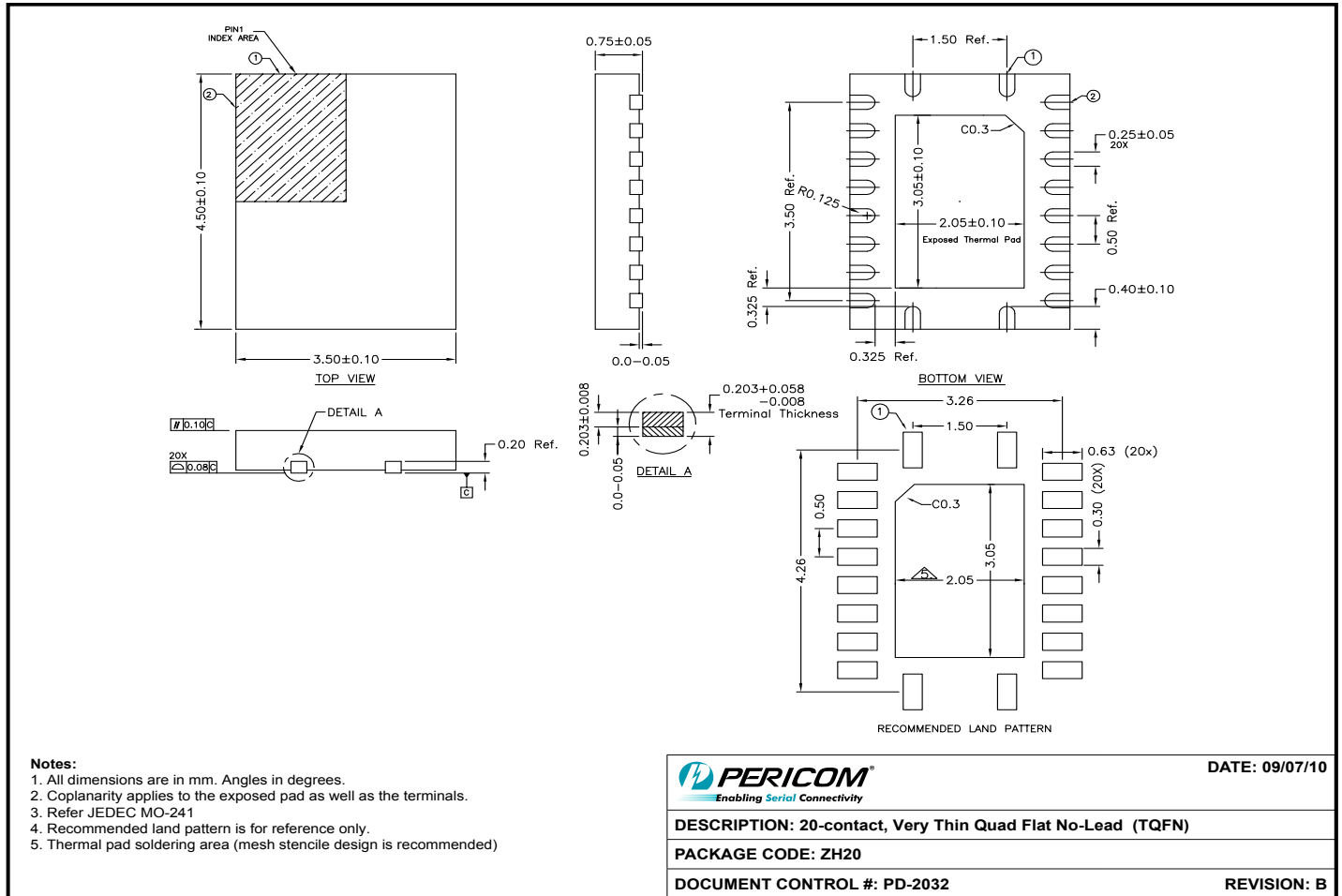
1. ALL DIMENSIONS IN MILLIMETERS. ANGLES IN DEGREES.
2. JEDEC MO-153F
3. DIMENSIONS DOES NOT INCLUDE MOLD FLASH, PROTRUSIONS OR GATE BURRS.

<b>PERICOM</b> Enabling Serial Connectivity	DATE: 03/24/16
DESCRIPTION: 16-Pin, 173mil Wide TSSOP	
PACKAGE CODE: L (L16)	
DOCUMENT CONTROL #: PD-1310	REVISION: G

16-0061

**PI3USB14-A**

**Packaging Mechanical: 20-pin TQFN (ZH)**



10-0159

Note: For latest package info, please check: <http://www.pericom.com/support/packaging/packaging-mechanicals-and-thermal-characteristics/>

**Ordering Information**

Ordering Code	Packaging Type	Package Description
PI3USB14-ALE	L	16-pin, 173-Mil Wide (TSSOP)
PI3USB14-ALEX	L	16-pin, 173-Mil Wide (TSSOP), Tape & Reel
PI3USB14-AZHE	ZH	20-pin, Very Thin Quad Flat - No lead (TQFN)
PI3USB14-AZHEX	ZH	20-pin, Very Thin Quad Flat - No lead (TQFN), Tape & Reel

**Notes:**

- Thermal characteristics can be found on the company web site at [www.pericom.com/packaging/](http://www.pericom.com/packaging/)
- "E" denotes Pb-free and Green
- Adding an "X" at the end of the ordering code denotes tape and reel packaging

**IMPORTANT NOTICE**

DIODES INCORPORATED MAKES NO WARRANTY OF ANY KIND, EXPRESS OR IMPLIED, WITH REGARDS TO THIS DOCUMENT, INCLUDING, BUT NOT LIMITED TO, THE IMPLIED WARRANTIES OF MERCHANTABILITY AND FITNESS FOR A PARTICULAR PURPOSE (AND THEIR EQUIVALENTS UNDER THE LAWS OF ANY JURISDICTION).

Diodes Incorporated and its subsidiaries reserve the right to make modifications, enhancements, improvements, corrections or other changes without further notice to this document and any product described herein. Diodes Incorporated does not assume any liability arising out of the application or use of this document or any product described herein; neither does Diodes Incorporated convey any license under its patent or trademark rights, nor the rights of others. Any Customer or user of this document or products described herein in such applications shall assume all risks of such use and will agree to hold Diodes Incorporated and all the companies whose products are represented on Diodes Incorporated website, harmless against all damages.

Diodes Incorporated does not warrant or accept any liability whatsoever in respect of any products purchased through unauthorized sales channel.

Should Customers purchase or use Diodes Incorporated products for any unintended or unauthorized application, Customers shall indemnify and hold Diodes Incorporated and its representatives harmless against all claims, damages, expenses, and attorney fees arising out of, directly or indirectly, any claim of personal injury or death associated with such unintended or unauthorized application.

Products described herein may be covered by one or more United States, international or foreign patents pending. Product names and markings noted herein may also be covered by one or more United States, international or foreign trademarks.

This document is written in English but may be translated into multiple languages for reference. Only the English version of this document is the final and definitive format released by Diodes Incorporated.

**LIFE SUPPORT**

Diodes Incorporated products are specifically not authorized for use as critical components in life support devices or systems without the express written approval of the Chief Executive Officer of Diodes Incorporated. As used herein:

A. Life support devices or systems are devices or systems which:

1. are intended to implant into the body, or

2. support or sustain life and whose failure to perform when properly used in accordance with instructions for use provided in the labeling can be reasonably expected to result in significant injury to the user.

B. A critical component is any component in a life support device or system whose failure to perform can be reasonably expected to cause the failure of the life support device or to affect its safety or effectiveness.

Customers represent that they have all necessary expertise in the safety and regulatory ramifications of their life support devices or systems, and acknowledge and agree that they are solely responsible for all legal, regulatory and safety-related requirements concerning their products and any use of Diodes Incorporated products in such safety-critical, life support devices or systems, notwithstanding any devices- or systems-related information or support that may be provided by Diodes Incorporated. Further, Customers must fully indemnify Diodes Incorporated and its representatives against any damages arising out of the use of Diodes Incorporated products in such safety-critical, life support devices or systems.

Copyright © 2016, Diodes Incorporated

[www.diodes.com](http://www.diodes.com)