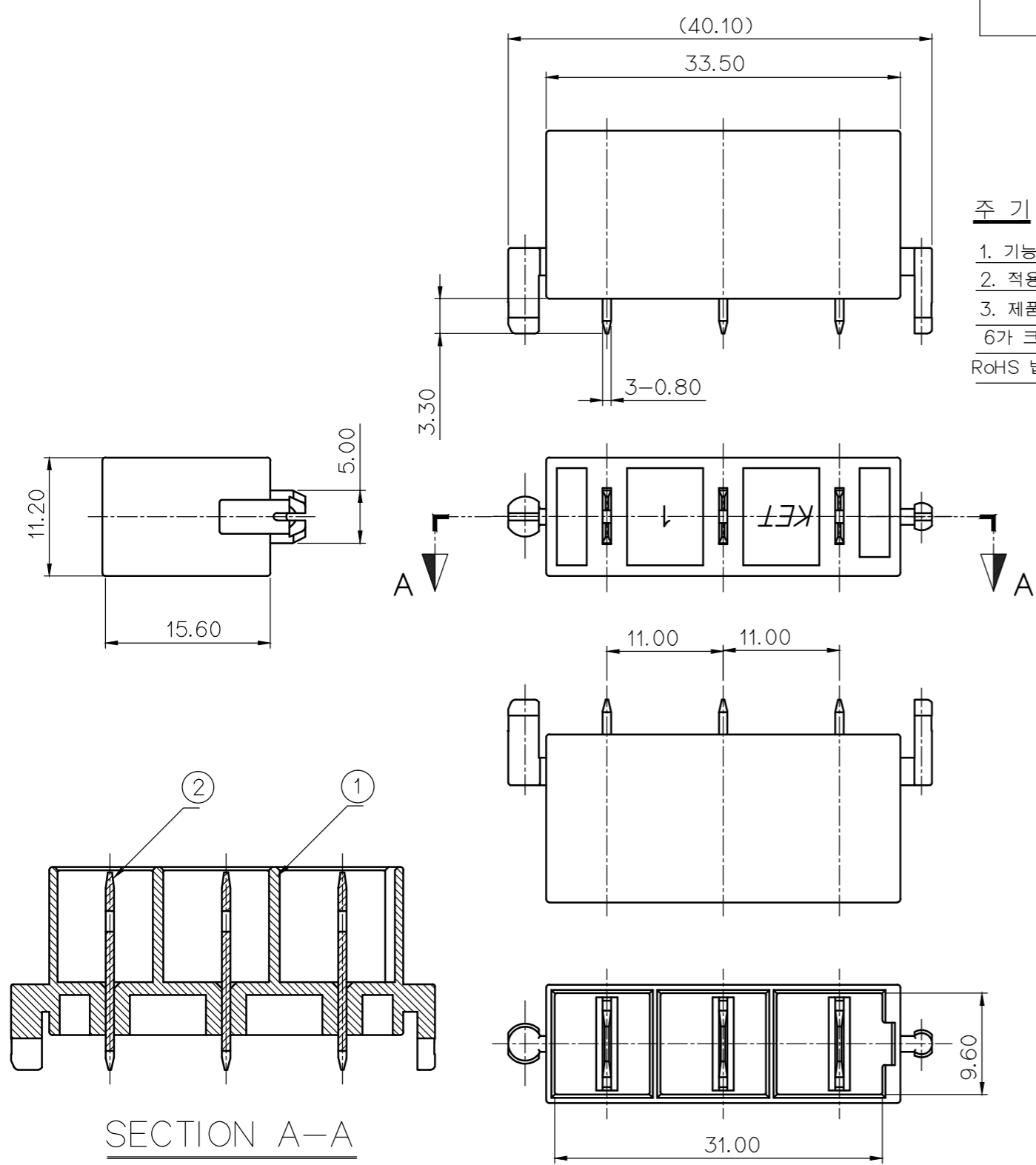
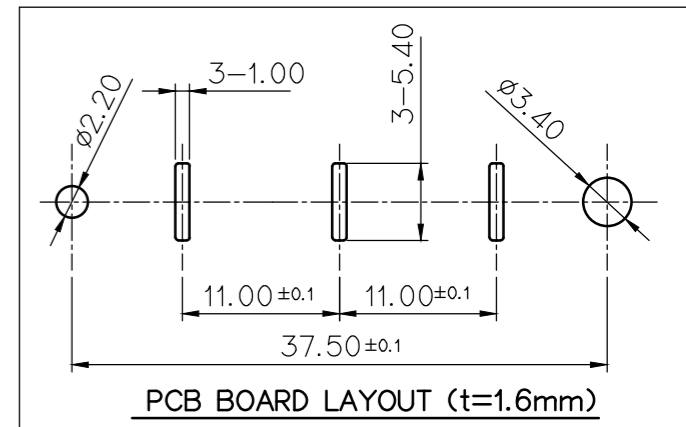
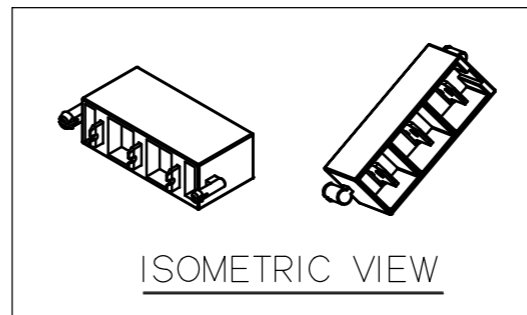


NO.	PART NO.	PART NAME	MATERIAL	FINISH
①	MG673367	.250 3P REC PCB. HS'G	PBT (VO)	NATURAL
②	P901944-2	.250 PCB TAB TM'L	BRASS	Sn후도금

GENERAL TOLERANCE (HOUSING)					USED ON
10MAX	20MAX	45MAX	ANGLE	ECCENT	
±0.2	±0.25	±0.3	±30'	0.1	



주 기

- 기능상 유해한 BURR 및 WELDLINE등이 없을것.
- 적용 HOUSING : MG613365
- 제품 내 함유된 6대 유해물질 (납, 수은, 카드뮴, 6가 크롬, PBBs, PBDEs)은 EU ELV 지침 및 RoHS 법규에서 지정한 최대 허용농도를 초과해서는 안 된다.

NOTE

- MUST BE FREE OF BURR, WELDLINE AND IMPERFECTION THAT AFFECT FUNCTION.
- APPLICABLE HOUSING :MG613365
- 6HAZARDOUS SUBSTANCES IN PARTS (Lead, Mercury, Cadmium, Hexavalent Chromium, PBBs, PBDEs) SHALL NOT EXCEED THE MAXIMUM PERMISSIBLE CONCENTRATION PRESCRIBED UNDER EU ELV DIRECTIVE & RoHS REGULATION

ISSUE MARK

				MATERIAL	SEE TABLE		KOREA ELECTRIC
				FINISH	SEE TABLE		TERMINAL CO., LTD.
				WIRE RANGE		CLASS	.250
				INSULATION		TYPE	
설계사양변경(S110128)근거 도면 재작성 LTR REVISION RECORD DR. HAK.'2004.07.16 CHK.	KSJ DR. 08.16	11.04.27 APP. 08.16	DATE 08.16	TOLERANCE EXCEPT AS NOTED SEE TABLE	SCALE 2/1	PART NO. MG 643366	PART NAME 250 3P PCB CONN'T ASS'Y