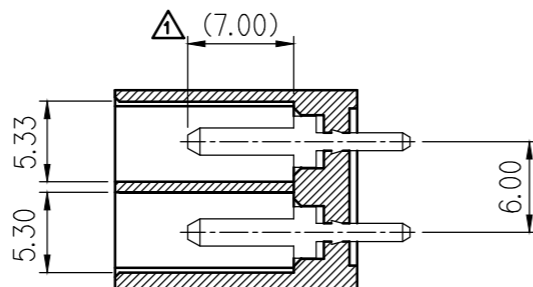
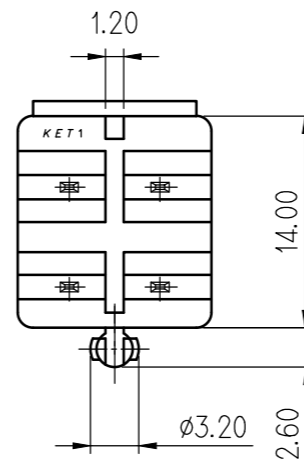
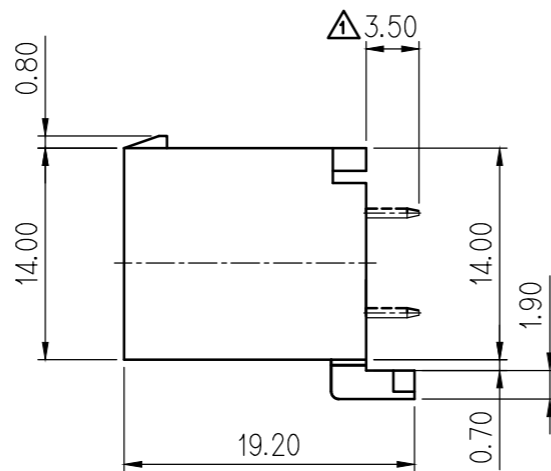
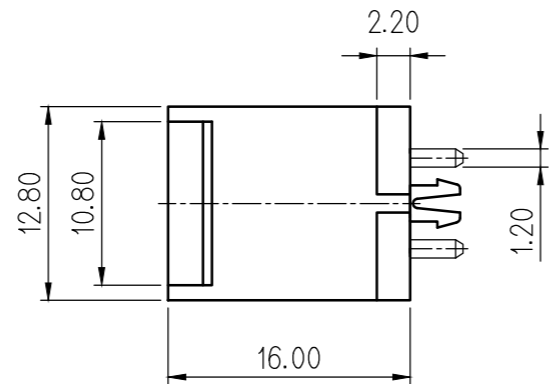
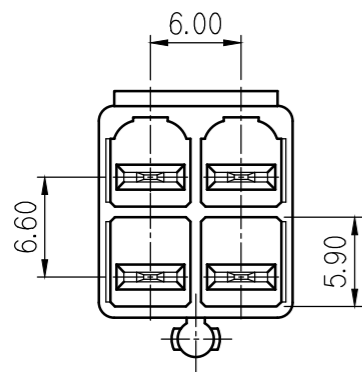


GENERAL TOLERANCE (HOUSING)							USED ON
10MAX	50MAX	100MAX	250MAX	250VR	ANGLE	ECCENT	
±0.2	±0.3	±0.55	±0.95	±1.4	±30'	0.1	




**주 기**

1. 기능상 유해한 FLASH, SINK, WELDLINE 등이 없을것.
2. 적용 HOUSING: MG610476, 610476R
3. 제품내 함유된 6대 유해물질 (납,수은,카드뮴,6가크롬, PBBs, PBDEs)은 EU ELV 지침 및 RoHS 법규에서 지정한 최대 허용 농도를 초과해서는 안된다.

**NOTE**

1. MUST BE FREE OF FLASH, SINK, WELDLINE AND IMPERFECTION THAT AFFECT FUNCTION.
2. APPLICABLE HOUSING : MG610476, 610476R
3. 6 HAZARDOUS SUBSTANCES IN PARTS (LEAD, MERCURY, CADMIUM, HEXAVALENT CHROMIUM, PBBs, PBDEs) SHALL NOT EXCEED THE MAXIMUM PERMISSIBLE CONCENTRATION PRESCRIBED UNDER EU ELV DIRECTIVE & RoHS REGULATION.

ISSUE MARK

					MATERIAL	NYLON, BRASS	 <b>KET</b> KOREA ELECTRIC TERMINAL CO., LTD.	
					FINISH	NATURAL, PRE-TIN		
⚠	실계사양변경(S110128)근거 도면 재작성	CHK.	APP.	DATE	WIRE RANGE	CLASS	SAMSUNG	
⚠	실계사양변경(S070231)근거 도면수정	PJM		'07.10.18	INSULATION	TYPE		
LTR	REVISION RECORD	DR.	CHK.	APP.	DATE	TOLERANCE EXCEPT AS NOTED	SCALE	PART NO.
DR.	HAN. '92.4.22	CHK.				SEE TABLE	2/1	MG640475
CHK.	S. w kw	APP.				PART NAME		
							1806 4M PCB CONN'T ASSY	