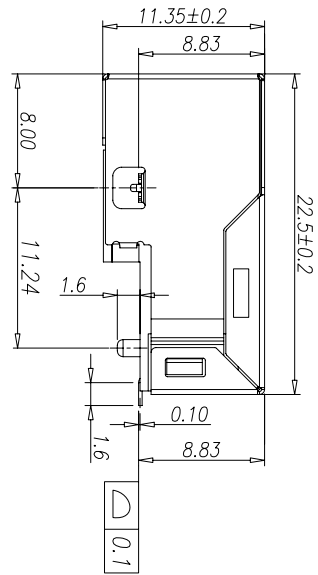
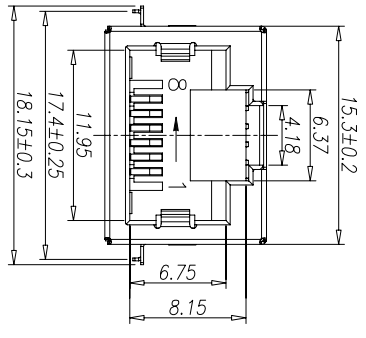


CATEGORY	DESCRIPTION	P/N #
CONNECTOR	RJ45 10/100Mbps 沉板 SMT	MJ6-BX11-RVS1T073-X

料号由原 MJ6-BX11-RVS1T073
变更为 MJ6-BX11-RVS1T073-X

REV.	ECN NO	DESCRIPTION	REVISED	DATE
A01		整理图面	XSY	2015.05.02
A02		新增包装选项	XSY	2016.05.02



MJ6-BX11-RVS1T073-X

Material & Plating	Terminal Plating
0 Au 1u" Plating	X
1 Au 3u" Plating	C
2 Au 6u" Plating	P
3 Au 15u" Plating	
4 Au 30u" Plating	
5 Au 50u" Plating	

包装方式	X
卷带包装	C
吸塑盒包装	P

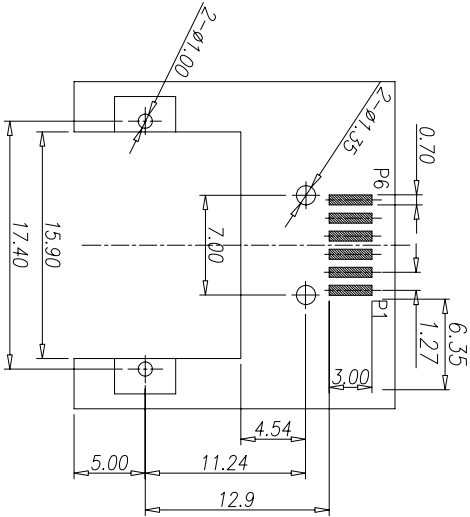
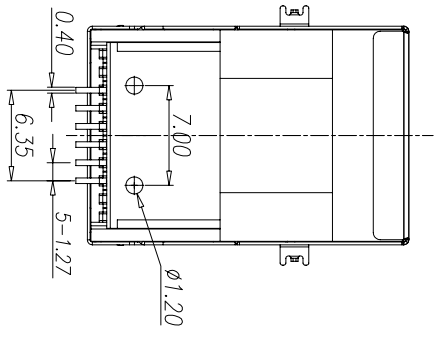
ELECTRICAL SPECIFICATIONS @ 25°C+/-5°C

Insertion Loss: 1-100MHz -1.0dB MAX
Return Loss: 1-30MHz -16.0dB MIN
30-60MHz -14.0dB MIN
60-80MHz -10.0dB MIN

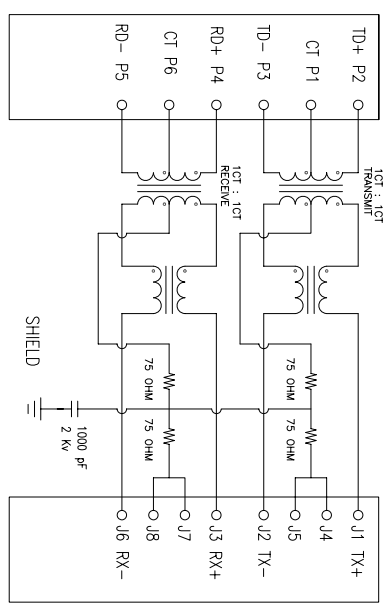
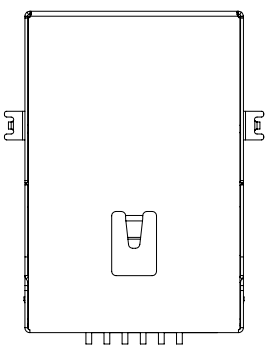
Cross Talk: 1-30MHz -40.0dB MIN
30-60MHz -35.0dB MIN
60-80MHz -30.0dB MIN

Turn Ratio: 1CT:1CT+/-3%

CMR: 1-100MHz -35.0dB MIN
Hi-Pot: 1000V AC 2S 1mA
OCL: 350uH MIN @ 100KHZ 100mV 8mA DC
Operating temperature range: 0°C to +70°C



Recommend PCB Layout
lack Top View



NO.	PART NAME	Q'TY	MATERIAL	PLATING & COLOR	Remark
e	SHELL	1	BRASS	NI PLATING	
d	SOLDER TERMINAL	6	BRASS	Motte-Tin PLATING	
c	CONTACT TERMINAL	8	PHOSPHOR BRONZE	AU PLATING	
b	COVER	1	LCP UL94V-0	BLACK	
a	HOUSING	1	LCP UL94V-0	BLACK	

UNLESS OTHERWISE SPECIFIED TOLERANCES

DECIMALS:	ANGLES:
X : ±0.5	X : ±2°
XX : ±0.3	XX : ±1°
XXX : ±0.2	

东莞市合陵电子有限公司
DongGuan Heling Electronic Co.,LTD

Connector

SCALE: 1/1 UNIT: mm DWG.NO: WI-161-065

SIZE: A3 PAGE: 1 OF 1 REV: A02

APPROVED BY: XSY CHECKED BY: XSY PREPARED BY: XSY

DICK

CUSTOMER COPY

4

3

2

1