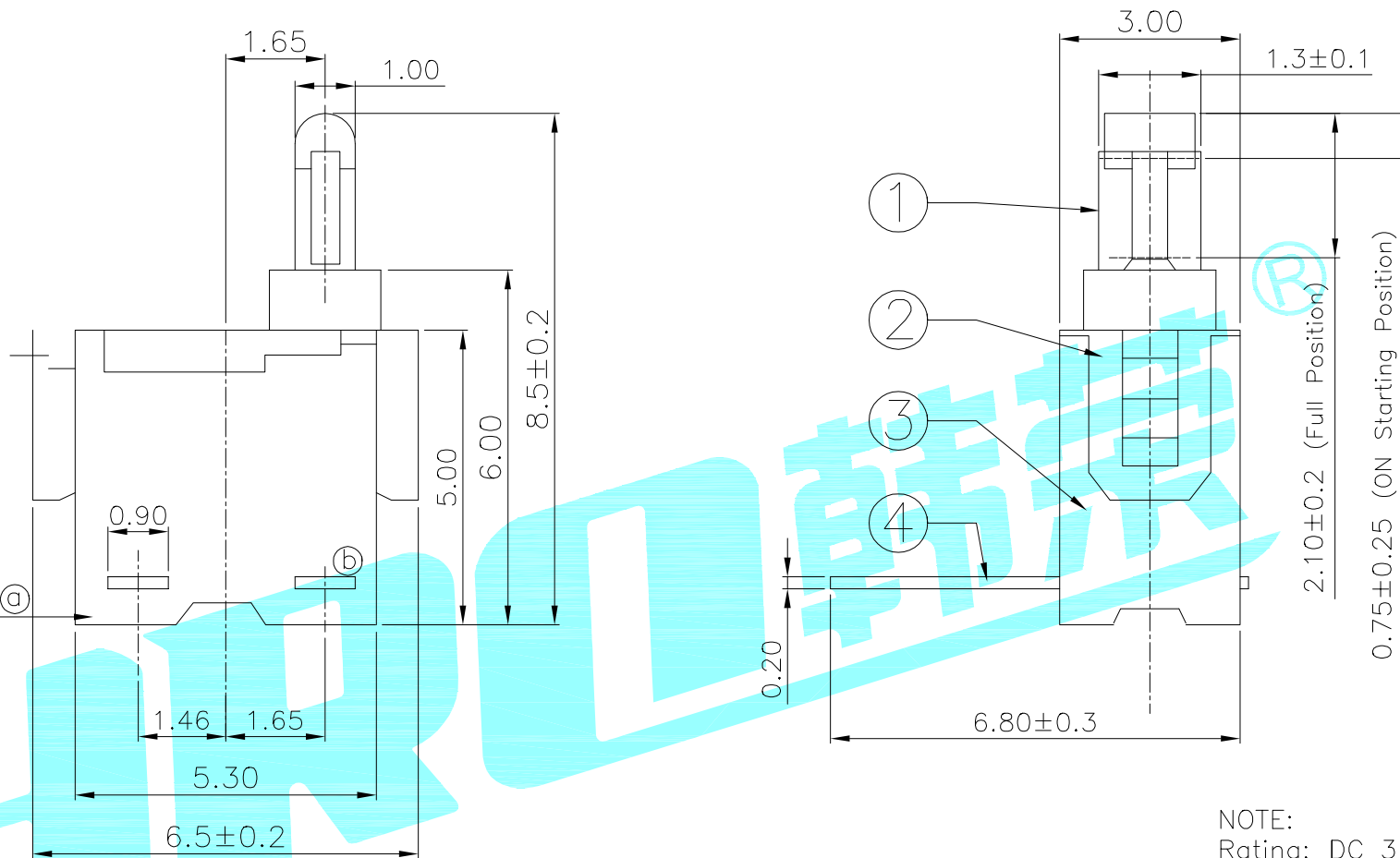
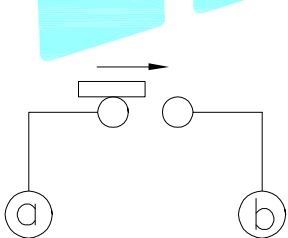


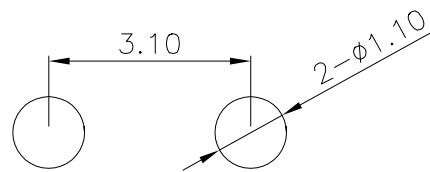
Terminal No. ①



NOTE:
 Rating: DC 30V 0.1A
 Operating Force: 45±15gf
 Lifetime: 50,000 Cycles



Circuit Diagram



PCB Layout(Pattern side)

ITEM	PART NAME	TER'NO.	QTY.	MATERIAL	FINISHING	REMARK
⑤	Contact Spring	—	1	Phosphor Bronze	Ag Plated	—
④	Terminal	—	2	Phosphor Bronze	Ag Plated	—
③	Base	—	1	NYLON	Black	—
②	Cover	—	1	NYLON	Black	—
①	Knob	—	1	NYLON	Black	—

APPROVALS		DATE		HROELECTRONICS CO.,LTD		
DRAWN	JKUN.LU	2018.08.01		TITLE:	DETECTOR SWITCHS	
CHECKED				PART NO.	K5-1130DF-□□	
APPROVALS				UNIT: mm	SCALE: 1:1	PROJ:
TOLERANCES ARE		30~以上	±0.30	ANGLE	DRAWING NO.	SHEET 1 OF 1
		10~30	±0.20			
		5~10	±0.15			
		~ 5	±0.10			

ECN NO.	REV.	DATE.	DESCRIPTION.	CHANGE.	CHECK.	APPRO.
—	A	—	NEW	—	—	—