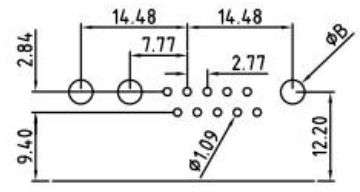
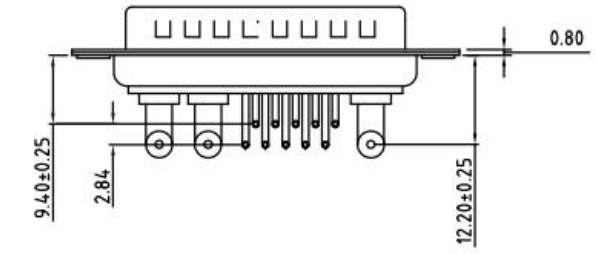
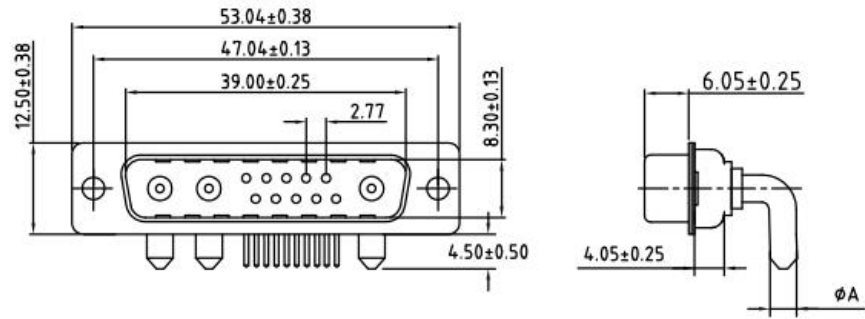


ROHS COMPLIANT

REV.	DESCRIPTION	DATE	ECN NO.
01	NEW DESIGN	2019/04/11	-



RECOMMENDED PCB LAYOUT

REMARKS:

1. MATERIALS AND FINISH

SHELL : STEEL MATERIAL, FRONT NICKEL FINISHED  
 BACK SHELL TIN FINISHED  
 INSULATOR : PBT THERMOPLASTIC, 30% GLASS  
 FILLED, UL 94V-0 RATED  
 CONTACT MATERIAL : BRASS  
 CONTACT FINISH : FULL GOLD FLASH

2. ELECTRICAL CHARACTERISTICS

SMALL CURRENT TERMINAL RATING : 5.0 AMPS; HIGH CURRENT TERMINAL RATING: 10~40AMPS  
 SMALL TERMINAL CONTACT RESISTANCE : 30 MILLIOHMS(MAX).  
 HIGH CURRENT TERMINAL CONTACT RESISTANCE: 2.7 MOHM(MAX).  
 DIELECTRIC WITHSTANDING VOLTAGE : 1000 V AC MIN.  
 INSULATION RESISTANCE : 5000 MEGAOHMS MIN.  
 TEMPERATURE RATING : -55°C ~ +125°C

Current Rating	Dimension	Dimension
	φ A	φ B
40 AMPS	φ3.75	φ4.20
30 AMPS	φ3.2	φ3.75
20 AMPS	φ2.8	φ3.28
10 AMPS	φ1.7	φ2.20

DRAWN:	JEFF.ZHOU	2019.04.11
CHECKED:	KEVIN.JIN	2019.04.11
APPROVED:	JINGUO.YANG	2019.04.11
	Sheet 1 of 1	Code 000
Dimensions in mm(inches)		Scale 1:1
TOLERANCE UNLESS SPECIFIED: .XX ± 0.13		Angles:±2°

东莞市讯捷电子科技有限公司

TITLE:  
13W3\_HIGH CURRENT CONNECTOR, MOUNTING BROAD TYPE

REV. 01 Part No: GDM13W3M-20A90°