

## Low Voltage Reference

A precision band-gap voltage reference designed for critical instrumentation and D/A converter applications. This unit is designed to work with D/A converters, up to 12 bits in accuracy, or as a reference for power supply applications.

- Output Voltage: 2.5 V  $\pm$  25 mV
- Input Voltage Range: 4.5 V to 40 V
- Quiescent Current: 1.2 mA Typical
- Output Current: 10 mA
- Temperature Coefficient: 10 ppm/ $^{\circ}$ C Typical
- Guaranteed Temperature Drift Specification
- Equivalent to AD580
- Standard 8-Pin DIP, and 8-Pin SOIC Package

### Typical Applications

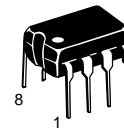
- Voltage Reference for 8 to 12 Bit D/A Converters
- Low  $T_C$  Zener Replacement
- High Stability Current Reference
- Voltmeter System Reference
- Pb-Free Package is Available

### MAXIMUM RATINGS ( $T_A = 25^{\circ}$ C, unless otherwise noted.)

Rating	Symbol	Value	Unit
Input Voltage	$V_I$	40	V
Storage Temperature	$T_{stg}$	-65 to 150	$^{\circ}$ C
Junction Temperature	$T_J$	+175	$^{\circ}$ C
Operating Ambient Temperature Range	$T_A$	-40 to +85	$^{\circ}$ C
MC1403B		0 to +70	$^{\circ}$ C
MC1403			

Maximum ratings are those values beyond which device damage can occur. Maximum ratings applied to the device are individual stress limit values (not normal operating conditions) and are not valid simultaneously. If these limits are exceeded, device functional operation is not implied, damage may occur and reliability may be affected.

### PRECISION LOW VOLTAGE REFERENCE

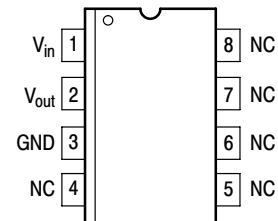


PDIP-8  
P1 SUFFIX  
CASE 626



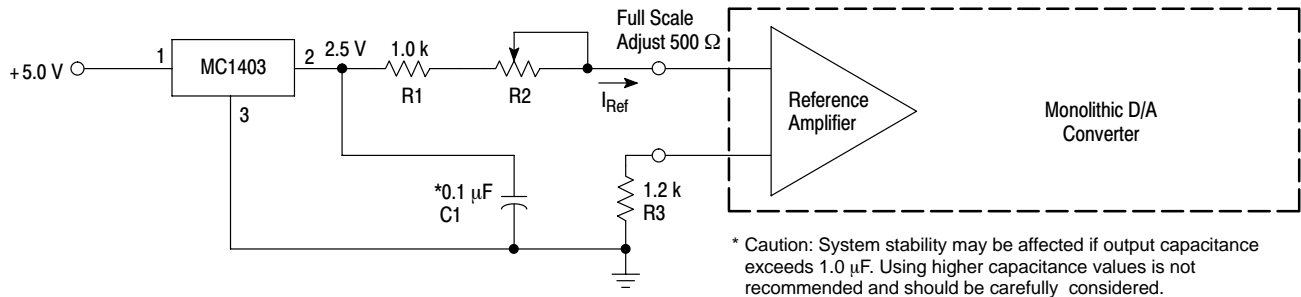
SOIC-8  
D SUFFIX  
CASE 751

### PIN CONNECTIONS



### ORDERING INFORMATION

See detailed ordering and shipping information in the package dimensions section on page 6 of this data sheet.



**Figure 1. A Reference for Monolithic D/A Converters**

**Providing the Reference Current for ON Semiconductor Monolithic D/A Converters**

The MC1403 makes an ideal reference for many monolithic D/A converters, requiring a stable current reference of nominally 2.0 mA. This can be easily obtained from the MC1403 with the addition of a series resistor, R1. A variable resistor, R2, is recommended to provide means for full-scale adjust on the D/A converter.

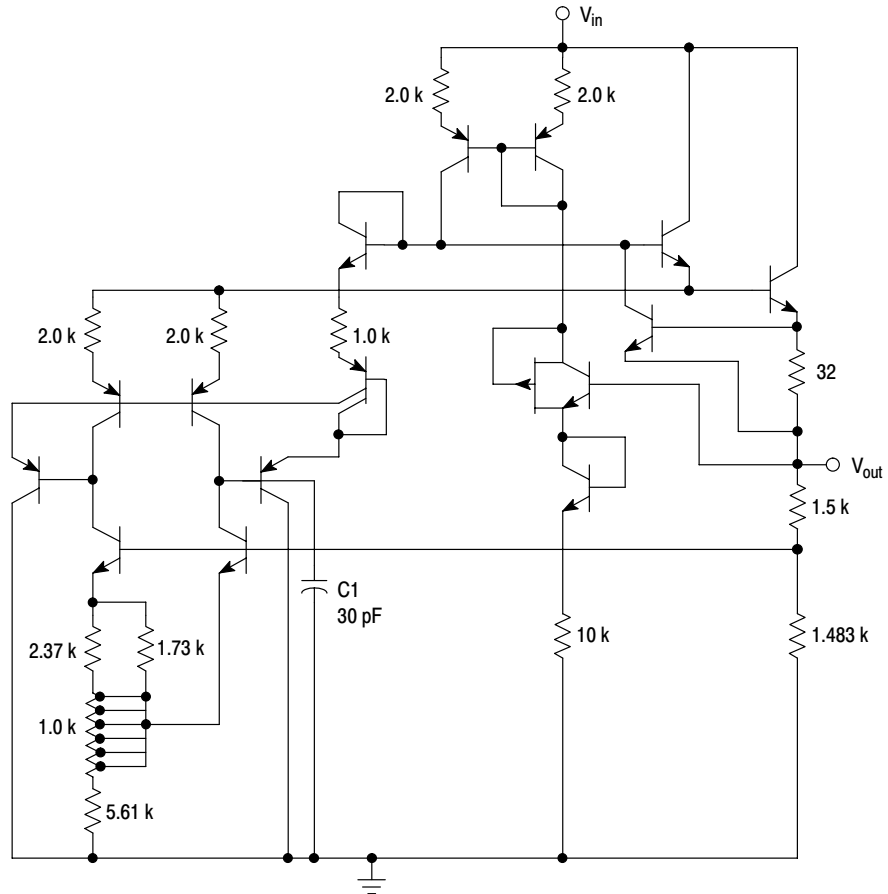
The resistor R3 improves temperature performance by matching the impedance on both inputs of the D/A reference amplifier. The capacitor decouples any noise present on the reference line. It is essential if the D/A converter is located any appreciable distance from the reference.

A single MC1403 reference can provide the required current input for up to five of the monolithic D/A converters.

**ELECTRICAL CHARACTERISTICS** ( $V_{in} = 15\text{ V}$ ,  $T_A = 25^\circ\text{C}$ , unless otherwise noted.)

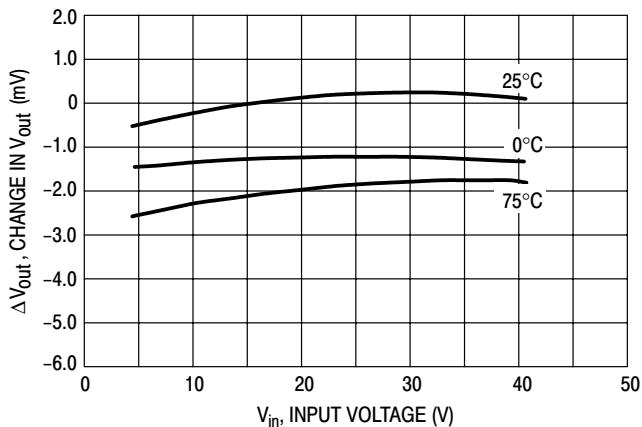
Characteristic	Symbol	Min	Typ	Max	Unit
Output Voltage ( $I_O = 0\text{ mA}$ )	$V_{out}$	2.475	2.5	2.525	V
Temperature Coefficient of Output Voltage* MC1403	$\Delta V_O / \Delta T$	-	10	40	ppm/ $^\circ\text{C}$
Output Voltage Change* (Over specified temperature range) MC1403 0 to $+70^\circ\text{C}$ MC1403B -40 to $+85^\circ\text{C}$	$\Delta V_O$	-	-	7.0 12.5	mV
Line Regulation ( $I_O = 0\text{ mA}$ ) ( $15\text{ V} \leq V_I \leq 40\text{ V}$ ) ( $4.5\text{ V} \leq V_I \leq 15\text{ V}$ )	$Reg_{line}$	-	1.2 0.6	4.5 3.0	mV
Load Regulation ( $0\text{ mA} < I_O < 10\text{ mA}$ )	$Reg_{load}$	-	-	10	mV
Quiescent Current ( $I_O = 0\text{ mA}$ )	$I_Q$	-	1.2	1.5	mA

\*Guaranteed but not tested.

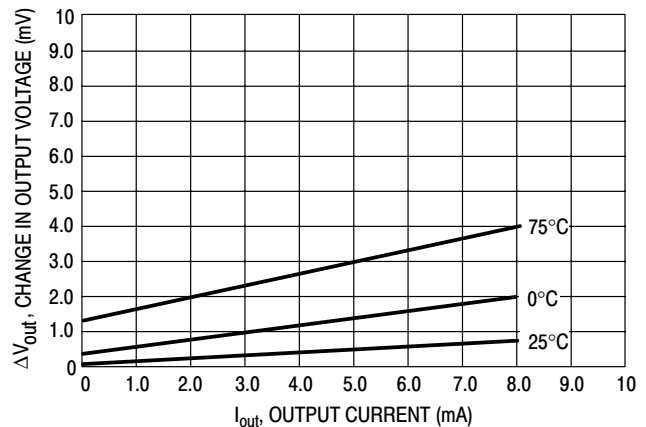


This device contains 15 active transistors.

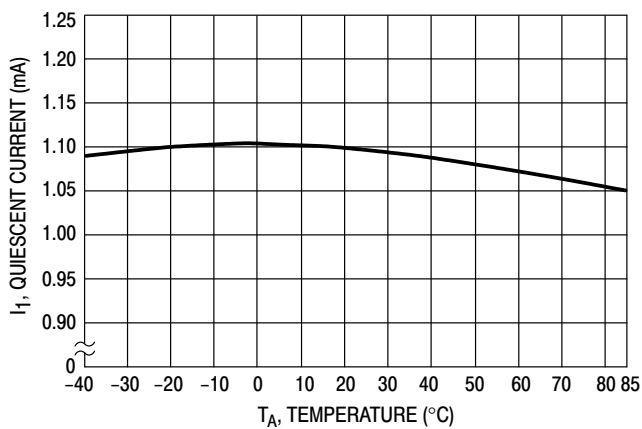
**Figure 2. MC1403, B Schematic**



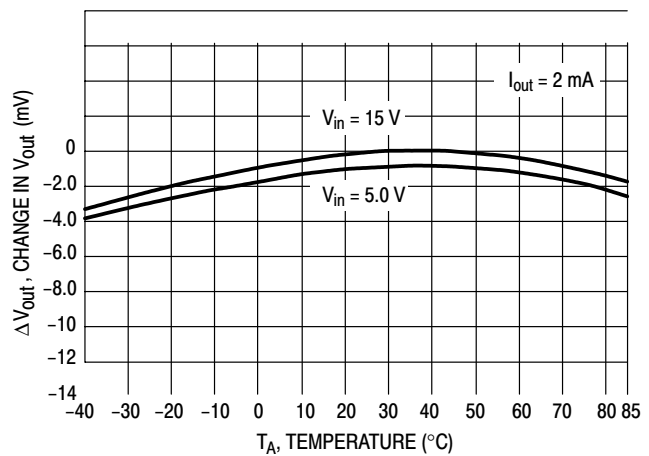
**Figure 3. Typical Change in  $V_{out}$  versus  $V_{in}$**   
(Normalized to  $V_{in} = 15\text{ V}$  @  $T_C = 25^\circ\text{C}$ )



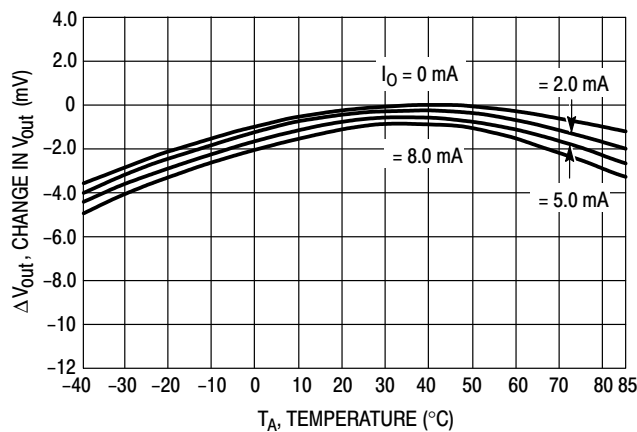
**Figure 4. Change in Output Voltage versus Load Current**  
(Normalized to  $V_{out}$  @  $V_{in} = 15\text{ V}$ ,  $I_{out} = 0\text{ mA}$ )



**Figure 5. Quiescent Current versus Temperature**  
( $V_{in} = 15\text{ V}$ ,  $I_{out} = 0\text{ mA}$ )



**Figure 6. Change in  $V_{out}$  versus Temperature**  
(Normalized to  $V_{out}$  @  $V_{in} = 15\text{ V}$ )



**Figure 7. Change in  $V_{out}$  versus Temperature**  
(Normalized to  $T_A = 25^\circ\text{C}$ ,  $V_{in} = 15\text{ V}$ ,  $I_{out} = 0\text{ mA}$ )

**3-1/2-Digit Voltmeter – Common Anode Displays, Flashing Overrange**

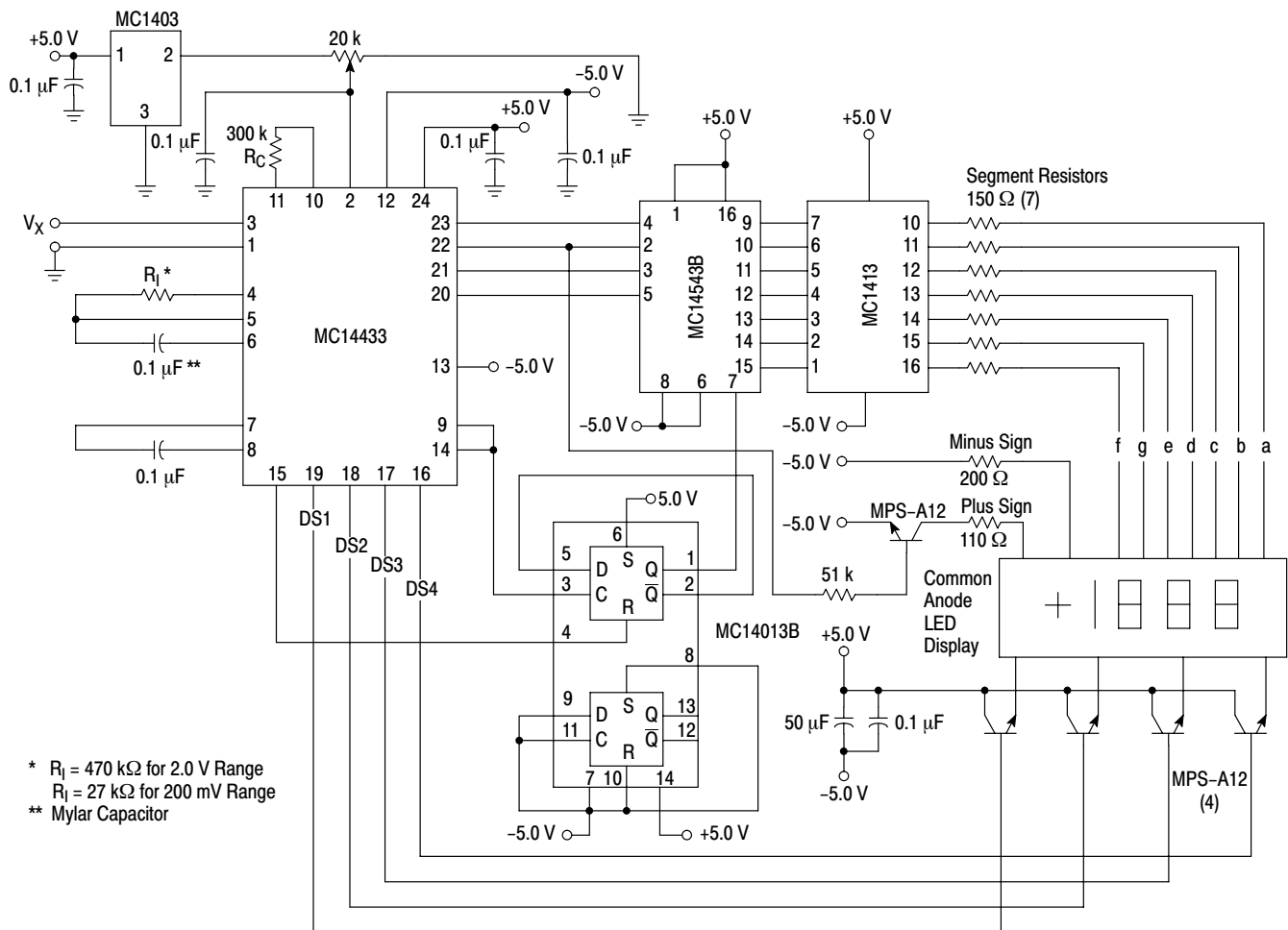
An example of a 3-1/2-digit voltmeter using the MC14433 is shown in the circuit diagram of Figure 8. The reference voltage for the system uses an MC1403 2.5 V reference IC. The full scale potentiometer can calibrate for a full scale of 199.9 mV or 1.999 V. When switching from 2.0 V to 200 mV operation,  $R_1$  is also changed, as shown on the diagram.

When using  $R_C$  equal to 300 k $\Omega$ , the clock frequency for the system is about 66 kHz. The resulting conversion time is approximately 250 ms.

When the input is overrange, the display flashes on and off. The flashing rate is one-half the conversion rate. This

is done by dividing the EOC pulse rate by 2 with 1/2 MC14013B flip-flop and blanking the display using the blanking input of the MC14543B.

The display uses an LED display with common anode digit lines driven with an MC14543B decoder and an MC1413 LED driver. The MC1413 contains 7 Darlington transistor drivers and resistors to drive the segments of the display. The digit drive is provided by four MPS-A12 Darlington transistors operating in an emitter-follower configuration. The MC14543B, MC14013B and LED displays are referenced to  $V_{EE}$  via Pin 13 of the MC14433. This places the full power supply voltage across the display. The current for the display may be adjusted by the value of the segment resistors shown as 150  $\Omega$  in Figure 8.



**Figure 8. 3-1/2-Digit Voltmeter**