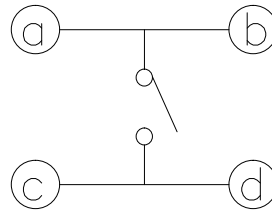
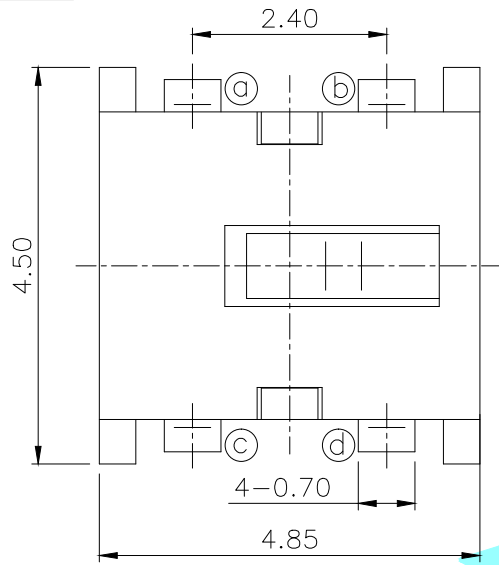
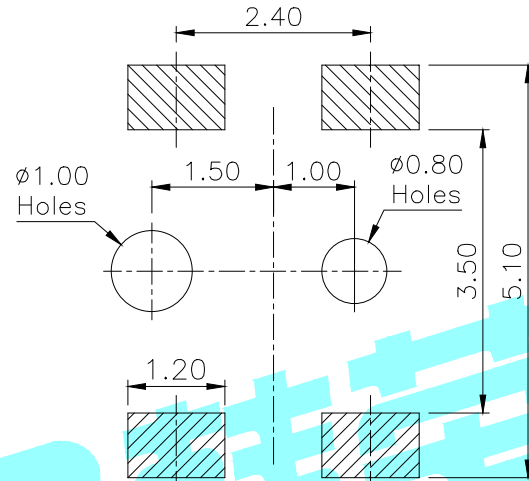


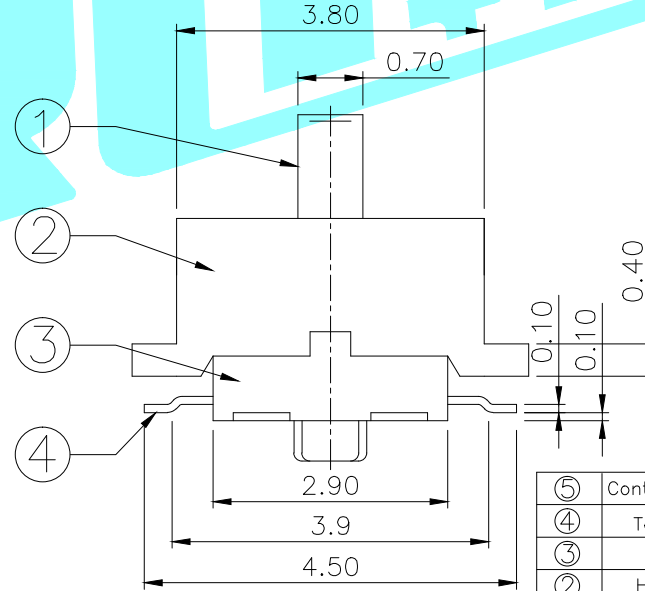
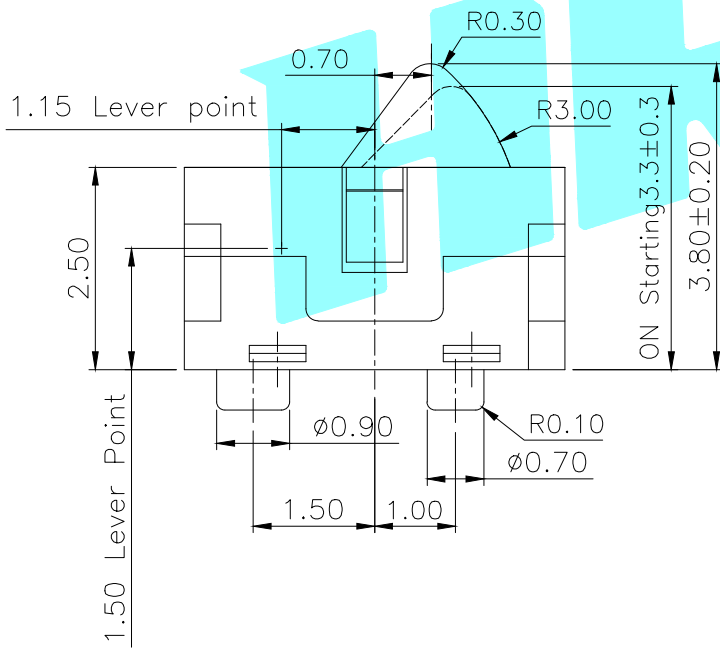
ROHS



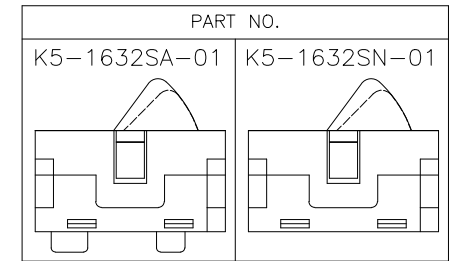
Circuit Diagram



PCB Layout(Pattern side)



NOTE:  
 Rating: DC 12V 50mA  
 Operating Force:  $20 \pm 10$ gf  
 Lifetime: 100,000 Cycles



⑤	Contact Spring	—	1	Phosphor Bronze	Ag Plated	—
④	Terminal	—	4	Phosphor Bronze	Ag Plated	—
③	Base	—	1	LCP	Black	—
②	Housing	—	1	LCP	Black	—
①	Slider	—	1	LCP	Black	—
ITEM	PART NAME	TER'NO.	QTY.	MATERIAL	FINISHING	REMARK

APPROVALS		DATE		 ELECTRONICS CO.,LTD		
DRAWN	LIUCAN	2021.4.29				
CHECKED				PART NO.		
APPROVALS				TOLERANCES ARE	ANGLE	UNIT: mm
		30~以上	$\pm 0.30$	$\pm 2'$	SCALE: 1:1	PROJ:
		10~30	$\pm 0.20$			
		5~10	$\pm 0.15$			
		~ 5	$\pm 0.10$			
DRAWING NO.				SHEET 1 OF 1		

ECN NO.	REV.	DATE.	DESCRIPTION.	CHANGE.	CHECK.	APPRO.
—	A	—	NEW	—	—	—