

BQ35100 Lithium Primary Battery Fuel Gauge and End-Of-Service Monitor

1 Features

- Fuel gauge and battery diagnostics for flow meter applications predict end-of-service or early battery failure
 - Supports lithium thionyl chloride (Li-SOCl₂) and lithium manganese dioxide (Li-MnO₂) chemistry batteries
 - Accurate voltage, temperature, current, and coulomb counter measurements that report battery health and service life
 - State-of-health (SOH) algorithm for Li-MnO₂
 - End-of-service (EOS) algorithm for Li-SOCl₂
 - Coulomb accumulation (ACC) algorithm for all battery types
- Ultra-low average power consumption to maximize battery run time
 - Gauge enabled through host-controlled periodic updates
 - State-of-health (SOH) ~0.06 μA
 - End-of-service (EOS) ~0.35 μA
 - Coulomb accumulation (ACC) diagnostic updates ~0.3 μA
- System interaction capabilities
 - I²C host communication, providing battery parameter and status access
 - Configurable host interrupt
 - Battery information data logging options for in operation diagnostics and failure analysis
 - SHA-1 authentication to help prevent counterfeit battery use

2 Applications

- Used in primary battery systems and suitable for dynamic load and large ambient temperature change applications
 - Smart meters and flow meters
 - Door access control
 - Smoke and gas leak detectors
 - Building automation
 - IoT, including sensor nodes
 - Asset tracking
- Battery status reporting and diagnostics with early failure detection for flow meter systems
- Extends battery runtime with accurate battery gauging for smoke detector, sensor node, and asset tracker applications

3 Description

The BQ35100 Battery Fuel Gauge and End-Of-Service Monitor provides highly configurable fuel gauging for non-rechargeable (primary) lithium batteries without requiring a forced discharge of the battery. Built so that optimization is not necessary to achieve accurate gauging, the BQ35100 device uses patented TI gauging algorithms to support the option to seamlessly replace an old battery with a new one.

The BQ35100 device provides accurate results with ultra-low average power consumption where less than 2 μA can be achieved through host control via the GAUGE ENABLE (GE) pin. The device is only required to be powered long enough, at a system-determined update frequency, to gather data and to make calculations to support the selected algorithm. A typical system may need to only be updated once every 8 hours as the gauge is not required to be powered to measure all discharge activity.

The fuel gauging functions use voltage, current, and temperature measurements to provide state-of-health (SOH) data and end-of-service (EOS) warning information where the host can read the gathered data through a 400-kHz I²C bus. An ALERT output, based on a variety of configurable status and data options, is also available to interrupt the host.

Device Information⁽¹⁾

PART NUMBER	PACKAGE	BODY SIZE (NOM)
BQ35100	TSSOP (14)	5.00 mm x 4.40 mm

(1) For all available packages, see the orderable addendum at the end of the data sheet.

Simplified Schematic

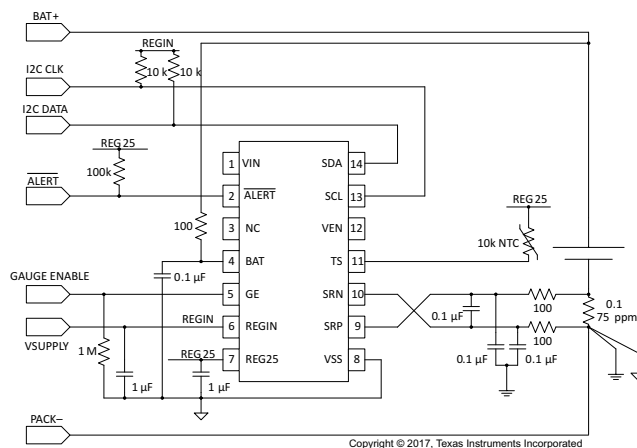


Table of Contents

<p>1 Features 1</p> <p>2 Applications 1</p> <p>3 Description 1</p> <p>4 Revision History 2</p> <p>5 Pin Configuration and Functions 4</p> <p>6 Specifications 5</p> <p> 6.1 Absolute Maximum Ratings 5</p> <p> 6.2 ESD Ratings 5</p> <p> 6.3 Recommended Operating Conditions 5</p> <p> 6.4 Thermal Information 6</p> <p> 6.5 Power Supply Current Static Modes 6</p> <p> 6.6 Digital Input and Outputs 6</p> <p> 6.7 Power-On Reset 7</p> <p> 6.8 LDO Regulator 7</p> <p> 6.9 Internal Temperature Sensor 7</p> <p> 6.10 Internal Clock Oscillators 7</p> <p> 6.11 Integrating ADC (Coulomb Counter) 7</p> <p> 6.12 ADC (Temperature and Voltage Measurements) ... 8</p> <p> 6.13 Data Flash Memory 8</p> <p> 6.14 I²C-Compatible Interface Timing Characteristics ... 8</p> <p> 6.15 Typical Characteristics 9</p>	<p>7 Detailed Description 10</p> <p> 7.1 Overview 10</p> <p> 7.2 Functional Block Diagram 10</p> <p> 7.3 Feature Description 10</p> <p> 7.4 Device Functional Modes 15</p> <p>8 Application and Implementation 17</p> <p> 8.1 Application Information 17</p> <p> 8.2 Typical Applications 17</p> <p>9 Power Supply Recommendations 21</p> <p>10 Layout 22</p> <p> 10.1 Layout Guidelines 22</p> <p> 10.2 Layout Example 22</p> <p> 10.3 ESD Spark Gap 24</p> <p>11 Device and Documentation Support 25</p> <p> 11.1 Documentation Support 25</p> <p> 11.2 Receiving Notification of Documentation Updates 25</p> <p> 11.3 Community Resources 25</p> <p> 11.4 Trademarks 25</p> <p> 11.5 Electrostatic Discharge Caution 25</p> <p> 11.6 Glossary 25</p> <p>12 Mechanical, Packaging, and Orderable Information 25</p>
--	---

4 Revision History

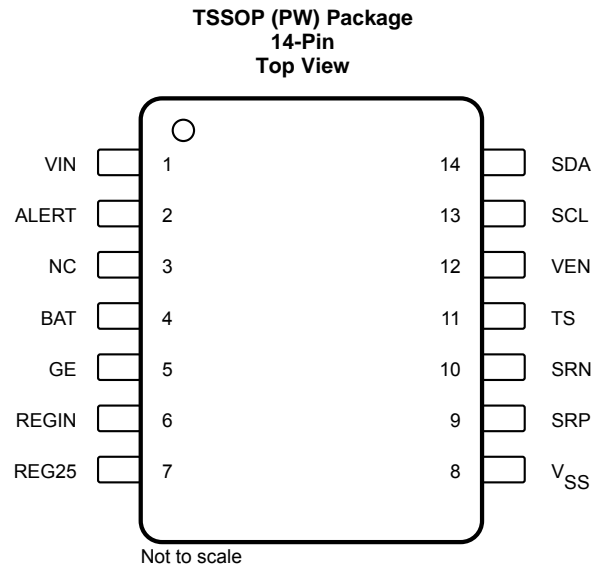
Changes from Revision D (May 2018) to Revision E	Page
• Corrected a typo in <i>Features</i>	1

Changes from Revision C (September 2017) to Revision D	Page
• Added further information to <i>Features</i> and <i>Applications</i>	1
• Changed <i>Recommended Operating Conditions</i>	5
• Added <i>Power Supply Current Static Modes</i>	6
• Changed <i>Basic Measurement Systems</i>	10
• Changed <i>Device Functional Modes</i>	15
• Added <i>EOS Mode Load Pulse Synchronization</i>	20
• Added <i>Benefits of the bq35100 Gauge Compared to Alternative Monitoring Techniques</i>	20

Changes from Revision B (September 2016) to Revision C	Page
• Changed <i>Features</i> , <i>Applications</i> , and <i>Description</i>	1
• Added <i>Preparation for Gauging</i>	18
• Changed <i>Detailed Design Procedure</i>	18
• Added <i>Using the bq35100 with a Battery and Capacitor in Parallel</i>	20

Changes from Revision A (July 2016) to Revision B	Page
• Changed <i>Device Information</i>	1
• Changed <i>Specifications</i>	5
• Changed <i>Application Curves</i>	21
• Changed V_{CC} to V_{REG25} in <i>Layout Guidelines</i>	22
• Changed V_{CC} to V_{REG25} in <i>Board Offset Considerations</i>	23

5 Pin Configuration and Functions



Pin Functions

NUMBER	NAME	I/O	DESCRIPTION
1	VIN	AI ⁽¹⁾	Optional voltage measurement input
2	$\overline{\text{ALERT}}$	O	Active low interrupt open-drain output. Requires an external pullup
3	NC	—	Not used and should be connected to V _{SS} .
4	BAT	P	Voltage measurement input and can be left floating or tied to V _{SS} if not used.
5	GE	I	Gauge enable. Internal LDO is disconnected from REGIN when driven low.
6	REGIN	P	Internal integrated LDO input. Decouple with 0.1- μ F ceramic capacitor to V _{SS} .
7	REG25	P	2.5-V output voltage of the internal integrated LDO. Decouple with 1- μ F ceramic capacitor V _{SS} .
8	V _{SS}	P	Device ground
9	SRP	I	Analog input pin connected to the internal coulomb-counter peripheral for integrating a small voltage between SRP and SRN where SRP is nearest the BAT– connection.
10	SRN	I	Analog input pin connected to the internal coulomb-counter peripheral for integrating a small voltage between SRP and SRN where SRN is nearest the PACK– connection.
11	TS	I	Pack thermistor voltage sense (use 103AT-type thermistor)
12	VEN	O	Optional open-drain external voltage divider control output
13	SCL	I	Slave I ² C serial communication clock input. Use with a 10-K pullup resistor (typical).
14	SDA	I/O	Open-drain slave I ² C serial communication data line. Use with a 10-k Ω pullup resistor (typical).

(1) P = Power Connection, O = Digital Output, AI = Analog Input, I = Digital Input, I/OD = Digital Input/Output

6 Specifications

6.1 Absolute Maximum Ratings

Over-operating free-air temperature range (unless otherwise noted)⁽¹⁾

		MIN	MAX	UNIT
V _{REGIN}	Regulator Input Range	-0.3	5.5	V
V _{REG25}	Supply Voltage Range	-0.3	2.75	V
V _{IOD}	Open-drain I/O pins (SDA, SCL, VEN)	-0.3	5.5	V
	Open-drain I/O pins (ALERT)	-0.3	2.75	V
V _{BAT}	BAT Input Pin	-0.3	5.5	V
V _I	Input voltage range (SRN, SRP, TS)	-0.3	V _{REG25} + 0.3	V
T _A	Operating free-air temperature range	-40	85	°C
T _F	Functional Temperature Range	-40	100	°C
T _{STG}	Storage temperature range	-65	150	°C
	Lead temperature (soldering, 10 s)	-40	100	°C

(1) Stresses beyond those listed under *absolute maximum ratings* may cause permanent damage to the device. These are stress ratings only, and functional operation of the device at these or any other conditions beyond those indicated under *Recommended Operating Conditions* is not implied. Exposure to absolute–maximum–rated conditions for extended periods may affect device reliability.

6.2 ESD Ratings

		VALUE	UNIT
V _(ESD)	Electrostatic discharge	Human Body Model (HBM), per ANSI/ESDA/JEDEC JS-001 ⁽¹⁾ , BAT pin	±1500
		Human Body Model (HBM), per ANSI/ESDA/JEDEC JS-001 ⁽¹⁾ , all other pins	±2000
		Charged-device model (CDM), per JEDEC specification JESD22-C101 ⁽²⁾	±500

(1) JEDEC document JEP155 states that 500-V HBM allows safe manufacturing with a standard ESD control process.

(2) JEDEC document JEP157 states that 250-V CDM allows safe manufacturing with a standard ESD control process.

6.3 Recommended Operating Conditions

T_A = -40°C to 85°C; Typical Values at T_A = 25°C C_{LDO25} = 1.0 μF, and V_{REGIN} = 3.6 V (unless otherwise noted)

			MIN	NOM	MAX	UNIT
V _{REGIN}	Supply Voltage	No operating restrictions	2.7		4.5	V
		No FLASH writes	2.45		2.7	V
C _{REGIN}	External input capacitor for internal LDO between REGIN and V _{SS}	Nominal capacitor values specified. Recommend a 10% ceramic X5R type capacitor located close to the device.		0.1		μF
C _{LDO25}	External output capacitor for internal LDO between V _{REG25}		0.47	1		μF
I _{CC_GELow} ⁽¹⁾	Gas gauge in Disabled mode	GE = Low		0.05		μA
I _{CC_ACC_AVE} ⁽¹⁾	Gas gauge in ACCUMULATOR mode average current	Update every 30 minutes otherwise GE = Low		0.3		μA
I _{CC_SOH_AVE} ⁽¹⁾	State-of-health average current	Update every 8 hours otherwise GE = Low		0.06		μA
I _{CC_EOS_AVE} ⁽¹⁾	End-of-service average current	Update every 8 hours 3- s Load Pulse otherwise GE = Low		0.35		μA
VA1	Input voltage range (VIN, TS)		V _{SS} - 0.05		1	V
VA2	Input voltage range (BAT)		V _{SS} - 0.125		5.0	V

(1) Not production tested

Recommended Operating Conditions (continued)

$T_A = -40^{\circ}\text{C}$ to 85°C ; Typical Values at $T_A = 25^{\circ}\text{C}$ $C_{\text{LDO25}} = 1.0 \mu\text{F}$, and $V_{\text{REGIN}} = 3.6 \text{ V}$ (unless otherwise noted)

		MIN	NOM	MAX	UNIT
VA3	Input voltage range (SRP, SRN)	$V_{\text{SS}} - 0.125$		0.125	V
ILKG	Input leakage current (I/O pins)			0.3	μA
t_{PUCD}	Power-up communication		250		ms

6.4 Thermal Information

THERMAL METRIC ⁽¹⁾		BQ35100			UNIT
		TSSOP (PW)			
		14 PINS			
$R_{\theta\text{JA, High K}}$	Junction-to-ambient thermal resistance		103.8		$^{\circ}\text{C/W}$
$R_{\theta\text{JC(top)}}$	Junction-to-case(top) thermal resistance		31.9		$^{\circ}\text{C/W}$
$R_{\theta\text{JB}}$	Junction-to-board thermal resistance		46.6		$^{\circ}\text{C/W}$
Ψ_{JT}	Junction-to-top characterization parameter		2.0		$^{\circ}\text{C/W}$
Ψ_{JB}	Junction-to-board characterization parameter		45.9		$^{\circ}\text{C/W}$
$R_{\theta\text{JC(bottom)}}$	Junction-to-case(bottom) thermal resistance		N/A		$^{\circ}\text{C/W}$

(1) For more information about traditional and new thermal metrics, see the *Semiconductor and IC Package Thermal Metrics* application report, [SPRA953](#).

6.5 Power Supply Current Static Modes

over operating free-air temperature range (unless otherwise noted)

PARAMETER		TEST CONDITIONS	MIN	TYP	MAX	UNIT
$I_{\text{CC_ACCU}}^{(1)}$	Gas gauge in ACCUMULATOR mode	GE = High AND <i>GaugeStart()</i> received and <i>GaugeStop()</i> not Received (GMSEL1,0 = 0,0)		130		μA
$I_{\text{CC_SOH}}^{(1)}$	State-of-health operating current	GE = High AND <i>GaugeStart()</i> received and <i>GaugeStop()</i> not Received (GMSEL1,0 = 0,1)		40		μA
$I_{\text{CC_EOS_Burst}}^{(1)}$	End-of-service operating current—data burst	GE = High AND <i>GaugeStart()</i> received and <i>GaugeStop()</i> not Received (GMSEL1,0 = 1,0)		315		μA
$I_{\text{CC_EOS_Gather}}^{(1)}$	End-of-service operating current—data gathering	GE = High AND <i>GaugeStart()</i> AND <i>GaugeStop()</i> Received (GMSEL1,0 = 1,0)		75		μA
$I_{\text{CC_GELOW}}^{(1)}$	Device Disabled	GE = LOW		0.05		μA

(1) Not production tested

6.6 Digital Input and Outputs

PARAMETER		TEST CONDITIONS	MIN	TYP	MAX	UNIT
V_{OL}	Output voltage low (SDA, SCL, VEN)	$I_{\text{OL}} = 3 \text{ mA}$			0.4	V
$V_{\text{OH(PP)}}$	Output high voltage	$I_{\text{OH}} = -1 \text{ mA}$	$V_{\text{REG25}} - 0.5$			V
$V_{\text{OH(OD)}}$	Output high voltage (SDA, SCL, VEN, ALERT)	External pullup resistor connected to V_{REG25}	$V_{\text{REG25}} - 0.5$			V
V_{IL}	Input voltage low (SDA, SCL)		-0.3		0.6	V
V_{IH}	Input voltage high (SDA, SCL)		1.2		5.5	V
$V_{\text{IL(GE)}}$	GE Low-level input voltage	$V_{\text{REGIN}} = 2.8 \text{ to } 4.5 \text{ V}$			0.8	V
$V_{\text{IH(GE)}}$	GE High-level input voltage		2.65			
I_{IKG}	Input leakage current (I/O pins)				0.3	μA

6.7 Power-On Reset

 $T_A = -40^{\circ}\text{C}$ to 85°C ; Typical Values at $T_A = 25^{\circ}\text{C}$ and $V_{\text{REGIN}} = 3.6\text{ V}$ (unless otherwise noted)

PARAMETER		TEST CONDITIONS	MIN	TYP	MAX	UNIT
$V_{\text{IT+}}$	Positive-going battery voltage input at REG25		2.05	2.20	2.31	V
V_{HYS}	Power-on reset hysteresis			115		mV

6.8 LDO Regulator

 $T_A = 25^{\circ}\text{C}$, $C_{\text{LDO25}} = 1.0\ \mu\text{F}$, $V_{\text{REGIN}} = 3.6\text{ V}$ (unless otherwise noted)⁽¹⁾

PARAMETER		TEST CONDITIONS	MIN	TYP	MAX	UNIT
V_{REG25}	Regulator output voltage	$2.7\text{ V} \leq V_{\text{REGIN}} \leq 4.5\text{ V}$, $I_{\text{OUT}} \leq 16\text{ mA}$ $T_A = -40^{\circ}\text{C}$ to 85°C	2.3	2.5	2.7	V
		$2.45\text{ V} \leq V_{\text{REGIN}} < 2.7\text{ V}$, $I_{\text{OUT}} \leq 3\text{ mA}$ $T_A = -40^{\circ}\text{C}$ to 85°C	2.3			
$I_{\text{SHORT}}^{(2)}$	Short circuit current limit	$V_{\text{REG25}} = 0\text{ V}$ $T_A = -40^{\circ}\text{C}$ to 85°C			250	mA

(1) LDO output current, I_{OUT} , is the sum of internal and external load currents.

(2) Specified by design. Not production tested.

6.9 Internal Temperature Sensor

 $T_A = -40^{\circ}\text{C}$ to 85°C , $2.4\text{ V} < \text{REG25} < 2.6\text{ V}$; Typical Values at $T_A = 25^{\circ}\text{C}$ and $\text{REG25} = 2.5\text{ V}$ (unless otherwise noted)

PARAMETER		TEST CONDITIONS	MIN	TYP	MAX	UNIT
G_{TEMP}	Internal temperature sensor voltage gain			-2		mV/ $^{\circ}\text{C}$

6.10 Internal Clock Oscillators

 $T_A = -40^{\circ}\text{C}$ to 85°C , $2.4\text{ V} < \text{REG25} < 2.6\text{ V}$; Typical Values at $T_A = 25^{\circ}\text{C}$ and $\text{REG25} = 2.5\text{ V}$ (unless otherwise noted)

PARAMETER		TEST CONDITIONS	MIN	TYP	MAX	UNIT
$f_{(\text{LOSC})}$	Operating frequency			32.768		kHz
$f_{(\text{OSC})}$	Operating frequency			2.097		MHz
$t_{(\text{SXO})}$	Start-up time ⁽¹⁾			2.5	5	ms

(1) The startup time is defined as the time it takes for the oscillator output frequency to be $\pm 3\%$.

6.11 Integrating ADC (Coulomb Counter)

 $T_A = -40^{\circ}\text{C}$ to 85°C , $2.4\text{ V} < \text{REG25} < 2.6\text{ V}$; Typical Values at $T_A = 25^{\circ}\text{C}$ and $\text{REG25} = 2.5\text{ V}$ (unless otherwise noted)

PARAMETER		TEST CONDITIONS	MIN	TYP	MAX	UNIT
$V_{(\text{SR})}$	Input voltage range, $V_{(\text{SRN})}$ and $V_{(\text{SRP})}$	$V_{(\text{SR})} = V_{(\text{SRN})} - V_{(\text{SRP})}$	-0.125		0.125	V
$t_{\text{SR_CONV}}$	Conversion time	Single conversion		1		s
	Resolution		14		15	bits
$V_{\text{OS}(\text{SR})}$	Input offset			10		μV
INL	Integral nonlinearity error			$\pm 0.007\%$		FSR ⁽¹⁾
$Z_{\text{IN}(\text{SR})}$	Effective input resistance ⁽²⁾		2.5			M Ω
$I_{\text{LKG}(\text{SR})}$	Input leakage current ⁽²⁾				0.3	μA

(1) Full-scale reference

(2) Specified by design. Not tested in production.

6.12 ADC (Temperature and Voltage Measurements)

 $T_A = -40^{\circ}\text{C}$ to 85°C , $2.4\text{ V} < \text{REG25} < 2.6\text{ V}$; Typical Values at $T_A = 25^{\circ}\text{C}$ and $\text{REG25} = 2.5\text{ V}$ (unless otherwise noted)

PARAMETER		TEST CONDITIONS	MIN	TYP	MAX	UNIT
$V_{\text{IN(BAT)}}$	BAT Input range		$V_{\text{SS}} - 0.125$		5	V
$V_{\text{IN(TSAT)}}$	TS Input range		$V_{\text{SS}} - 0.125$		V_{REG25}	V
$t_{\text{SR_CONV}}$	Conversion time	Single conversion		125		ms
	Resolution		14		15	bits
$V_{\text{OS(SR)}}$	Input offset			1		μV
Z_{ADC1}	Effective input resistance(TS) ⁽¹⁾	With internal pull-down activated	5			$\text{k}\Omega$
Z_{ADC2}	Effective input resistance(BAT) ⁽¹⁾	When not measuring	8			$\text{M}\Omega$
		During measurement		100		$\text{k}\Omega$
$I_{\text{LKG(ADC)}}$	Input leakage current ⁽¹⁾				0.3	μA

(1) Specified by design. Not tested in production.

6.13 Data Flash Memory

 $T_A = -40^{\circ}\text{C}$ to 85°C , $2.4\text{ V} < \text{REG25} < 2.6\text{ V}$; Typical Values at $T_A = 25^{\circ}\text{C}$ and $\text{REG25} = 2.5\text{ V}$ (unless otherwise noted)

PARAMETER	TEST CONDITIONS	MIN	TYP	MAX	UNIT
t_{DR}	Data retention ⁽¹⁾	10			Years
	Flash-programming write cycles ⁽¹⁾	20,000			Cycles
t_{WORDPROG}	Word programming time ⁽¹⁾			2	ms
I_{CCPROG}	Flash-write supply current ⁽¹⁾		5	10	mA

(1) Specified by design. Not tested in production.

6.14 I²C-Compatible Interface Timing Characteristics

 $T_A = -40^{\circ}\text{C}$ to 85°C , $2.45\text{ V} < V_{\text{REGIN}} = V_{\text{BAT}} < 5.5\text{ V}$; Typical Values at $T_A = 25^{\circ}\text{C}$ and $V_{\text{BAT}} = 3.6\text{ V}$ (unless otherwise noted)

		MIN	NOM	MAX	UNIT
t_{R}	SCL/SDA rise time			300	ns
t_{F}	SCL/SDA fall time			300	ns
$t_{\text{W(H)}}$	SCL pulse width (high)	600			ns
$t_{\text{W(L)}}$	SCL pulse width (low)	1.3			μs
$t_{\text{SU(STA)}}$	Setup for repeated start	600			ns
$t_{\text{d(STA)}}$	Start to first falling edge of SCL	600			ns
$t_{\text{SU(DAT)}}$	Data setup time	100			ns
$t_{\text{h(DAT)}}$	Data hold time	0			ns
$t_{\text{SU(STOP)}}$	Setup time for stop	600			ns
t_{BUF}	Bus free time between stop and start	66			μs
f_{SCL}	Clock frequency			400	kHz

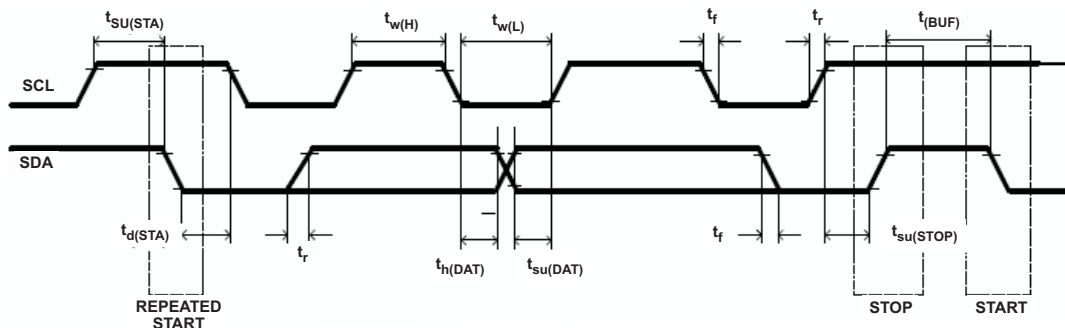
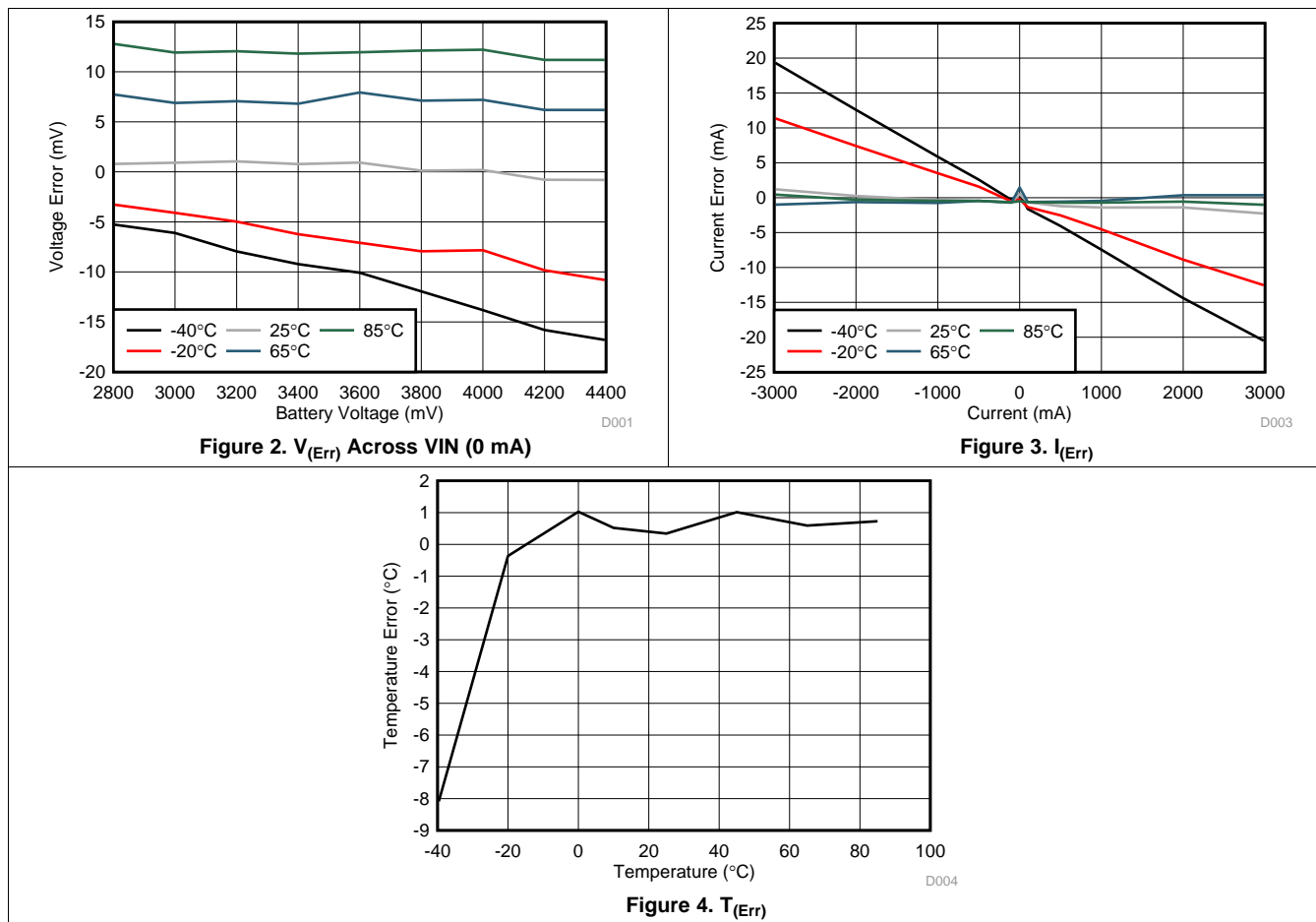


Figure 1. I²C-Compatible Interface Timing Diagrams

6.15 Typical Characteristics

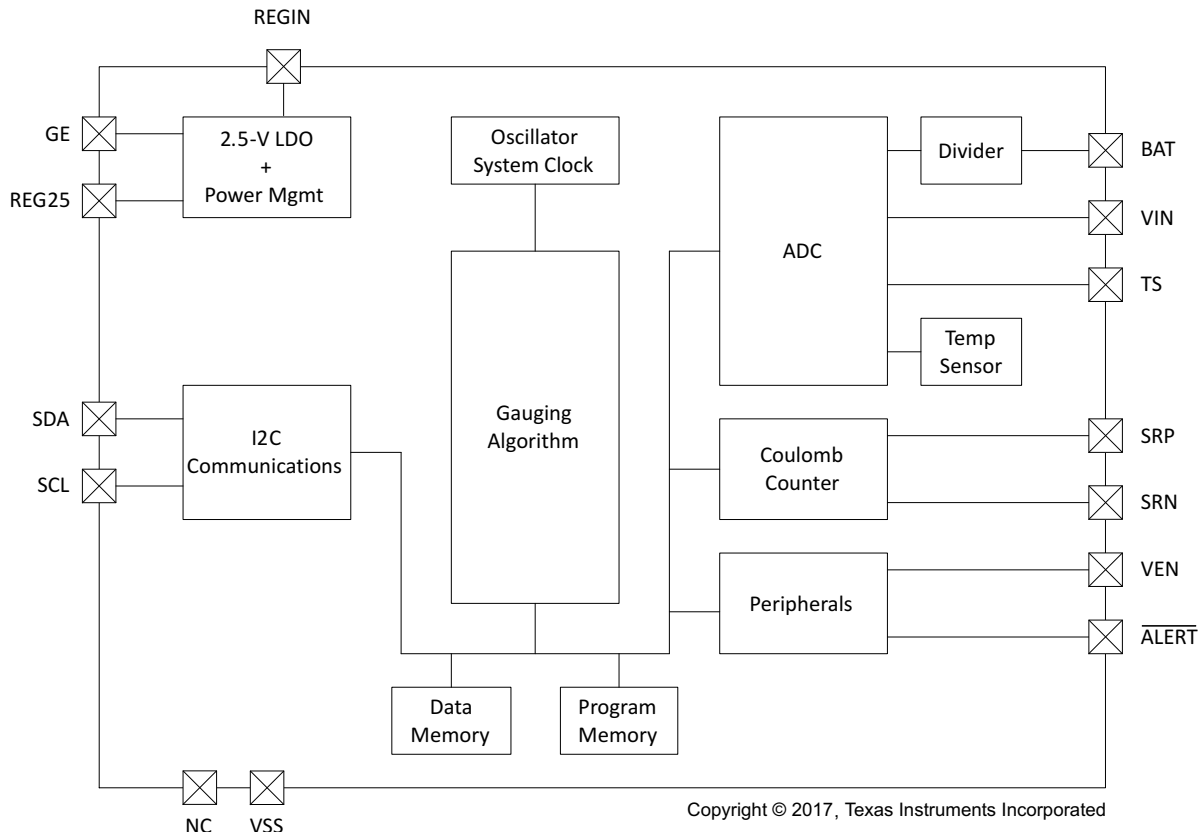


7 Detailed Description

7.1 Overview

The BQ35100 Battery Fuel Gauge and End-Of-Service Monitor provides gas gauging for lithium thionyl chloride (Li-SOCl₂) and lithium manganese dioxide (Li-MnO₂) primary batteries without requiring any forced discharge of the battery. The lithium primary gas gauging function uses voltage, current, and temperature data to provide state-of-health (SOH) and end-of-service (EOS) data.

7.2 Functional Block Diagram



7.3 Feature Description

7.3.1 Basic Measurement Systems

7.3.1.1 Voltage

The device measures the BAT input using the integrated delta-sigma ADC, which is scaled by the internal translation network, through the ADC. The translation gain function is determined by a calibration process.

In systems where the battery voltage is greater than $V_{IN(BAT) MAX}$ (for example, 2-series cell or more), then an external voltage scaling circuit is required. The firmware then scales this $<1 V$ value to reflect an average cell value and then again by the number of series cells to reflect the full battery voltage value.

7.3.1.2 Temperature

The device can measure temperature through an integrated temperature sensor or an external NTC thermistor using the integrated delta-sigma ADC. Only one source can be used and the selection is made by setting **Operation Config A [TEMPS]** appropriately. The resulting measured temperature is available through the `Temperature()` command. The internal temperature sensor result is also available through the `InternalTemperature()` command.

Feature Description (continued)

7.3.1.3 Coulombs

The integrating delta-sigma ADC (coulomb counter) in the device measures the discharge flow of the battery by measuring the voltage drop across a small-value sense resistor between the SRP and SRN pins.

The 15-bit integrating ADC measures bipolar signals from -0.125 V to 0.125 V. The device continuously monitors the measured current and integrates this value over time using an internal counter.

7.3.1.4 Current

For the primary battery current, the integrating delta-sigma ADC in the device measures the discharge current of the battery by measuring the voltage drop across a small-value sense resistor between the SRP and SRN pins, and is available through the *Current()* command.

The measured current also includes the current consumed by the device. To subtract this value from the reported current, a value programmed in **EOS Gauge Load Current** is subtracted for improved accuracy.

7.3.2 Battery Gauging

The BQ35100 device can operate in three distinct modes: ACCUMULATOR (ACC) mode, STATE-OF-HEALTH (SOH) mode, and END-OF-SERVICE (EOS) mode. The device can be configured and used for only one of these modes in the field, as it is not intended to be able to actively switch between modes when in normal use.

7.3.2.1 ACCUMULATOR (ACC) Mode

In this mode, the BQ35100 device measures and updates cell voltage, cell temperature, and load current every 1 s. This data is provided through the I²C interface while *ControlStatus()[GA]* is set. To begin accumulation, the *GAUGE_START* command should be sent, and when accumulation ends, the *GAUGE_STOP* command should be sent. To ensure that no data is lost, the host should wait until *G_DONE* is set before powering down the device.

7.3.2.2 STATE-OF-HEALTH (SOH) Mode

This mode is suitable for determining SOH for lithium manganese dioxide (Li-MnO₂) chemistry. In this mode, cell voltage and temperature are precisely measured immediately after the GE pin is asserted. The gauge uses this data to compute SOH. Once the initial update occurs and the host reads the updated SOH, then the device can be powered down.

7.3.2.2.1 Low State-of-Health Alert

BatteryStatus()[SOH_LOW] is set when *StateOfCharge()* is less than or equal to the value programmed in **SOHLOW**.

7.3.2.3 END-OF-SERVICE (EOS) Mode

This mode is suitable for gauging lithium thionyl chloride (Li-SOCl₂) cells. The end-of-service (EOS) gauging algorithm uses voltage, current, and temperature data to determine the resistance (R) and rate of change of resistance of the battery. The resistance data is then used to find Depth of Discharge (DOD) = DOD(R). As above, SOH is determined and in turn used to determine the EOS condition.

7.3.2.3.1 Initial EOS Learning

For optimal accuracy, the first event where the device updates its impedance value is required to be when the battery is full (a fresh battery). If the battery is partially discharged, then the accuracy of the EOS detection is compromised.

When a new battery is inserted, then the *NEW_BATTERY()* command should be sent to the device to ensure the initial learned resistance **RNEW** is refreshed correctly.

7.3.2.3.1.1 End-Of-Service Detection

The BQ35100 device can detect when a sharp increase in the trend of tracked impedance occurs, indicating that the battery is reaching its EOS condition.

Feature Description (continued)

7.3.3 Power Control

The BQ35100 device only has one active power mode that is enabled through the GAUGE ENABLE (GE) pin. The power consumption of the BQ35100 device can change significantly based on host commands it receives and its default configuration, specifically with respect to data flash updates.

For information on how to configure the device to influence the average power consumption, see the *Power Control* section in the *BQ35100 Technical Reference Manual* ([SLUUBH1](#)).

7.3.4 Battery Condition Warnings

7.3.4.1 Battery Low Warning

The BQ35100 device can indicate and optionally trigger the $\overline{\text{ALERT}}$ pin when the primary battery voltage falls below a programmable threshold.

7.3.4.2 Temperature Low Warning

The BQ35100 device can indicate and optionally trigger the $\overline{\text{ALERT}}$ pin when the primary battery temperature falls below a programmable threshold.

7.3.4.3 Temperature High Warning

The BQ35100 device can indicate and optionally trigger the $\overline{\text{ALERT}}$ pin when the primary battery temperature rises above a programmable threshold.

7.3.4.4 Battery Low SOH Warning

The BQ35100 device can indicate and optionally trigger the $\overline{\text{ALERT}}$ pin when the primary battery state-of-health (SOH) falls below a programmable threshold.

7.3.4.5 Battery EOS OCV BAD Warning

The device assumes that when GE is asserted the cell is at rest and uses the initialization voltage reading to determine the Open Circuit Voltage (OCV). If the cell were not fully relaxed at that point, then the voltage after the pulse could rise above the OCV. This causes an incorrect impedance to be calculated.

7.3.5 $\overline{\text{ALERT}}$ Signal

The $\overline{\text{ALERT}}$ signal can be configured to be triggered by a variety of status conditions. When the **ALERT Configuration** bit is set AND the corresponding bit in *BatteryStatus()* or *ControlStatus()* is set, then the corresponding *BatteryAlert()* bit is set, triggering the $\overline{\text{ALERT}}$ signal.

7.3.6 Lifetime Data Collection

The BQ35100 device can be enabled by writing to *Control()* 0x002E [*LT_EN*] to gather data regarding the primary battery and store it to data flash.

The following data is collected in RAM and only written to DF when the host sends the *End* command to the device:

- Max and Min Cell Voltage
- Max and Min Discharge Current
- Max and Min Temperature

7.3.7 SHA-1 Authentication

As of March 2012, the latest revision is FIPS 180-4. SHA-1, or secure hash algorithm, is used to compute a condensed representation of a message or data also known as hash. For messages $< 2^{64}$, the SHA-1 algorithm produces a 160-bit output called a digest.

Feature Description (continued)

In a SHA-1 one-way hash function, there is no known mathematical method of computing the input given, only the output. The specification of SHA-1, as defined by FIPS 180-4, states that the input consists of 512-bit blocks with a total input length less than 2^{64} bits. Inputs that do not conform to integer multiples of 512-bit blocks are padded before any block is input to the hash function. The SHA-1 algorithm outputs the 160-bit digest.

The device generates a SHA-1 input block of 288 bits (total input = 160-bit message + 128-bit key). To complete the 512-bit block size requirement of the SHA-1 function, the device pads the key and message with a 1, followed by 159 0s, followed by the 64 bit value for 288 (000...00100100000), which conforms to the pad requirements specified by FIPS 180-4.

- <http://www.nist.gov/itl/>
- <http://csrc.nist.gov/publications/fips>
- www.faqs.org/rfcs/rfc3174.html

7.3.8 Data Commands

7.3.8.1 Command Summary

Table 1. Command Summary Table

Cmd	Mode	Name	Format	Size in Bytes	Min Value	Max Value	Default Value	Unit
0x00...0x01	R/W	<i>Control</i>	Hex	2	0x00	0xff	—	—
0x02...0x05	R	<i>AccumulatedCapacity</i>	Integer	4	0	4.29e9	—	μAh
0x06...0x07	R	<i>Temperature</i>	Signed Int	2	–32768	32767	—	0.1 K
0x08...0x09	R	<i>Voltage</i>	Integer	2	0	65535	—	mV
0x0A	R	<i>BatteryStatus</i>	Hex	1	0x00	0xff	—	—
0x0B	R	<i>BatteryAlert</i>	Hex	1	0x00	0xff	—	—
0x0C...0x0D	R	<i>Current</i>	Signed Integer	2	–32768	32767	—	mA
0x16...0x17	R	<i>Scaled R</i>	Integer	2	0	65535	—	mΩ
0x22...0x23	R	<i>Measured Z</i>	Integer	2	0	65535	—	mΩ
0x28...0x29	R	<i>InternalTemperature</i>	Signed Integer	2	–32768	32767	—	0.1 K
0x2E...0x2F	R	<i>StateOfHealth</i>	Integer	1	0	100	—	%
0x3C...0x3D	R	<i>DesignCapacity</i>	Integer	2	0	65535	—	mAh
0x79	R	<i>Cal_Count</i>	Hex	1	0x00	0xff	—	—
0x7a...0x7B	R	<i>Cal_Current</i>	Signed Int	2	0	65535	—	mA
0x7C...0x7D	R	<i>Cal_Voltage</i>	Integer	2	0	65535	—	mV or Counts ⁽¹⁾
0x7E...0x7F	R	<i>Cal_Temperature</i>	Integer	2	0	65535	—	K

(1) mV when [EXTVCELL] = 0, and ADC counts when [EXTVCELL] = 1.

7.3.8.2 0x00, 0x01 AltManufacturerAccess() and 0x3E, 0x3F AltManufacturerAccess()

AltManufacturerAccess() provides a method of reading and writing data in the Manufacturer Access System (MAC). The MAC command is sent via *AltManufacturerAccess()* by a block protocol. The result is returned on *AltManufacturerAccess()* via a block read.

Commands are set by writing to registers 0x00/0x01. On a valid word access, the MAC command state is set, and commands 0x3E and 0x3F are used for MAC commands. These new addresses work the same as 0x00 and 0x01, but are primarily intended for block writes and reads.

7.3.8.3 Control(): 0x00/0x01

Issuing a *Control()* command requires a subsequent two-byte subcommand. These additional bytes specify the particular control function desired. The *Control()* command allows the host to control specific features of the device during normal operation, and additional features when the BQ35100 device is in different access modes, as described in [Table 2](#).

Table 2. Control Functions

CNTL FUNCTION	CNTL DATA	SEALED ACCESS	DESCRIPTION
CONTROL_STATUS	0x0000	Yes	Reports the status of key features
DEVICE_TYPE	0x0001	Yes	Reports the device type of 0x40 (indicating BQ35100)
FW_VERSION	0x0002	Yes	Reports the firmware version on the device type
HW_VERSION	0x0003	Yes	Reports the hardware version of the device type
STATIC_CHEM_CHKSUM	0x0005	Yes	Calculates chemistry checksum
CHEM_ID	0x0006	Yes	Reports the chemical identifier used by the gas gauge algorithms
PREV_MACWRITE	0x0007	Yes	Returns previous <i>Control()</i> command code
BOARD_OFFSET	0x0009	Yes	Forces the device to measure and store the board offset
CC_OFFSET	0x000A	Yes	Forces the device to measure the internal CC offset
CC_OFFSET_SAVE	0x000B	Yes	Forces the device to store the internal CC offset
DF_VERSION	0x000C	Yes	Reports the data flash version on the device
GAUGE_START	0x0011	Yes	Triggers the device to enter ACTIVE mode
GAUGE_STOP	0x0012	Yes	Triggers the device to stop gauging and complete all outstanding tasks
SELAED	0x0020	No	Places the device in SEALED access mode
CAL_ENABLE	0x002D	No	Toggle CALIBRATION mode enable
LT_ENABLE	0x002E	No	Enables Lifetime Data collection
RESET	0x0041	No	Forces a full reset of the device
EXIT_CAL	0x0080	No	Exit CALIBRATION mode
ENTER_CAL	0x0081	No	Enter CALIBRATION mode
NEW_BATTERY	0xa613	Yes	This is used to refresh the gauge when a new battery is installed and resets all recorded data.

7.3.9 Communications

7.3.9.1 I²C Interface

The gas gauge supports the standard I²C read, incremental read, one-byte write quick read, and functions. The 7-bit device address (ADDR) is the most significant 7 bits of the hex address and is fixed as 1010101. The 8-bit device address is therefore 0xAA or 0xAB for write or read, respectively.

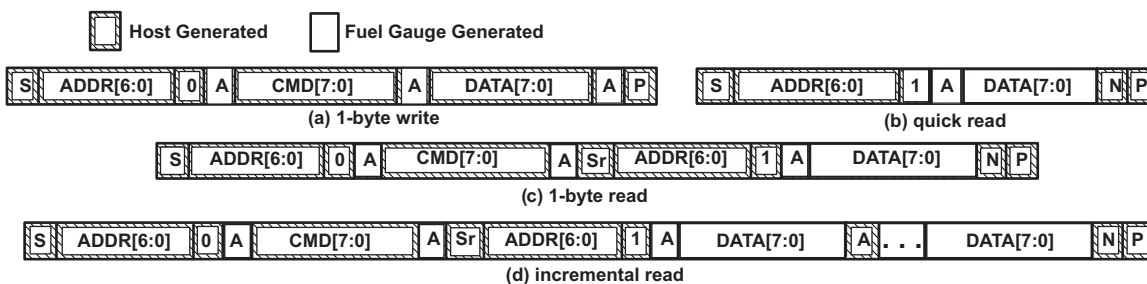


Figure 5. Supported I²C Formats: (a) 1-Byte Write, (b) Quick Read, (c) 1 Byte-read, and (d) Incremental Read (S = Start, Sr = Repeated Start, A = Acknowledge, N = No Acknowledge, and P = Stop).

The “quick read” returns data at the address indicated by the address pointer. The address pointer, a register internal to the I²C communication engine, increments whenever data is acknowledged by the device or the I²C master. “Quick writes” function in the same manner and are a convenient means of sending multiple bytes to consecutive command locations (such as 2-byte commands that require two bytes of data).

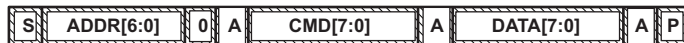


Figure 6. Attempt To Write a Read-Only Address (Nack After Data Sent By Master)

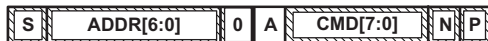


Figure 7. Attempt To Read an Address Above 0x7F (Nack Command)



Figure 8. Attempt at Incremental Writes (Nack All Extra Data Bytes Sent)

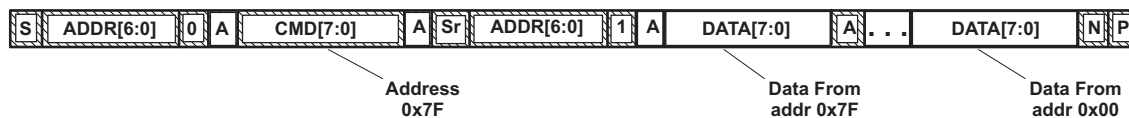


Figure 9. Incremental Read at the Maximum Allowed Read Address

The I²C engine releases both SDA and SCL if the I²C bus is held low for **Bus Low Time**. If the gas gauge were holding the lines, releasing them frees the master to drive the lines. If an external condition is holding either of the lines low, the I²C engine enters the low-power SLEEP mode.

7.4 Device Functional Modes

The BQ35100 device is intended for systems where the battery electronics are required to consume a very low average current. To achieve this, the device is intended to be fully powered off when not required through control of the GAUGE ENABLE (GE) pin. When this pin is low, then the device is fully powered down with no measurements being made and no data, unless in flash, is retained.

An example system current profile is shown along with the state of GAUGE ENABLE to reduce the average power consumption of the battery electronics.

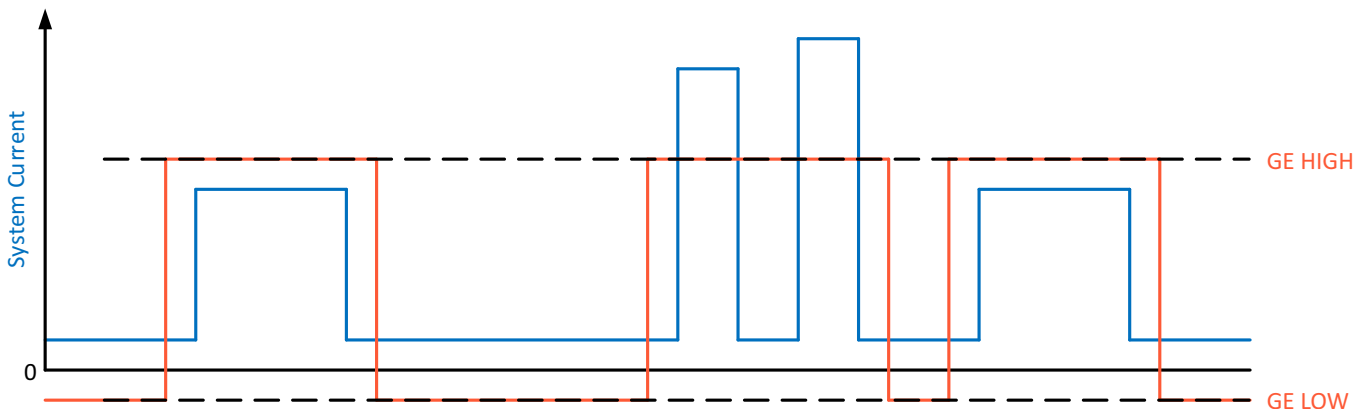


Figure 10. Power Consumption

The average power consumption of the BQ35100 device is an average of the periods where GAUGE ENABLE is high AND low over a given period.

For example, if the system enters a high power state (500 μ A) for 30 s every 4 hours, the average current will be:
 $315 \mu\text{A} \times 30 \text{ s} / 4 \text{ h} = 0.66 \mu\text{A}$

Device Functional Modes (continued)

When GAUGE ENABLE is low (GE = Low), then the device is powered off and the current is nominally I_{CC_GELow} , and is the leakage current into the REGIN pin. Other components connected to this node should also be evaluated to determine the "System Off" current total.

When the device is used for gas gauging, it transitions through several power states based on the selection of **OperationCfgA[GMSEL]**.

Figure 11 highlights the operational flow and conditional decisions.

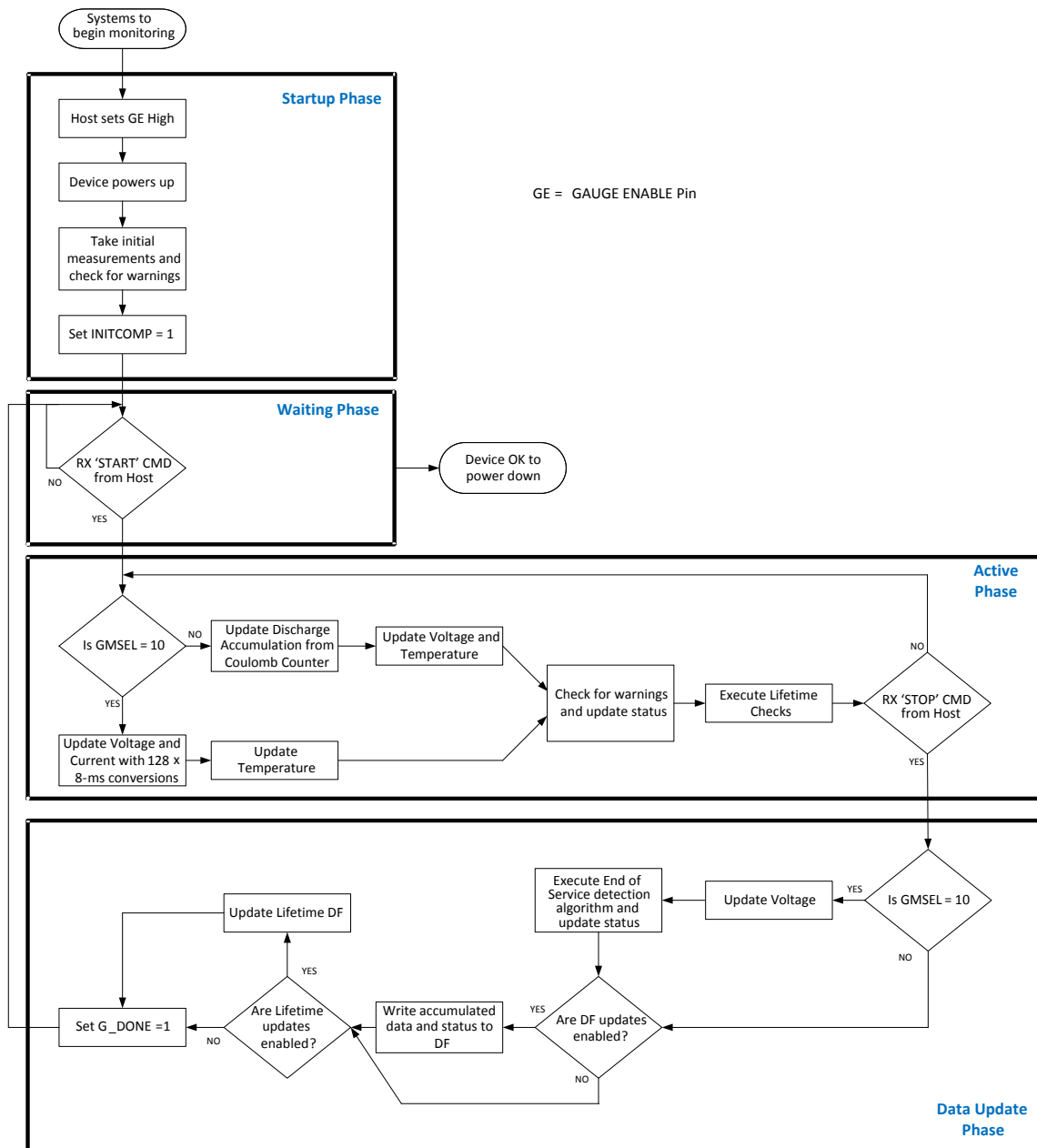


Figure 11. Operational Flow

8 Application and Implementation

NOTE

Information in the following applications sections is not part of the TI component specification, and TI does not warrant its accuracy or completeness. TI's customers are responsible for determining suitability of components for their purposes. Customers should validate and test their design implementation to confirm system functionality.

8.1 Application Information

The BQ35100 device is a highly configurable device with many options. The major configuration choices comprise the battery chemistry and control methods.

8.2 Typical Applications

Figure 12 is a simplified diagram of the main features of the BQ35100 device. Specific implementations detailing the main configuration options are shown later in this section.

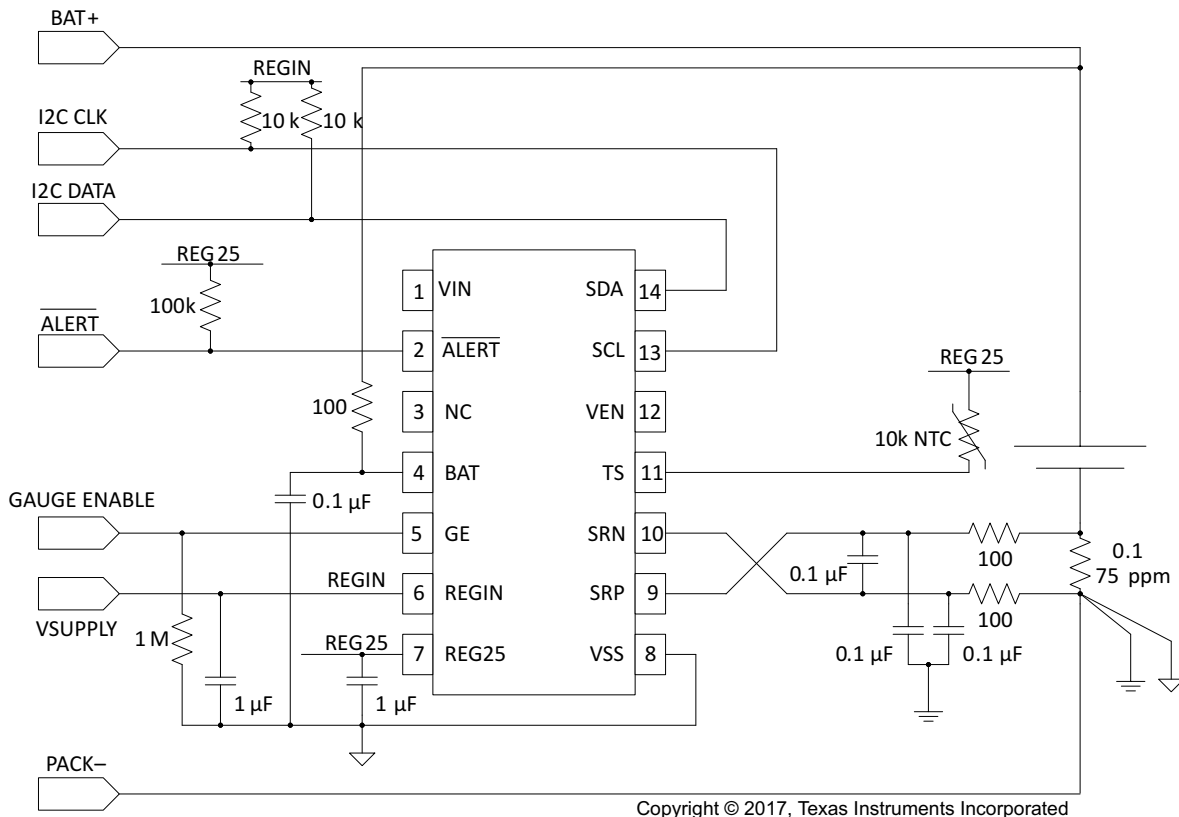


Figure 12. BQ35100 Single-Cell Simplified Implementation

Typical Applications (continued)

8.2.1 Design Requirements

For design guidelines, refer to the *BQ35100 EVM User's Guide* (SLUUBH7).

8.2.2 Detailed Design Procedure

8.2.2.1 Preparation for Gauging

Before it is ready to gauge a lithium primary battery, a BQ35100 device-based circuit requires several steps, as follows:

1. Provide power to the device via a supply to the BAT pin that is above V_{REGIN} , 2.7 V.
2. Power up the device by pulling the GE pin to a supply above $V_{IH(GE)}$, 2.65 V.
3. Use [BQStudio](#) to calibrate the device. The device is calibrated when in ACC Mode (GMSEL = 0x0), which is also the state the device is shipped from TI. The BQ35100 EVM User Guide details the BQStudio software and Calibration Tab operation.
4. Use BQStudio to update the CHEM ID. The **Chemistry Tab** enables the selection and programming of the appropriate CHEM ID for the cell being used.
5. Reset the device once the calibration and CHEM ID programming are complete. To do this, toggle the GE pin Low and then back High or via the **Reset** command in BQStudio.

With these steps complete the next phase of configuration and use is determined by which Gauging Mode is intended to be used.

8.2.2.2 Gauging Mode Selection

The BQ35100 device can be configured to support lithium manganese dioxide (Li-MnO₂) or lithium thionyl chloride (Li-SOCl₂) cells, and can also be configured to support any chemistry through the ACCUMULATOR mode. To select the GAUGING mode, set the **GMSEL[1:0]** bits in **Operation Config A** register.

Table 3. Chemistry

Chemistry Supported	Gauging Mode	Operation Config A [GMSEL]
All Chemistries	ACCUMULATOR	0x0
Lithium Manganese Dioxide (Li-MnO ₂)	STATE-OF-HEALTH (Voltage Correlation)	0x1
Lithium Thionyl Chloride (Li-SOCl ₂)	END-OF-SERVICE (Resistance Correlation)	0x2

NOTE

During operation in the field, the BQ35100 fuel gauge should be used in only one mode at a time, and should not be switched between modes.

8.2.2.2.1 ACCUMULATOR Mode

The ACCUMULATOR mode (ACC) is chemistry-independent and accumulates the passed discharge of the battery when the gauge is enabled, but also provides no gas gauging data, such as remaining state-of-health (RSOC), full charge capacity (FCC), or end-of-service (EOS) indication. This is the default configuration as it is also the required mode for the device when it is calibrated. Once calibration is completed, the device can be set to the appropriate gauging mode or left in the default mode.

To configure the BQ35100 fuel gauge to use the ACCUMULATOR mode, the following data flash configuration variables must be configured correctly. For more details, including information on **Operation Config A [GMSEL]**, see the *BQ35100 Technical Reference Manual* (SLUUBH1).

To use ACCUMULATOR mode, follow these steps:

1. Step 1: Set GE high to power up the BQ35100 gauge and wait for $\overline{\text{ALERT}}$ to go low due to **INITCOMP** = 1.
2. Step 2: Clear $\overline{\text{ALERT}}$ (read *BatteryStatus()*) and send *GAUGE_START()*.
3. Step 3: Read *AccumulatedCapacity()* for the latest passed discharge data since *GAUGE_START()*.

4. Step 4: Send `GAUGE_STOP()` and wait for $\overline{\text{ALERT}}$ to go low due to **G_DONE** = 1.
5. Step 5: Read final `AccumulatedCapacity()` value.
6. Step 6: Set GE low to power down the BQ35100 device.

8.2.2.2.1.1 STATE-OF-HEALTH (Voltage Correlation) Mode

STATE-OF-HEALTH mode is typically used with lithium manganese dioxide (Li-MnO₂) cells as the voltage vs. state-of-health (SOH) profile has a defined slope to enable accuracy.

To configure the BQ35100 gauge to use the STATE-OF-HEALTH mode, the following data flash configuration variables must be configured correctly. For more details, including information on **Operation Config A [GMSEL]**, see the *BQ35100 Technical Reference Manual (SLUUBH1)*.

To use STATE-OF-HEALTH mode, follow these steps:

1. Step 1: Set GE high to power up the BQ35100 gauge and wait for $\overline{\text{ALERT}}$ to go low due to **INITCOMP** = 1.
2. Step 2: Clear $\overline{\text{ALERT}}$ (read `BatteryStatus()`).
3. Step 3: Read any required data such as `State-Of-Health()` for the latest battery data.
4. Step 4: Optional: Send `GAUGE_START()`.
5. Step 5: Optional: Send `GAUGE_STOP()`. At this point, Lifetime Data can be stored and any Threshold detection checks are run. This is only needed if these features are desired.
6. Step 6: Set GE low to power down the BQ35100 device.

8.2.2.2.1.2 END-OF-SERVICE (Resistance Correlation) Mode

END-OF-SERVICE mode is only used with lithium thionyl chloride (Li-SOCl₂) cells. To configure the BQ35100 device to use END-OF-SERVICE mode, the following data flash configuration variables must be configured correctly. For more details, including information on **Operation Config A [GMSEL]**, **R Data Seconds**, see the *BQ35100 Technical Reference Manual (SLUUBH1)*.

To use END-OF-SERVICE mode, follow these steps:

1. Step 1: Set GE high to power up the BQ35100 device and wait for $\overline{\text{ALERT}}$ to go low due to **INITCOMP** = 1.
2. Step 2: Clear $\overline{\text{ALERT}}$ (read `BatteryStatus()`).
3. Step 3: Send `GAUGE_START()` 1 s prior to the high load pulse starting.
4. Step 4: Send `GAUGE_STOP()` directly after the high load pulse has stopped. During the time between Step 4 and Step 5 there should be no other pulse load. A low current DC load is acceptable.
5. Step 5: Wait for $\overline{\text{ALERT}}$ to go low due to **G_DONE** = 1.
6. Step 6: Read `BatteryStatus()` for an **[EOS]** decision and other data, such as `State-Of-Health()`.
7. Step 7: Set GE low to power down the BQ35100 device.

8.2.2.3 Voltage Measurement Selection

The default configuration is for the BQ35100 device to support 1-series cell with a maximum of 4.5 V. If the battery voltage can be above this level, then **[EXTVCELL]** in **Operation Config A** should be set. In this setting, an external resistor divider is used to scale the voltage so the gauge can measure accurately.

8.2.2.4 Temperature Measurement Selection

There are three options for temperature measurement in the BQ35100 device. By default, the device is configured to use an external 103AT NTC thermistor. However, if **[TEMPS]** = 0, then an internal temperature sensor is used. This requires no external components but for optimal performance in this case, the BQ35100 device should be very close to the cell, preferably thermally connected.

There is one other option that can be used if the system already includes a cell temperature measurement solution: If **WRTEMP** = 1, then the host can write the temperature to the device and the BQ35100 algorithms will use that data.

8.2.2.5 Current Sense Resistor Selection

The BQ35100 device calculates current through measuring a voltage across a small resistor in series with the battery. The default value is 100 mΩ. To maximize current measurement accuracy, the ideal value is calculated as:

$$R_{\text{SENSE}} \text{ (m}\Omega\text{)} = V_{\text{(SR)Max}} / \text{Peak Load Current (mA)}$$

Where $V_{\text{(SR) MAX}} = 125 \text{ mV}$

8.2.2.6 Expected Device Usage Profiles

The BQ35100 device is designed to work in a system where there is a period discharge pulse of at least 10 s of mA for 10 s of ms. In ACC mode, any pulse can be measured based on the information the host requires. However, in EOS modes, the battery condition does not change very fast so only pulses that are many hours apart; for example, 24 hours, are needed.

If the time between pulses needing monitoring is less than a minute, then it is recommended not to power down the device. However, if the period is greater than 5 hours, then powering down the device between pulses is expected. Periods in between risk not allowing the battery to rest and any EOS-related data may be compromised. [Battery EOS OCV BAD Warning](#) provides more information on this.

The shorter the period between pulses has a large effect of the overall cumulative power consumption of the battery electronics. See [Device Functional Modes](#) for more details on average power consumption.

8.2.2.7 Using the BQ35100 Fuel Gauge with a Battery and Capacitor in Parallel

The BQ35100 device can be used in systems where the lithium primary battery is permanently connected to a bulk capacitor in parallel; for example, an electrolytic or super capacitor.

8.2.2.7.1 ACCUMULATOR Mode

In this mode, the BQ35100 device does not count the leakage of the capacitor, and so the leakage should be added to the data the BQ35100 device counts.

8.2.2.7.2 STATE-OF-HEALTH Mode

In this mode, as the voltage of the capacitor will match that of the battery, there is no impact to the accuracy of the device's gauging performance with the capacitor in the system.

8.2.2.7.3 END-OF-SERVICE Mode

In this mode, the resistance of the capacitor will influence the end-of-service determination, but this does not impact the accuracy as the overall power delivery to the system is determined by the total resistance of the combined battery and capacitor. However, for the resistance to be updated to support the end-of-service feature, there needs to be a large enough delta in voltage between the open circuit voltage and the voltage under load. As the battery is discharged, the resistance increases and so the resistance at a state of charge of < 50% is the most important so that the accuracy will be optimized as the battery is in the second half of its service life.

The minimum delta voltage should be 100 mV to ensure there is no impact to the accuracy; therefore, the high load pulse current when the gauge is active should be:

High Load Pulse Current (mA) = 100 mV / Resistance of the battery and capacitor in parallel at 50% SOC.

8.2.3 EOS Mode Load Pulse Synchronization

For correct data updates in EOS mode, the device operation needs to be synchronized with the pulsed load on the battery. Typically, this is managed by the system host MCU, but additionally it can be managed by an external detection circuit. An example of this alternative approach is detailed in *TI Designs: TIDA-01546: Battery and System Health Monitoring of Battery Powered Smart Flow Meters Reference Design (TIDUD05)*.

8.2.4 Benefits of the BQ35100 Gauge Compared to Alternative Monitoring Techniques

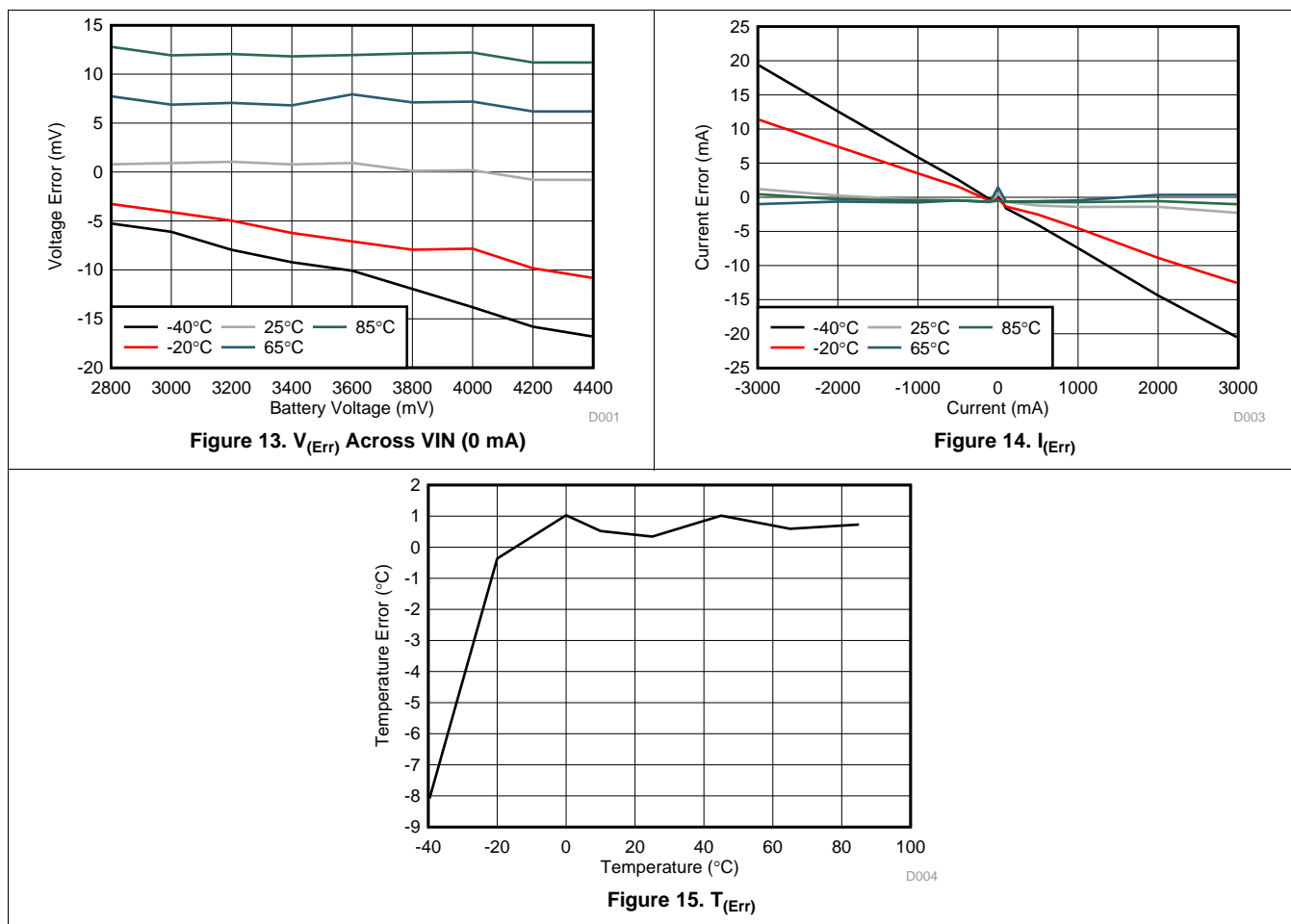
The BQ35100 gauge offers many capabilities and provides a level of accuracy that alternative monitoring techniques cannot offer. One of the main techniques is to use a voltage lookup table implemented with an MCU and integrated ADC.

Table 4. BQ35100 Compared to MCU + ADC

Operation	Advantages	Disadvantages
Characterize the cells' performance under the expected load condition to create a voltage versus SOH table to measure voltage and temperature and compare the measurements to the characterized table.	<ul style="list-style-type: none"> • Easy to implement • Accounts for early cell degradation • Most system host microcontrollers have a spare ADC channel. • Only uses a small amount of memory and CPU operation. • The table can be updated if the system load configuration is changed (for example, FW Update). 	<ul style="list-style-type: none"> • No simple accounting for cell-to-cell or temperature variation • No simple accounting for installation variations, such as radio power due to transmit distances • Assumptions and tolerances must be built into the original cell capacity, forcing a much larger, more expensive cell to be used. • Cell voltage is very flat so a small voltage measurement error is a very large capacity error. <ul style="list-style-type: none"> – LiSoCl₂: 95% of SOC is 100 mV of voltage. – A typical MCU ADC of 10-bit resolution has only seven bits of accurate performance, providing a 36-mV resolution.

In summary, the voltage measurement performance of the measurement system is critical to this technique and that is typically not available from the host MCU.

8.2.5 Application Curves



9 Power Supply Recommendations

Power supply requirements for the BQ35100 device are simplified due to the presence of the internal LDO voltage regulation. The REGIN pin accepts any voltage level between 2.7 V and 4.5 V, which is optimum for single-cell Li-primary applications.

Decoupling the REGIN pin should be done with a 0.1- μ F 10% ceramic X5R capacitor placed close to the device.

REGIN can be powered from an alternate power source, such as, for example, the boost converter output, as long as it is not also connected to the BAT input. In this case, BAT should only remain connected to the top of the cell.

10 Layout

10.1 Layout Guidelines

10.1.1 Introduction

Attention to layout is critical to the success of any battery management circuit board. The mixture of high-current paths with an ultralow-current microcontroller creates the potential for design issues that are not always trivial to solve. Some of the key areas of concern are described in the following sections, and can help to enable success.

10.1.2 Power Supply Decoupling Capacitor

Power supply decoupling from V_{REG25} to ground is important for optimal operation of the gas gauge. To keep the loop area small, place this capacitor next to the IC and use the shortest possible traces. A large loop area renders the capacitor useless and forms a small-loop antenna for noise pickup. Ideally, the traces on each side of the capacitor should be the same length and run in the same direction to avoid differential noise during ESD. If possible, place a via near the V_{SS} pin to a ground plane layer.

10.1.3 Capacitors

Power supply decoupling for the gas gauge requires a pair of 0.1- μ F ceramic capacitors for (PBAT) and (V_{REG25}) pins. These should be placed reasonably close to the IC without using long traces back to V_{SS} . The LDO voltage regulator, whether external or internal to the main IC, requires a 0.47- μ F ceramic capacitor to be placed fairly close to the regulation output pin. This capacitor is for amplifier loop stabilization and as an energy well for the 2.5-V supply.

10.1.4 Communication Line Protection Components

The 5.6-V Zener diodes used to protect the communication pins of the gas gauge from ESD should be located as close as possible to the pack connector. The grounded end of these Zener diodes should be returned to the Pack(-) node rather than to the low-current digital ground system. This way, ESD is diverted away from the sensitive electronics as much as possible.

10.2 Layout Example

10.2.1 Ground System

The fuel gauge requires a low-current ground system separate from the high-current PACK(-) path. ESD ground is defined along the high-current path from the Pack(-) terminal to the sense resistor. It is important that the low-current ground systems only connect to the PACK(-) path at the sense resistor Kelvin pick-off point. It is recommended to use an optional inner layer ground plane for the low-current ground system.

In [Figure 16](#), the green is an example of using the low-current ground as a shield for the gas gauge circuit. Note how it is kept separate from the high-current ground, which is shown in red. The high-current path is joined with the low-current path only at one point, shown with the small blue connection between the two planes.

Layout Example (continued)

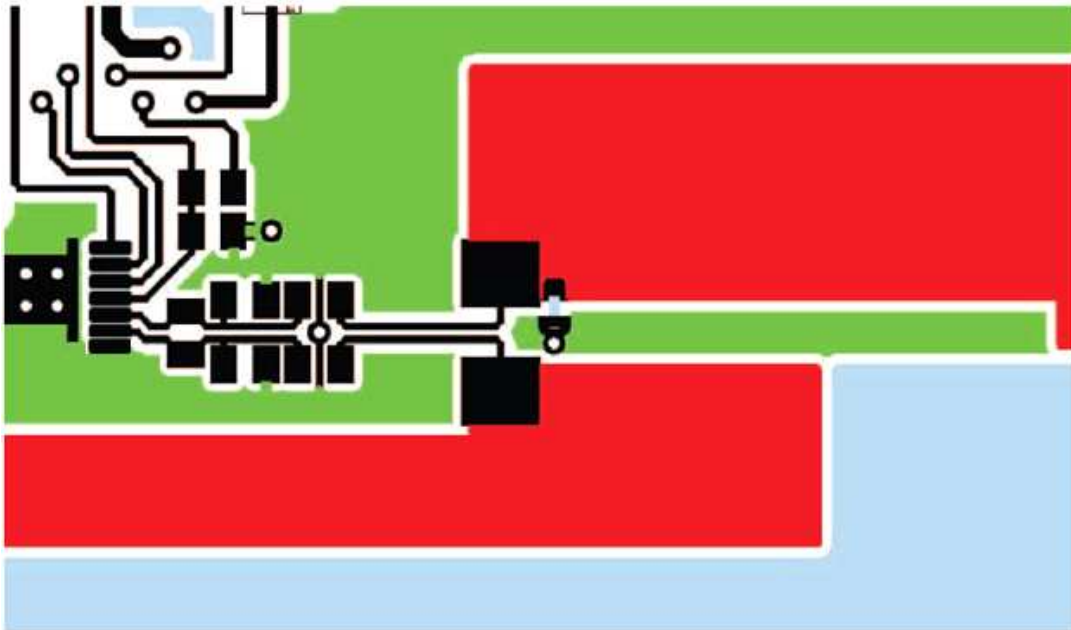


Figure 16. Differential Filter Component with Symmetrical Layout

10.2.2 Kelvin Connections

Kelvin voltage sensing is very important to accurately measure current and cell voltage. Note how the differential connections at the sense resistor do not add any voltage drop across the copper etch that carries the high current path through the sense resistor. See [Figure 16](#) and [Figure 17](#).

10.2.3 Board Offset Considerations

Although the most important component for board offset reduction is the decoupling capacitor for V_{REG25} , an additional benefit is possible by using this recommended pattern for the coulomb counter differential low-pass filter network. Maintain the symmetrical placement pattern shown for optimum current offset performance. Use symmetrical shielded differential traces, if possible, from the sense resistor to the 100- Ω resistors, as shown in [Figure 17](#).

Layout Example (continued)

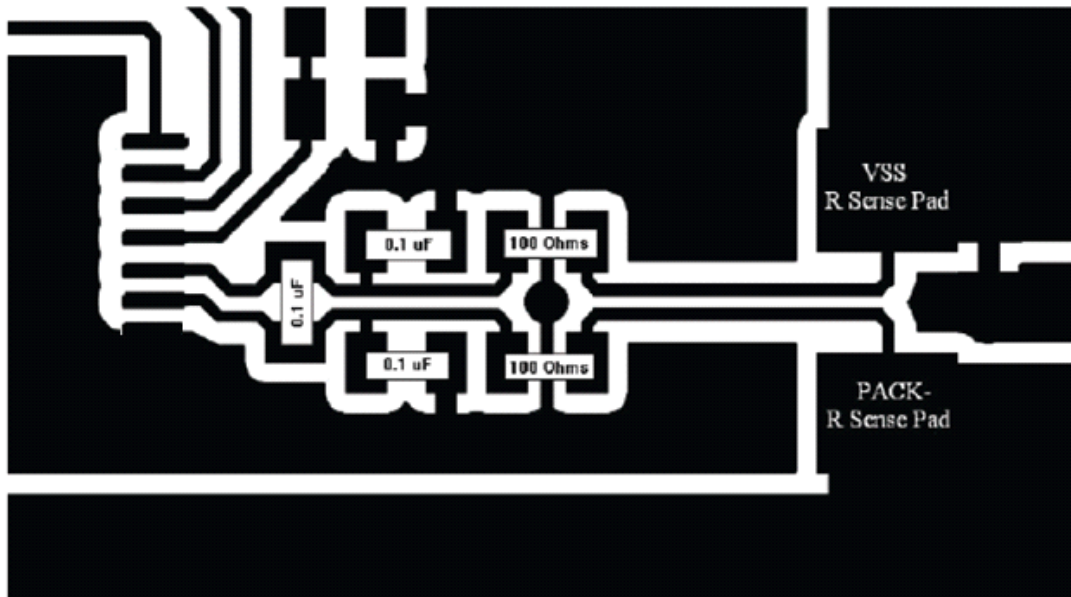


Figure 17. Differential Connection Between SRP and SRN Pins with Sense Resistor

10.3 ESD Spark Gap

Protect the communication lines from ESD with a spark gap at the connector. [Figure 18](#) shows the recommended pattern with its 0.2-mm spacing between the points.

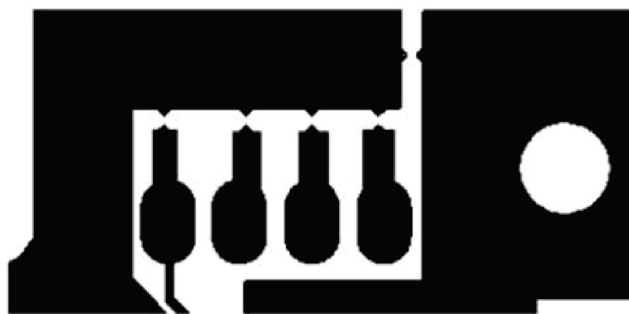


Figure 18. Recommended Spark-Gap Pattern Helps Protect Communication Lines from ESD

11 Device and Documentation Support

11.1 Documentation Support

11.1.1 Related Documentation

For related documentation, see the following:

- *BQ35100 Technical Reference Manual* ([SLUUBH1](#))
- *BQ35100 EVM User's Guide* ([SLUUBH7](#))
- *Using I²C Communication with the BQ275xx Series of Fuel Gauges Application Report* ([SLUA467](#))

11.2 Receiving Notification of Documentation Updates

To receive notification of documentation updates, navigate to the device product folder on ti.com. In the upper right corner, click on *Alert me* to register and receive a weekly digest of any product information that has changed. For change details, review the revision history included in any revised document.

11.3 Community Resources

The following links connect to TI community resources. Linked contents are provided "AS IS" by the respective contributors. They do not constitute TI specifications and do not necessarily reflect TI's views; see TI's [Terms of Use](#).

TI E2E™ Online Community *TI's Engineer-to-Engineer (E2E) Community*. Created to foster collaboration among engineers. At e2e.ti.com, you can ask questions, share knowledge, explore ideas and help solve problems with fellow engineers.

Design Support *TI's Design Support* Quickly find helpful E2E forums along with design support tools and contact information for technical support.

11.4 Trademarks

E2E is a trademark of Texas Instruments.
All other trademarks are the property of their respective owners.

11.5 Electrostatic Discharge Caution



This integrated circuit can be damaged by ESD. Texas Instruments recommends that all integrated circuits be handled with appropriate precautions. Failure to observe proper handling and installation procedures can cause damage.

ESD damage can range from subtle performance degradation to complete device failure. Precision integrated circuits may be more susceptible to damage because very small parametric changes could cause the device not to meet its published specifications.

11.6 Glossary

[SLYZ022](#) — *TI Glossary*.

This glossary lists and explains terms, acronyms, and definitions.

12 Mechanical, Packaging, and Orderable Information

The following pages include mechanical, packaging, and orderable information. This information is the most current data available for the designated devices. This data is subject to change without notice and revision of this document. For browser-based versions of this data sheet, refer to the left-hand navigation.

PACKAGING INFORMATION

Orderable Device	Status (1)	Package Type	Package Drawing	Pins	Package Qty	Eco Plan (2)	Lead/Ball Finish (6)	MSL Peak Temp (3)	Op Temp (°C)	Device Marking (4/5)	Samples
BQ35100PW	ACTIVE	TSSOP	PW	14	90	Green (RoHS & no Sb/Br)	CU NIPDAU	Level-2-260C-1 YEAR	-40 to 85	BQ35100	Samples
BQ35100PWR	ACTIVE	TSSOP	PW	14	2000	Green (RoHS & no Sb/Br)	CU NIPDAU	Level-2-260C-1 YEAR	-40 to 85	BQ35100	Samples

(1) The marketing status values are defined as follows:

ACTIVE: Product device recommended for new designs.

LIFEBUY: TI has announced that the device will be discontinued, and a lifetime-buy period is in effect.

NRND: Not recommended for new designs. Device is in production to support existing customers, but TI does not recommend using this part in a new design.

PREVIEW: Device has been announced but is not in production. Samples may or may not be available.

OBSOLETE: TI has discontinued the production of the device.

(2) **RoHS:** TI defines "RoHS" to mean semiconductor products that are compliant with the current EU RoHS requirements for all 10 RoHS substances, including the requirement that RoHS substance do not exceed 0.1% by weight in homogeneous materials. Where designed to be soldered at high temperatures, "RoHS" products are suitable for use in specified lead-free processes. TI may reference these types of products as "Pb-Free".

RoHS Exempt: TI defines "RoHS Exempt" to mean products that contain lead but are compliant with EU RoHS pursuant to a specific EU RoHS exemption.

Green: TI defines "Green" to mean the content of Chlorine (Cl) and Bromine (Br) based flame retardants meet JS709B low halogen requirements of <=1000ppm threshold. Antimony trioxide based flame retardants must also meet the <=1000ppm threshold requirement.

(3) MSL, Peak Temp. - The Moisture Sensitivity Level rating according to the JEDEC industry standard classifications, and peak solder temperature.

(4) There may be additional marking, which relates to the logo, the lot trace code information, or the environmental category on the device.

(5) Multiple Device Markings will be inside parentheses. Only one Device Marking contained in parentheses and separated by a "~" will appear on a device. If a line is indented then it is a continuation of the previous line and the two combined represent the entire Device Marking for that device.

(6) Lead/Ball Finish - Orderable Devices may have multiple material finish options. Finish options are separated by a vertical ruled line. Lead/Ball Finish values may wrap to two lines if the finish value exceeds the maximum column width.

Important Information and Disclaimer:The information provided on this page represents TI's knowledge and belief as of the date that it is provided. TI bases its knowledge and belief on information provided by third parties, and makes no representation or warranty as to the accuracy of such information. Efforts are underway to better integrate information from third parties. TI has taken and continues to take reasonable steps to provide representative and accurate information but may not have conducted destructive testing or chemical analysis on incoming materials and chemicals. TI and TI suppliers consider certain information to be proprietary, and thus CAS numbers and other limited information may not be available for release.

In no event shall TI's liability arising out of such information exceed the total purchase price of the TI part(s) at issue in this document sold by TI to Customer on an annual basis.

TAPE AND REEL INFORMATION



QUADRANT ASSIGNMENTS FOR PIN 1 ORIENTATION IN TAPE



*All dimensions are nominal

Device	Package Type	Package Drawing	Pins	SPQ	Reel Diameter (mm)	Reel Width W1 (mm)	A0 (mm)	B0 (mm)	K0 (mm)	P1 (mm)	W (mm)	Pin1 Quadrant
BQ35100PWR	TSSOP	PW	14	2000	330.0	12.4	6.9	5.6	1.6	8.0	12.0	Q1

TAPE AND REEL BOX DIMENSIONS

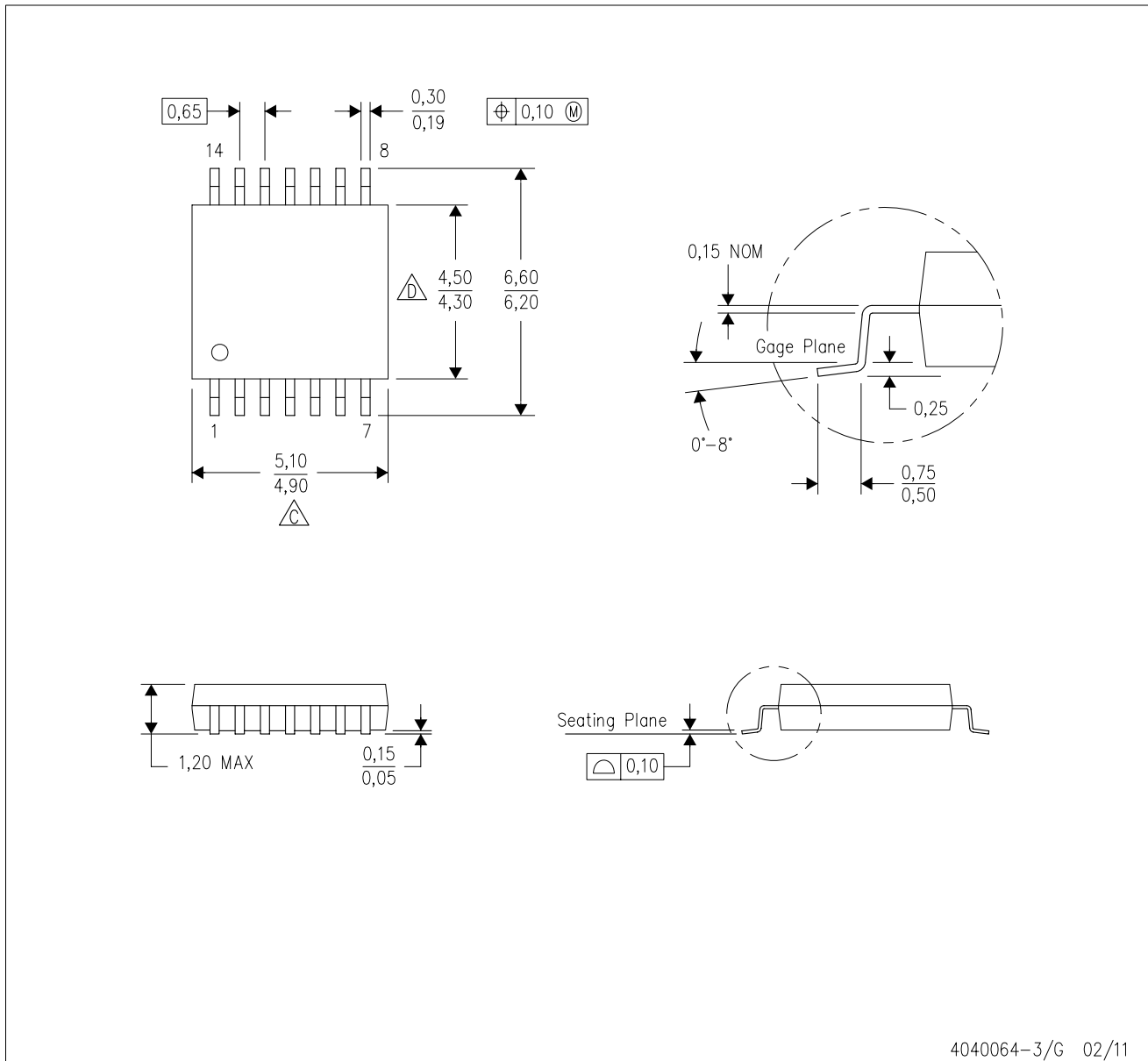




*All dimensions are nominal

Device	Package Type	Package Drawing	Pins	SPQ	Length (mm)	Width (mm)	Height (mm)
BQ35100PWR	TSSOP	PW	14	2000	367.0	367.0	38.0

PW (R-PDSO-G14)

PLASTIC SMALL OUTLINE



- NOTES:
- A. All linear dimensions are in millimeters. Dimensioning and tolerancing per ASME Y14.5M-1994.
 - B. This drawing is subject to change without notice.
 -  C. Body length does not include mold flash, protrusions, or gate burrs. Mold flash, protrusions, or gate burrs shall not exceed 0,15 each side.
 -  D. Body width does not include interlead flash. Interlead flash shall not exceed 0,25 each side.
 - E. Falls within JEDEC MO-153

PW (R-PDSO-G14)

PLASTIC SMALL OUTLINE



4211284-2/G 08/15

- NOTES:
- All linear dimensions are in millimeters.
 - This drawing is subject to change without notice.
 - Publication IPC-7351 is recommended for alternate designs.
 - Laser cutting apertures with trapezoidal walls and also rounding corners will offer better paste release. Customers should contact their board assembly site for stencil design recommendations. Refer to IPC-7525 for other stencil recommendations.
 - Customers should contact their board fabrication site for solder mask tolerances between and around signal pads.

IMPORTANT NOTICE AND DISCLAIMER

TI PROVIDES TECHNICAL AND RELIABILITY DATA (INCLUDING DATASHEETS), DESIGN RESOURCES (INCLUDING REFERENCE DESIGNS), APPLICATION OR OTHER DESIGN ADVICE, WEB TOOLS, SAFETY INFORMATION, AND OTHER RESOURCES "AS IS" AND WITH ALL FAULTS, AND DISCLAIMS ALL WARRANTIES, EXPRESS AND IMPLIED, INCLUDING WITHOUT LIMITATION ANY IMPLIED WARRANTIES OF MERCHANTABILITY, FITNESS FOR A PARTICULAR PURPOSE OR NON-INFRINGEMENT OF THIRD PARTY INTELLECTUAL PROPERTY RIGHTS.

These resources are intended for skilled developers designing with TI products. You are solely responsible for (1) selecting the appropriate TI products for your application, (2) designing, validating and testing your application, and (3) ensuring your application meets applicable standards, and any other safety, security, or other requirements. These resources are subject to change without notice. TI grants you permission to use these resources only for development of an application that uses the TI products described in the resource. Other reproduction and display of these resources is prohibited. No license is granted to any other TI intellectual property right or to any third party intellectual property right. TI disclaims responsibility for, and you will fully indemnify TI and its representatives against, any claims, damages, costs, losses, and liabilities arising out of your use of these resources.

TI's products are provided subject to TI's Terms of Sale (www.ti.com/legal/termsofsale.html) or other applicable terms available either on ti.com or provided in conjunction with such TI products. TI's provision of these resources does not expand or otherwise alter TI's applicable warranties or warranty disclaimers for TI products.

Mailing Address: Texas Instruments, Post Office Box 655303, Dallas, Texas 75265
Copyright © 2019, Texas Instruments Incorporated