

## SINGLE CELL Li-Ion AND Li-Pol BATTERY GAS GAUGE IC FOR PORTABLE APPLICATIONS (bqJUNIOR)

### FEATURES

- HDQ (bq27000) or I<sup>2</sup>C (bq27200) Communication
- Reports Accurate *Time-to-Empty* With Measured Load and Historical Maximum and Standby Loads
- Reports Temperature, Voltage, and Current
- High Accuracy Charge and Discharge Current Integration with Automatic Offset Calibration
- Requires No User Calibration
- Programmable Input/Output Port
- Internal User EEPROM Configuration Memory
- Automatic Capacity Reduction With Age
- Stable Oscillator Without External Components
- Dynamic End-of-Discharge Detection Delay to Allow Use in a High-Dynamic Load Environment
- Automatic Sleep Mode When Communication Lines are Low
- Available in a Small 3 mm x 4 mm QFN Package
- Five Low-Power Operating Modes
  - Active: < 90  $\mu$ A
  - Sleep: < 2.5  $\mu$ A
  - Ship: < 2  $\mu$ A (bq27000 only)
  - Hibernate: < 1.5  $\mu$ A
  - Data Retention: < 20 nA

### APPLICATIONS

- PDA
- Smart Phones
- MP3 Players
- Digital Cameras
- Internet Appliances
- Handheld Devices

### DESCRIPTION

The bqJUNIOR™ series are highly accurate stand-alone single-cell Li-Ion and Li-Pol battery capacity monitoring and reporting devices targeted at space-limited, portable applications. The IC monitors a voltage drop across a small current sense resistor connected in series with the battery to determine charge and discharge activity of the battery. Compensations for battery temperature, self-discharge, and discharge rate are applied to the capacity measurements to provide available time-to-empty information across a wide range of operating conditions. Battery capacity is automatically recalibrated, or learned, in the course of a discharge cycle from full to empty. Internal registers include current, capacity, time-to-empty, state-of-charge, cell temperature and voltage, status, and more.

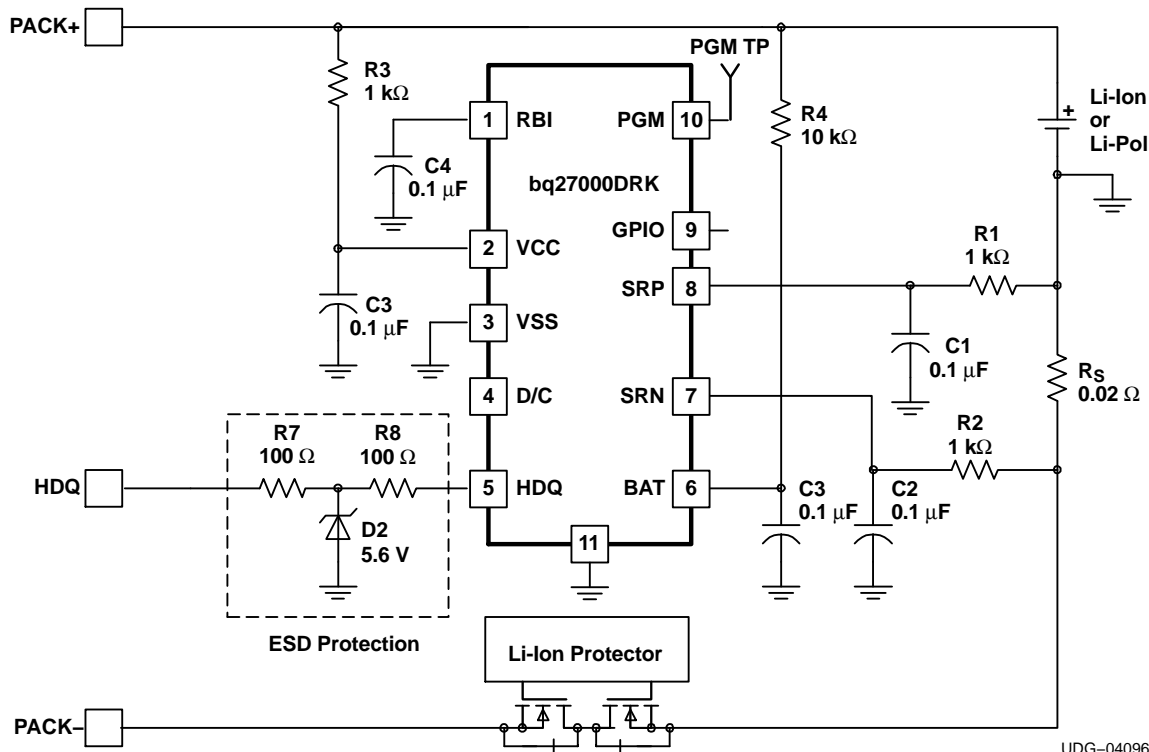
The bqJUNIOR can operate directly from single-cell Li-Ion and Li-Pol batteries and communicates to the system over a HDQ one-wire or I<sup>2</sup>C serial interface.



Please be aware that an important notice concerning availability, standard warranty, and use in critical applications of Texas Instruments semiconductor products and disclaimers thereto appears at the end of this data sheet.

bqJUNIOR is a trademark of Texas Instruments.

TYPICAL APPLICATION



UDG-04096

ORDERING INFORMATION

TA	COMMUNICATION INTERFACE	PACKAGED DEVICES <sup>(1)</sup>	MARKINGS
-20°C to 70°C	HDQ	bq27000DRKR	27000
	I <sup>2</sup> C	bq27200DRKR	27200

(1) The DRK package is available taped and reeled only. Quantities are 2,000 devices per reel.

ABSOLUTE MAXIMUM RATINGS

over operating free-air temperature range (unless otherwise noted)

			bq27000 bq27200	UNITS
V <sub>CC</sub>	Supply voltage	(with respect to V <sub>SS</sub> )	-0.3 to 7	V
V <sub>IN</sub>	Input voltage	SRP, SRN, RBI, BAT (all with respect to V <sub>SS</sub> )	-0.3 to V <sub>CC</sub> +0.3	
		HDQ, SCL, SDA, GPIO (all with respect to V <sub>SS</sub> )	-0.3 to 7	
		PGM (with respect to V <sub>SS</sub> ) during EEPROM programming	-0.3 to 22	
I <sub>SINK</sub>	Output sink current	GPIO, SCL, SDA, HDQ	5	mA
T <sub>A</sub>	Operating free-air temperature range		-20 to 70	°C
T <sub>stg</sub>	Storage temperature range		-65 to 150	
T <sub>J</sub>	Operating junction temperature range		-40 to 125	
	Lead temperature (soldering, 10 sec)		300	

**RECOMMENDED OPERATING CONDITIONS**

		MIN	MAX	UNIT
$V_{CC}$	Supply voltage	2.6	4.5	V
$T_A$	Operating free-air temperature	-20	70	°C
	Input voltage, SRP and SRN with respect to $V_{SS}$	-100	100	mV

**ELECTRICAL CHARACTERISTICS**

over operating free-air temperature range and supply voltage range (unless otherwise noted)

PARAMETER		TEST CONDITIONS	MIN	TYP	MAX	UNIT
<b>GENERAL</b>						
$I_{CC(VCC)}$	Active current			52	90	$\mu$ A
$I_{CC(SLP)}$	Sleep current			1.0	2.5	
$I_{CC(SHP)}$	Ship current (bq27000 only)			0.9	2.0	
$I_{CC(POR)}$	Hibernate current	$0 < V_{CC} < 1.5$ V		0.6	1.5	
	RBI current	RBI pin only, $V_{CC} < V_{CC(POR)}$		< 1	20	nA
$V_{(POR)}$	POR threshold		2.0		2.6	V
	Input impedance	BAT, SRN, SRP	10			M $\Omega$
	Pull-down current	HDQ, SCL, SDA		2.7	4.5	$\mu$ A
<b>HDQ, SCL, SDA and GPIO</b>						
$V_{IH}$	High-level input voltage	$V_{CC} < 4.2$ V	1.5			V
		$V_{CC} > 4.2$ V	1.7			
$V_{IL}$	Low-level input voltage				0.7	
$V_{OL}$	Low-level output voltage (GPIO)	$I_{OL} = 1$ mA			0.4	
	Low-level output voltage (HDQ, SCL, SDA)	$I_{OL} = 2$ mA			0.4	
<b>VOLTAGE AND TEMPERATURE MEASUREMENT</b>						
	Measurement range	$V_{CC} = V_{(BAT)}$	2.6		4.5	V
	Reported voltage resolution			2.7		mV
	Reported accuracy		-25		25	
	Voltage update time			2.56		s
	Reported temperature resolution			0.25		°K
	Reported temperature accuracy		-3		3	
	Temperature update time			2.56		s
	$V_{SRP} - V_{SRN}$ differential input		-100		100	mV
<b>TIME, CURRENT AND CAPACITY (<math>3.0</math> V <math>\leq V_{CC} \leq 4.2</math> V, <math>0^\circ</math>C <math>\leq T_A \leq 50^\circ</math>C)</b>						
$f_{OSC}$	Internal oscillator frequency		-2.2%		1.5%	
	Current gain variability		-0.5%		0.5%	
	Coulometric gain variability		-1.7%		0.5%	
	Coulomb counter input offset <sup>(1)</sup>		-15	0	15	$\mu$ V
<b>EEPROM PROGRAMMING (<math>V_{CC} \geq 3.0</math> V, <math>-20^\circ</math>C <math>\leq T_A \leq 35^\circ</math>C)<sup>(2)</sup></b>						
	Programming voltage rise time		0.5		1.5	ms
	Programming voltage high time		10		100	ms
	Programming voltage fall time		0.5		1.5	ms
	Programming voltage	Applied to PGM pin	20		22	V
	EEPROM programming current	$V_{PROGRAM} = 21$ V			15	mA

(1) Excludes contributions to the offset due to PCB layout or other factors external to the bq27000/bq27200.

 (2) Maximum number of programming cycles on the EEPROM is 10 and data retention time is 10 years at  $T_A = 85^\circ$ C.

**ELECTRICAL CHARACTERISTICS (continued)**

over operating free-air temperature range and supply voltage range (unless otherwise noted)

PARAMETER		TEST CONDITIONS	MIN	TYP	MAX	UNIT
<b>STANDARD HDQ SERIAL COMMUNICATION TIMING (bq27000 only)</b>						
$t_{(B)}$	Break timing		190			μs
$t_{(BR)}$	Break recovery		40			
$t_{(CYCH)}$	Host bit window		190			
$t_{(HW1)}$	Host sends 1		0.5		50	
$t_{(HW0)}$	Host sends 0		86		145	
$t_{(RSPS)}$	bqJUNIOR to host response		190		320	
$t_{(CYCD)}$	bqJUNIOR bit window		190		250	
$t_{(DW1)}$	bqJUNIOR sends 1		32		50	
$t_{(DW0)}$	bqJUNIOR sends 0		80		145	
<b>STANDARD I<sup>2</sup>C SERIAL COMMUNICATION TIMING (bq27200 only)</b>						
$t_r$	SCL/SDA rise time				1	μs
$t_f$	SCL/SDA fall time				300	ns
$t_{w(H)}$	SCL pulse width (high)		4			μs
$t_{w(L)}$	SCL pulse width (low)		4.7			
$t_{su(STA)}$	Setup for repeated start		4.7			
$t_{d(STA)}$	Start to first falling edge of SCL		4			ns
$t_{su(DAT)}$	Data setup time		250			
$t_{h(DAT)}$	Data hold time		300			μs
$t_{su(STOP)}$	Setup time for stop		4			
$t_{(BUF)}$	Bus free time between stop and start		4.7			kHz
$f_{(SCL)}$	Clock frequency				100	
$t_{(BUSERR)}$	Bus error timeout		17.3		21.2	s

TIMING DIAGRAMS

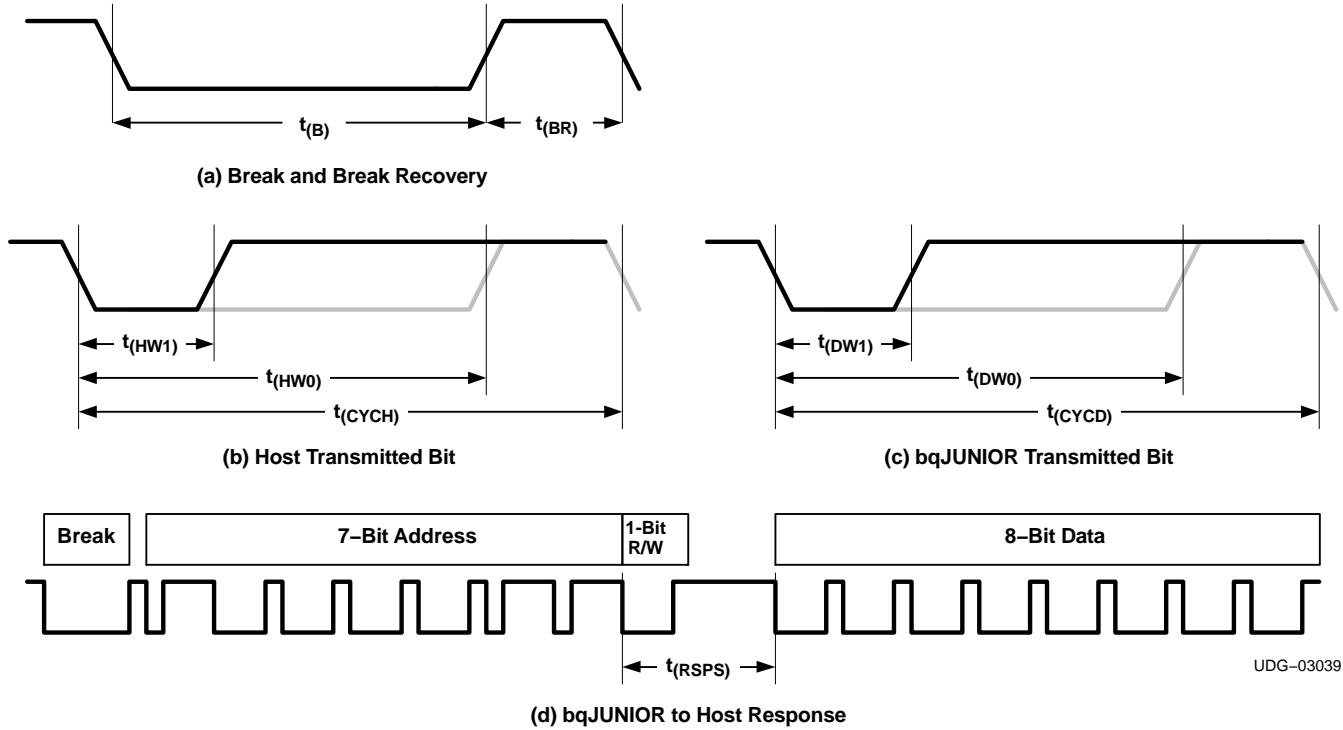


Figure 1. HDQ Bit Timing Diagram

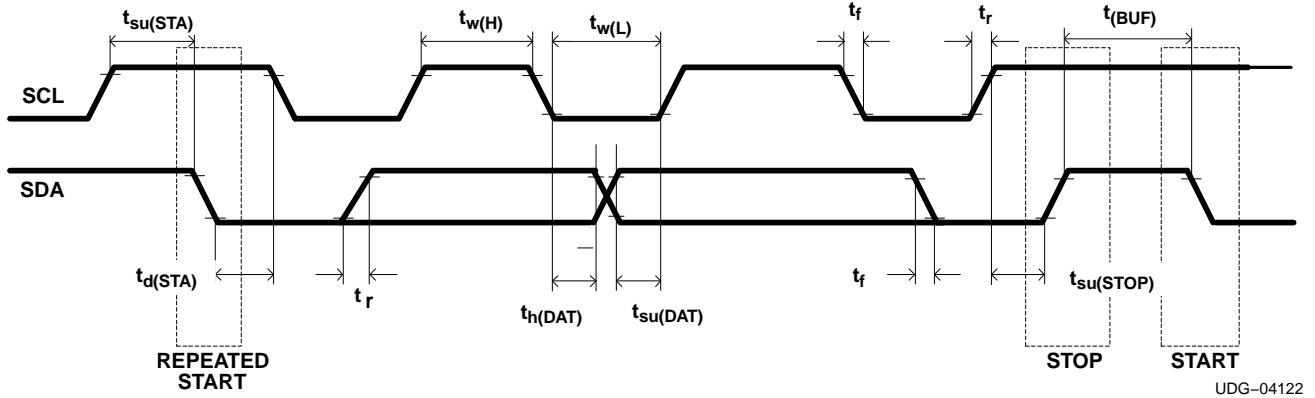
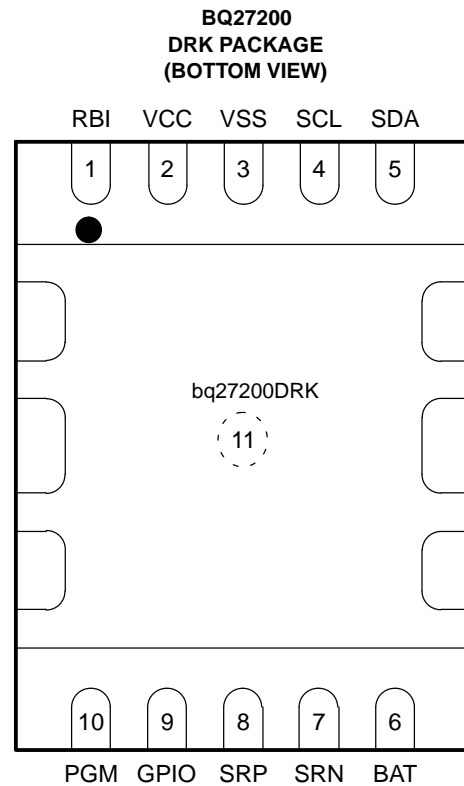
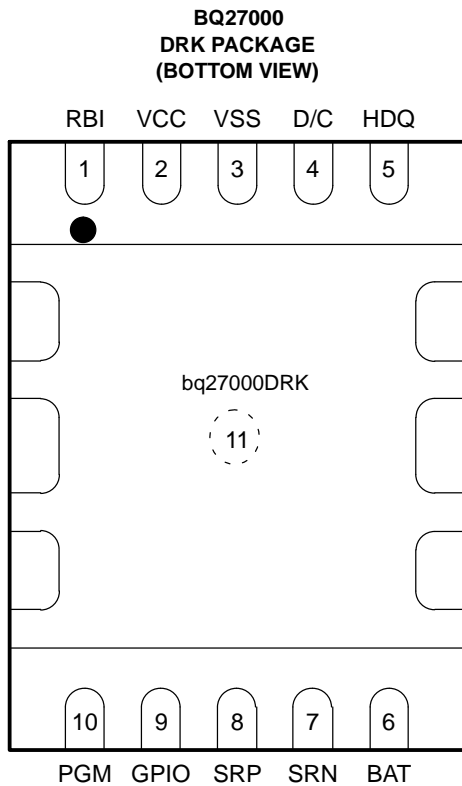


Figure 2. I<sup>2</sup>C Timing Diagram

**TIMING DIAGRAMS (continued)**

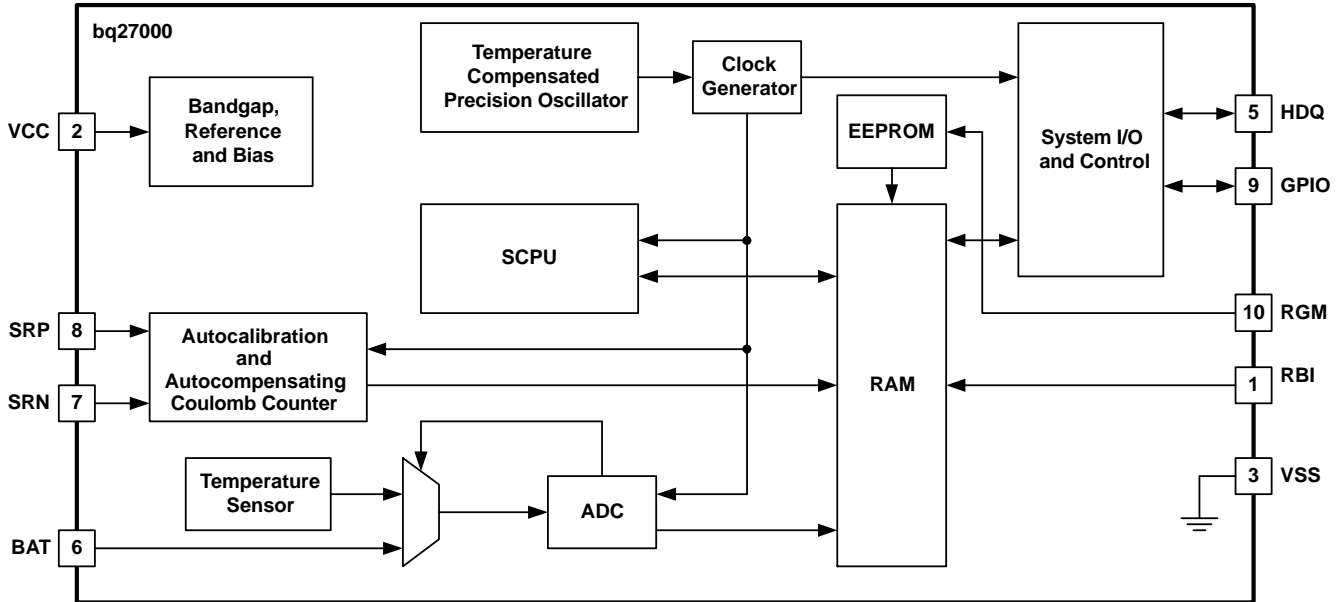


**DEVICE INFORMATION**

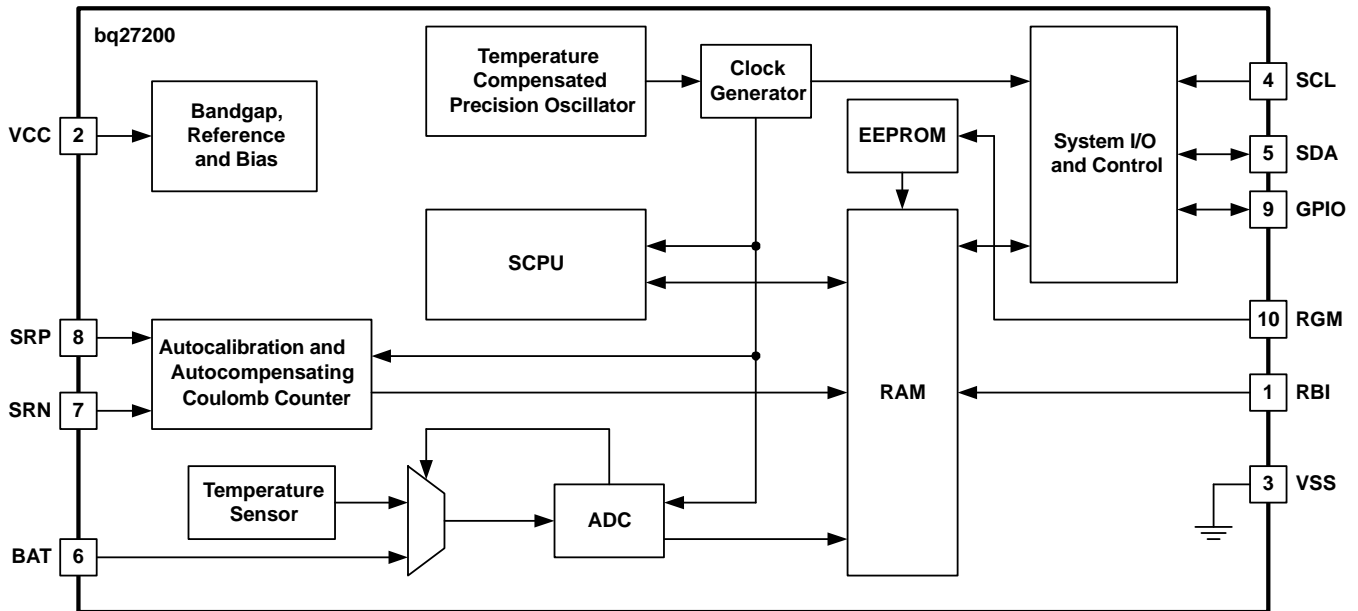
**TERMINAL FUNCTIONS**

NAME	TERMINAL		I/O	DESCRIPTION
	bq27000	bq27200		
BAT	6	6	I	Battery voltage sense input
D/C	4	-	-	Do not connect. Must be left floating or tied to V <sub>SS</sub>
GPIO	9	9	I/O	General purpose input/output
HDQ	5	-	I/O	Single wire HDQ serial interface
PGM	10	10	I	EEPROM programming voltage input
RBI	1	1	I	Register back-up input
SCL	-	4	I	Serial clock input (I <sup>2</sup> C)
SDA	-	5	I/O	Serial data input (I <sup>2</sup> C)
SRN	7	7	I	Current sense input (negative)
SRP	8	8	I	Current sense input (positive)
VCC	2	2	I	V <sub>CC</sub> supply input
VSS	3	3	-	Ground input
VSS	11	11	-	Ground shield

**FUNCTIONAL BLOCK DIAGRAMS**



UDG-03040



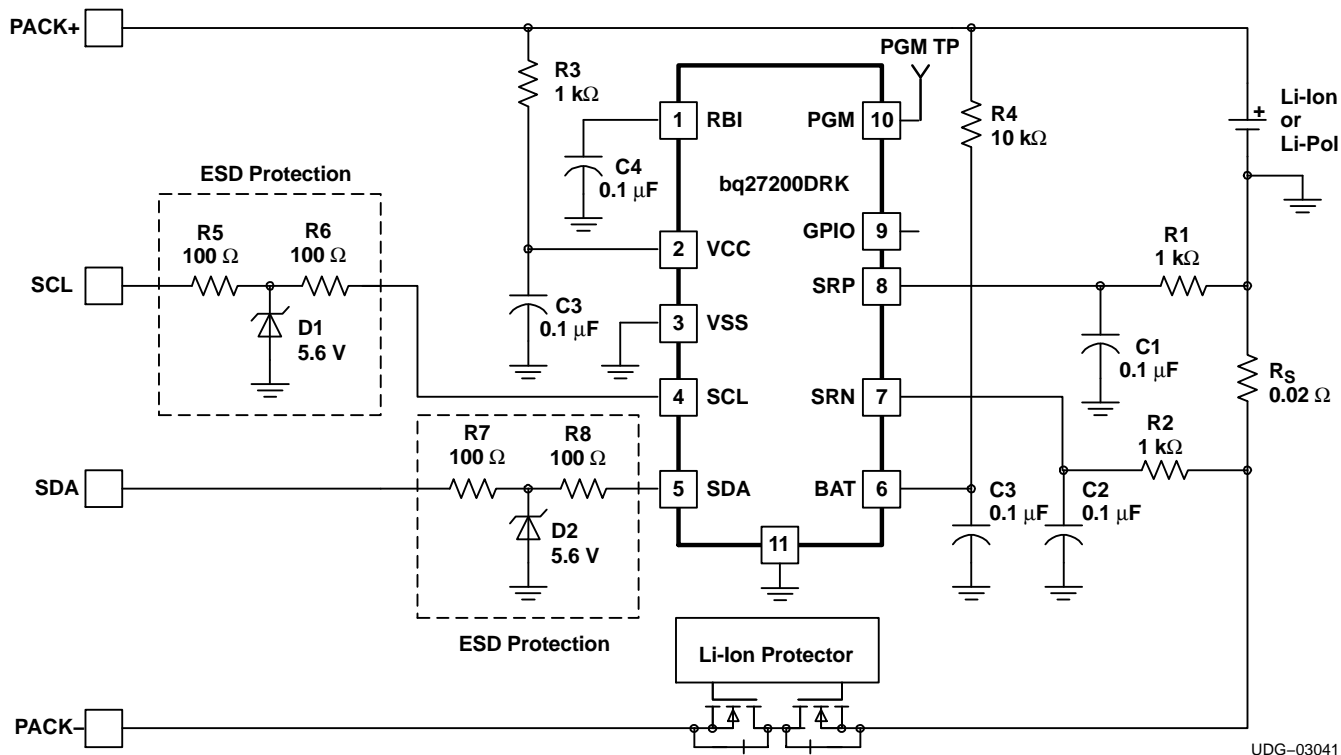
UDG-04123

**FUNCTIONAL DESCRIPTION**

The bqJUNIOR determines battery capacity by monitoring the amount of charge input to or removed from a Li-Ion or Li-Pol battery. The bqJUNIOR measures discharge and charge currents, monitors the battery for low voltage thresholds, and compensates for self-discharge, aging, temperature, and discharge rate. Current is measured across a small value series resistor between the negative terminal of the battery and the pack ground (see  $R_S$  in Figure 3). Available capacity is reported with a resolution of 3.57  $\mu$ Vh. Time-To-Empty reporting in minutes at standby, peak, actual, and at-rate currents allows the requirements for host-based calculations to be greatly reduced or eliminated; reading a single register pair provides useful and meaningful information to the end user of the application.

**FUNCTIONAL DESCRIPTION (continued)**

Figure 3 shows a typical application circuit. Differential sense of the voltage across the current sense resistor,  $R_S$ , improves device performance, leading to an improvement in reported time-to-empty accuracy. An internal, 3  $\mu$ A pull-down on the HDQ or SDA and SCL lines ensures that the device detects a logic 0 on the communication lines and allows the device to automatically enter the low-power sleep mode when the system power is switched off or the pack is removed. A 100 k $\Omega$  pullup to  $V_{CC}$  can be added to the communication lines if this feature needs to be disabled. The bqJUNIOR can operate directly from a single Li-Ion or Li-Pol cell.



**Figure 3. Typical Application Circuit (bq27200)**

**Measurements**

As shown in the functional block diagram, the bqJUNIOR uses a dedicated fully differential Delta-Sigma Coulomb Counter (DSCC) for charge and discharge current and coulometric measurements and an analog-to-digital converter (ADC) for battery voltage and temperature measurements. Both DSCC and ADC are automatically compensated for offset. No user calibration or compensation is required. An EEPROM offset value can be programmed to compensate for contributions to the DSCC offset due to the PCB layout.

**Charge and Discharge Coulometric and Current Measurements**

The bqJUNIOR uses a DSCC to perform a continuous integration of the voltage waveform across a small value sense resistor in the negative lead of the battery, as shown in Figure 3. The integration of the voltage across the sense resistor is the charge added or removed from the battery. Because the DSCC does a direct integration of the waveform, the shape of the current waveform through the sense resistor does not have any effect on the coulometric measurement accuracy. The low-pass filter that feeds the sense resistor voltage to the bqJUNIOR SRP and SRN inputs filters out system noise and does not affect the coulometric measurement accuracy, because the low-pass filter does not change the integrated value of the waveform. The bqJUNIOR also uses the DSCC to measure current. The reported current is determined by the average voltage across the sense resistor over a 5.12 second interval.



---

## FUNCTIONAL DESCRIPTION (continued)

### Offset Calibration

The offset voltage of the DSCC measurement must be very low to be able to measure small signal levels accurately. The bqJUNIOR provides an auto-calibration feature to cancel the internal voltage offset error across SRP and SRN for maximum charge measurement accuracy. **NO CALIBRATION IS REQUIRED.** External voltage offset error caused by the PCB layout cannot be automatically calibrated out by the gauge, but the external offset can be determined using a built-in user offset measurement command and can be programmed into the EEPROM for inclusion in the offset compensation performed by the gauge. See the *Layout Considerations* section for details on minimizing PCB induced offset across the SRP and SRN pins.

The bqJUNIOR auto-calibration of the DSCC offset is performed from time-to-time as operating conditions change, to keep the measurement error small. A Calibration-In-Progress (CALIP) flag is set in FLAGS to indicate when the operation occurs. Capacity, voltage, and temperature is updated during the 5.12 second offset calibration time, but other parameters are not updated until the calibration has completed. When there is a full reset, the gauge makes an initial quick offset calibration and delays the 5.12 second full offset calibration for at least 40 seconds. This is done to prevent the full 5.12 second calibration operation from interfering with module test functions that need to be performed immediately after power application during manufacturing test. The quick offset calibration after a full reset is a 1.28 second offset measurement used as a delay, followed by a 1.28 second offset measurement that is used as the initial offset value. The 1.28 second delay allows  $V_{CC}$  to settle before the initial offset measurement. If manufacturing test does not need the additional  $V_{CC}$  settling time or can use a slightly worse initial offset measurement, the tester may write bit 0 of CTRL (address 0x00) to 1 during the first 1.28 seconds after the reset and the first offset sample will be used, cutting the initial quick offset calibration time in half.

### Digital Magnitude Filter

The Digital Magnitude Filter (DMF) threshold can be set in EEPROM to indicate a threshold below which any charge or discharge accumulation is ignored. This allows setting a threshold above the maximum DSCC offset expected from the IC and PCB combination, so that when no charge or discharge current is present, the measured capacity change by the bqJUNIOR is zero. Note that even a small offset can add up to a large error over a long period. In addition to setting the threshold above the largest offset expected, the DMF should be set below the minimum signal level to be measured. The sense resistor value should be large enough to allow the minimum current level to provide a signal level substantially higher than the maximum offset voltage. Conversely, the sense resistor must be small enough to meet the system requirement for insertion loss as well as keep the maximum voltage across the sense resistor below the 100 mV maximum that the DSCC can accurately measure.

The DMF threshold is programmed in EEPROM in increments of 4.9  $\mu\text{V}$ . Programming a zero in the DMF value will disable the DMF function and all non-zero DSCC measurements are counted.

### Voltage

The bqJUNIOR monitors the battery voltage through the BAT pin and reports an offset corrected value through the internal registers. The bqJUNIOR also monitors the voltage for the end-of-discharge (EDV) thresholds. The EDV threshold levels are used to determine when the battery has been discharged to 6.25% or *empty* and synchronizes the reported capacity to these levels when the programmed EDV thresholds are detected.

### Temperature

The bqJUNIOR uses an integrated temperature sensor to monitor the pack temperature and is reported through the internal registers. The temperature measurement is used to adjust compensated available capacity and self-discharge capacity loss.

## FUNCTIONAL DESCRIPTION (continued)

### RBI Input

The RBI input pin is used with an external capacitor to provide backup potential to the internal registers when  $V_{CC}$  drops below  $V_{(POR)}$ .  $V_{CC}$  is output on RBI when  $V_{CC}$  is above  $V_{(POR)}$ , charging the capacitor. An optional 1 M $\Omega$  resistor can be added from the RBI pin to  $V_{CC}$ . This allows the IC to maintain RAM register data for an indefinite period when the battery voltage is below  $V_{(POR)}$  and above 1.3 V. The bqJUNIOR checks for RAM corruption by storing a redundant copy of the high byte of NAC and a checkbyte computed from LMD, CYCL, CYCT, and other critical data. After a reset, the bqJUNIOR compares the redundant NAC and checkbyte values. If the checks are correct, NAC, LMD, CYCL, and CYCT are retained; and the CI bit in FLAGS is left unchanged. If these checks are not correct, NAC, CYCL, and CYCT are cleared; LMD is initialized from EEPROM and the CI bit in FLAGS is set to 1. All other RAM is initialized on all resets.

### GPIO

The GPIO pin can be used as an input or an output. The initial state can be established by programming bit 7 in the PKCFG EEPROM location. The input/output state can be changed at any time by changing the value in bit 7 of MODE.

### Layout Considerations

The auto-calibrating DSCC approach effectively cancels the internal offset voltage within the bqJUNIOR, but any external offset caused by PCB layout must be programmed in the EEPROM to be cancelled. The magnitude and variability of the external offset makes it critical to pay special attention to the PCB layout. To obtain optimal performance, the decoupling capacitor from  $V_{CC}$  to  $V_{SS}$  and the filter capacitors from SRP and SRN to  $V_{SS}$  should be placed as closely as possible to the bqJUNIOR, with short trace runs to both signal and  $V_{SS}$  pins. All low-current  $V_{SS}$  connections should be kept separate from the high-current discharge path from the battery and should tie into the high-current trace at a point directly next to the sense resistor. This should be a trace connection to the edge or inside of the sense resistor connection, so that no part of the  $V_{SS}$  interconnections carry any load current and no portion of the high-current PCB trace is included in the effective sense resistor (i.e. Kelvin connection).

### Gas Gauge Operation

Figure 4 illustrates an operational overview of the gas gauge function.

The bqJUNIOR measures the capacity of the battery during actual use conditions and updates the Last Measured Discharge (LMD) register with the latest measured value. The bqJUNIOR retains the learned LMD value unless a full reset occurs. By measuring the capacity that the battery delivers as it is discharged from full to the EDV1 threshold without any disqualifying events, the bqJUNIOR learns the capacity of the battery. The bqJUNIOR does not need to learn a new capacity on each full discharge, and only a discharge during normal use conditions should be used to learn a new capacity. In the event that some abnormal situation occurs that could cause a significant reduction in learned capacity, the LMD value is restricted to a maximum LMD learn-down during any single learning discharge of LMD/8. The Capacity Inaccurate (CI) bit in FLAGS is cleared after a learning cycle. This bit remains cleared unless a full reset occurs or the cycle count since the last learning cycle (CYCL) reaches a count of 32.

The *full* condition is defined as Nominal Available Capacity (NAC) = LMD. The Valid Discharge Flag (VDQ) in the FLAGS register is set when this condition occurs and remains set until the learning discharge cycle completes or an event occurs that disqualifies the learning cycle.

The learning discharge cycle completes when the battery is discharged to the condition where  $VOLT \leq EDV1$  threshold. The EDV1 threshold should be set at a voltage that ensures at least 6.25% of battery capacity below that threshold. The EDVF threshold should be set at a voltage that the system sees as the zero-capacity battery voltage. The bqJUNIOR EDV detection is designed to prevent premature detection of the EDV thresholds due to dynamic load variations. EDV detection has a dynamically adjusted delay of up to 21.5 s with RSOC  $\geq$  6% and down to 3 s when RSOC = 0%.

The bqJUNIOR does not learn the capacity between EDV1 and EDVF thresholds, but assumes that the capacity is 6.25% of LMD; so, care should be taken to set EDV1 based on the characteristics of the battery. The measured LMD value is determined by measuring the capacity delivered from the battery from NAC = LMD until  $VOLT = EDV1$ , plus LMD/16 to account for the 6.25% capacity remaining below the EDV1 threshold.

### FUNCTIONAL DESCRIPTION (continued)

A learning cycle can be disqualified by any of the following conditions:

1. Cold temperature: Temperature  $\leq$  TCOMP[3:0] ( $^{\circ}$ C) when the EDV1 threshold voltage is reached.
2. Light load: A capacity learning cycle is disqualified if average current is less than or equal to 2 times the initial standby load when the EDV1 threshold voltage is reached.
3. Fast voltage drop: VOLT  $\leq$  (EDV1 – 256 mV) before EDV1 is set.
4. Excessive charging: Cumulative Charge  $>$  255 NAC counts (910  $\mu$ Vh) during a learning discharge cycle (alternating discharge/charge/discharge before EDV1 is set).
5. Reset: VDQ is cleared on all resets.
6. Excessive self-discharge: NAC reduction from self-discharge estimate (0.195%) performed 64 times.
7. Self-discharge at termination of learning cycle. If self-discharge estimate causes NAC  $\leq$  LMD/16, VDQ is cleared.

NAC is adjusted by charge and discharge coulometric measurements except when battery full or empty conditions are detected. NAC = LMD is forced when IMIN = 1 (full detection) unless Temperature  $\leq$  TCOMP[3:0] ( $^{\circ}$ C). During a discharge with VDQ = 1, NAC is not allowed to drop below LMD/16 until EDV1 = 1. If EDV1 = 1 occurs when NAC  $>$  LMD/16, NAC = LMD/16 will be forced. NAC = 0 is forced if EDVF = 1.

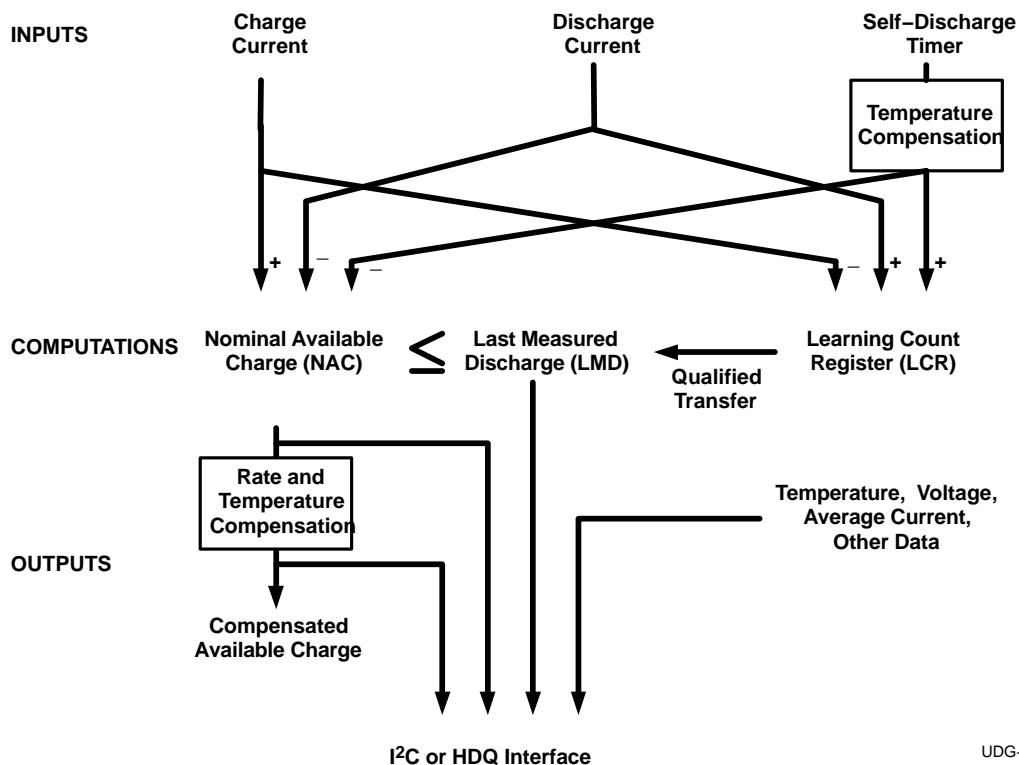


Figure 4. Operational Overview

### Register Interface

The bqJUNIOR stores all calculated information in RAM, which is backed up by the voltage on the RBI input. EEPROM registers store permanent user data. The memory map for bq27000/bq27200 is shown in [Table 1](#).

**FUNCTIONAL DESCRIPTION (continued)****Table 1. bq27000/bq27200 Memory Map**

ADDRESS	NAME	FUNCTION	UNITS	ACCESS
<b>EEPROM Registers</b>				
0x7F	TCOMP	Temperature Compensation Constants, OR, ID#1		R/W
0x7E	DCOMP	Discharge Rate Compensation Constants, OR, ID#2		R/W
0x7D	IMLC	Initial Max Load Current, OR, ID#3	457 $\mu\text{V}^{(1)}$	R/W
0x7C	PKCFG	Pack Configuration Values		R/W
0x7B	TAPER	Aging Estimate Enable, Charge Termination Taper Current	228 $\mu\text{V}^{(1)}$	R/W
0x7A	DMFSD	Digital Magnitude Filter and Self-Discharge Rate Constants		R/W
0x79	ISLC	Initial Standby Load Current	7.14 $\mu\text{V}^{(1)}$	R/W
0x78	SEDV1	Scaled EDV1 Threshold		R/W
0x77	SEDVF	Scaled EDVF Threshold		R/W
0x76	ILMD	Initial Last Measured Discharge High Byte	914 $\mu\text{Vh}^{(1)}$	R/W
0x6F - 0x75	-	RESERVED		R
0x6E	EE_EN	EEPROM Program Enable		R/W
0x2D - 0x6D	-	RESERVED		R
<b>RAM Registers</b>				
0x2C	CSOC	Compensated State-of-Charge	%	R
0x2B - 0x2A	CYCT	Cycle Count Total High - Low Byte	Cycles	R
0x29 - 0x28	CYCL	Cycle Count Since Learning Cycle High - Low Byte	Cycles	R
0x27 - 0x26	TTECP	Time-to-Empty At Constant Power High - Low Byte	Minutes	R
0x25 - 0x24	AP	Average Power High - Low Byte	29.2 $\mu\text{V}^2^{(2)}$	R
0x23 - 0x22	SAE	Available Energy High - Low Byte	29.2 $\mu\text{V}^2\text{h}^{(2)}$	R
0x21 - 0x20	MLTTE	Max Load Time-to-Empty High - Low Byte	Minutes	R
0x1F - 0x1E	MLI	Max Load Current High - Low Byte	3.57 $\mu\text{V}^{(1)}$	R
0x1D - 0x1C	STTE	Standby Time-to-Empty High - Low Byte	Minutes	R
0x1B - 0x1A	SI	Standby Current High - Low Byte	3.57 $\mu\text{V}^{(1)}$	R
0x19 - 0x18	TTF	Time-to-Full High - Low Byte	Minutes	R
0x17 - 0x16	TTE	Time-to-Empty High - Low Byte	Minutes	R
0x15 - 0x14	AI	Average Current High - Low Byte	3.57 $\mu\text{V}^{(1)}$	R
0x13 - 0x12	LMD	Last Measured Discharge High - Low Byte	3.57 $\mu\text{Vh}^{(1)}$	R
0x11 - 0x10	CACT	Temperature Compensated CACD High - Low Byte	3.57 $\mu\text{Vh}^{(1)}$	R
0x0F - 0x0E	CACD	Discharge Compensated NAC High - Low Byte	3.57 $\mu\text{Vh}^{(1)}$	R
0x0D - 0x0C	NAC	Nominal Available Capacity High - Low Byte	3.57 $\mu\text{Vh}^{(1)}$	R
0x0B	RSOC	Relative State-of-Charge	%	R
0x0A	FLAGS	Status Flags		R
0x09 - 0x08	VOLT	Reported Voltage High - Low Byte	mV	R
0x07 - 0x06	TEMP	Reported Temperature High - Low Byte	0.25 $^{\circ}\text{K}$	R
0x05 - 0x04	ARTTE	At-Rate Time-to-Empty High - Low Byte	Minutes	R
0x03 - 0x02	AR	At-Rate High - Low Byte	3.57 $\mu\text{V}^{(1)}$	R/W
0x01	MODE	Device Mode Register		R/W
0x00	CTRL	Device Control Register		R/W

(1) Divide by  $R_s$  in milliohms to convert  $\mu\text{V}$  to mA or  $\mu\text{Vh}$  to mAh.(2) Divide by  $R_s$  in milliohms to convert  $\mu\text{V}^2$  to mW or  $\mu\text{V}^2\text{h}$  to mWh.

## APPLICATION INFORMATION

### Control and MODE Registers (CTRL/MODE) — Address 0x00/0x01

The device control register is used by the host system to request special operations by the bqJUNIOR. The highest priority command set in the MODE register is performed when the host writes data 0xA9 or 0x56 as indicated to the control register. The CTRL register is cleared when the command is accepted. The host must set the appropriate command bit in MODE before sending the command key to CTRL.

### Mode Register (MODE) — Address 0x01

	BIT 7	BIT 6	BIT 5	BIT 4	BIT 3	BIT 2	BIT 1	BIT 0
COMMAND KEY = 0xA9	GPIEN	GPSTAT	WRTNAC	DONE	PRST	POR	FRST	SHIP <sup>(1)</sup>
COMMAND KEY = 0x56	GPIEN	GPSTAT	CEO	CIO	N/A	POR	N/A	N/A

(1) bq27000 only

- GPIEN** GPIEN sets the state of the GPIO pin. A 1 configures the GPIO pin as input, while a 0 configures the GPIO pin as an open-drain output. This bit is initialized to the value of bit 7 of the PKCFG register in the EEPROM. The user should keep this bit set or cleared as desired when other bits in this register are written.
- GPSTAT** GPSTAT sets the state of the open drain output of the GPIO pin (GPIEN = 0). A 1 turns off the open drain output, while a 0 turns the output on. This bit is set to 1 on POR. When the GPIO pin is an input (GPIEN=1), this bit returns the logic state of the GPIO pin. The user should keep this bit set or cleared as desired when other bits in this register are written.
- WRTNAC** WRTNAC is used to transfer data from the AR registers to NAC. Other registers are updated as appropriate. This command is useful during the pack manufacture and test to initialize the gauge to match the estimated battery capacity.
- DONE** DONE is used to write NAC equal to LMD. Useful if the host uses a charge termination method that does not allow the monitor to detect the taper current. The host system could use this command when the charging is complete to force update of internal registers to a full battery condition.
- PRST** Partial reset. This command requests a reset of all RAM registers except NAC, LMD, and the CI bit in FLAGS. This command is intended for manufacturing use.
- POR** The POR status bit is set to 1 by the bqJUNIOR following a Power on Reset. This is a flag to the host that  $V_{CC}$  was less than  $V_{(POR)}$  and caused a reset. The bit is cleared to 0 by the bqJUNIOR when a full charge condition is reached or it may be cleared by the host. The bit is also cleared to 0 after exiting from EEPROM programming or ship. The host may set this bit, but it has no effect on the bqJUNIOR operation. The user should keep this bit set or cleared as desired when other bits in this register are set.
- FRST** Full reset. This command bit requests a full reset. A full reset reinitializes all RAM registers, including the NAC, LMD, and FLAGS registers. This command is intended for manufacturing use.
- SHIP** This command bit requests that the device (bq27000 only) should be put in ship mode. See the *Power Mode* section for a description of the ship mode. This command is intended for manufacturing use.
- CEO** This command bit requests that the external offset value is measured. Care should be taken to insure that no charge or discharge current flows during the time this measurement is made. The external offset value is the total offset of the DSCC plus any external PCB affects. The result can be read in 0x5f-5e. The result is a signed number with an LSB value of 1.225  $\mu$ V. The command takes approximately 5.5 seconds to make the measurement. This command is intended for manufacturing use.
- CIO** This command bit requests that the internal offset value is measured. The internal offset value is the offset of the DSCC with an internal short applied from SRP to SRN. The result can be read in 0x5f-5e. The result is a signed number with an LSB value of 1.225  $\mu$ V. The command takes approximately 5.5 seconds to make the measurement. This command is intended for manufacturing use.

WRTNAC, DONE, PRST, FRST, and SHIP (bq27000 only) commands are prioritized in bit order. This means

that WRTNAC (bit 5) has higher priority than DONE (bit 4); PRST (bit 3) has higher priority than FRST (bit 1), and so on. Only the highest priority mode set is enabled each time the CTRL register is written with data 0xA9, and the firmware clears all other mode bits and the CTRL register when that action is complete. The host system must make two writes for every mode to be enabled: one write to the MODE register to set the appropriate bit and a second write to the CTRL register to signal that the command in the mode register should be executed.

The CIO value may be subtracted from the CEO value to determine the external board offset. This value can be programmed into the PKCFG[4-2] in the EEPROM for automatic compensation of this external offset value.

### At-Rate Registers (ARL/ARH) — Address 0x02/0x03

The host can write the current in units of 3.57  $\mu\text{V}$  per bit to this register for predictive calculation time-to-empty. The part uses this value to predict the time-to-empty at any desired current; it does not affect the time-to-empty calculation based on the actual current. The value in AR is always assumed to be a discharge current.

This register is also used during pack manufacturing to input a nominal available charge value to set NAC to the approximate initial pack capacity value.

### At Rate Time-to-Empty Registers (ARTTEL/ARTTEH) — Address 0x04/0x05

This is predicted time-to-empty in minutes at user-entered discharge rate. The discharge current used in the calculation is entered by the host system in the AR registers. The at-rate capacity (ARCAP) value used can be larger or smaller than CACT. It is computed using the same formulas as CACT, except the discharge compensation is computed using AR, instead of AI, for the discharge rate. The equation used to compute at-rate time-to-empty is:

$$\text{ARTTE} = 60 * \text{ARCAP} / \text{AR}$$

The host system has read-only access to this register pair.

### Reported Temperature Registers (TEMPL/TEMPH) — Address 0x06/0x07

The TEMPH and the TEMPL registers contain the reported die temperature. The temperature is expressed in units of 0.25  $^{\circ}\text{K}$  and is updated every 2.56 seconds. The equation to calculate reported pack temperature is:

$$\text{Temperature} = 0.25 * (256 * \text{TEMPH} + \text{TEMPL})$$

The host system has read-only access to this register pair.

### Reported Battery Voltage registers (VOLTL/VOLTH) — Address 0x08/0x09

The VOLTH and the VOLTL low-byte registers contain the reported battery voltage measured on the BAT pin. Voltage is expressed in mV with an LSB resolution of 1 mV. Reported voltage cannot exceed 5000 mV. The host system has read-only access to this register pair. Voltage is updated every 2.56 seconds.

### Status Flag Register (FLAGS) — Address 0x0A

	BIT 7	BIT 6	BIT 5	BIT 4	BIT 3	BIT 2	BIT 1	BIT 0
NAME	CHGS	NOACT	IMIN	CI	CALIP	VDQ	EDV1	EDVF
POR STATUS	0	0	0	1	0	0	0	0

**CHGS** Charge State flag. A 1 in the CHGS indicates a charge current ( $V_{\text{SRP}} > V_{\text{SRN}}$ ). A 0 indicates a lack of charge activity. This bit should be read when the host system reads the Average Current register pair to determine the sign of the average current magnitude. This bit is cleared to 0 on all resets.

**NOACT** No Activity flag. A 1 indicates that the voltage across  $R_s$  is less than the digital magnitude filter. See the *Digital Magnitude Filter* section for more information. This bit is cleared to 0 on all resets.

**IMIN** Li-ion taper current detection flag. A 1 indicates that the charge current has tapered to less than the value set in EEPROM and that the battery voltage is greater than or equal to the value selected by the QV0 and QV1 bits in the PKCFG register (see EEPROM Data Register description for more details). Taper current detection is disqualified if  $\text{AI} < 8$  (28.6  $\mu\text{V}$  across sense resistor). The taper detection conditions must be maintained for 4 successive average current measurements (20-25 s) to qualify as a valid taper current detection. This bit is cleared to 0 on all resets.

- CI** Capacity Inaccurate flag. A 1 indicates that the firmware has not been through a valid learning cycle and is basing all calculations on initial design values programmed into EEPROM or that there have been at least 32 cycle-count increments since the last learning cycle. This bit is cleared only on a LMD update following a learning cycle. This bit is set to 1 on a full reset. The previous value is retained if no RAM corruption is detected after a reset.
- CALIP** Calibration-In-Progress flag. This flag is set whenever an automatic or commanded offset calibration measurement is being made. This bit is set to 0 on all resets.
- VDQ** Valid Discharge flag. A 1 indicates that the bqJUNIOR has met all necessary requirements for the firmware to learn the battery capacity. This bit clears to 0 on a LMD update or condition that disqualifies a learning cycle. This bit is cleared to 0 on all resets.
- EDV1** First End-of-Discharge-Voltage flag. A 1 indicates that voltage on the BAT pin is less than or equal to the EDV1 voltage programmed in EEPROM and the battery has less than or equal to 6.25% of LMD capacity remaining. LMD updates immediately if the VDQ bit is set when this bit transitions from 0 to 1. This bit is cleared to 0 on all resets.
- EDVF** Final End-of-Discharge-Voltage flag. A 1 indicates that the battery has discharged to the empty capacity threshold. This bit is cleared to 0 on all resets.

The host system has read-only access to this register.

### Relative State-of-Charge (RSOC) — Address 0x0B

RSOC reports the nominal available capacity as a percentage of the last measured discharge value (LMD). The equation is:

$$\text{RSOC (\%)} = 100 * \text{NAC/LMD}$$

The host system has read-only access to this register.

### Nominal Available Capacity Registers (NACL/NACH) — Address 0x0C/0x0D

This register pair increments during charge ( $V_{SRP} > V_{SRN}$ ) if Voltage > EDVF threshold and decrements during discharge ( $V_{SRP} < V_{SRN}$ ). The NAC registers are cleared by a reset if RAM corruption is detected. The register value is retained after a reset if RAM corruption is not detected. The host system has read-only access to this register pair. NAC is reported in units of 3.57  $\mu\text{Vh}$  per count.

### Discharge Rate Compensated Available Capacity Registers (CACDL/CACDH) — Address 0x0E/0x0F

This register pair reports available capacity in the battery, compensated for discharge rate. This register pair follows NAC during charge and is reduced from NAC during discharge by an amount computed from AI and the discharge rate compensation value programmed into EEPROM. CACD is not allowed to increase while discharging, so that if the discharge rate decreases, the available capacity does not increase. CACD equals NAC if the CHGS bit is 1. If CHGS is 0, CACD is the smaller of the previous and new computed values. The host system has read-only access to this register pair. CACD is reported in units of 3.57  $\mu\text{Vh}$  per count.

### Temperature Compensated CACD Registers (CACTL/CACTH) — Address 0x10/0x11

This register pair reports available capacity in the battery, compensated for both discharge rate and temperature. This register pair follows CACD during both charge and discharge unless the temperature has fallen below the threshold programmed into EEPROM. Once the temperature falls below the programmed threshold, the CACT value is reduced from CACD by an amount computed from ILM and the temperature compensation constants programmed into EEPROM. This is the base capacity value used to calculate time-to-empty and compensated state-of-charge. The host system has read-only access to this register pair. CACT is reported in units of 3.57  $\mu\text{Vh}$  per count.

### Last Measured Discharge Registers (LMDL/LMDH) — Address 0x12/0x13

Last measured discharge is the measured discharge capacity of the battery from full to empty. LMD is updated on a valid learning cycle, which occurs when the battery reaches the EDV1 level while the VDQ bit is set. It is used with NAC to calculate Relative State-Of-Charge (RSOC). The host system has read-only access to this register pair. LMD is reported in units of 3.57  $\mu$ Vh per count.

### Average Current Registers (AIL/AIH) — Address 0x14/0x15

This register pair reports the magnitude of the average current through the sense resistor. The value is reported with a resolution of 3.57  $\mu$ V per count. Use the following equation to convert the value to mA, where  $R_S$  is the sense resistor value in milliohms:

$$\text{Average Current} = (256 \cdot \text{AIH} + \text{AIL}) \cdot 3.57 / R_S$$

The current reported is an average over the last 5.12 seconds. The host system has read-only access to this register pair.

### Time-to-Empty Registers (TTEL/TTEH) — Address 0x16/0x17

This register pair reports calculated time-to-empty at the measured discharge rate. This value is based on the temperature and discharge rate compensated available charge and the average current. The equation to calculate TTE is:

$$\text{TTE} = 60 \cdot \text{CACT} / \text{AI}$$

TTE is reported in minutes. The host system has read-only access to this register pair.

### Time-to-Full Registers (TTFL/TTFH) — Address 0x18/0x19

This register pair reports calculated time-to-full at the measured charge rate. The time computed at the average current charge rate is extended by 50% to estimate the effect of the current taper. TTF is reported in minutes. The equation for TTF is:

$$\text{TTF} = 60 \cdot 1.50 \cdot (\text{LMD} - \text{NAC}) / \text{AI}$$

The host system has read-only access to this register pair.

### Standby Current Registers (SIL/SIH) — Address 0x1A/0x1B

This register pair reports measured standby current through the sense resistor. The standby current is an adaptive measurement. Initially, the register pair reports the standby current programmed in EEPROM and after spending some time in standby, the register pair reports the measured standby current. The register value is updated every 5.12 seconds when the measured current is above the DMF threshold and is less than or equal to 2x the initial programmed standby current value. Each new SI value is computed as follows:

$$SI_{\text{NEW}} = (15/16) \cdot SI_{\text{OLD}} + (1/16) \cdot \text{AI}$$

This filter function allows the reported standby current to shift towards the actual measured current with a time constant of approximately 67 seconds. The value is reported with a resolution of 3.57  $\mu$ V per bit. Use the following equation to convert the value to mA, where  $R_S$  is the sense resistor value in milliohms:

$$\text{Standby Load Current} = (256 \cdot \text{SIH} + \text{SIL}) \cdot (3.57 / R_S)$$

The host system has read-only access to this register pair.

### Standby Time-to-Empty Registers (STTEL/STTEH) — Address 0x1C/0x1D

This register pair reports calculated time-to-empty at the measured standby current value. This value is based on the nominal available charge and the standby current. STTE is reported in minutes. STTE is calculated by:

$$\text{STTE} = 60 \cdot \text{NAC} / \text{SI}$$

The host system has read-only access to this register pair.



### Max Load Current Registers (MLIL/MLIH) — Address 0x1E/0x1F

This register pair reports the measured maximum load current through sense resistor. The max load current is an adaptive measurement of the maximum load conditions. If the measured current is ever greater than the initial Max Load Current programmed in EEPROM, the register pair updates to the new current. MLI is reduced to the average of the previous value and the initial value in EEPROM whenever the battery is charged to full after a previous discharge to an RSOC less than 50%. This keeps it from being stuck at an unusually high value. The value is reported in units of 3.57  $\mu\text{V}$  per count. Use the following equation to convert the value to mA, where  $R_S$  is the sense resistor value in milliohms:

$$\text{Max Load Current} = (256 * \text{MLIH} + \text{MLIL}) * (3.57 / R_S)$$

The host system has read-only access to this register pair.

### Max Load Time to Empty Registers (MLTTEL/MLTTEH) — Address 0x20/0x21

This register pair reports calculated time-to-empty in minutes at the maximum measured discharge rate. The Max Load Capacity (MLCAP) value is based on the temperature and discharge rate compensated available capacity computed using MLI, instead of AI, for the discharge rate. MLTTE is calculated by:

$$\text{MLTTE} = 60 * \text{MLCAP} / \text{MLI}$$

The host system has read-only access to this register pair.

### Available Energy Registers (SAEL/SAEH) — Address 0x22/0x23

SAE is the calculated energy available from the battery. The available energy is computed by multiplying the compensated available capacity with the average of reported voltage and EDVF threshold voltage while discharging. SAE is not allowed to increase while discharging, so that if the discharge rate decreases, the available energy does not increase. This is accomplished by reporting the smaller of the previous and new computed values. During charging, the available energy uses a computed value for average voltage to avoid an inflated energy report due to the increased voltage. The value is reported in units of 29.2  $\mu\text{V}^2\text{h}$  per count. Use the following equation to convert the value to mWh, where  $R_S$  is the sense resistor value in milliohms.

$$\text{SAE(mWh)} = (256 * \text{SAEH} + \text{SAEL}) * 29.2 / R_S(\text{m}\Omega)$$

While charging SAE is calculated as:

$$\text{SAE} = 8 * \text{CACT} * (3088 + 512 * \text{NAC} / \text{LMD}) / 65536,$$

and while discharging SAE is calculated as:

$$\text{SAE} = 4 * \text{CACT} * (\text{Reported Voltage} + \text{EDVF}) / 65536$$

The host system has read-only access to this register pair.

### Average Power Registers (APL/APH) — Address 0x24/0x25

Average power is the calculated power delivered during a discharge. It is the product of average current and reported voltage, reported in units of 29.2  $\mu\text{V}^2$  per bit. Use the following formula to convert the value to mW, where  $R_S$  is the sense resistor value in milliohms.

$$\text{AP(mW)} = (256 * \text{APH} + \text{APL}) * 29.2 / R_S(\text{m}\Omega)$$

$$\text{AP} = 8 * \text{AI} * \text{Reported Voltage} / 65536, \text{ while discharging}$$

$$\text{AP} = 0, \text{ while charging}$$

The host system has read-only access to this register pair.

### Time-to-Empty at Constant Power Registers (TTECP/TTECPH) — Address 0x26/0x27

TTECP is the time-to-empty in minutes with a constant power load. Because SAE is already scaled for the average discharge voltage, the result is simply the ratio of SAE to AP:

$$\text{TTECP} = 60 * \text{SAE} / \text{AP}$$

The host system has read-only access to this register pair.

### Cycle Count Since Learning Cycle Registers (CYCLL/CYCLH) — Address 0x28/0x29

CYCL is the cycle count since the last learning cycle. Each count indicates an increment of CYCT since there was a learning cycle. This register is cleared every time there is a learning cycle. When this count reaches 32, it forces the CI flag in FLAGS to a 1. The host system has read-only access to this register pair.

### Cycle Count Total Registers (CYCTL/CYCTH) — Address 0x2A/0x2B

CYCT is the cycle count since a full reset. A full reset clears this register. Each count indicates a cumulative discharge equal to the Design Capacity (256 \* ILMD). The host system has read-only access to this register pair.

### Compensated State-of-Charge (CSOC) — Address 0x2C

CSOC reports the compensated available capacity as a percentage of the last measured discharge value (LMD). The equation is:

$$\text{CSOC (\%)} = 100 * \text{CACT/LMD}$$

The host system has read-only access to this register.

### Reserved Registers

Addresses 0x2D — 0x6D and Address 0x6F — 0x75 are reserved and cannot be written by host.

### EEPROM Enable Register (EE\_EN) — Address 0x6E

This register is used to enable host writes to EEPROM data locations (addresses 0x76 — 0x7F). The host must write data 0xDD to this register to enable EEPROM programming. See the *Programming the EEPROM* section for further information on programming the EEPROM bytes. Care should be taken to insure that no value except 0xDD is written to this location.

### EEPROM Data Registers (EE\_DATA) — Address 0x76 — 0x7F

The EEPROM data registers contain information vital to the performance of the device. These registers are to be programmed during pack manufacturing to allow flexibility in the design values of the battery to be monitored. The EEPROM data registers are listed in [Table 2](#). Detailed descriptions of what should be programmed follow. See the *Programming the EEPROM* section for detailed information on writing the values to EEPROM.

**Table 2. bq27000/bq27200 EEPROM Memory Map**

Address	Name	Function
0x7F	TCOMP	Temperature compensation constants, OR, ID#1
0x7E	DCOMP	Discharge rate compensation constants, OR, ID#2
0x7D	IMLC	Initial max load current, OR, ID#3
0x7C	PKCFG	Pack configuration values
0x7B	TAPER	Aging estimate enable [7], charge termination taper current [6:0]
0x7A	DMFSD	Digital magnitude filter and self-discharge rate constants
0x79	ISLC	Initial standby load current
0x78	SEDV1	Scaled EDV1 threshold
0x77	SEDVF	Scaled EDVF threshold
0x76	ILMD	Initial last measured discharge high byte

### Initial Last Measured Discharge High Byte (ILMD) — Address 0x76

This register contains the scaled design capacity of the battery to be monitored. The equation to calculate the initial LMD is:

$$\text{ILMD} = \text{Design Capacity(mAh)} * R_s(\text{m}\Omega) / (256 * 3.57)$$

where  $R_s$  is the value of the sense resistor used in the system. This value is used to initialize the high byte of LMD. The initial low byte value of LMD is 0.

### Scaled EDVF Threshold (SEDFV) — Address 0x77

This register contains the scaled value of the threshold for zero battery capacity. To calculate the value to program, use the following equation:

$$\text{SEDFV} = \text{Design EDVF(mV)} / 8 - 256$$

### Scaled EDV1 Threshold (SEDV1) — Address 0x78

This register contains the scaled value of the voltage when the battery has 6.25% remaining capacity. When the battery reaches this threshold during a valid discharge, the device learns the full battery capacity, including the remaining 6.25%. See the *bqJUNIOR Capacity Learning* section for more information on the learning cycles of the device. To calculate the value to program, use the following equation:

$$\text{SEDV1} = \text{Design EDV1(mV)} / 8 - 256$$

### Initial Standby Load Current (ISLC) — Address 0x79

This register contains the scaled, end-equipment-design standby current. On a reset or POR, this value is transferred to the SI register and is used to calculate Standby Time-to-Empty. The gauge learns a new standby load if the discharge activity is above the DMF threshold and less than or equal to 2 times the initial standby load.

A capacity learning cycle is disqualified if average current is less than or equal to 2 times the initial standby load when the EDV1 threshold voltage is reached. The equation for programming this value is:

$$\text{ISLC} = \text{Design Standby Current (mA)} * R_S(\text{m}\Omega) / 7.14$$

where  $R_S$  is the value of the sense resistor used in the system.

### Digital Magnitude Filter and Self-Discharge Values (DMFSD) — Address 0x7A

	BIT 7	BIT 6	BIT 5	BIT 4	BIT 3	BIT 2	BIT 1	BIT 0
NAME	DMF[3]	DMF[2]	DMF[1]	DMF[0]	SD[3]	SD[2]	SD[1]	SD[0]

**DMF[3:0]** Sets the digital magnitude filter threshold. See the *bqJUNIOR Digital Magnitude Filter* section for more information on the function of the DMF. The value to be programmed is:  $\text{DMF}[3:0] = \text{Design Threshold} / 4.9$

**SD[3:0]** Sets the self-discharge rate %/day value at 25°C. The value to be programmed is:  $\text{SD}[3:0] = 1.61 / \text{Design SD}$

NAC is reduced with an estimated self-discharge correction to adjust for the expected self-discharge of the battery. This estimation is performed only when the battery is not being charged. The rate programmed in EEPROM for DMFSD determines the self-discharge when  $20^\circ\text{C} \leq \text{TEMP} < 30^\circ\text{C}$ . The self-discharge estimation is doubled for each  $10^\circ\text{C}$  decade hotter than the  $20\text{-}30^\circ\text{C}$  decade, up to a maximum of 16 times the programmed rate for  $\text{TEMP} \geq 60^\circ\text{C}$  and is halved for each  $10^\circ\text{C}$  decade colder than the  $20\text{-}30^\circ\text{C}$  decade, down to a minimum of 1/4th the programmed rate for  $\text{TEMP} < 0^\circ\text{C}$ . The self-discharge estimation is performed by reducing NAC by  $\text{NAC} / 512$  at a time interval that achieves the desired estimation. If DMFSD is programmed with 8 decimal, the self-discharge rate is 0.195% per day in the  $20\text{-}30^\circ\text{C}$  decade. This is accomplished by reducing NAC by  $\text{NAC} / 512$  ( $100 / 512 = 0.195\%$ ) a single time every 23.3 hours ( $0.195 * 24 / 23.3 = 0.2$ ). If temperature rises by  $10^\circ\text{C}$ , the 0.195% NAC reduction is made every 11.65 hours for a 0.4% per day reduction. If  $\text{TAPER}[7] = 1$ , capacity aging is enabled, and there is an LMD reduction of 0.1% ( $\text{Design Capacity} / 1024$ ) every time there are 8 NAC self-discharge estimate reductions without charging the battery to full.

### Taper Current (TAPER) — Address 0x7B

This register contains the enable bit for the capacity aging estimate and the charge taper current value. The taper current value, in addition to battery voltage, is used to determine when the battery has reached a full charge state. The equation for programming the taper current is:

$$\text{TAPER}[6-0] = \text{Design Taper Current (mA)} * R_S(\text{m}\Omega) / 228 \mu\text{V}$$

where  $R_S$  is the value of the sense resistor used in the system.

TAPER[7] should be set to 1 to enable the automatic aging of the LMD full capacity value. If this feature is enabled, LMD is reduced by Design Capacity/1024 every time CYCL increments by 2 and every time that a cumulative NAC self-discharge estimate reduction of 1.56% has been made without charging the battery to full. If TAPER[7] is set to 0, there is no LMD reduction with cycle count or self-discharge.

### Pack Configuration (PKCFG) — Address 0x7C

	BIT 7	BIT 6	BIT 5	BIT 4	BIT 3	BIT 2	BIT 1	BIT 0
NAME	GPIEN	QV1	QV0	BOFF(2)	BOFF(1)	BOFF(0)	DCFIX	TCFIX

**GPIEN** Allows the pack manufacturer to set the state of the GPIO pin on initial power up. If the bit is 0, the GPIEN bit is cleared on reset and the GPIO pin acts as a high-impedance output. If the bit is 1, the GPIEN bit is set on reset and the GPIO pin acts as an input. The state of the GPIO pin can then be read through the GPSTAT bit in the MODE register.

**QV1 & QV0** These bits set the minimum qualification voltage for charge termination. The termination voltage thresholds are set as listed in [Table 3](#).

**Table 3. Charge Termination Voltage Settings**

QV1	QV0	Voltage (mV)
0	0	3968
0	1	4016
1	0	4064
1	1	4112

**BOFF** These bits are used to store a typical board offset value for the gauge. This value is added to the internal offset measurement and the total applied as an offset correction for the charge and discharge coulometric measurements made by the DSCC. This is a 2s-complement signed number with a value of 2.45  $\mu$ V per bit.

**Table 4. Board Offset Voltage Settings**

Board Offset	BOFF(2)	BOFF(1)	BOFF(0)
7.35 $\mu$ V	0	1	1
4.9 $\mu$ V	0	1	0
2.45 $\mu$ V	0	0	1
0	0	0	0
-2.45 $\mu$ V	1	1	1
-4.9 $\mu$ V	1	1	0
-7.35 $\mu$ V	1	0	1
-9.8 $\mu$ V	1	0	0

**DCFIX** Fixed discharge compensation. Normal discharge rate compensation (DCOMP register) is used if this bit is set to 0. If this bit is set to 1, the device assumes a fixed value of 0x42 for DCOMP, giving a discharge rate compensation gain of 6.25% with a compensation threshold of C/4. Setting the bit to 1 frees the EEPROM location of 0x7E for use as a programmable identification byte.

**TCFIX** Fixed temperature compensation. Normal temperature compensation (TCOMP register) is used if this bit is set to 0. If this bit is set to 1, the device assumes a fixed value of 0x7C for TCOMP, giving a temperature compensation gain of 0.68% of Design Capacity/ $^{\circ}$ C with an offset of 12 $^{\circ}$ C. Setting this bit to 1 frees the EEPROM location of 0x7F for use as a programmable identification byte.

### Initial Max Load Current (IMLC) — Address 0x7D

This register contains the scaled, end-equipment-design maximum current. On a full reset or POR, this value is transferred to the MLI register and used to calculate max load time-to-empty. The device learns a new maximum load if the current exceeds the initial maximum load. The equation for programming this value is:

$$\text{IMLC} = \text{Design Max Current (mA)} * R_s(\text{m}\Omega)/457 \mu\text{V}$$

where  $R_s$  is the value of the sense resistor used in the system.

The user can optionally use this byte in the EEPROM as an identification byte. If so used, the user should ignore the values in MLI and MLTTE registers.

### Discharge Rate Compensation Constants (DCOMP) — Address 0x7E

This register is used to set the compensation coefficients for discharge rate. These coefficients are applied to the nominal available charge to more accurately predict capacity at high discharge rates.

	BIT 7	BIT 6	BIT 5	BIT 4	BIT 3	BIT 2	BIT 1	BIT 0
NAME	DCGN[5]	DCGN[4]	DCGN[3]	DCGN[2]	DCGN[1]	DCGN[0]	DCOFF[1]	DCOFF[0]

**DCGN[5:0]** Discharge rate compensation gain. Used to set the slope of the discharge rate capacity compensation. The gain factor adjustment is in increments of 0.39% of discharge current in excess of the DCOFF value. The equation for programming the value is:

$$DCGN[5:0] = 2.56 * \text{Design discharge compensation gain } \%$$

**DCOFF[1:0]** These bits set the discharge threshold of compensating the nominal available charge for discharge rate. The threshold is set as listed in [Table 5](#).

**Table 5. Discharge Rate Compensation Thresholds**

DCOFF[1]	DCOFF[0]	DCOFF Threshold
0	0	0
0	1	C/2 (ILMD*256÷2)
1	0	C/4 (ILMD*256÷4)
1	1	C/8 (ILMD*256÷8)

Discharge compensation, DCMP, is computed from these coefficients as follows:

$$DCMP = DCGN(AI-DCOFF)/256$$

where  $DCMP \geq 0$ . The CACD register then takes on the value:

$$CACD = NAC - (DCMP - LMDCMP), \text{ if } DCMP > LMDCMP \text{ or}$$

$$CACD = NAC, \text{ if } DCMP \leq LMDCMP$$

where LMDCMP is the value of DCMP when the last LMD value was learned. This allows the compensation for CACD to adapt as the LMD value is learned.

If PKCFG[1] = 1, the device assumes a fixed value of 0x42 for DCOMP, giving a discharge rate compensation gain of 6.25% with a compensation threshold of C/4. This frees the EEPROM location of 0x7E for use as a programmable identification byte.

### Temperature Compensation Constants (TCOMP) — Address 0x7F

This register is used to set the compensation coefficients for temperature. These coefficients are applied to the discharge rate compensated available charge to more accurately predict capacity available at cold temperature.

BIT 7	BIT 6	BIT 5	BIT 4	BIT 3	BIT 2	BIT 1	BIT 0
TCGN[3]	TCGN[2]	TCGN[1]	TCGN[0]	NAME TOFF[3]	TOFF[2]	TOFF[1]	TOFF[0]

**TCGN[3:0]** Temperature compensation gain. Used to set the slope of the compensation as a percentage of Design Capacity (DC) decrease per °C. The equation for programming the value is:

$$TCGN[3:0] = 10.24 * \text{Design Temp Compensation Gain } \% \text{ DC}/^{\circ}\text{C}$$

**TOFF[3:0]** Temperature compensation offset. Used to set the offset of the compensation. The temperature threshold is also used as the cold temperature disqualification for a learning cycle. The equation for programming the value is:

$$TOFF[3:0] = \text{Design Temp Compensation Offset } (^{\circ}\text{K}) - 273$$

Temperature compensation, TCMP, is computed from these coefficients as follows:

$$TCMP = TCGN * ILM(273 + TOFF - T)/4$$

where T is the temperature in °K and  $TCMP \geq 0$ . CACT is then computed as follows:

$$CACT = CACD - TCMP$$

If PKCFG[0] = 1, the device assumes a fixed value of 0x7C for TCOMP, giving a temperature compensation gain of 0.68% DC/°C with an offset of 12°C. This frees the EEPROM location of 0x7F for use as a programmable identification byte.

### Power Modes

The bqJUNIOR has five power modes: Active, Sleep, Ship, Hibernate, and Data Retention (RBI). Figure 5 shows the flow that moves the device between the Active, Sleep, and Ship modes. Hibernate and Data Retention are special modes not included in the flow. Detailed explanations of each mode follow the diagram in Figure 5.

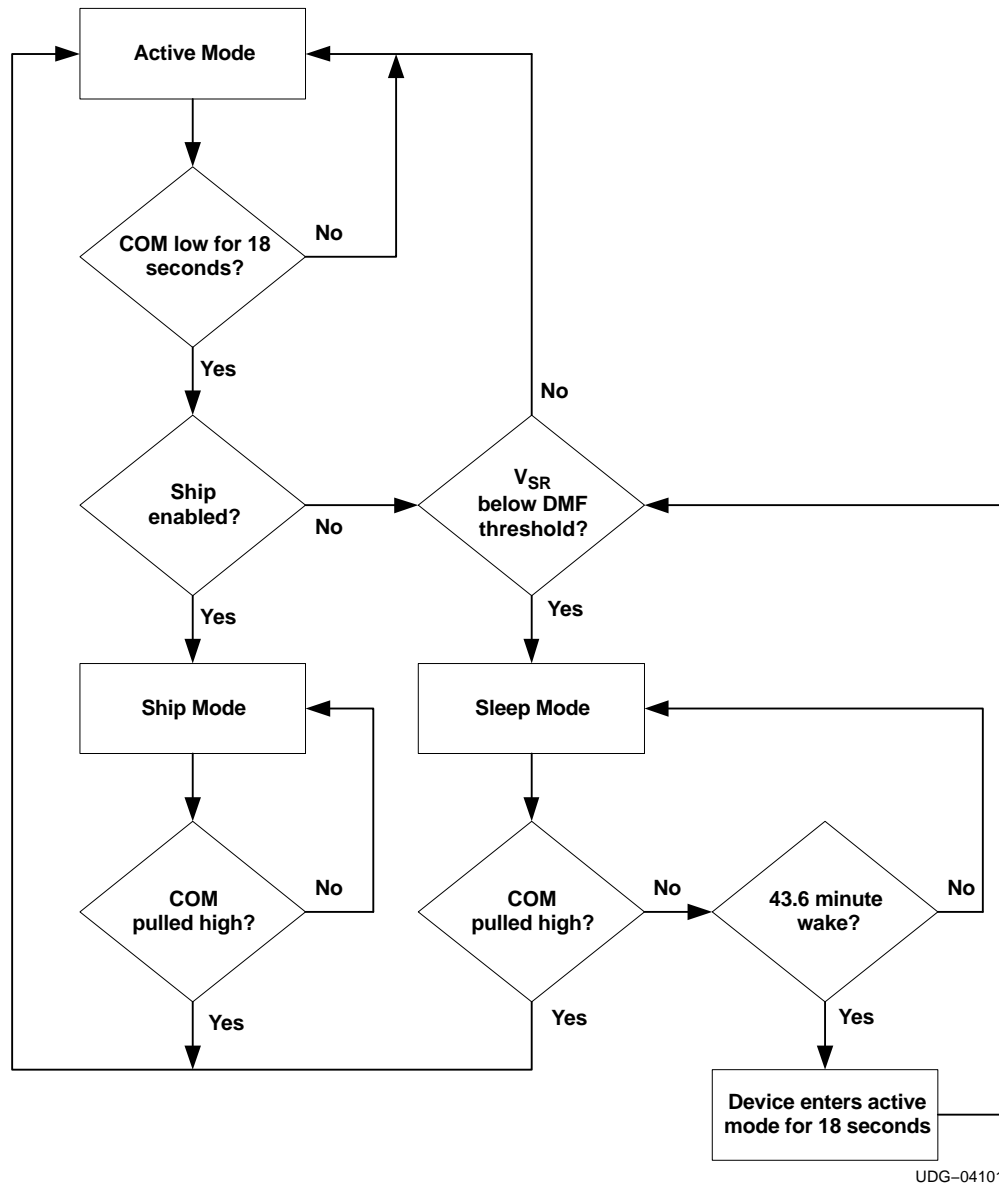


Figure 5. Power Mode Flow Chart

## Active Mode

During normal operation, the device is in active mode, which corresponds to the highest power consumption. Normal gas gauging is performed in this mode. If system requirements mandate that bqJUNIOR should not enter Sleep or Ship modes, then an external pullup resistor from  $V_{CC}$  to keep HDQ or CLK and DTA at a logic 1 is required on the bqJUNIOR side of the system. The resistor value chosen should be small enough to force a logic 1 even with the internal pulldown current and any external ESD protection circuitry loading.

## Sleep Mode

This low power mode is entered when the HDQ or CLK and/or DTA line is pulled low for at least 18 seconds and the charge or discharge activity is below the DMF threshold. Normal gas gauging ceases, but battery self-discharge, based on the temperature when the device entered sleep mode, is maintained internally. The device wakes every 43.6 minutes to update the temperature measurement and goes back to sleep after about 18 seconds if the HDQ or CLK and/or DTA line is still low and the charge or discharge activity is still below the DMF threshold. The bqJUNIOR has an internal 3  $\mu$ A pulldown current on each communication line, eliminating the need to add external pulldown resistors to force a logic 0 on open communication lines.

When the device wakes, it stays in active mode long enough to confirm that the charge or discharge activity is still below the digital magnitude filter threshold. This is meant to minimize possible error if the battery pack is removed from the end equipment for a short period of time and then reinserted, and there is not a transient on the communication lines to pull the device into the active mode. This is an issue only if the system has some current drain from the battery even though the communication lines are low. The gauge reenters sleep mode when the charge or discharge activity falls below the digital magnitude filter threshold.

When all communication lines are pulled high, the device leaves the sleep mode. If the DMF threshold is set to zero and a communication line is pulled low, the device does not enter sleep mode until the average current value is less than 3.57  $\mu$ V/Rsr.

If the battery pack can be removed and placed on an external charger, the charger should have a pull-up resistor on the HDQ or SCL and SDA lines to wake the part from sleep. A 100 k $\Omega$  pullup resistor from communication line(s) to  $V_{CC}$  can be added in the battery pack to disable the sleep function.

## Ship Mode (bq27000 only)

This low power mode is to be used when the pack manufacturer has completed assembly and test of the pack. The ship mode is enabled by setting the SHIP bit in the MODE register and issuing the control command (data 0xA9 to register 0x00). Ship mode is entered only when the ship mode is enabled and the HDQ or CLK and/or DTA line has been pulled low for at least 18 seconds. This allows the pack manufacturer to enable the ship mode and pull the pack from the test equipment without any additional overhead. Transients on a communication line after the ship mode has been enabled but before the device has entered ship mode, do not cause the device to stay in active mode. Transients on a communication line, after the device has entered ship mode can wake the part from ship mode, but if there is no charge or discharge activity above the DMF threshold, the part automatically enters the Sleep mode as previously described.

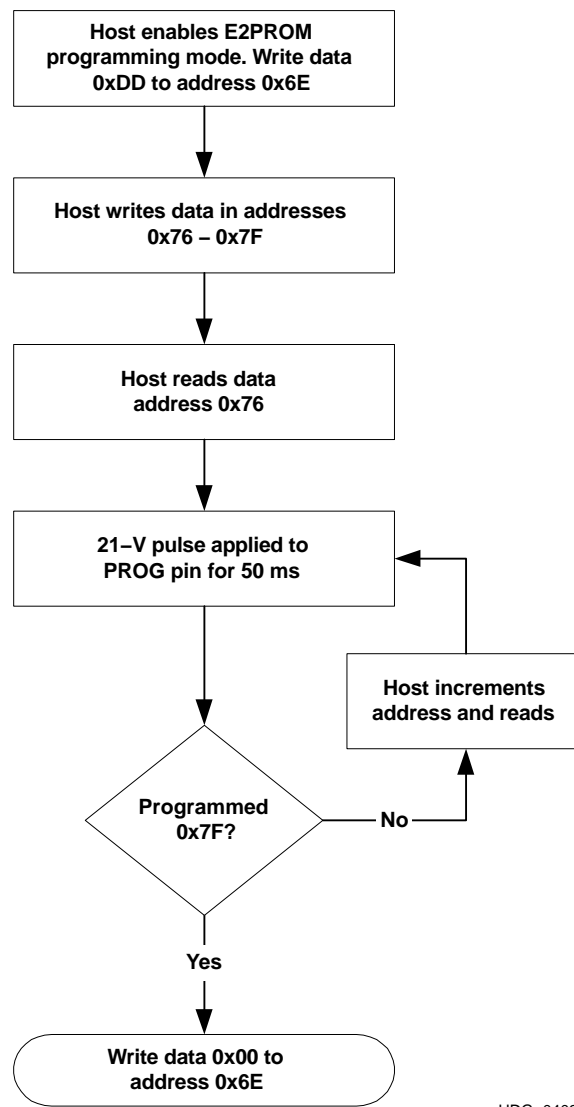
All device functionality stops in ship mode and it does not start again until the communication lines are pulled high or the battery voltage drops below and then rises above the  $V_{(POR)}$  threshold. A full reset is forced when the part leaves ship mode. If the current NAC value must be retained after waking, ship mode should not be used.

## Hibernate Mode

The device enters hibernate mode when  $V_{CC}$  drops below  $V_{(POR)}$ .  $V_{CC}$  must be raised above  $V_{(POR)}$  in order to exit the hibernate mode. If RBI voltage does not drop below 1.3 V, RAM content is maintained and allows retention of NAC, LMD, CYCL, CYCT, and the CI flag after  $V_{CC}$  is raised above  $V_{(POR)}$ .

## Programming the EEPROM

The bqJUNIOR has 10 bytes of EEPROM that are used for firmware control and application data (see the *bqJUNIOR Register Descriptions* section for more information). Programming the EEPROM should take place during pack manufacturing because a 21 V pulse is needed on the PROG pin. The programming mode must be enabled prior to writing any values to the EEPROM locations. The programming mode is enabled by writing to the EE\_EN register (address 0x6E) with data 0xDD. Once the programming mode is enabled, the desired data can be written to the appropriate address. [Figure 6](#) shows the method for programming all locations.



UDG-04099

**Figure 6. EEPROM Programming Flow**

It is not required that addresses 0x76 — 0x7F be programmed at the same time or in any particular order. The programming method illustrated in Figure 6 can be used to program any of the bytes as long as the sequence of Enable, Write, Read, Apply Programming Pulse, and Disable is followed.

### Communicating With the bq27000 (HDQ interface)

The bq27000 includes a single-wire HDQ serial data interface. Host processors, configured for either polled or interrupt processing, can use the interface to access various bq27000 registers. The HDQ pin is an open-drain device, which requires an external pullup resistor. The interface uses a command-based protocol, where the host processor sends a command byte to the bq27000. The command directs the bq27000 either to store the next eight bits of data received to a register specified by the command byte or to output the eight bits of data from a register specified by the command byte.

The communication protocol is asynchronous return-to-one and is referenced to  $V_{SS}$ . Command and data bytes consist of a stream of eight bits that have a maximum transmission rate of 5 Kbits/s. The least-significant bit of a command or data byte is transmitted first. Data input from the bqJUNIOR can be sampled using the pulse-width capture timers available on some microcontrollers. A UART can also be configured to communicate with the bq27000.



If a communication timeout occurs (for example, if the host waits longer than  $T_{(RSPS)}$  for the bq27000 to respond) or if this is the first access command, then a BREAK should be sent by the host. The host may then resend the command. The bq27000 detects a BREAK when the HDQ pin is driven to a logic-low state for a time  $T_{(B)}$  or greater. The HDQ pin then returns to its normal ready-high logic state for a time  $T_{(BR)}$ . The bq27000 is then ready for a command from the host processor.

The return-to-one data-bit frame consists of three distinct sections:

1. The first section starts the transmission by either the host or the bq27000 taking the HDQ pin to a logic-low state for a period equal to  $T_{(HW1)}$  or  $T_{(DW1)}$ .
2. The next section is the actual data transmission, where the data should be valid for  $T_{(HW0)}$ -  $T_{(HW1)}$  or  $T_{(DW0)}$ -  $T_{(DW1)}$ .
3. The final section stops the transmission by returning the HDQ pin to a logic-high state and holding it high until the time from bit start to bit end is equal to  $T_{(CYCH)}$  or  $T_{(CYCD)}$ .

The HDQ line can remain high for an indefinite period of time between each bit of address or between each bit of data on a write cycle. After the last bit of address is sent on a read cycle, the bq27000 starts outputting the data after  $T_{(RSPS)}$  with timing as specified. The serial communication timing specification and illustration sections give the timings for data and break communication. Communication with the bq27000 always occurs with the least-significant bit being transmitted first.

Plugging in the battery pack can be seen as the start of a communication due to contact bounce. It is recommended that each communication or string of communications be preceded by a break to reset the HDQ engine.

## Command byte

The Command byte of the bqJUNIOR consists of eight contiguous valid command bits. The command byte contains two fields: W/R Command and address. The Command byte values are shown as follows:

7	6	5	4	3	2	1	0
W/R	AD6	AD5	AD4	AD3	AD2	AD1	AD0

**W/R** Indicates whether the command bytes is a read or write command. A 1 indicates a write command and that the following eight bits should be written to the register specified by the address field of the Command byte, whereas a 0 indicates that the command is a read. On a read command, the bqJUNIOR outputs the requested register contents specified by the address field portion of the Command byte.

**AD6-AD0** The seven bits labeled AD6—AD0 containing the address portion of the register to be accessed.

## Reading 16-bit Registers

Because 16-bit values are read only 8 bits at a time with the HDQ interface, it is possible that the device can update the register value between the time the host reads the first and second bytes. To prevent any system issues, any 16-bit values read by the host should be read with the following procedure.

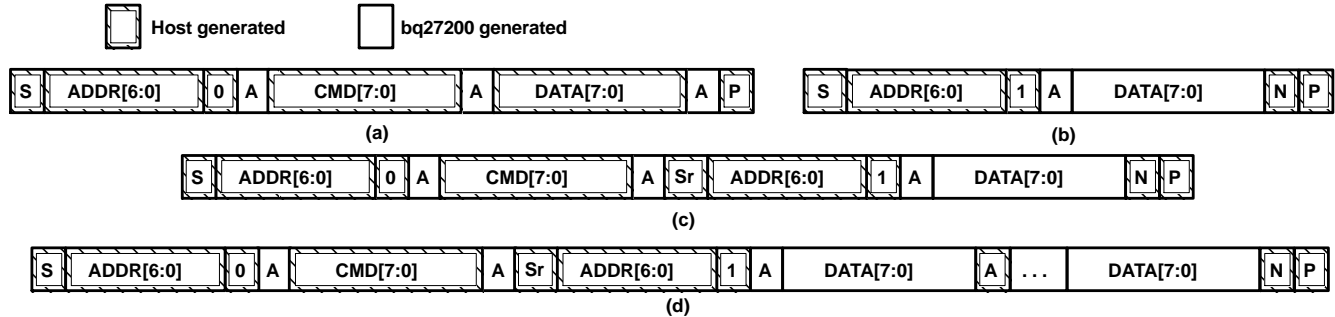
1. Read high byte (H0).
2. Read low byte (L0).
3. Read high byte (H1).
4. If H1=H0, then valid result is H0, L0.
5. Otherwise, read low byte (L1) and valid result is H1, L1.

This procedure assumes that the 3 or 4 reads are made more quickly than the update rate of the value. The maximum update rate of any value in the bq27000/bq27200 is 1.28 seconds.

The bq27200 circumvents this issue if a 16-bit value is read using the I<sup>2</sup>C incremental read procedure. Both low and high bytes are captured simultaneously when the low byte is read.

### Communicating with the bq27200 (I<sup>2</sup>C interface)

The bq27200 supports the standard I<sup>2</sup>C read, incremental read, quick read, and one byte write functions. The 7-bit device address (ADDR) is the most significant 7 bits of the hex address and is fixed as 1010101. The 8-bit device address is therefore 0xAA or 0xAB for write or read, respectively. (S = Start, Sr = Repeated Start, A = Acknowledge, N = No Acknowledge, and P = Stop)

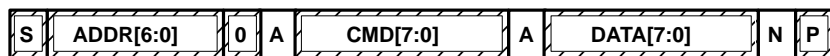


**Figure 7. Supported I2C formats :**  
**(a) 1-byte write; (b) quick read; (c) 1-byte read; (d) incremental read**

The incremental read protocol is recommended for reading all 16-bit values, as this ensures that the 16-bit value is not updated during the time interval between reading the two bytes of data (see previous section on reading 16-bit values). The quick read returns data at the address indicated by the internal address pointer. The address pointer is incremented after each data byte is read or written. Reading an even address causes the communication engine to simultaneously capture the data byte from the requested even address and the data byte from the next odd address, and the address pointer is incremented twice. The data byte captured from the next odd address is output if the communication continues, without a stop, after the host acknowledges the even address byte.

Due to the memory map setup of the device, several boundary conditions must be enforced by the communication engine.

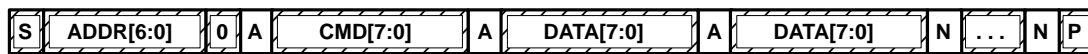
Attempt to write a read-only address (NACK after data sent by master):



Attempt to read an address above 0x7F (NACK command):



Attempt at incremental writes (NACK all extra data bytes sent):



Incremental read at the maximum allowed read address:



The I<sup>2</sup>C engine releases both SDA and SCL if the I<sup>2</sup>C bus is held low for T<sub>(BUSERR)</sub>. If the bq27200 was holding the lines, releasing them frees the master to drive the lines. If an external condition is holding either of the lines low, the I<sup>2</sup>C engine enters the low-power sleep mode if the measured charge and discharge activity level are less than the DMF threshold.

**PACKAGING INFORMATION**

Orderable Device	Status (1)	Package Type	Package Drawing	Pins	Package Qty	Eco Plan (2)	Lead/Ball Finish (6)	MSL Peak Temp (3)	Op Temp (°C)	Device Marking (4/5)	Samples
BQ27000DRKR	NRND	VSON	DRK	10	3000	Green (RoHS & no Sb/Br)	NIPDAU	Level-2-260C-1 YEAR	-20 to 70	27000	
BQ27000DRKRG4	NRND	VSON	DRK	10	3000	Green (RoHS & no Sb/Br)	NIPDAU	Level-2-260C-1 YEAR	-20 to 70	27000	
BQ27200DRKR	NRND	VSON	DRK	10	3000	Green (RoHS & no Sb/Br)	NIPDAU	Level-2-260C-1 YEAR	-20 to 70	27200	
BQ27200DRKRG4	NRND	VSON	DRK	10	3000	Green (RoHS & no Sb/Br)	NIPDAU	Level-2-260C-1 YEAR	-20 to 70	27200	

(1) The marketing status values are defined as follows:

**ACTIVE:** Product device recommended for new designs.

**LIFEBUY:** TI has announced that the device will be discontinued, and a lifetime-buy period is in effect.

**NRND:** Not recommended for new designs. Device is in production to support existing customers, but TI does not recommend using this part in a new design.

**PREVIEW:** Device has been announced but is not in production. Samples may or may not be available.

**OBSELETE:** TI has discontinued the production of the device.

(2) **RoHS:** TI defines "RoHS" to mean semiconductor products that are compliant with the current EU RoHS requirements for all 10 RoHS substances, including the requirement that RoHS substance do not exceed 0.1% by weight in homogeneous materials. Where designed to be soldered at high temperatures, "RoHS" products are suitable for use in specified lead-free processes. TI may reference these types of products as "Pb-Free".

**RoHS Exempt:** TI defines "RoHS Exempt" to mean products that contain lead but are compliant with EU RoHS pursuant to a specific EU RoHS exemption.

**Green:** TI defines "Green" to mean the content of Chlorine (Cl) and Bromine (Br) based flame retardants meet JS709B low halogen requirements of <=1000ppm threshold. Antimony trioxide based flame retardants must also meet the <=1000ppm threshold requirement.

(3) MSL, Peak Temp. - The Moisture Sensitivity Level rating according to the JEDEC industry standard classifications, and peak solder temperature.

(4) There may be additional marking, which relates to the logo, the lot trace code information, or the environmental category on the device.

(5) Multiple Device Markings will be inside parentheses. Only one Device Marking contained in parentheses and separated by a "-" will appear on a device. If a line is indented then it is a continuation of the previous line and the two combined represent the entire Device Marking for that device.

(6) Lead/Ball Finish - Orderable Devices may have multiple material finish options. Finish options are separated by a vertical ruled line. Lead/Ball Finish values may wrap to two lines if the finish value exceeds the maximum column width.

**Important Information and Disclaimer:**The information provided on this page represents TI's knowledge and belief as of the date that it is provided. TI bases its knowledge and belief on information provided by third parties, and makes no representation or warranty as to the accuracy of such information. Efforts are underway to better integrate information from third parties. TI has taken and

continues to take reasonable steps to provide representative and accurate information but may not have conducted destructive testing or chemical analysis on incoming materials and chemicals. TI and TI suppliers consider certain information to be proprietary, and thus CAS numbers and other limited information may not be available for release.

In no event shall TI's liability arising out of such information exceed the total purchase price of the TI part(s) at issue in this document sold by TI to Customer on an annual basis.

## TAPE AND REEL INFORMATION



### QUADRANT ASSIGNMENTS FOR PIN 1 ORIENTATION IN TAPE



\*All dimensions are nominal

Device	Package Type	Package Drawing	Pins	SPQ	Reel Diameter (mm)	Reel Width W1 (mm)	A0 (mm)	B0 (mm)	K0 (mm)	P1 (mm)	W (mm)	Pin1 Quadrant
BQ27000DRKR	VSON	DRK	10	3000	330.0	12.4	3.3	4.3	1.6	8.0	12.0	Q2
BQ27200DRKR	VSON	DRK	10	3000	330.0	12.4	3.3	4.3	1.6	8.0	12.0	Q2

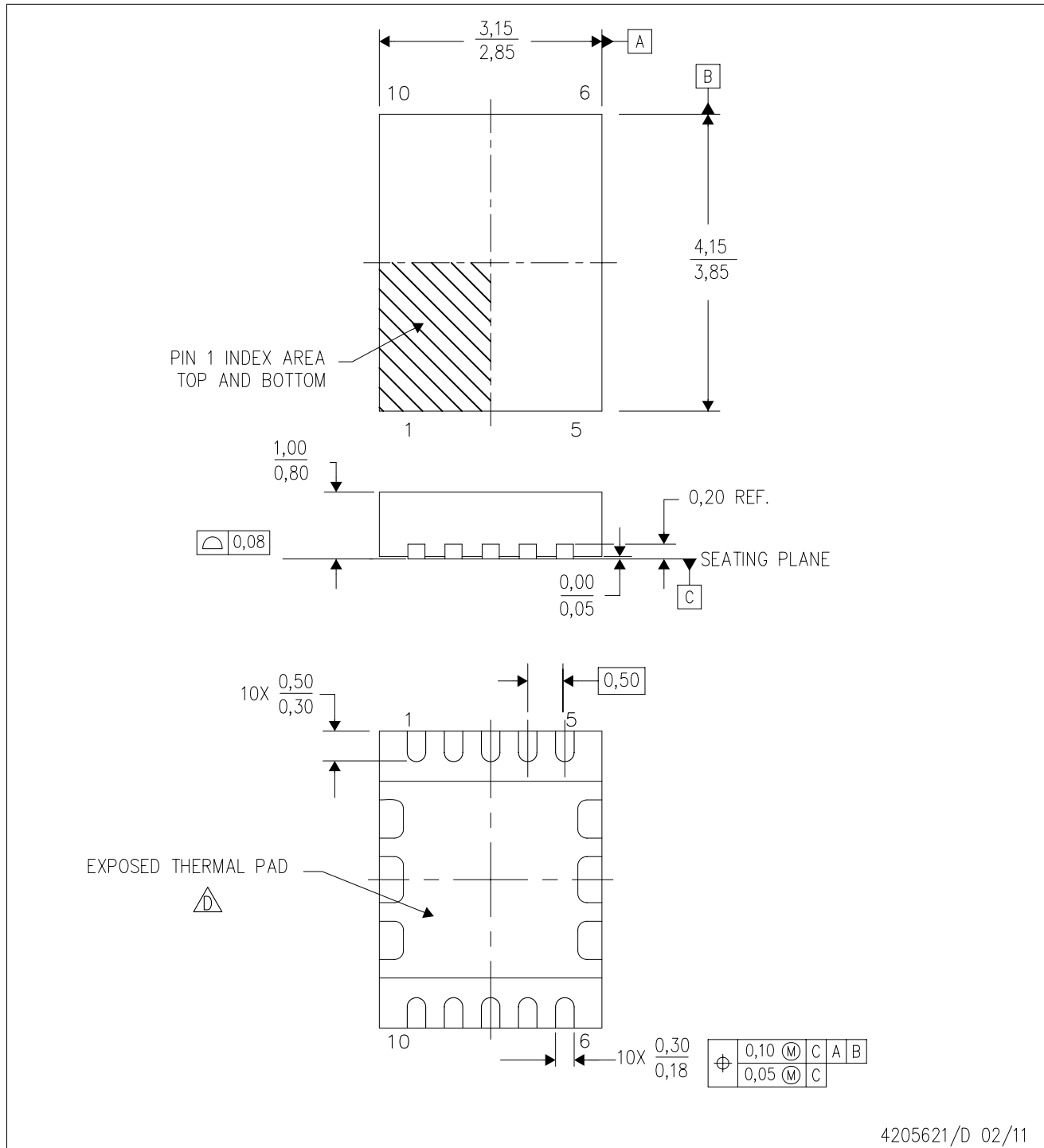
**TAPE AND REEL BOX DIMENSIONS**


\*All dimensions are nominal


Device	Package Type	Package Drawing	Pins	SPQ	Length (mm)	Width (mm)	Height (mm)
BQ27000DRKR	VSON	DRK	10	3000	367.0	367.0	38.0
BQ27200DRKR	VSON	DRK	10	3000	338.1	338.1	20.6

DRK (S-PVSON-N10)

PLASTIC SMALL OUTLINE NO-LEAD



4205621/D 02/11

- NOTES:
- A. All linear dimensions are in millimeters. Dimensioning and tolerancing per ASME Y14.5-1994.
  - B. This drawing is subject to change without notice.
  - C. Small Outline No-Lead (SON) package configuration.
  -  D. The package thermal pad must be soldered to the board for thermal and mechanical performance. See the Product Data Sheet for details regarding the exposed thermal pad dimensions.

# THERMAL PAD MECHANICAL DATA

DRK (S-PVSON-N10)

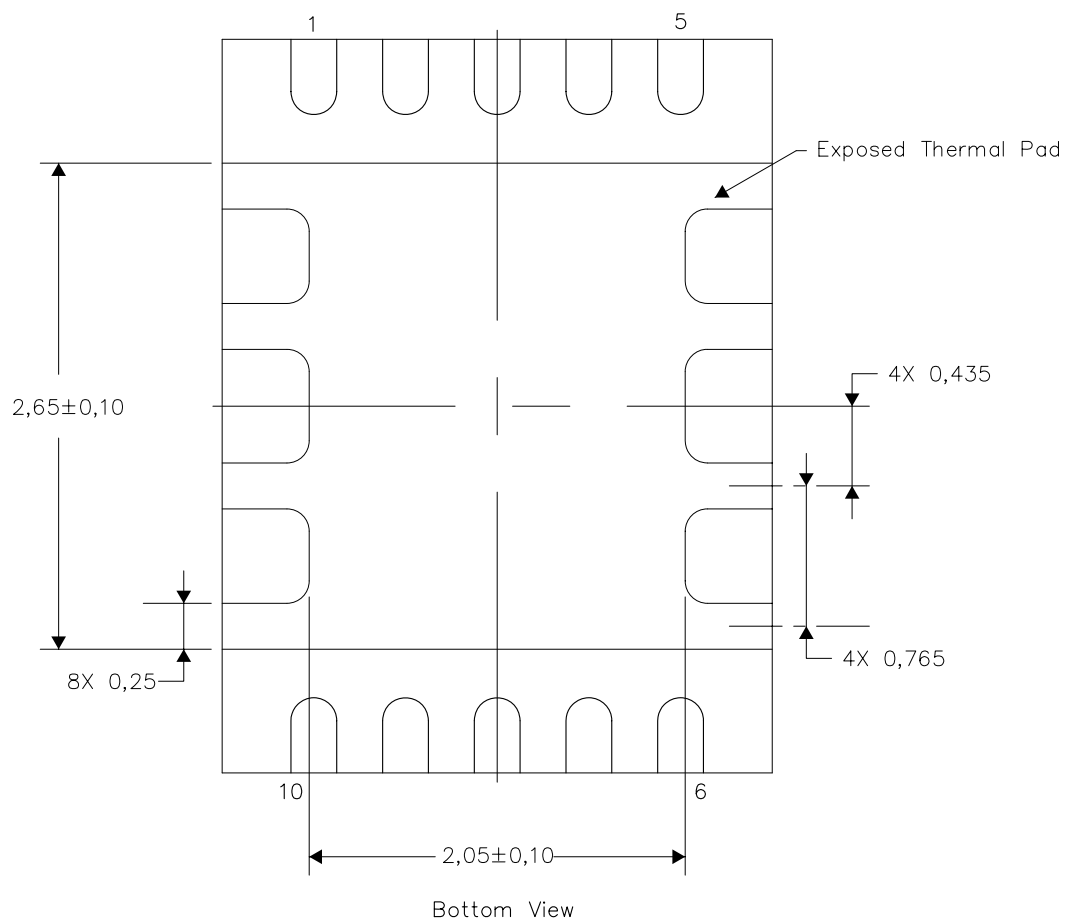
PLASTIC SMALL OUTLINE NO-LEAD

## THERMAL INFORMATION

This package incorporates an exposed thermal pad that is designed to be attached directly to an external heatsink. The thermal pad must be soldered directly to the printed circuit board (PCB). After soldering, the PCB can be used as a heatsink. In addition, through the use of thermal vias, the thermal pad can be attached directly to the appropriate copper plane shown in the electrical schematic for the device, or alternatively, can be attached to a special heatsink structure designed into the PCB. This design optimizes the heat transfer from the integrated circuit (IC).

For information on the Quad Flatpack No-Lead (QFN) package and its advantages, refer to Application Report, QFN/SON PCB Attachment, Texas Instruments Literature No. SLUA271. This document is available at [www.ti.com](http://www.ti.com).

The exposed thermal pad dimensions for this package are shown in the following illustration.



Exposed Thermal Pad Dimensions

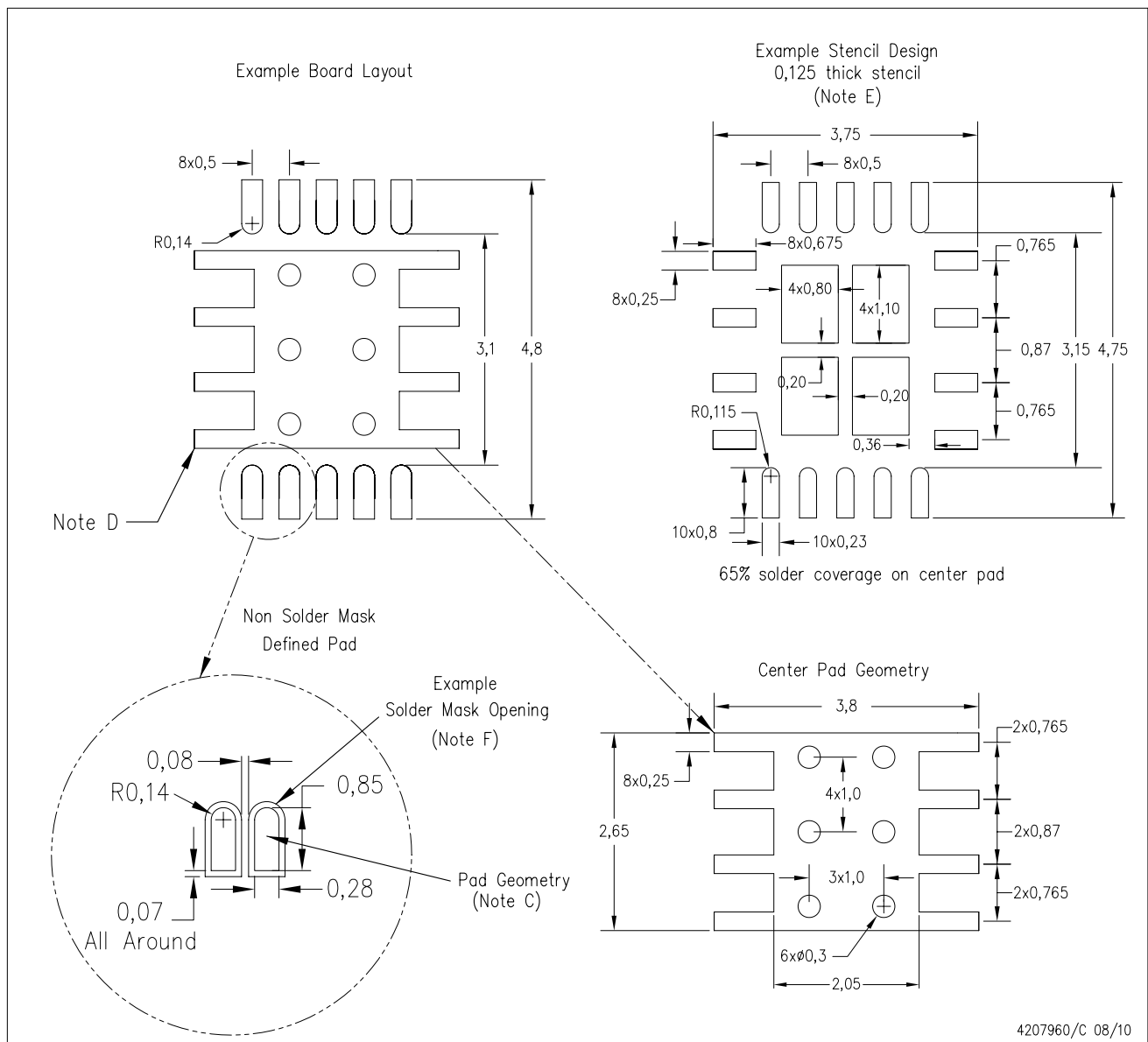
4206317/F 08/10

NOTE: A. All linear dimensions are in millimeters



DRK (S-PVSON-N10)

PLASTIC SMALL OUTLINE NO-LEAD



- NOTES:
- All linear dimensions are in millimeters.
  - This drawing is subject to change without notice.
  - Publication IPC-7351 is recommended for alternate designs.
  - This package is designed to be soldered to a thermal pad on the board. Refer to Application Note, Quad Flat-Pack Packages, Texas Instruments Literature No. SLUA271, and also the Product Data Sheets for specific thermal information, via requirements, and recommended board layout. These documents are available at [www.ti.com](http://www.ti.com) <<http://www.ti.com>>.
  - Laser cutting apertures with trapezoidal walls and also rounding corners will offer better paste release. Customers should contact their board assembly site for stencil design recommendations. Refer to IPC 7525 for stencil design considerations.
  - Customers should contact their board fabrication site for minimum solder mask web tolerances between signal pads.

## IMPORTANT NOTICE AND DISCLAIMER

TI PROVIDES TECHNICAL AND RELIABILITY DATA (INCLUDING DATASHEETS), DESIGN RESOURCES (INCLUDING REFERENCE DESIGNS), APPLICATION OR OTHER DESIGN ADVICE, WEB TOOLS, SAFETY INFORMATION, AND OTHER RESOURCES "AS IS" AND WITH ALL FAULTS, AND DISCLAIMS ALL WARRANTIES, EXPRESS AND IMPLIED, INCLUDING WITHOUT LIMITATION ANY IMPLIED WARRANTIES OF MERCHANTABILITY, FITNESS FOR A PARTICULAR PURPOSE OR NON-INFRINGEMENT OF THIRD PARTY INTELLECTUAL PROPERTY RIGHTS.

These resources are intended for skilled developers designing with TI products. You are solely responsible for (1) selecting the appropriate TI products for your application, (2) designing, validating and testing your application, and (3) ensuring your application meets applicable standards, and any other safety, security, or other requirements. These resources are subject to change without notice. TI grants you permission to use these resources only for development of an application that uses the TI products described in the resource. Other reproduction and display of these resources is prohibited. No license is granted to any other TI intellectual property right or to any third party intellectual property right. TI disclaims responsibility for, and you will fully indemnify TI and its representatives against, any claims, damages, costs, losses, and liabilities arising out of your use of these resources.

TI's products are provided subject to TI's Terms of Sale ([www.ti.com/legal/termsofsale.html](http://www.ti.com/legal/termsofsale.html)) or other applicable terms available either on [ti.com](http://ti.com) or provided in conjunction with such TI products. TI's provision of these resources does not expand or otherwise alter TI's applicable warranties or warranty disclaimers for TI products.

Mailing Address: Texas Instruments, Post Office Box 655303, Dallas, Texas 75265  
Copyright © 2020, Texas Instruments Incorporated