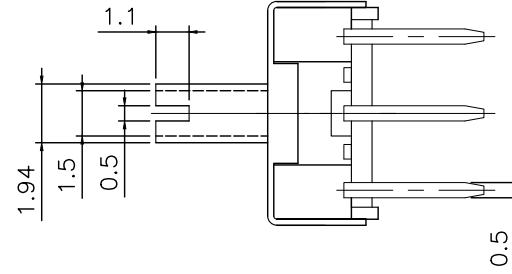
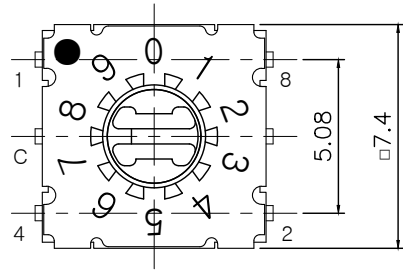
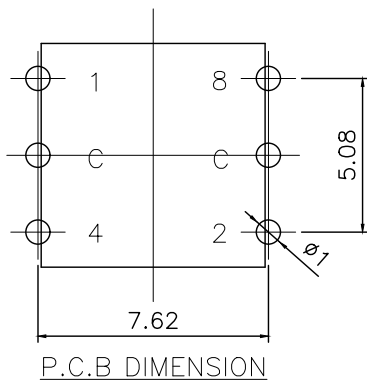
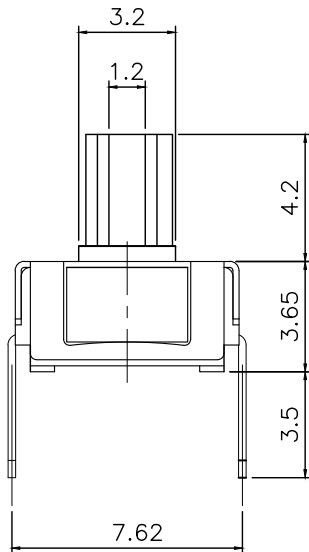


MRK.	DATE	REVISION	SIGN
△			

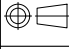


**SPECIFICATION**

- Rating : 100mA, DC 42V(Switching)  
400mA, DC 42V(None-Switching)
- Contact Resistance : 80mΩ Max
- Insulation Resistance : 100MΩ Min
- Operating Force : 120±30gf Max
- Life Cycle : 25,000 steps
- Sealing : Comparable IP67



		Real Coded				
		C	1	2	4	8
10 P o s i t i o n	0	●				
	1	●	●			
	2	●		●		
	3	●	●	●		
	4	●			●	
	5	●	●			
	6	●		●	●	
	7	●	●	●	●	
	8	●				●
	9	●	●			
16 P o s i t i o n	A	●		●		●
	B	●	●	●		●
	C	●			●	●
	D	●	●		●	●
	E	●		●	●	●
	F	●	●	●	●	●

01	-	-	-	1	-
NO.	DESCRIPTION	MATERIAL	COLOR/FINISH	Q.TY	VENDOR
DRAW/DESIGNED	CHECKED	APPROVED	 G.TOL ±0.1	TITLE MINI ROTARY SWITCH	
S. M KIM	J. P ROH	K. I LEE		UNIT mm	SCALE 4:1
2020-03-05	2020-03-05	2020-03-05	SIZE A4	DRAW NO. MSKR-10	SHEET 1/1
SUNGMUN ELECTRONICS CO.,LTD					