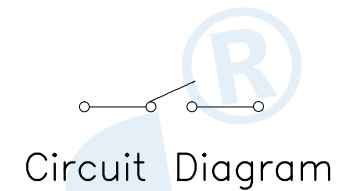
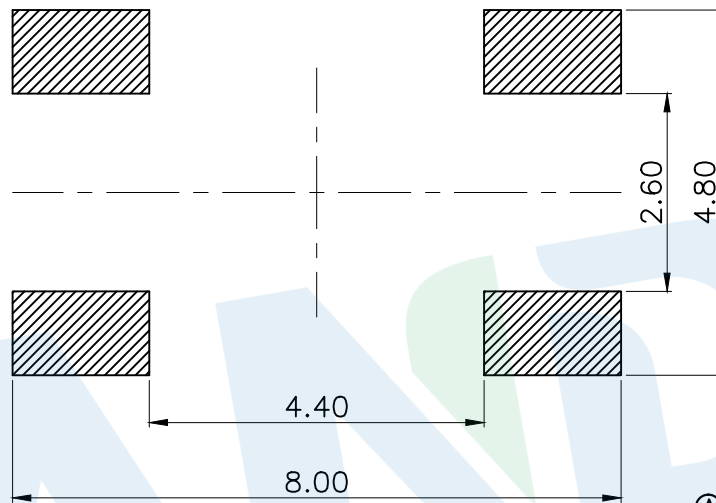
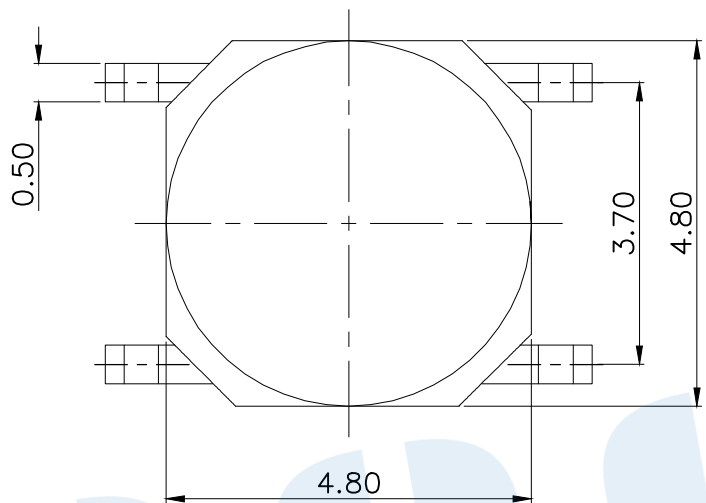
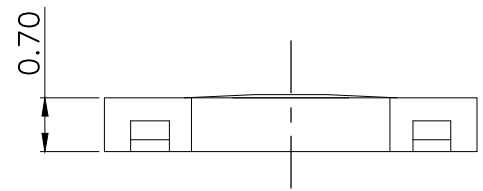
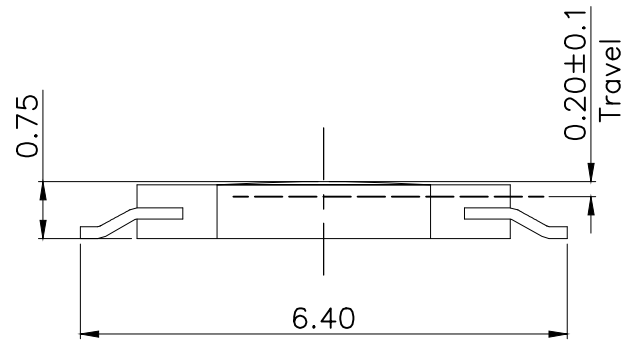
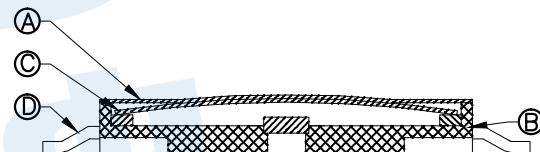


RoHS



PCB Layout(Pattern side)



OPERATING FORCE	
CODE	VIGOR
B2	180±30gf
B3	250±30gf

NO.	Name	Number	Qty	Materil	Remarks
④	Terminal		4	Brass	Silvering
③	Reed		1	SUS	Silver covered
②	Base		1	LCP	Black
①	Dust film		1	Polyimide tape	

YUANDI® Yuandi Electronics Co, Ltd

design	date	name
Review	date	TACT SWITCHS
Approved	date	name

Drawing number: TS-1076D-B□ Proportion: 1:1 unit: mm gage number: A4

angle	±2'
10~30	±0.30
5~10	±0.20
~ 5	±0.10

modify Review Approved Tolerance not specified