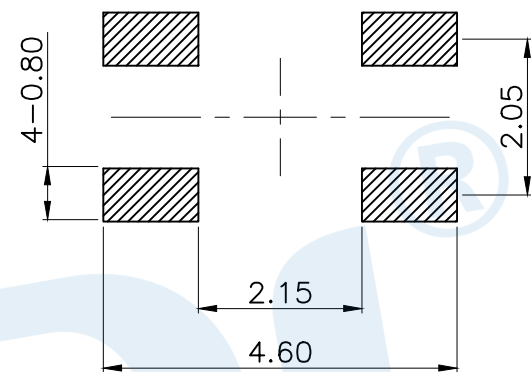
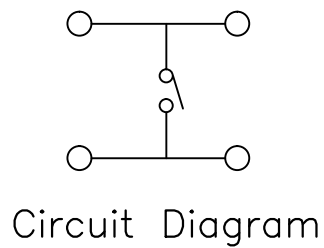
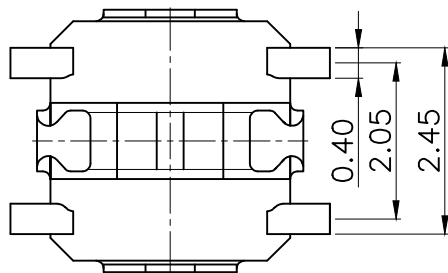
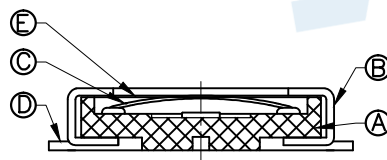
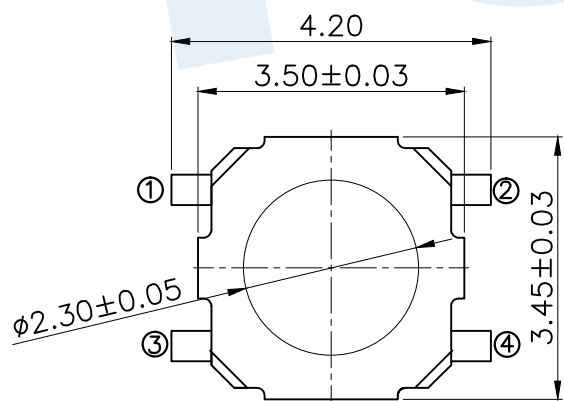
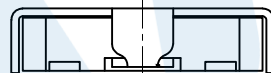
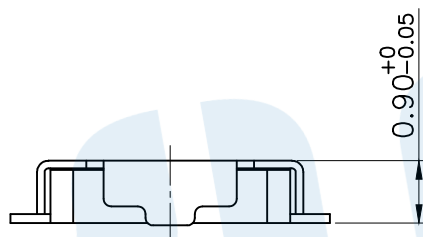


RoHS



PCB Layout(Pattern side)



SHRAPNEL	
CODE	MATERIAL/QTY
D2	SUS/1PCS
D4	SUS/2PCS

OPERATING FORCE	
CODE	VIGOR
B2	180±30gf
B3	250±30gf

Ⓔ	Dust film	1	Polyimide tape		
Ⓓ	Terminal	4	Phosphor Copper	Silvering	
Ⓒ	Reed	2	SUS	Silver covered	
Ⓑ	Cover	1	SUS	Natural	
Ⓐ	Base	1	LCP	Black	
NO.	Name	Number	Qty	Material	Remarks

**YUANDI®** Yuandi Electronics Co, Ltd

design	date	name	TACT SWITCHS
Review	date	model	TS-1075A-B□D□
Approved	date		

Drawing number: Proportion 1:1 unit mm gage number A4

angle	±2'
10~30	±0.30
5~10	±0.20
~ 5	±0.10

modify Review Approved Tolerance not specified