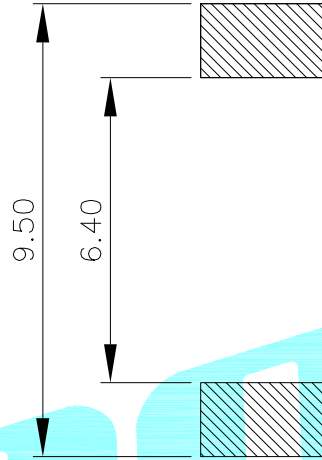
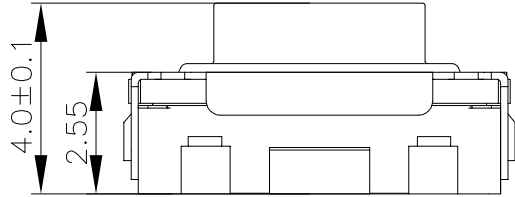
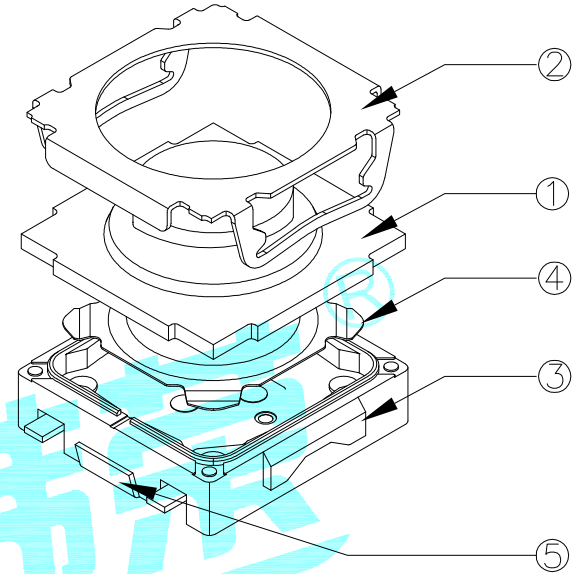
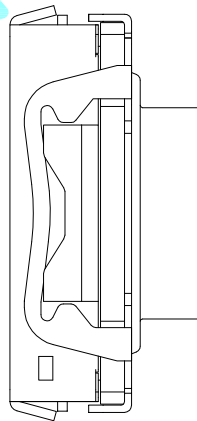
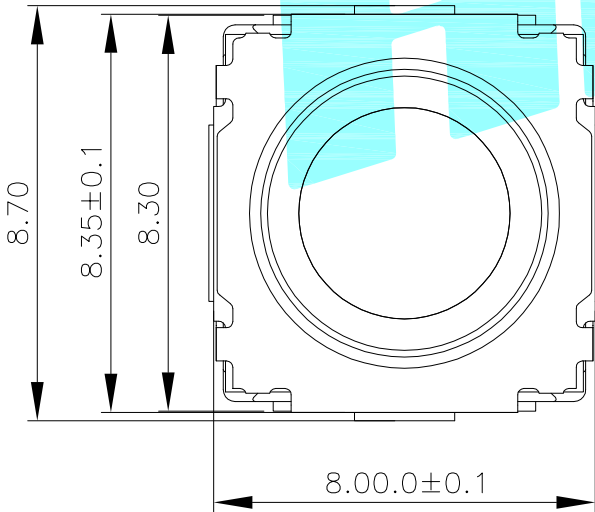


**ROHS**



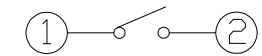
PCB Layout(Pattern side)



NO.2	
PART NO	vigor
5	300±50

NO.3	
PART NO	MATERIAL/QTY
S	SUS/1PC

NO.4-NO.5	
PART NO	NOTE
01~99	SERIAL NUMBER



Circuit Diagram

Typical Specifications  
 1.Rating : DC 12V 50mA  
 2.Life : 500,000 Cycles  
 3.Travel:0.9±0.1mm

⑤	Terminal	—	2	Brass(0.3t)	Plating silver	—
④	Contact	—	1	F.Ag/SUS	—	—
③	Base	—	1	LCP	Black	—
②	Cover	—	1	SUS	—	—
①	Keystoke	—	1	Silica gel	—	—
ITEM	PART NAME	TER'NO.	QTY.	MATERIAL	FINISHING	REMARK

APPROVALS		DATE		 ELECTRONICS CO.,LTD			
DRAWN	J.X.Zhang	2018/08/01					
CHECKED				TITLE:	TACT SWITCHS		
APPROVALS				PART NO.	K2-8816SP-A5SW-□□		
TOLERANCES ARE			30~以上 ±0.30	ANGLE	UNIT: mm	SCALE: 1:1	
			10~30 ±0.20				
			5~10 ±0.15				
			~ 5 ±0.10				
			±2'	DRAWING NO.	—		
ECN NO.	REV.	DATE.	DESCRIPTION.	CHANGE.	CHECK.	APPRO.	PROJ:

—	A	—	NEW	—	—	—
ECN NO.	REV.	DATE.	DESCRIPTION.	CHANGE.	CHECK.	APPRO.