



SMT power inductors

Size 12.5 × 12.5 × 8.5 (mm)

Series/Type: **B82477P4**

Date: July 2017

© EPCOS AG 2017. Reproduction, publication and dissemination of this publication, enclosures hereto and the information contained therein without EPCOS' prior express consent is prohibited.

EPCOS AG is a TDK Group Company.

SMD
Rated inductance 0.82 ... 1000 μ H
Rated current 0.6 ... 11 A
Construction

- Ferrite core
- Magnetically shielded
- Winding: enamel copper wire
- Winding soldered to terminals
- Injection molded base

Features

- High mechanical stability
- High rated current, low DC resistance
- Temperature range up to +150 °C
- Suitable for lead-free reflow soldering as referenced in JEDEC J-STD 020D
- Qualified to AEC-Q200
- RoHS-compatible

Applications

- Filtering of supply voltages
- Coupling, decoupling
- DC/DC converters
- Automotive electronics

Terminals

- Base material
Cu ($L \leq 22 \mu\text{H}$), CuSn6P ($L > 22 \mu\text{H}$)
- Layer composition Ni, Sn (lead-free)
- Electro-plated

Marking

- Marking on component:
Manufacturer, L value (μH , coded), manufacturing date (YWWD)
- Minimum data on reel:
Manufacturer, ordering code, L value, quantity, date of packing

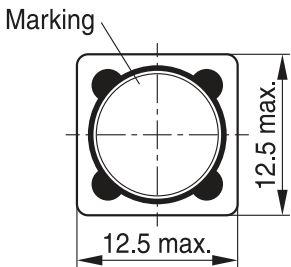
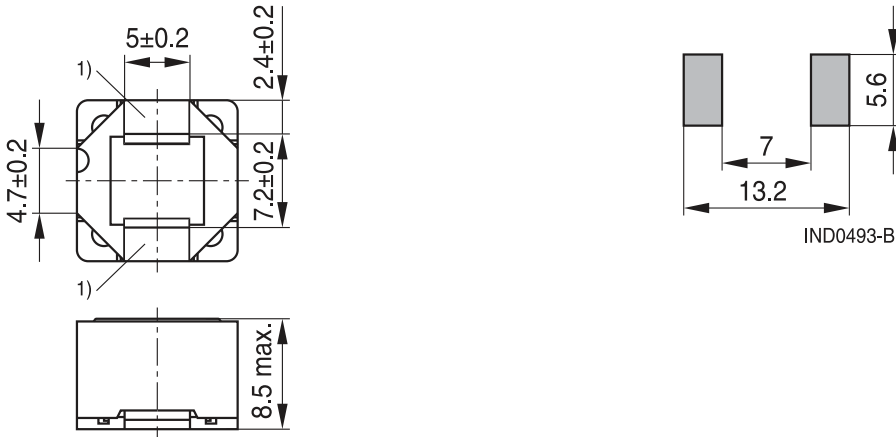
Delivery mode and packing unit

- 24-mm blister tape, wound on 330-mm \varnothing reel
- Packing unit: 350 pcs./reel



SMD

Dimensional drawing and layout recommendation

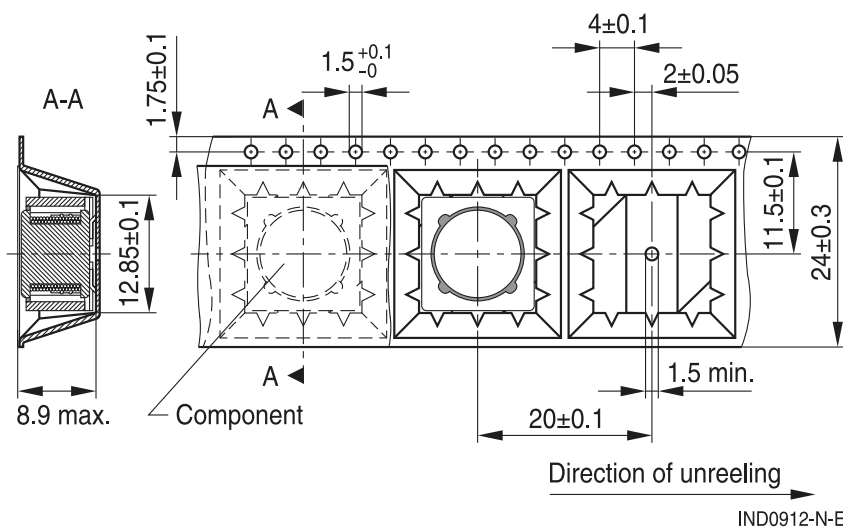


1) Soldering area
IND0572-K-E

Dimensions in mm

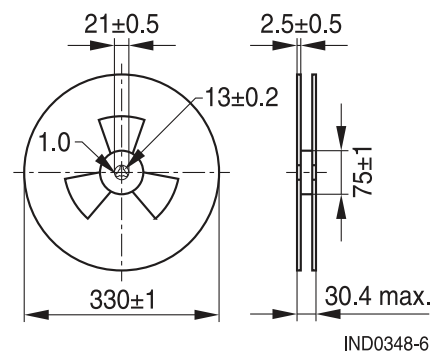
Taping and packing

Blister tape



Dimensions in mm

Reel



SMD
Technical data and measuring conditions

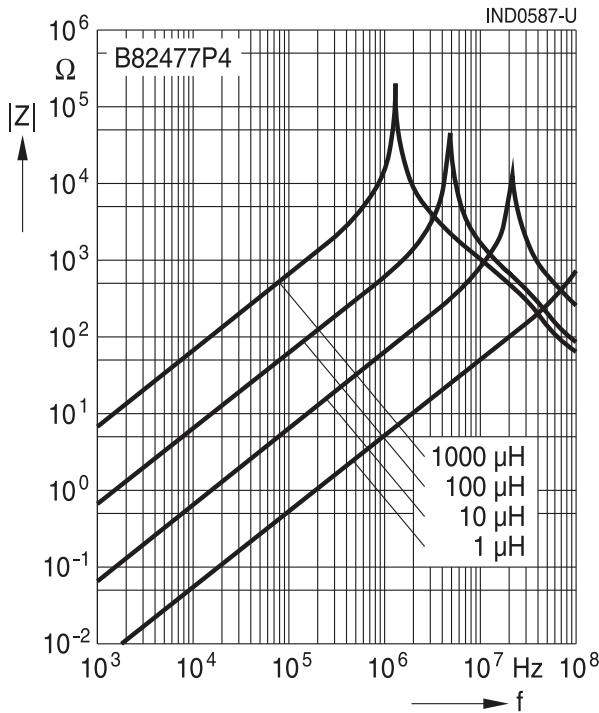
Rated inductance L_R	Measured with LCR meter Agilent 4284A at frequency f_L 0.1 V, +20 °C
Operating temperature range	–55 °C ... +150 °C
Rated current I_R	Max. permissible DC with temperature increase of ≤ 40 K at rated temperature
Saturation current I_{sat}	Max. permissible DC with inductance decrease $\Delta L/L_0$ of approx. 10%
DC resistance R_{DC}	Measured at +20 °C
Solderability (lead-free)	Dip and look method Sn95.5Ag3.8Cu0.7: +(245 ±5) °C, (5 ±0.3) s Wetting of soldering area $\geq 90\%$ (based on IEC 60068-2-58)
Resistance to soldering heat	+260 °C, 40 s (as referenced in JEDEC J-STD 020D)
Climatic category	55/150/56 (to IEC 60068-1)
Storage conditions	Mounted: –55 °C ... +150 °C Packaged: –25 °C ... +40 °C, $\leq 75\%$ RH
Weight	Approx. 4 g

SMD
Characteristics and ordering codes

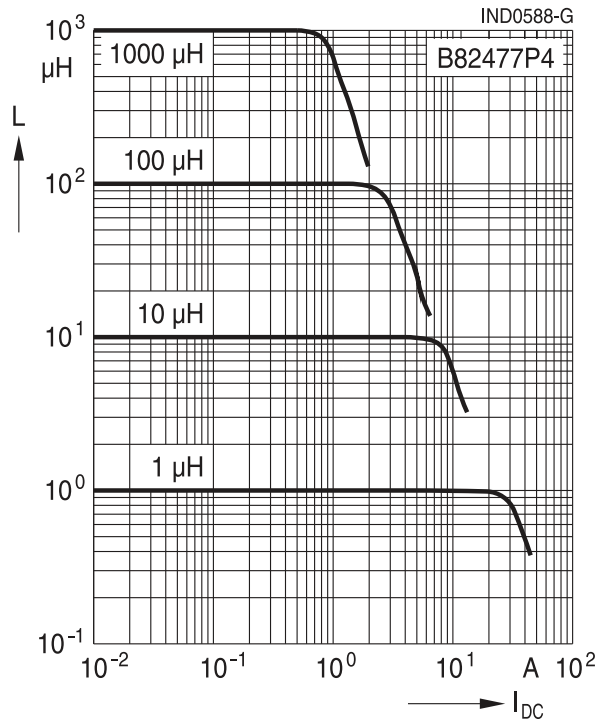
L_R μH	Tolerance	f_L MHz	I_R A	$I_{\text{sat,min}}$ A	$I_{\text{sat,typ}}$ A	$R_{\text{DC,max}}$ Ω	$R_{\text{DC,typ}}$ Ω	Ordering code
0.82	$\pm 20\% \triangleq M$	0.1	11.00	15.00	28.00	0.0055	0.0039	B82477P4821M000
2.0		0.1	8.90	11.00	20.50	0.0080	0.0061	B82477P4202M000
3.3		0.1	8.10	9.60	13.50	0.0100	0.0080	B82477P4332M000
3.9		0.1	8.00	9.50	13.10	0.0100	0.0081	B82477P4392M000
4.7		0.1	7.30	8.40	12.00	0.0120	0.0092	B82477P4472M000
5.6		0.1	7.15	8.30	11.00	0.0125	0.0104	B82477P4562M000
6.8		0.1	6.60	7.30	9.85	0.0150	0.0111	B82477P4682M000
10		0.1	5.80	6.40	8.40	0.0190	0.0165	B82477P4103M000
15		0.1	4.80	5.20	6.55	0.0285	0.0224	B82477P4153M000
22		0.1	4.15	4.35	5.65	0.0350	0.0305	B82477P4223M000
33		0.1	3.35	3.50	4.65	0.0520	0.0451	B82477P4333M000
47		0.1	2.80	3.00	3.70	0.0670	0.0552	B82477P4473M000
68		0.1	2.35	2.45	3.50	0.0980	0.0826	B82477P4683M000
82		0.1	2.10	2.25	2.72	0.1200	0.0921	B82477P4823M000
100		0.1	1.87	1.95	2.55	0.1380	0.1250	B82477P4104M000
150		0.1	1.61	1.70	2.14	0.1850	0.1590	B82477P4154M000
220		0.1	1.24	1.35	1.73	0.3050	0.2680	B82477P4224M000
330		0.1	1.02	1.15	1.32	0.4600	0.4110	B82477P4334M000
470		0.1	0.86	0.95	1.21	0.6400	0.5740	B82477P4474M000
680	0.1	0.69	0.78	1.02	1.0500	0.8450	B82477P4684M000	
1000	0.1	0.60	0.65	0.85	1.3800	1.2650	B82477P4105M000	

SMD

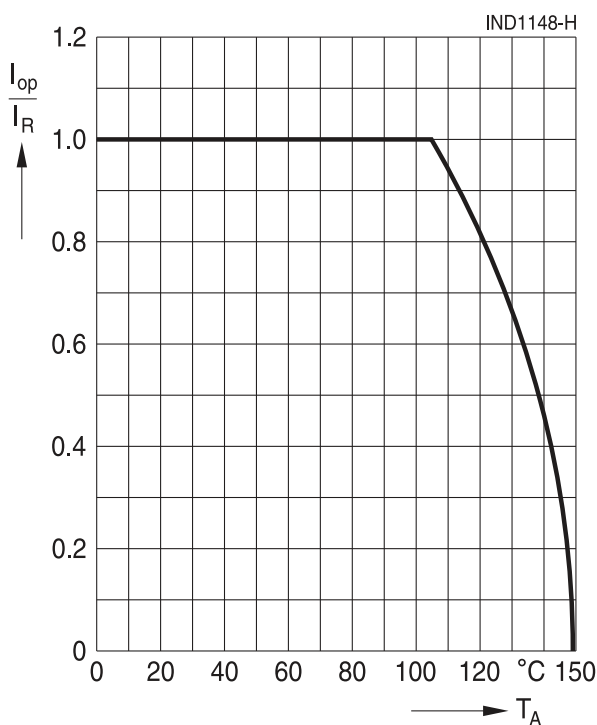
Impedance $|Z|$ versus frequency f
 measured with impedance analyzer
 Agilent 4294A, typical values at +20 °C



Inductance L versus DC load current I_{DC}
 measured with LCR meter Agilent 4275A,
 typical values at +20 °C



Current derating I_{op}/I_R
versus ambient temperature T_A
 (rated temperature $T_R = +105$ °C)



Cautions and warnings

- Please note the recommendations in our Inductors data book (latest edition) and in the data sheets.
 - Particular attention should be paid to the derating curves given there.
 - The soldering conditions should also be observed. Temperatures quoted in relation to wave soldering refer to the pin, not the housing.
- If the components are to be washed varnished it is necessary to check whether the washing varnish agent that is used has a negative effect on the wire insulation, any plastics that are used, or on glued joints. In particular, it is possible for washing varnish agent residues to have a negative effect in the long-term on wire insulation.
Washing processes may damage the product due to the possible static or cyclic mechanical loads (e.g. ultrasonic cleaning). They may cause cracks to develop on the product and its parts, which might lead to reduced reliability or lifetime.
- The following points must be observed if the components are potted in customer applications:
 - Many potting materials shrink as they harden. They therefore exert a pressure on the plastic housing or core. This pressure can have a deleterious effect on electrical properties, and in extreme cases can damage the core or plastic housing mechanically.
 - It is necessary to check whether the potting material used attacks or destroys the wire insulation, plastics or glue.
 - The effect of the potting material can change the high-frequency behaviour of the components.
- Ferrites are sensitive to direct impact. This can cause the core material to flake, or lead to breakage of the core.
- Even for customer-specific products, conclusive validation of the component in the circuit can only be carried out by the customer.

Display of ordering codes for EPCOS products

The ordering code for one and the same product can be represented differently in data sheets, data books, other publications and the website of EPCOS, or in order-related documents such as shipping notes, order confirmations and product labels. **The varying representations of the ordering codes are due to different processes employed and do not affect the specifications of the respective products.** Detailed information can be found on the Internet under www.epcos.com/orderingcodes.

Important notes

The following applies to all products named in this publication:

1. Some parts of this publication contain **statements about the suitability of our products for certain areas of application**. These statements are based on our knowledge of typical requirements that are often placed on our products in the areas of application concerned. We nevertheless expressly point out **that such statements cannot be regarded as binding statements about the suitability of our products for a particular customer application**. As a rule we are either unfamiliar with individual customer applications or less familiar with them than the customers themselves. For these reasons, it is always ultimately incumbent on the customer to check and decide whether a product with the properties described in the product specification is suitable for use in a particular customer application.
2. We also point out that **in individual cases, a malfunction of electronic components or failure before the end of their usual service life cannot be completely ruled out in the current state of the art, even if they are operated as specified**. In customer applications requiring a very high level of operational safety and especially in customer applications in which the malfunction or failure of an electronic component could endanger human life or health (e.g. in accident prevention or life-saving systems), it must therefore be ensured by means of suitable design of the customer application or other action taken by the customer (e.g. installation of protective circuitry or redundancy) that no injury or damage is sustained by third parties in the event of malfunction or failure of an electronic component.
3. **The warnings, cautions and product-specific notes must be observed.**
4. In order to satisfy certain technical requirements, **some of the products described in this publication may contain substances subject to restrictions in certain jurisdictions (e.g. because they are classed as hazardous)**. Useful information on this will be found in our Material Data Sheets on the Internet (www.tdk-electronics.tdk.com/material). Should you have any more detailed questions, please contact our sales offices.
5. We constantly strive to improve our products. Consequently, **the products described in this publication may change from time to time**. The same is true of the corresponding product specifications. Please check therefore to what extent product descriptions and specifications contained in this publication are still applicable before or when you place an order.

We also **reserve the right to discontinue production and delivery of products**. Consequently, we cannot guarantee that all products named in this publication will always be available. The aforementioned does not apply in the case of individual agreements deviating from the foregoing for customer-specific products.
6. Unless otherwise agreed in individual contracts, **all orders are subject to our General Terms and Conditions of Supply**.
7. **Our manufacturing sites serving the automotive business apply the IATF 16949 standard**. The IATF certifications confirm our compliance with requirements regarding the quality management system in the automotive industry. Referring to customer requirements and customer specific requirements ("CSR") TDK always has and will continue to have the policy of respecting individual agreements. Even if IATF 16949 may appear to support the acceptance of unilateral requirements, we hereby like to emphasize that **only requirements mutually agreed upon can and will be implemented in our Quality Management System**. For clarification purposes we like to point out that obligations from IATF 16949 shall only become legally binding if individually agreed upon.
8. The trade names EPCOS, CeraCharge, CeraDiode, CeraLink, CeraPad, CeraPlas, CSMP, CTVS, DeltaCap, DigiSiMic, ExoCore, FilterCap, FormFit, LeaXield, MiniBlue, MiniCell, MKD, MKK, MotorCap, PCC, PhaseCap, PhaseCube, PhaseMod, PhiCap, PowerHap, PQSine, PQvar, SIFERRIT, SIFI, SIKOREL, SilverCap, SIMDAD, SiMic, SIMID, SineFormer, SIOV, ThermoFuse, WindCap are **trademarks registered or pending** in Europe and in other countries. Further information will be found on the Internet at www.tdk-electronics.tdk.com/trademarks.

Release 2018-10