



Surge arrester

2-electrode arrester

Series/Type: M51-A800XP
Ordering code: B88069X4781xxxx ^{a)}
Version/Date: Issue 04 / 2008-01-17

© EPCOS AG 2015. Reproduction, publication and dissemination of this publication, enclosures hereto and the information contained therein without EPCOS' prior express consent is prohibited.

EPCOS AG is a TDK Group Company.

Features	Applications
<ul style="list-style-type: none"> ▪ Small size ▪ Very fast response time ▪ Stable performance over life ▪ High insulation resistance ▪ RoHS-compatible 	<ul style="list-style-type: none"> ▪ AC power lines ▪ Class II (class C) - requirements

Electrical specifications

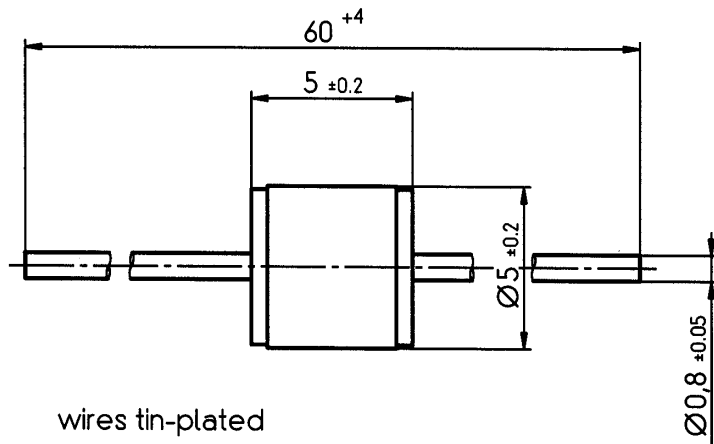
DC spark-over voltage ^{1) 2)}	> 600	V
Impulse spark-over voltage		
- at 1 kV/μs - for 99 % of measured values	< 1200	V
- typical values of distribution	< 1100	V
- at 5 kV/μs - for 99 % of measured values	< 1500	V
- typical values of distribution	< 1200	V
- at 1.2/50 μs, 6 kV, for 99 % of measured values ³⁾	< 1500	V
Response time	< 100	ns
- typical values	< 20	ns
Insulation resistance at 100 V _{dc}	> 1	GΩ
Class II according to EN 61643-11		
Max. continuous operating voltage at 50/60 Hz	U _c	255
Nominal discharge current 8/20 μs	I _n	3
Maximum discharge current 8/20 μs	I _{max}	3
Follow current at 50/60 Hz	I _f	5
		V _{rms}
		kA
		kA
		A _{rms}
Weight	~ 3	g
Operation and storage temperature	-40 ... +90	°C
Climatic category (IEC 60068-1)	40/ 90/ 21	
Marking, blue positive	EPCOS 800 YY O 800 - Nominal voltage YY - Year of production O - Non radioactive	

^{a)} xxxx = S102 (100 pcs on 5 taped stripes)
 = T502 (500 pcs on tape and reel)

¹⁾ At delivery AQL 0.65 level II, DIN ISO 2859

²⁾ In ionized mode

³⁾ Test in accordance with EN 61 643-11

Dimensional drawing


Not to scale

Dimensions in mm

Non controlled document

Cautions and warnings

- Surge arresters must not be operated directly in power supply networks.
- Surge arresters may become hot in case of longer periods of current stress (danger of burning).
- Surge arresters may be used only within their specified values. In case of overload, the head contacts may fail or the component may be destroyed.
- Damaged surge arresters must not be re-used.