

# ILLUMINATED SWITCH ML6-H4 SERIES

**Tact Switch**  
**Illuminated**



## FEATURES

- ※ Customized cap options
- ※ Bi-color LED available
- ※ Long operating life

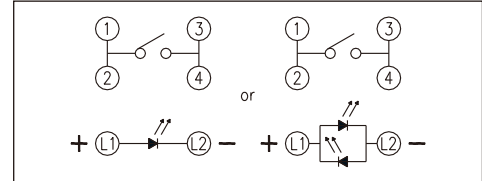
## APPLICATION

- ※ Sever, modem, data storage
- ※ Audio module
- ※ Office equipment

## SPECIFICATION

Contact Rating	50mA, 12V DC
Contact Resistance	100mΩ max.
Insulation Resistance	100MΩ min. 100V DC
Dielectric Strength	250V AC/1 minute
Operating Force	160±50gf
Travel	0.25mm
Operating Life	300, 000 cycles
Operating Temp.	-40°C ~ +85°C
Storage Temp.	-40°C ~ +85°C

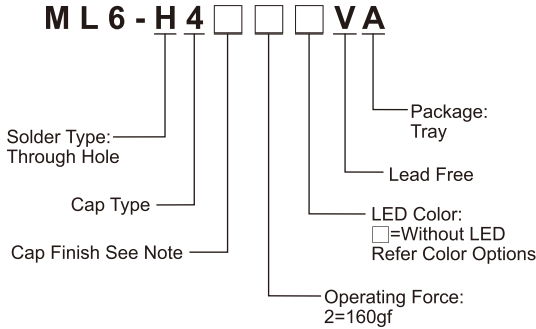
## CIRCUIT



## PACKAGE

<Tray>  
100 pcs.

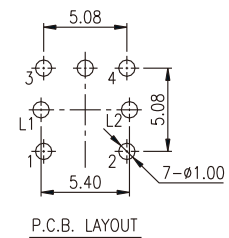
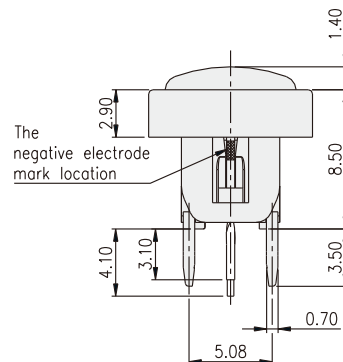
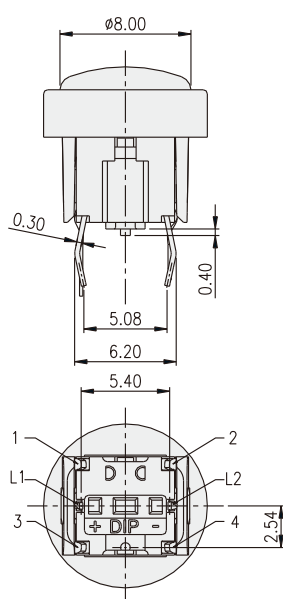
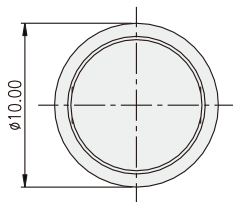
## HOW TO ORDER



## ML6-H4

## LED Color Options:

Part No.	Color	Dominant Wavelength $\lambda_p$ Typ.(nm)	Luminous Intensity $I_v$ (mcd)	Forward Voltage $V_f$ (V)		View Angle $2-\theta_{1/2}$ (Degree)
			Typ.	Typ.	Max.	
B	Blue	470	70	3.0	3.6	140°
PG	Pure Gree	520	160	3.2	3.6	
G	Yellow Green	570	30	2.0	2.3	
Y	Yellow	590	60	2.0	2.3	
A	Soft Orange	605	50	2.0	2.3	
R	Red	630	60	2.0	2.3	
W	Cold White	X:0.26 / Y:0.23	350	3.0	3.6	



NOTE :

	CAP	
	MARK	COLOR
S1		SILVER
K1		BLACK
S3	RESET	SILVER
K3		BLACK
SA	-	SILVER
KA		BLACK