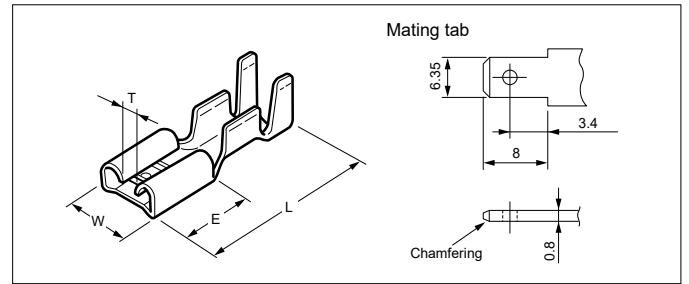


# TAB-ON TERMINAL

## 250 Tab-on type



UL LISTED E70188

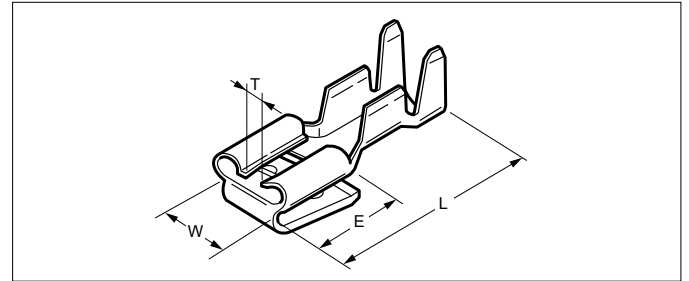
SP Certified LR20812

| Model No.     | Standard     | Applicable wire   |          |                            | Material | Finish     | Dimensions(mm) |      |     |              |                       |                            | Q'ty/<br>reel |       |
|---------------|--------------|---|----------|----------------------------|----------|------------|----------------|------|-----|--------------|-----------------------|----------------------------|---------------|-------|
|               |              | mm <sup>2</sup>   | AWG #    | Insulation<br>O.D.<br>(mm) |          |            | W              | L    | E   | T<br>approx. | Material<br>thickness | Mating<br>tab<br>thickness |               |       |
| STO-21-250N   | UL LISTED SP | 0.3 to 0.75   | 22 to 18 | 2.3 to 3.0                 | Brass    | —          | 7.7            | 19.0 | 7.8 | 2.4          | 0.4                   | 0.8                        | 5,000         |       |
| STO-21T-250N  | UL LISTED SP |   |          |                            |          | Tin-plated |                |      |     |              |                       |                            |               |       |
| STO-61-250N   | UL LISTED SP | —   |          |                            |          |            |                |      |     |              |                       |                            |               |       |
| STO-61T-250N  | UL LISTED SP | Tin-plated  |          |                            |          |            |                |      |     |              |                       |                            |               |       |
| STO-81-250N   | UL LISTED SP | 0.75 to 2.0   | 18 to 14 | 2.8 to 3.8                 |          | —          | 7.6            | 19.6 | 8.0 | 1.6          | 0.45                  | 0.8                        |               | 4,000 |
| STO-81T-250N  | UL LISTED SP |   |          |                            |          | Tin-plated |                |      |     |              |                       |                            |               |       |
| *STO-62T-250N |              | UL1015 #20 + UL1015 #20<br>UL1015 #18 + UL1015 #20<br>UL1015 #18 + UL1015 #18 |          |                            |          | Tin-plated |                | 19.0 |     |              |                       |                            | 5,000         |       |

RoHS2 compliance

Note: Terminal denoted by \* is used only for two wires. If using wires in other combinations than the ones shown above, contact JST.

## 250 Tab-on piggyback type



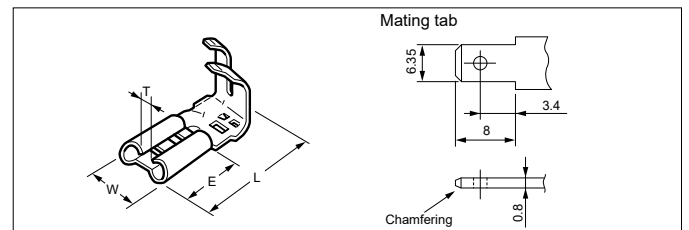
UL LISTED E70188

SP Certified LR20812

| Model No.    | Standard     | Applicable wire |          |                            | Material | Finish     | Dimensions(mm) |      |     |              |                       |                            | Q'ty/<br>reel |
|--------------|--------------|-----------------|----------|----------------------------|----------|------------|----------------|------|-----|--------------|-----------------------|----------------------------|---------------|
|              |              | mm <sup>2</sup> | AWG #    | Insulation<br>O.D.<br>(mm) |          |            | W              | L    | E   | T<br>approx. | Material<br>thickness | Mating<br>tab<br>thickness |               |
| SFT-61T-250N | UL LISTED SP | 0.75 to 2.0     | 18 to 14 | 2.8 to 3.9                 | Brass    | Tin-plated | 7.6            | 19.6 | 8.3 | 2.9          | 0.39                  | 0.8                        | 3,000         |

RoHS2 compliance

## 250 Tab-on flag type



UL LISTED E70188

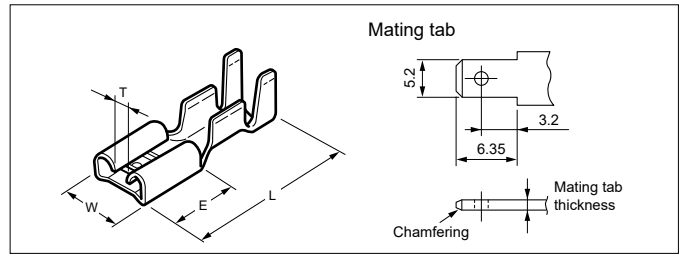
SP Certified LR20812

| Model No.    | Standard     | Applicable wire |          |                            | Material | Finish     | Dimensions(mm) |      |     |              |                       |                            | Q'ty/<br>reel |
|--------------|--------------|-----------------|----------|----------------------------|----------|------------|----------------|------|-----|--------------|-----------------------|----------------------------|---------------|
|              |              | mm <sup>2</sup> | AWG #    | Insulation<br>O.D.<br>(mm) |          |            | W              | L    | E   | T<br>approx. | Material<br>thickness | Mating<br>tab<br>thickness |               |
| SFO-61-250A  | UL LISTED SP | 0.75 to 2.0     | 18 to 14 | 2.8 to 3.8                 | Brass    | —          | 8.0            | 16.1 | 7.8 | 3.0          | 0.45                  | 0.8                        | 3,000         |
| SFO-61T-250A | UL LISTED SP |                 |          |                            |          | Tin-plated |                |      |     |              |                       |                            |               |

RoHS2 compliance

# TAB-ON TERMINAL

## 205 Tab-on type



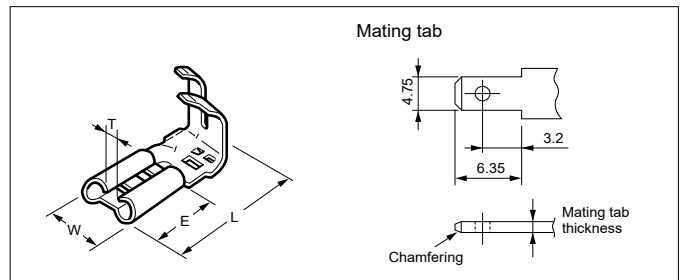
UL LISTED E70188

SP Certified LR20812

| Model No.      | Standard     | Applicable wire |          |                      | Material | Finish     | Dimensions(mm) |      |     |           |                    |                      | Q'ty/reel |
|----------------|--------------|-----------------|----------|----------------------|----------|------------|----------------|------|-----|-----------|--------------------|----------------------|-----------|
|                |              | mm <sup>2</sup> | AWG #    | Insulation O.D. (mm) |          |            | W              | L    | E   | T approx. | Material thickness | Mating tab thickness |           |
| STO-21-205N    | UL LISTED SP | 0.3 to 0.75     | 22 to 18 | 2.3 to 3.0           | Brass    | —          | 6.4            | 15.9 | 6.4 | 0.7       | 0.4                | 0.8                  | 7,500     |
| STO-21T-205N   |              |                 |          |                      |          | Tin-plated |                |      |     |           |                    | 0.5                  |           |
| STO-21-205N-5  |              |                 |          |                      |          | —          |                |      |     |           |                    |                      |           |
| STO-21T-205N-5 |              |                 |          |                      |          | Tin-plated |                |      |     |           |                    |                      |           |

RoHS2 compliance

## 187 Tab-on flag type



UL LISTED E70188

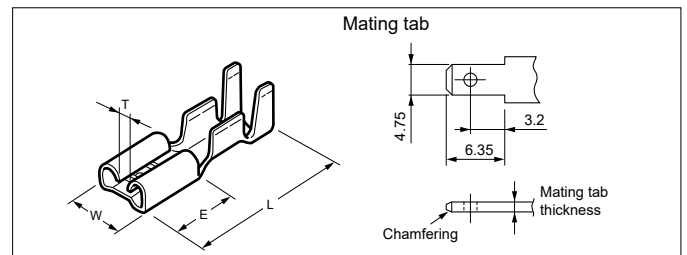
SP Certified LR20812

| Model No.      | Standard     | Applicable wire |          |                      | Material | Finish     | Dimensions(mm) |      |     |           |                    |                      | Q'ty/reel |
|----------------|--------------|-----------------|----------|----------------------|----------|------------|----------------|------|-----|-----------|--------------------|----------------------|-----------|
|                |              | mm <sup>2</sup> | AWG #    | Insulation O.D. (mm) |          |            | W              | L    | E   | T approx. | Material thickness | Mating tab thickness |           |
| SFO-41-187N    | UL LISTED SP | 0.5 to 1.25     | 20 to 16 | 2.6 to 3.5           | Brass    | —          | 5.6            | 12.3 | 6.4 | 1.0       | 0.32               | 0.5                  | 5,000     |
| SFO-41T-187N   |              |                 |          |                      |          | Tin-plated |                |      |     |           |                    | 0.8                  |           |
| SFO-41-187N-8  |              |                 |          |                      |          | —          |                |      |     |           |                    |                      |           |
| SFO-41T-187N-8 |              |                 |          |                      |          | Tin-plated |                |      |     |           |                    |                      |           |

RoHS2 compliance

# TAB-ON TERMINAL

## 187 Tab-on type



UL LISTED Listed E70188 (Except when AWG#24 is applied.)

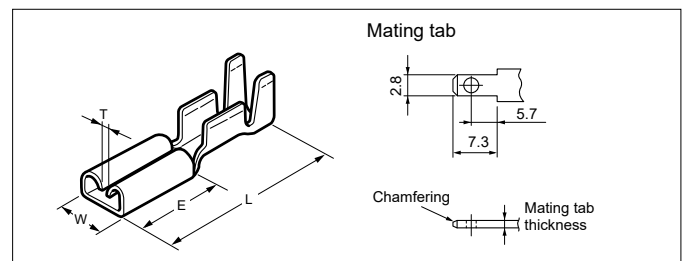
SP Certified LR20812

| Model No.      | Standard     | Applicable wire   |          |                      | Material | Finish     | Dimensions(mm) |      |     |           |                    | Q'ty/ reel |                      |
|----------------|--------------|---|----------|----------------------|----------|------------|----------------|------|-----|-----------|--------------------|------------|----------------------|
|                |              | mm <sup>2</sup>   | AWG #    | Insulation O.D. (mm) |          |            | W              | L    | E   | T approx. | Material thickness |            | Mating tab thickness |
| STO-01-187N    | UL LISTED SP | 0.2 to 0.5  | 24 to 20 | 1.5 to 2.6           | Brass    | —          | 5.6            | 15.0 | 6.3 | 1.5       | 0.32               | 0.5        | 10,000               |
| STO-01T-187N   | Tin-plated   |   |          |                      |          |            |                |      |     |           |                    |            |                      |
| STO-01-187N-8  | —            |   |          |                      |          |            |                |      |     |           |                    |            |                      |
| STO-01T-187N-8 | Tin-plated   |   |          |                      |          |            |                |      |     |           |                    |            |                      |
| STO-41-187N    | UL LISTED SP | 0.5 to 1.25   | 20 to 16 | 2.6 to 3.5           | Brass    | —          | 5.6            | 15.0 | 6.3 | 1.5       | 0.32               | 0.5        | 10,000               |
| STO-41T-187N   | Tin-plated   |   |          |                      |          |            |                |      |     |           |                    |            |                      |
| STO-41-187N-8  | —            |   |          |                      |          |            |                |      |     |           |                    |            |                      |
| STO-41T-187N-8 | Tin-plated   |   |          |                      |          |            |                |      |     |           |                    |            |                      |
| *STO-62T-187N  | UL LISTED SP | UL1015 #20 + UL1015 #20<br>UL1015 #18 + UL1015 #20<br>UL1015 #18 + UL1015 #18 |          |                      | Brass    | Tin-plated | 5.6            | 19.6 | 6.4 | 1.5       | 0.32               | 0.5        | 4,000                |
| *STO-82T-187N  | UL LISTED SP | UL1015 #18 + UL1015 #18<br>UL1015 #18 + UL1015 #16<br>UL1015 #16 + UL1015 #16 |          |                      | Brass    | Tin-plated | 5.6            | 19.6 | 6.4 | 1.5       | 0.32               |            | 4,000                |

### RoHS2 compliance

Note: Terminal denoted by \* is used only for two wires. If using wires in other combinations than the ones shown above, contact JST.

## 110 Tab-on type



UL LISTED Listed E70188 (Except when AWG #24 is applied.)

RV Recognized E70188(AWG #24)

SP Certified LR20812

| Model No.      | Standard     | Applicable wire |          |                      | Material | Finish | Dimensions(mm) |      |     |           |                    | Q'ty / reel |                      |
|----------------|--------------|-----------------|----------|----------------------|----------|--------|----------------|------|-----|-----------|--------------------|-------------|----------------------|
|                |              | mm <sup>2</sup> | AWG #    | Insulation O.D. (mm) |          |        | W              | L    | E   | T approx. | Material thickness |             | Mating tab thickness |
| STO-01-110N    | UL LISTED SP | 0.2 to 0.5      | 24 to 20 | 2.1 to 2.8           | Brass    | —      | 3.7            | 15.4 | 6.3 | 0.6       | 0.25               | 0.5         | 10,000               |
| STO-01T-110N   | Tin-plated   |                 |          |                      |          |        |                |      |     |           |                    |             |                      |
| STO-01-110N-8  | —            |                 |          |                      |          |        |                |      |     |           |                    |             |                      |
| STO-01T-110N-8 | Tin-plated   |                 |          |                      |          |        |                |      |     |           |                    |             |                      |
| STO-41-110N    | UL LISTED SP | 0.5 to 1.25     | 20 to 16 | 2.6 to 3.5           | Brass    | —      | 3.7            | 15.4 | 6.3 | 0.6       | 0.25               | 0.5         | 10,000               |
| STO-41T-110N   | Tin-plated   |                 |          |                      |          |        |                |      |     |           |                    |             |                      |
| STO-41-110N-8  | —            |                 |          |                      |          |        |                |      |     |           |                    |             |                      |
| STO-41T-110N-8 | Tin-plated   |                 |          |                      |          |        |                |      |     |           |                    |             |                      |

### RoHS2 compliance

# TAB-ON TERMINAL

## Crimping machine, Applicator

| Contact            | Crimping machine | Applicator       |                |                            |
|--------------------|------------------|------------------|----------------|----------------------------|
|                    |                  | Crimp applicator | Dies           | Crimp applicator with dies |
| STO-21(T)-250N     | AP-K2N           | MK-L             | MK/STO-21-250  | APLMK STO21-250N           |
|                    |                  | —                | —              | —                          |
| STO-61(T)-250N     |                  | MK-L             | MK/STO-61-250N | APLMK STO61-250N           |
|                    |                  | —                | —              | —                          |
| STO-81(T)-250N     |                  | MK-L             | MK/STO-81-250N | APLMK STO81-250N           |
|                    |                  | —                | —              | —                          |
| STO-62T-250N       |                  | MK-L             | MK/STO-62-250N | APLMK STO61-250N           |
|                    |                  | —                | —              | —                          |
| SFT-61T-250N       |                  | MKS-L            | MK/SFT-61-250N | APL SFT61-250N             |
|                    |                  | —                | —              | —                          |
| SFO-61(T)-250A     |                  | MKF-L-250        | MK/SFO-61-250A | APL SFO61-250A             |
|                    |                  | —                | —              | —                          |
| STO-21(T)-205N(-5) |                  | MK-L             | MK/STO-21-205N | APL STO21-205N             |
|                    |                  | —                | —              | —                          |
| SFO-41(T)-187N(-8) | MKF-L-187        | MK/SFO-41-187N   | APL SFO41-187N |                            |
|                    | —                | —                | —              |                            |

Note: Contact JST for fully automatic crimping applicator.

| Contact            | Crimping machine | Applicator       |                  |                            |
|--------------------|------------------|------------------|------------------|----------------------------|
|                    |                  | Crimp applicator | Dies             | Crimp applicator with dies |
| STO-01(T)-187N(-8) | AP-K2N           | MK-L             | MK/STO-01-187N   | APLMK STO01-187N           |
|                    |                  | —                | —                | —                          |
| STO-41(T)-187N(-8) |                  | MK-L             | MK/STO-41-187N   | APLMK STO41-187N           |
|                    |                  | —                | —                | —                          |
| STO-62T-187N       |                  | MK-L-187         | MK/STO-62-187N   | APLMK STO62-187N           |
|                    |                  | —                | —                | —                          |
| STO-82(T)-187N     |                  | MK-L-187         | MK/STO-82-187N   | APLMK STO82-187N           |
|                    |                  | —                | —                | —                          |
| STO-01(T)-110N(-8) |                  | MK-L             | MK/STO-01-110N   | APLMK STO01-110N           |
|                    |                  | —                | —                | —                          |
| STO-41(T)-110N(-8) | MK-L             | MK/STO-41-110N   | APLMK STO41-110N |                            |
|                    | —                | —                | —                |                            |

\*In using the products, refer to "Handling Precaution for Terminal and Connector" described on our website (Technical documents of Product information page).

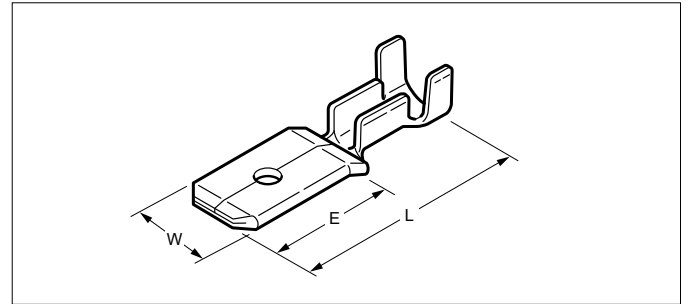
\*RoHS2 compliance

\*Dimensional unit: mm


\*Contact JST for details.

# TAB-ON-TAB TERMINAL

## 250 Tab-on tab type

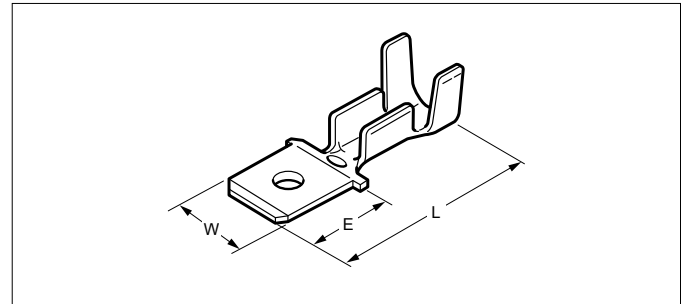



 Listed E70188


| Model No.          | Standard  | Applicable wire |          |                            | Material | Finish     | Dimensions(mm) |      |      |                       |                  | Q'ty/<br>reel |
|--------------------|---|-----------------|----------|----------------------------|----------|------------|----------------|------|------|-----------------------|------------------|---------------|
|                    |   | mm <sup>2</sup> | AWG #    | Insulation<br>O.D.<br>(mm) |          |            | W              | L    | E    | Material<br>thickness | Tab<br>thickness |               |
| <b>SOM-51-250</b>  |  | 0.5 to 2.0      | 20 to 14 | 2.6 to 3.8                 | Brass    | —          | 6.4            | 20.8 | 11.6 | 0.4                   | 0.8              | 5,000         |
| <b>SOM-51T-250</b> |   |                 |          |                            |          | Tin-plated |                |      |      |                       |                  |               |

RoHS2 compliance

## 187 Tab-on tab type



 Listed E70188

| Model No.          | Standard  | Applicable wire |          |                            | Material | Finish     | Dimensions(mm) |      |     |                       |                  | Q'ty/<br>reel |
|--------------------|---|-----------------|----------|----------------------------|----------|------------|----------------|------|-----|-----------------------|------------------|---------------|
|                    |   | mm <sup>2</sup> | AWG #    | Insulation<br>O.D.<br>(mm) |          |            | W              | L    | E   | Material<br>thickness | Tab<br>thickness |               |
| <b>SOM-21-187</b>  |  | 0.3 to 0.75     | 22 to 18 | 2.3 to 3.0                 | Brass    | —          | 4.8            | 17.2 | 6.4 | 0.5                   | 0.5              | 10,000        |
| <b>SOM-21T-187</b> |   |                 |          |                            |          | Tin-plated |                |      |     |                       |                  |               |

RoHS2 compliance

## Crimping machine, Applicator

| Contact              | Crimping<br>machine | Applicator       |               |                            |
|----------------------|---------------------|------------------|---------------|----------------------------|
|                      |                     | Crimp applicator | Dies          | Crimp applicator with dies |
| <b>SOM-51(T)-250</b> | AP-K2N              | MK-L             | MK/SOM-51-250 | APLMK SOM51-250            |
|                      |                     | —                | —             | —                          |

| Contact              | Crimping<br>machine | Applicator       |               |                            |
|----------------------|---------------------|------------------|---------------|----------------------------|
|                      |                     | Crimp applicator | Dies          | Crimp applicator with dies |
| <b>SOM-21(T)-187</b> | AP-K2N              | MK-L             | MK/SOM-21-187 | APLMK SOM21-187            |
|                      |                     | —                | —             | —                          |

Note: Contact JST for fully automatic crimping applicator.

\*In using the products, refer to "Handling Precaution for Terminal and Connector" described on our website (Technical documents of Product information page).

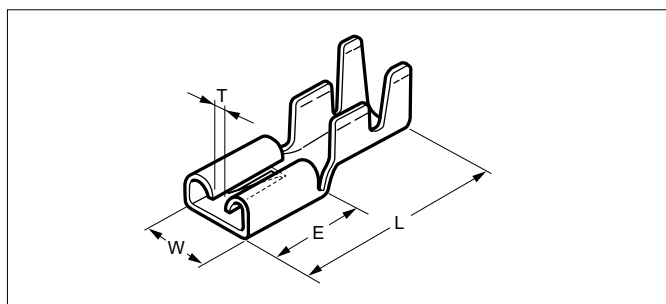
\*RoHS2 compliance

\*Dimensional unit: mm

\*Contact JST for details.

# TAB-IN/TAB-IN-TAB TERMINAL

## 250 Tab-in type



| Model No.    | Standard | Applicable wire |          |                      | Material | Finish     | Dimensions(mm) |      |     |           |                    |                 | Q'ty/reel |
|--------------|----------|-----------------|----------|----------------------|----------|------------|----------------|------|-----|-----------|--------------------|-----------------|-----------|
|              |          | mm <sup>2</sup> | AWG #    | Insulation O.D. (mm) |          |            | W              | L    | E   | T approx. | Material thickness | Mating tab      |           |
| STI-51-250N  |          | 0.5 to 2.0      | 20 to 14 | 2.6 to 3.8           | Brass    | —          | 7.5            | 19.2 | 7.7 | 0.9       | 0.32               | SIM-51 (T)-250N | 5,000     |
| STI-51T-250N |          |                 |          |                      |          | Tin-plated |                |      |     |           |                    |                 |           |

### RoHS2 compliance

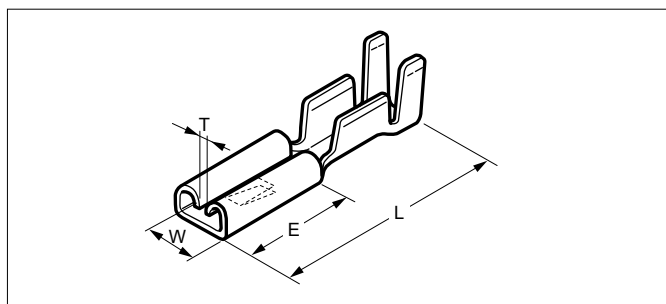
Note: 1. Combine a plated tab-in terminal with a plated tab and a non-plated tab-in terminal with a non-plated tab.

2. This terminal must be built into the model 250 tab-in housing which has numerous circuits, and it cannot be used independently.

Model 250 tab-on terminals, however, can be used independently.

3. The above case does not apply when we confirm the condition of application and judge that there is no problem.

## 110 Tab-in type



| Model No.    | Standard | Applicable wire |          |                      | Material | Finish     | Dimensions(mm) |      |     |           |                    |                 | Q'ty/reel |
|--------------|----------|-----------------|----------|----------------------|----------|------------|----------------|------|-----|-----------|--------------------|-----------------|-----------|
|              |          | mm <sup>2</sup> | AWG #    | Insulation O.D. (mm) |          |            | W              | L    | E   | T approx. | Material thickness | Mating tab      |           |
| STI-01-110N  |          | 0.3 to 0.5      | 22 to 20 | 2.1 to 2.8           | Brass    | —          | 3.7            | 15.3 | 6.3 | 0.7       | 0.25               | SIM-01 (T)-110A | 10,000    |
| STI-01T-110N |          |                 |          |                      |          | Tin-plated |                |      |     |           |                    |                 |           |
| STI-41-110N  |          | 0.5 to 1.25     | 20 to 16 | 2.6 to 3.5           | Brass    | —          | 3.7            | 15.3 | 6.3 | 0.7       | 0.25               | SIM-41 (T)-110B | 10,000    |
| STI-41T-110N |          |                 |          |                      |          | Tin-plated |                |      |     |           |                    |                 |           |

### RoHS2 compliance

Note: 1. Combine a plated tab-in terminal with a plated tab and a non-plated tab-in terminal with a non-plated tab.

2. This terminal must be built into the model 110 tab-in housing which has numerous circuits, and it cannot be used independently. Model 110 tab-on terminals, however, can be used independently.

## Crimping machine, Applicator

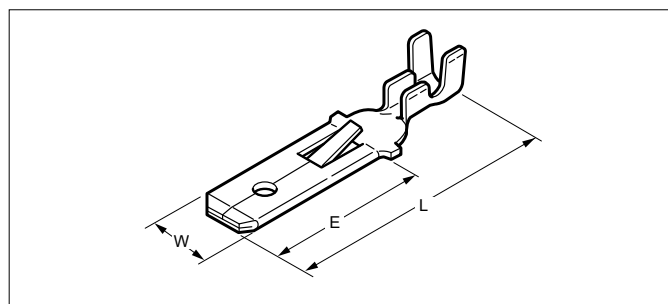
| Contact        | Crimping machine | Applicator       |                |                            |
|----------------|------------------|------------------|----------------|----------------------------|
|                |                  | Crimp applicator | Dies           | Crimp applicator with dies |
| STI-51(T)-250N | AP-K2N           | MK-L             | MK/STI-51-250N | APLMK STI51-250N           |
|                |                  | —                | —              | —                          |
| STI-01(T)-110N | AP-K2N           | MK-L             | MK/SIM-01-110N | APLMK SIM01-110N           |
|                |                  | —                | —              | —                          |

| Contact        | Crimping machine | Applicator       |                |                            |
|----------------|------------------|------------------|----------------|----------------------------|
|                |                  | Crimp applicator | Dies           | Crimp applicator with dies |
| STI-41(T)-110N | AP-K2N           | MK-L             | MK/STI-41-110N | APLMK STI41-110N           |
|                |                  | —                | —              | —                          |

Note: Contact JST for fully automatic crimping applicator.

# TAB-IN/TAB-IN-TAB TERMINAL

## 250 Tab-in tab type

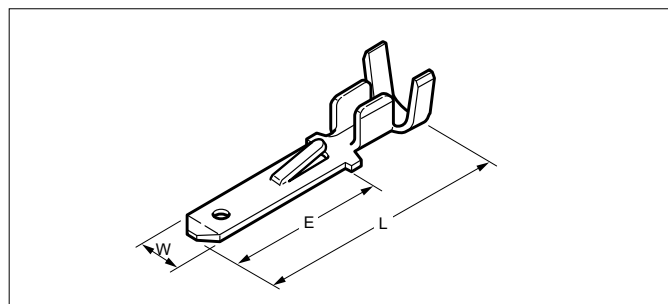



| Model No.            | Standard | Applicable wire |          |                            | Material | Finish     | Dimensions(mm) |      |      |                       |                  | Q'ty/<br>reel |
|----------------------|----------|-----------------|----------|----------------------------|----------|------------|----------------|------|------|-----------------------|------------------|---------------|
|                      |          | mm <sup>2</sup> | AWG #    | Insulation<br>O.D.<br>(mm) |          |            | W              | L    | E    | Material<br>thickness | Tab<br>thickness |               |
| <b>SIM-21-250</b>    |          | 0.3 to 0.75     | 22 to 18 | 2.2 to 3.2                 | Brass    | —          | 6.0            | 28.0 | 15.8 | 0.4                   | 0.84             | 5,000         |
| <b>SIM-21T-250</b>   |          |                 |          |                            |          | Tin-plated |                |      |      |                       |                  |               |
| <b>SIM-51-250N</b>   |          | 0.5 to 2.0      | 20 to 14 | 2.6 to 3.8                 |          | —          | 6.0            | 24.5 | 13.0 | 0.4                   |                  | 4,000         |
| <b>SIM-51T-250N</b>  |          |                 |          |                            |          | Tin-plated |                |      |      |                       |                  |               |
| <b>SIM-81PT-250N</b> |          | 1.25 to 3.5     | 16 to 12 | 3.0 to 4.0                 |          |            |                |      |      |                       | 3,000            |               |



RoHS2 compliance

Note: SIM-21 differs from SIM-51 in terminal size.

## 110 Tab-in tab type



 Listed E70188

| Model No.           | Standard  | Applicable wire |          |                            | Material | Finish     | Dimensions(mm) |      |      |                       |                  | Q'ty/<br>reel |       |
|---------------------|---|-----------------|----------|----------------------------|----------|------------|----------------|------|------|-----------------------|------------------|---------------|-------|
|                     |   | mm <sup>2</sup> | AWG #    | Insulation<br>O.D.<br>(mm) |          |            | W              | L    | E    | Material<br>thickness | Tab<br>thickness |               |       |
| <b>SIM-01-110A</b>  |  | 0.3 to 0.5      | 22 to 20 | 2.1 to 2.8                 | Brass    | —          | 2.8            | 20.6 | 12.0 | 0.5                   | 0.5              | 7,500         |       |
| <b>SIM-01T-110A</b> |   |                 |          |                            |          | Tin-plated |                |      |      |                       |                  |               |       |
| <b>SIM-41-110B</b>  |  | 0.5 to 1.25     | 20 to 16 | 2.6 to 3.5                 |          | —          | 2.8            | 20.6 | 12.0 | 0.5                   |                  | 0.5           | 7,500 |
| <b>SIM-41T-110B</b> |   |                 |          |                            |          | Tin-plated |                |      |      |                       |                  |               |       |

RoHS2 compliance

## Crimping machine, Applicator

| Contact               | Crimping<br>machine | Applicator       |                  |                            |
|-----------------------|---------------------|------------------|------------------|----------------------------|
|                       |                     | Crimp applicator | Dies             | Crimp applicator with dies |
| <b>SIM-21(T)-250</b>  | AP-K2N              | MK-L             | MK/SIM-21-250    | APLMK SIM21-250            |
|                       |                     | —                | —                | —                          |
| <b>SIM-51(T)-250N</b> |                     | MK-L             | MK/SIM-51-250N   | APLMK SIM51-250N           |
|                       |                     | —                | —                | —                          |
| <b>SIM-81PT-250N</b>  | MK-L                | MK/SIM-81-250N   | APLMK SIM81-250N |                            |
|                       | —                   | —                | —                |                            |

| Contact               | Crimping<br>machine | Applicator       |                |                            |
|-----------------------|---------------------|------------------|----------------|----------------------------|
|                       |                     | Crimp applicator | Dies           | Crimp applicator with dies |
| <b>SIM-01(T)-110A</b> | AP-K2N              | MK-L             | MK/SIM-01-110A | APLMK SIM01-110A           |
|                       |                     | —                | —              | —                          |
| <b>SIM-41(T)-110B</b> |                     | MK-L             | MK/SIM-41-110B | APLMK SIM41-110B           |
|                       |                     | —                | —              | —                          |

\*In using the products, refer to "Handling Precaution for Terminal and Connector" described on our website (Technical documents of Product information page).

\*RoHS2 compliance

\*Dimensional unit: mm

\*Contact JST for details.