

ONLY FOR REFERENCE

Standard Spec Sheet

| | |
|--------------------|---------------------|
| Mitsumi Model Name | STO-060A16XB |
| Mitsumi Model No. | R 66 7773 |
| Operating Force | 1.6N |
| Pcs/Reel | 20,000 |

This specification is only for reference. If you have any questions for the details, please contact SW engineering division.
For your adopting the products, the formal supply specification will be provided.

MITSUMI ELECTRIC CO.,LTD.

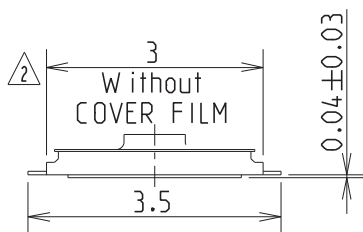
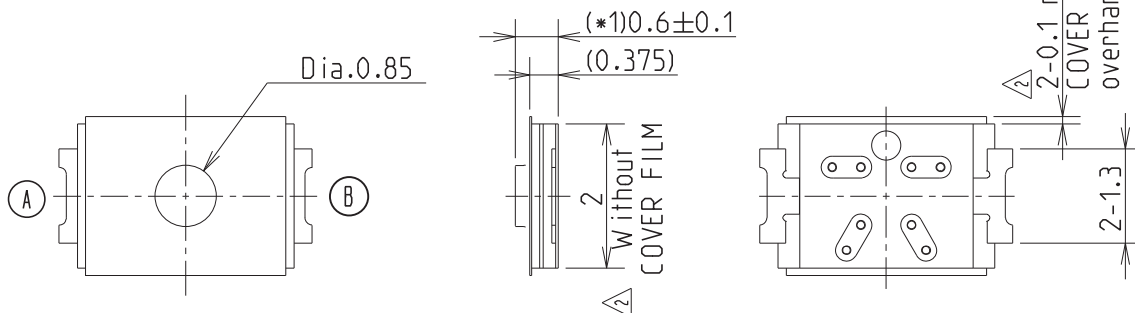
2-11-2, Tsurumaki, Tama-shi. Tokyo 206-8657 Japan.

SWITCH ENGINEERING SECTION

1049, Tateiwa, Iizuka-shi. Fukuoka 820-8533 Japan.

| | | | | | | |
|-----------------|---------------|--------------------------------|-----------------------|------------------------------------|-----------------------------------|----------------------------------|
| 02 | File no. 7773 | Specification | | Approved | Checked | Drawn |
| | | Tactile switch STO-060A16XB | | Apr.14 '15 SW ENG. Terashita | Apr.14 '15 SW ENG. Nakamura | Apr.14 '15 SW ENG. Liu Lei |
| Customer's name | | Customer's parts no. | General specification | Issued | | |
| - | | - | S66-1770 | Apr.14 '15 | | |

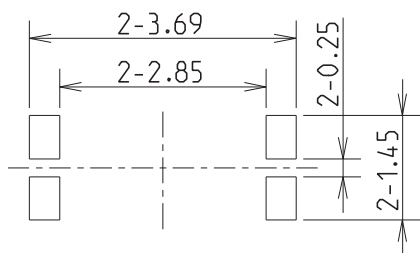
- 1) The items specified in this specification are prior to General specification.
- 2) When not specified in this specification the General specification is applied.



(*1)The switch height shall be measured with applying 5 gf load.

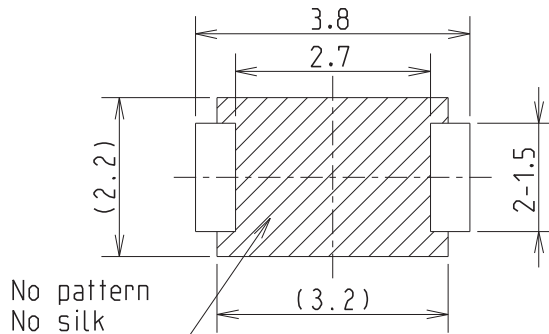
| | |
|--------------------|------------------------------------|
| Operating force | 1.6+/-0.5 N |
| Return force | 0.2 N min. |
| Click ratio | 40% min. |
| Travel | 0.13+/-0.05 mm |
| Contact resistance | 500 mohm max. |
| Max. rating | 20 mA 15 V DC △(Resistive load) |
| Min. rating | 10 μA 2 V DC (Resistive load) |
| Operating life | 500,000 cycles |

Reference solder stencil dimension



△ The thickness of solder stencil: 80 μm

△ Reference land dimension



△△ Circuit diagram



RoHS compliant
△ (2011/65/EU)

| | |
|------------------------------|---|
| Environmental classification | G |
| Parameter sheet result | N |
| Development class | 2 |

| | | | | | | | | |
|----------------|----------------|--|------------|------------|------------------------|----------------|----------------------|--|
| Rev. | △x11 | Changed Model name,Corrected errors. Add Return force | Jul.22 '15 | Higaki | Third angle projection | Scale △10:1 | Tolerance +/-0.15 | Assembly dwg. no. △△ 66-K337A 66-K337B |
| | △x9 | Add Cycle operation,Corrected errors. Changed Model Name,Model Code | May.15 '15 | Higaki | | | | |
| Product.manual | Inspect.manual | Model code | Code | Indent.no. | File no. | | | |
| Q66-0861 | I66-8591 | △ 1438 | R | 66 | 7773 | 02 | | |

| | | | | |
|-------------|---|--|--|--|
| 0771 | General specification Tactile switches | Approved Apr. 22, '15 SW eng. Terashita | Checked Jan. 27, '15 SW eng. Nakamura | Drawn Jan. 27, '15 SW eng. Ayaka. N |
| | STO series | Released | Jan. 27, 2015 | |
| | | | | |

1. General

1.1. Application

This specification is applied to Tactile switches named STO series.

1.2. Operating temperature range: -40 to +85 deg-C

1.3. Storage temperature range: -25 to +85 deg-C (Product level)
-20 to +50 deg-C (Taped condition)

1.4. Test conditions

Normal temperature; 5 to 35 deg-C, normal humidity; 45 to 85% RH.

If any doubt arises from judgement, tests and measurements shall be conducted under the following conditions.

Temperature 20+/- 2deg-C, humidity 65+/-5% RH, and air pressure 86 to 106 kPa.

2. Appearance and Construction

2.1. Dimensions: Specified on Product specifications.

2.2. Materials: Refer to Table-1.

2.3. Appearance: There shall be no defects that affect the performance of the products such as crack, scratch, dirt, discoloration, air bubble of ACTUATOR, and contamination.

2.4. Cross section view:

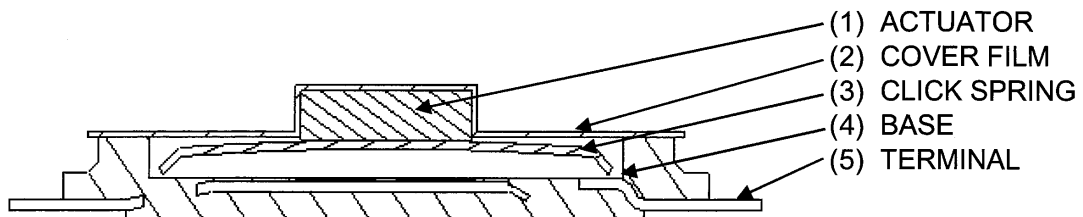


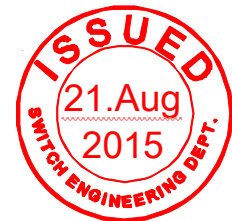
Fig. 1: Cross section of product

Table-1

| Components | Material | Note |
|------------------|-----------------|-----------|
| (1) ACTUATOR | 9T Nylon | |
| (2) COVER FILM | 9T Nylon | |
| (3) CLICK SPRING | Stainless steel | Ag plated |
| (4) BASE | 9T Nylon | |
| (5) TERMINAL | Phosphor bronze | Ag plated |

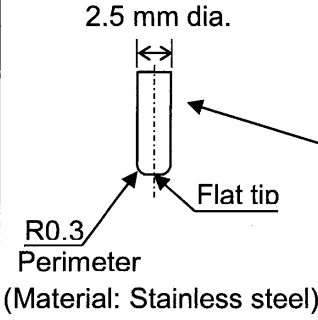
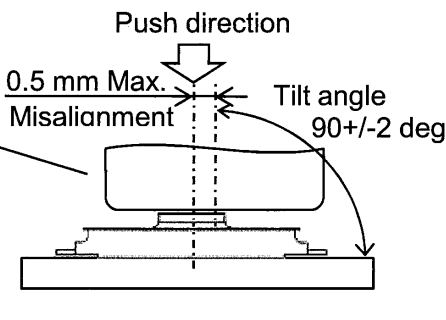
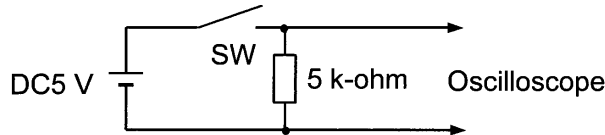
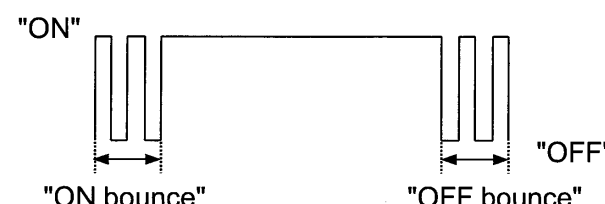
3. Rating

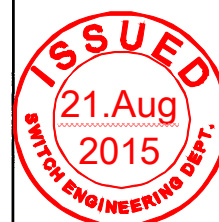
Specified on Product specification.



| | | | | | | | |
|----------|------|------------|---------------|----------|-----------|-------------|------|
| Revision | | | | Code | Division | File No. | |
| | | | | S | 66 | 1770 | △ 04 |
| | | | | | | | |
| | △ x1 | Jul.31.'15 | Change design | | Kajiya | | |

4. Electric Characteristics

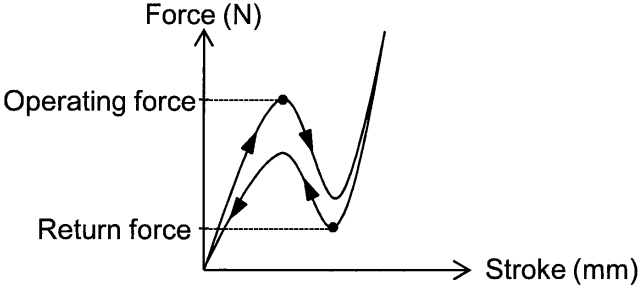
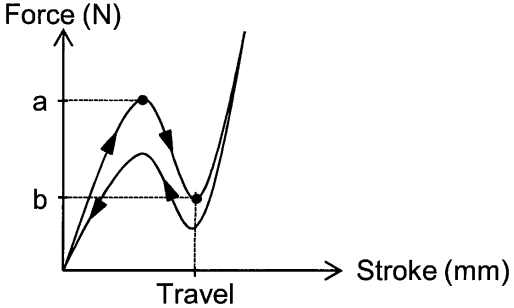

| Item | Test conditions | Criteria |
|-------------------------------|---|---|
| 4.1. Contact resistance | Measurements shall be made under the conditions shown in Fig. 3. 1) Load: 2 times of the specified standard operating force. 2) Measurement conditions: Contact resistance meter at 20 mV Max. and 10uA to 10mA.   Fig. 2: Push rod Fig. 3: Measurement conditions | Specified on Product specifications. |
| 4.2. Insulation resistance | Measurements shall be made under the following conditions. 1) Applied voltage: 100 V, DC 2) Duration: 1 min. 3) Applied position: Between terminals. | 50 M-ohm Min. |
| 4.3. Withstanding voltage | Measurements shall be made under the following conditions. 1) Applied voltage: 100 V, AC (50/60 Hz) 2) Duration: 1 min. 3) Leak current: 2 mA 4) Applied position: Between terminals. | There shall be no damage and breakdown. |
| 4.4. Bounce | Measurements shall be made under the conditions shown in Fig. 3. Bounce time at "ON" and "OFF" shall be measured under the following conditions. 1) Circuit: Refer to Fig. 4. 2) Load: 1.5 times of the specified standard operating force. 3) Frequency of operation: 3 to 4 times/sec.  Fig. 4: Circuit  Fig. 5: Bounce | ON bounce: 10 ms Max. OFF bounce: 10 ms Max. |

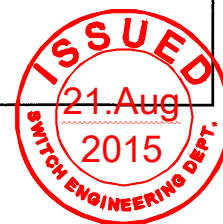


File number

1770

5. Mechanical Characteristics

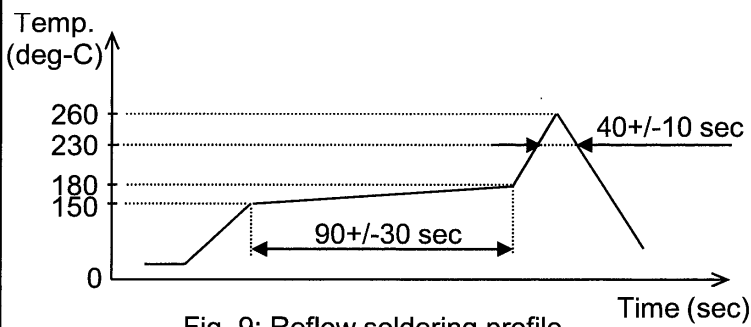
| Item | Test conditions | Criteria |
|---|---|--|
| 5.1. Operating force 5.2. Return force | Measurements shall be made under the conditions shown in Fig. 3 just after striking 10 times lightly. 1) Measurement speed: 0.5 mm/sec. 2) Limit load to apply: 1.5 to 2 times of the specified standard operating force.  Fig. 6: Force-Stroke curve | Specified on Product specifications. |
| 5.3. Click ratio 5.4. Travel | Refer to 5.1 and 5.2 for the measurement conditions. Click ratio = $(a - b) / a \times 100\%$  Fig. 7 Force-Stroke curve | Specified on Product specifications. |
| 5.5. Stopper strength | Measurements shall be made under the conditions shown in Fig. 3 and at returned condition. Load: 50 N Duration: 15 sec. | There shall be no electrical and mechanical abnormality. |
| 5.6. Shear strength | Measurements shall be made just after applying static load under the following conditions. 1) Load: 3 N 2) Duration: 15 sec. Test shall be made after two times of reflow soldering.  Fig. 8: Shear strength test | |



File number

1770

5. Mechanical Characteristics

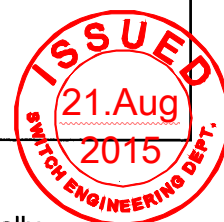
| Item | Test conditions | Criteria |
|--|--|--|
| 5.7. Vibration resistance | Measurements shall be made after testing under the following conditions. 1) Vibration frequency range: 10 to 55 Hz 2) Amplitude: 1.5 mm (peak-to-peak) 3) Sweep ratio: 10-55-10 Hz in approx. 1 min. 4) Frequency sweep mode: Logarithmic or Liner sweep 5) Direction of vibration: 3 orthogonal directions including the direction of operation. 6) Duration: 2 hr each (6 hr in total) | There shall be no electrical and mechanical abnormality. |
| 5.8. Impact resistance | Measurements shall be made after testing under the following conditions. 1) Acceleration: 735 m/s^2 2) Duration: 6 msec 3) Test direction: 6 directions 4) Number of test: 3 times per direction (18 times in total) | There shall be no electrical and mechanical abnormality. |
| 5.9. Solderability | Measurements shall be made under the following conditions. 1) Solder temperature: $230 \pm 5 \text{ deg-C}$ 2) Dipping time: $3 \pm 0.5 \text{ sec}$. 3) Composition of solder: Sn-3.0Ag-0.5Cu 4) Soldering flux: Rosin 25%, Alcohol 75% | More than 75% of dipped part shall be covered with solder. |
| 5.10. Soldering heat resistance | Measurements shall be made after reflow soldering under the following conditions. 1) Heating method: Far-infrared radiation heating 2) Temperature profile: As shown in below. 3) Allowable soldering process: 2 times Max.  <p style="text-align: center;">Fig. 9: Reflow soldering profile</p> | There shall be no abnormality such as marked looseness, drop-off, and assured 4. Electrical Characteristics. Operating force: Item 5.1. |

5.11. Precautions for soldering

- 1) This product is designed for reflow soldering. Please do not solder manually.
- 2) Do not wash the product with solvent or the like.
- 3) The soldering conditions will be different depending on reflow soldering machines. Conditions of soldering shall be confirmed under actual production conditions.
- 4) Reflow soldering shall be performed in shorter time and at lower temperature. Otherwise click ratio may be decreased.
- 5) Please set the proper volume of solder in order to prevent soldering flux ingress and float of the products.
- 6) Please do not apply soldering flux to the terminals and mounting surface of PWB/FPC.
- 7) Note that if the load is applied to the terminals during soldering it might cause deformation and defects in electrical performance.

File number

1770

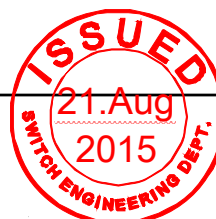


6. Durability

| Item | Test conditions | Criteria |
|------------------------|--|--|
| 6.1. Operating life | Measurements shall be made after testing under the following conditions. 1) Electrical load: Rated load or no load. 2) Rate of operation: 2 cycles/sec. 3) Depression: The maximum value of specified operating force. 4) Cycles of operation: Specified on the product specification. | Contact resistance: 20 ohm Max. Insulation resistance: 10 M-ohm Min. Withstanding voltage: Item 4.3. Bounce (ON/OFF): 20 msec Max. Operating force: Within +/-30% of specified initial value. Travel: Item 5.4. |

7. Environmental

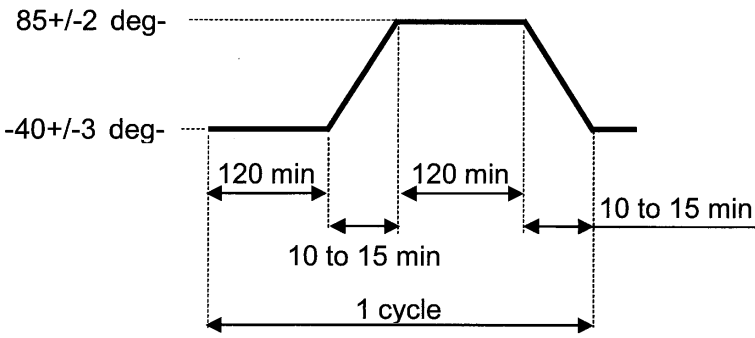
| Item | Test conditions | Criteria |
|-----------------------------|---|---|
| 7.1. Humidity resistance | Following the test set forth below the sample shall be left in normal temperature and humidity conditions for 1 hr before measurements are made. Water drops shall be removed. 1) Temperature: 65+/-2 deg-C, Humidity: 90 to 96% RH 2) Duration: 96+/-5 hr | Contact resistance: 1 ohm Max. Insulation resistance: 10 M-ohm Min. |
| 7.2. Heat resistance | Following the test set forth below the sample shall be left in normal temperature and humidity conditions for 1 hr before measurements are made. 1) Temperature: 85+/-3 deg-C 2) Duration: 96+/-5 hr | Withstanding voltage: Item 4.3. Bounce (ON/OFF): 20 msec Max. |
| 7.3. Cold resistance | Following the test set forth below the sample shall be left in normal temperature and humidity conditions for 1 hr before measurements are made. Water drops shall be removed. 1) Temperature: -40+/-3 deg-C 2) Duration: 96+/-5 hr | Operating force: Within +/-30% of specified initial value. Travel: Item 5.4. |



File number

1770

7. Environmental

| Item | Test conditions | Criteria |
|-----------------------------|---|--|
| 7.4. Temperature cycling | <p>Following continuous 5 cycles of the temperature cycling test set forth below, the sample shall be left in normal temperature and humidity conditions for 1hr before measurements are made.</p>  <p>Fig. 10: Temperature cycling test conditions</p> | <p>Contact resistance: 1 ohm Max.</p> <p>Insulation resistance: 10 M-ohm Min.</p> <p>Withstanding voltage: Item 4.3.</p> <p>Bounce (ON/OFF): 20 msec Max.</p> <p>Operating force: Within +/-30% of specified initial value.</p> <p>Travel: Item 5.4.</p> |
| 7.5. Water resistance | <p>Ingress shall be confirmed after the test under the following conditions based on IPX7.</p> <ol style="list-style-type: none"> 1) Depth of immersion: 1 m 2) Duration of immersion: 30 min. | <p>There shall be no ingress inside of the product.</p> |

8. Use Condition

8.1. Operating temperature range: Refer to the item 1.2.

(Temperature range which the product is ON and OFF electrically.)

There shall be no freezing and condensation.

8.2. Using environment

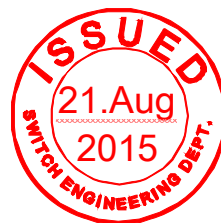
- 1) Do not expose the products to corrosive gas such as sulfur gas and salty wind.
- 2) Visible dust must be cleared.
- 3) Please do not apply excessive load to the products to avoid deformation and deterioration.

9. Storage Condition

9.1. Storage temperature range: Refer to the item 1.3. There shall be no freezing and condensation.

9.2. Environment

- 1) Do not expose the products to corrosive gas such as sulfur gas, and salty wind.
- 2) Visible dust must be cleared.
- 3) Please do not apply excessive load to the products to avoid deformation and deterioration.



File number

1770

9.3. Storage method

- 1) Products shall be packed in an airtight plastic bag and stored in cool place avoiding direct sunshine.
- 2) Do not stack too many switches for strafe. Shall be free from high temperature and high humidity.
- 3) Do not store the products in the state of applying load on it's operation area.
- 4) Products should be used within six months after the date of delivery.

10. Precautions in Use

- 10.1. Do not clean the products with a solvent or the like.
- 10.2. Do not use the products with beyond the rated current and voltage.
- 10.3. Do not apply excessive load to the terminals and the operating part.
- 10.4. Larger static load than specified and/or shock shall not be applied to the operating part.
- 10.5. After mounting the products on PWB/FPC, please do not stack too many PWB/FPC in order to avoid excessive load to the switch mounted area.
- 10.6. The dimensions of a pattern on PWB/FPC shall refer to the recommended dimensions in Product specifications.
- 10.7. If you use this product in one of the following environmental conditions, progress of sulfuration and oxidization on the contact part (silver) will be accelerated, which may cause contact failure.
Therefore, be careful about the operation environment.
 - 1) Around a sulfarate hot spring where sulfide gas is generated.
 - 2) In case this product is always used in a place where exhaust gas from automobiles exist.
- 10.8. Do not push the cover film of products with something sharp.
- 10.9. Please design and assemble your unit not to apply over load to the switch.
- 10.10. Please let us know beforehand if you use other shape of pushing rod than the shape described in Fig. 2.
- 10.11. Please be careful on designing and handling especially when the switch is being built into the unit, not to add side force (static or impact) to the ACTUATOR as shown below (Fig. 11), because the ACTUATOR might deform or come off.

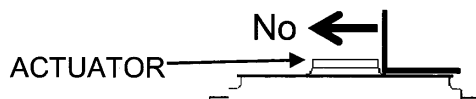
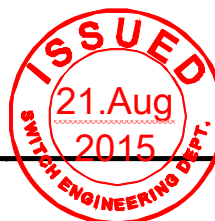


Fig. 11 Load and impact from side direction

- 10.12. Unless provided for otherwise, the products have been designed and manufactured for application in equipment and devices which are sold to end users in the market, including audio-visual equipment, electrical home appliances, office machines, information and communication equipment, and amusement equipment.
The products are not intended for use in, and must not be used for, any application for nuclear equipment, driving equipment for aerospace or any other unauthorized use. With the exception of the abovementioned prohibited applications, please contact us (MITSUMI) and/or evaluate the total system regarding applicability for applications involving high levels of safety and liability such as medical equipment, burglar alarm equipment, disaster prevention equipment and undersea equipment. Please also incorporate fail-safe design, protection and redundant circuitry, malfunction protection, and/or fire protection into the complete system to ensure safety and reliability of the total system.
- 10.13. If you intend to use the products for automotive, please let us know beforehand.



File number

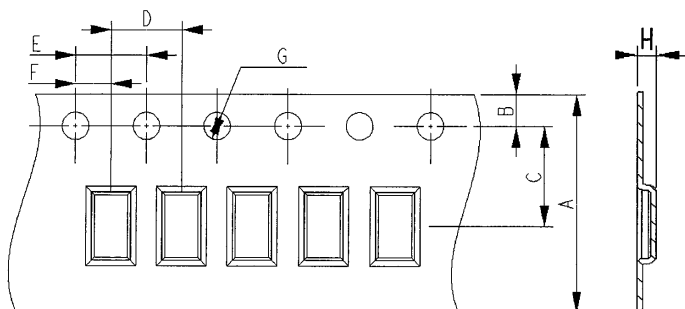
1770

11. Packing Specification

11.1. Dimensions of carrier tape are as shown below.

11.2. Taping rule

- 1) Tape winding direction is in clockwise.
(When pulling the tape toward, feeding holes should be located on the right side.)
- 2) Feeding holes shall not be covered with the cover tape.
The cover tape shall not be run off the edge of the carrier tape.
- 3) 160 mm or more from the end of trailer tape part shall be empty.
- 4) The leader part shall be 400 mm or more and it should include 100 mm of empty part.
The leader part shall have 20 to 30 mm of un-sealed cover tape.
- 5) The top tape of the leader part shall be stuck on the side of the reel by 30 to 50 mm using adhesive tape.
- 6) Peeling strength of cover tape from carrier tape is 0.1 to 1.3 N at 165 to 180 deg.
- 7) Bar-code label and Mitsumi label shall be stuck on the side of the reel.
- 8) The products shall free drop from the reversed carrier tape without cover tape after pressing at 0.1 to 0.2 N force.
- 9) Continuous two missing switches shall not be allowed.
Total number of missing switches shall be 0.1% or less of the packed quantity per reel.
- 10) The direction of products in the pockets is not specified.
- 11) 20,000 switches shall be packed in a reel.



| A | B | C | D | E | F | G | H |
|----|------|-----|---------|---------|---|-----------------|---|
| 12 | 1.75 | 5.5 | 4+/-0.1 | 4+/-0.1 | 2 | 1.5 dia +0.1/-0 | 1 |

Fig. 12 Carrier tape dimensions

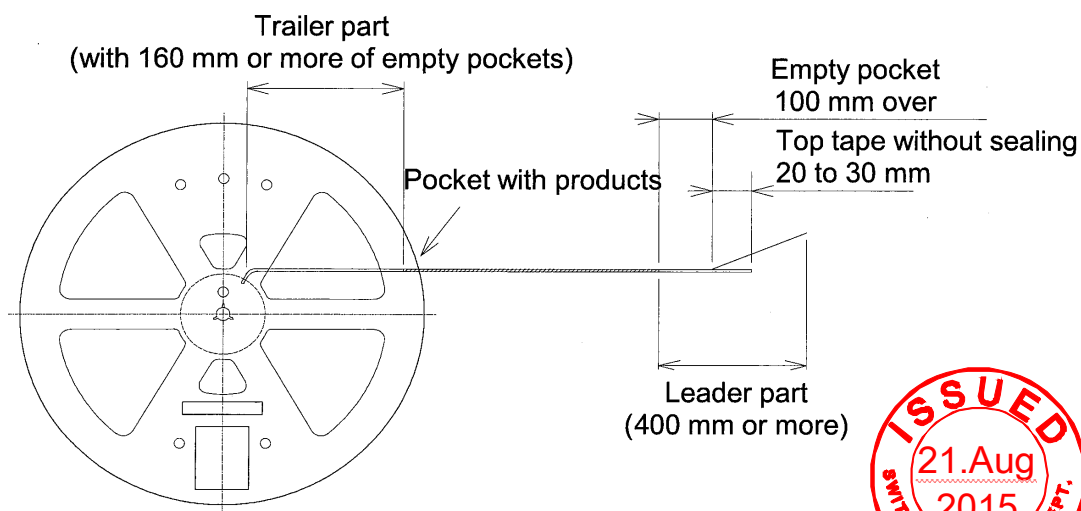
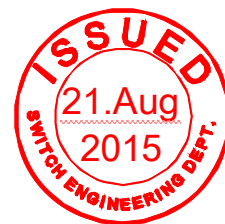


Fig. 13 Taping specification

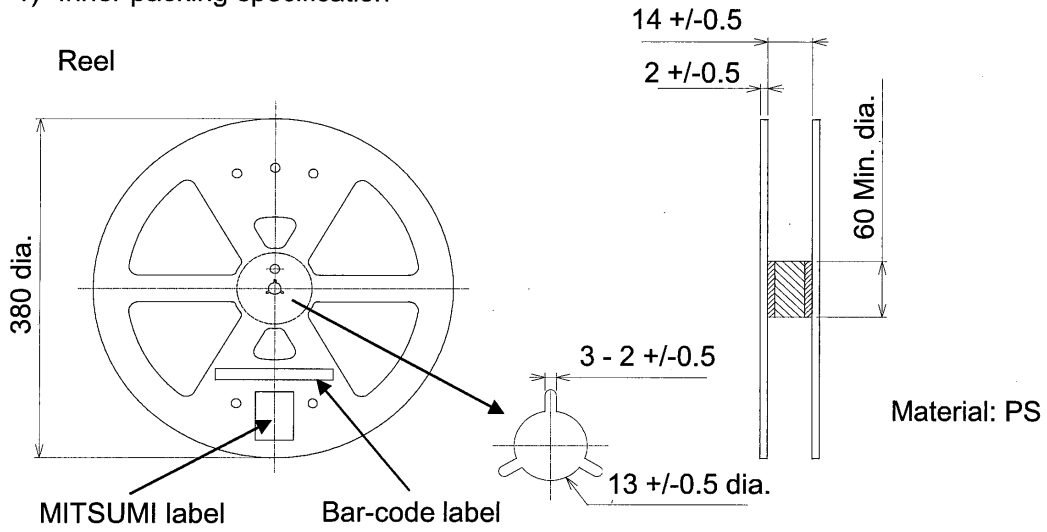


File number

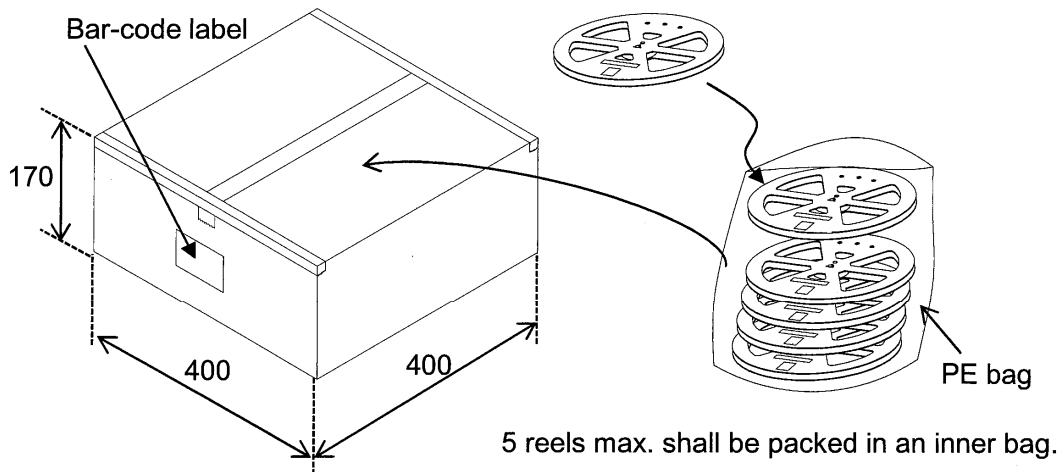
1770

12. Packing Specification

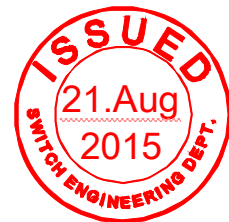
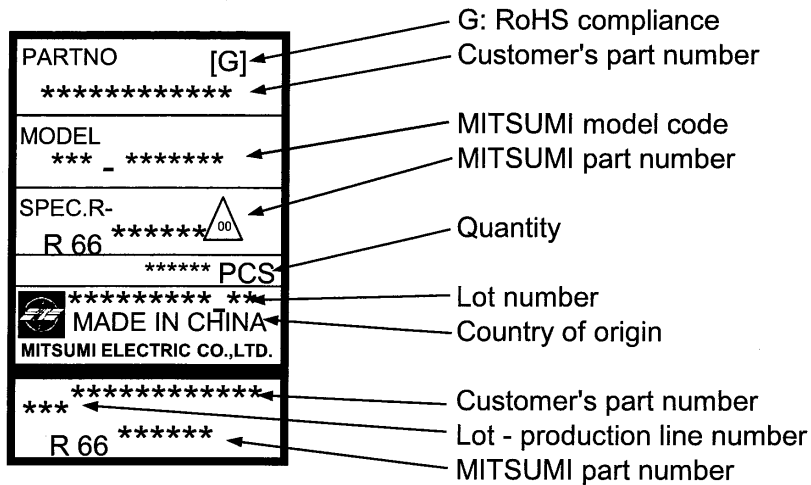
1) Inner packing specification



2) Outer box specification



3) MITSUMI label specification



File number
1770